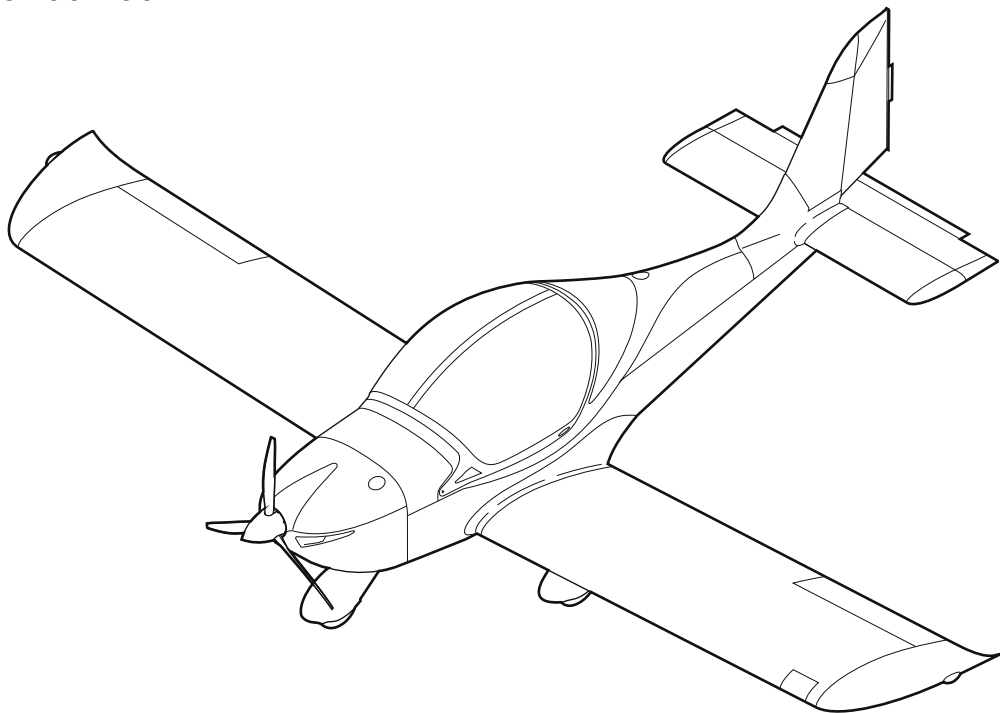


Evektor SportStar RTC

Illustrated Parts Catalogue

SPORTSTAR-0396G-02712-00

Issue No: 002.00



Publisher:
Evektor, spol. s r.o.
Letecká 1008
686 04 Kunovice

Manufacturer:
Evektor-Aerotechnik, a.s.
Okružní 234
293 06 Bradlec

SportStar RTC

List of pages or data modules

Table of Contents

	Page
SportStar RTC - List of pages or data modules.....	1

Index of Tables

	Page
1 References.....	1

References

Table 1 References

Data module/Technical publication	Title
None	

List of Effective Data Modules

The listed documents are included in issue 002, dated 2019-01-04, of this publication.

C = Changed data module

N = New data module

Document title	Data module code	Issue date	Issue number	No. of pages
SportStar RTC - List of pages or data modules	SPORTSTAR-A-00-00-00-00A-002A-A	N	2019-01-04 002.00	12
SportStar RTC - Change record	SPORTSTAR-A-00-00-00-00A-00TA-A	N	2019-01-04 002.00	1
SportStar RTC - List of abbreviations	SPORTSTAR-A-00-00-00-00A-005A-A	N	2019-01-04 002.00	1
SportStar RTC - Table of contents	SPORTSTAR-A-00-00-00-00A-009A-A	N	2019-01-04 002.00	7
SportStar RTC - Introduction	SPORTSTAR-A-00-00-00-00A-018A-A	N	2019-01-04 002.00	10
SportStar RTC - Numerical index	SPORTSTAR-A-00-00-00-00A-942A-A	N	2019-01-04 002.00	125
Aircraft ground equipment - Illustrated parts data	SPORTSTAR-A-10-00-01-01A-941A-D	N	2019-01-04 002.00	5
Aircraft identification plate - Illustrated parts data	SPORTSTAR-A-11-20-01-01A-941A-D	N	2019-01-04 002.00	2

Applicability: All

SPORTSTAR-A-00-00-00-00A-002A-A

Illustrated Parts Catalogue

Document title	Data module code	Issue date	Issue number	No. of pages
Shield set for winter operation - Illustrated parts data	SPORTSTAR-A-12-31-00-01A-941A-D	N 2019-01-04	002.00	3
Heating and venting system - Illustrated parts data	SPORTSTAR-A-21-00-00-01A-941A-D	N 2019-01-04	002.00	4
Static discharging - Illustrated parts data	SPORTSTAR-A-23-60-00-01A-941A-D	N 2019-01-04	002.00	3
DC generation - Illustrated parts data	SPORTSTAR-A-24-30-00-01A-941A-D	N 2019-01-04	002.00	6
Rectifier capacitor - Illustrated parts data	SPORTSTAR-A-24-30-01-01A-941A-D	N 2019-01-04	002.00	3
Voltmeter - Illustrated parts data	SPORTSTAR-A-24-30-02-01A-941A-D	N 2019-01-04	002.00	3
Battery Forte 12200 - Illustrated parts data	SPORTSTAR-A-24-30-03-01A-941A-D	N 2019-01-04	002.00	2
DC generation with auxiliary generator - Illustrated parts data	SPORTSTAR-A-24-31-00-01A-941A-D	N 2019-01-04	002.00	7
DC generation with auxiliary generator - Illustrated parts data	SPORTSTAR-A-24-31-00-01B-941A-D	N 2019-01-04	002.00	7
DC generation with auxiliary generator - Illustrated parts data	SPORTSTAR-A-24-31-00-01C-941A-D	N 2019-01-04	002.00	7
External power - Illustrated parts data	SPORTSTAR-A-24-40-00-01A-941A-D	N 2019-01-04	002.00	5
Circuit breaker installation - Illustrated parts data	SPORTSTAR-A-24-60-01-01A-941A-D	N 2019-01-04	002.00	3
Avionics switch - Illustrated parts data	SPORTSTAR-A-24-60-02-01A-941A-D	N 2019-01-04	002.00	3
Avionics switch - Illustrated parts data	SPORTSTAR-A-24-60-02-01B-941A-D	N 2019-01-04	002.00	3
Grounding - airplane - Illustrated parts data	SPORTSTAR-A-24-70-01-01A-941A-D	N 2019-01-04	002.00	3
Grounding - rudder and flaps control - Illustrated parts data	SPORTSTAR-A-24-70-02-01A-941A-D	N 2019-01-04	002.00	3
Grounding - elevator and aileron control - Illustrated parts data	SPORTSTAR-A-24-70-03-01A-941A-D	N 2019-01-04	002.00	4

Applicability: All

SPORTSTAR-A-00-00-00-00A-002A-A

Illustrated Parts Catalogue

Document title	Data module code	Issue date Issue number	No. of pages
Pilot seat - Illustrated parts data	SPORTSTAR-A-25-10-01-01A-941A-D	N 2019-01-04 002.00	3
Safety harness - Illustrated parts data	SPORTSTAR-A-25-10-02-01A-941A-D	N 2019-01-04 002.00	3
Seat heating - Illustrated parts data	SPORTSTAR-A-25-10-03-01A-941A-D	N 2019-01-04 002.00	3
Interior panels and equipment - Illustrated parts data	SPORTSTAR-A-25-11-00-01A-941A-D	N 2019-01-04 002.00	5
Armrest - Illustrated parts data	SPORTSTAR-A-25-11-01-01A-941A-D	N 2019-01-04 002.00	2
Flaps lever rubber sleeve - Illustrated parts data	SPORTSTAR-A-25-11-02-01A-941A-D	N 2019-01-04 002.00	2
Interior panels - Illustrated parts data	SPORTSTAR-A-25-11-03-01A-941A-D	N 2019-01-04 002.00	3
Carpets - Illustrated parts data	SPORTSTAR-A-25-11-04-01A-941A-D	N 2019-01-04 002.00	3
Canopy arm rest - Illustrated parts data	SPORTSTAR-A-25-11-05-01A-941A-D	N 2019-01-04 002.00	2
Interior covers - Illustrated parts data	SPORTSTAR-A-25-11-06-01A-941A-D	N 2019-01-04 002.00	2
Control stick sleeve - Illustrated parts data	SPORTSTAR-A-25-11-07-01A-941A-D	N 2019-01-04 002.00	2
Baggage compartment upholstery - Illustrated parts data	SPORTSTAR-A-25-50-01-01A-941A-D	N 2019-01-04 002.00	2
Baggage compartment equipment - Illustrated parts data	SPORTSTAR-A-25-50-02-01A-941A-D	N 2019-01-04 002.00	3
Emergency - Illustrated parts data	SPORTSTAR-A-25-60-00-01A-941A-D	N 2019-01-04 002.00	3
AK-451 ELT - Illustrated parts data	SPORTSTAR-A-25-60-01-01A-941A-D	N 2019-01-04 002.00	4
Artex ME406 ELT - Illustrated parts data	SPORTSTAR-A-25-60-02-01A-941A-D	N 2019-01-04 002.00	5
Kannad AF Integra ELT - Illustrated parts data	SPORTSTAR-A-25-60-03-01A-941A-D	N 2019-01-04 002.00	4

Applicability: All

SPORTSTAR-A-00-00-00-00A-002A-A

Illustrated Parts Catalogue

Document title	Data module code	Issue date	Issue number	No. of pages
Parachute rescue system Magnum Speed Soft 601 - Illustrated parts data	SPORTSTAR-A-25-60-04-01A-941A-D	N 2019-01-04	002.00	5
Hand fire extinguisher - Illustrated parts data	SPORTSTAR-A-26-20-01-01A-941A-D	N 2019-01-04	002.00	3
Hand fire extinguisher - Illustrated parts data	SPORTSTAR-A-26-20-01-01B-941A-D	N 2019-01-04	002.00	3
Roll control - Illustrated parts data	SPORTSTAR-A-27-10-00-01A-941A-D	N 2019-01-04	002.00	3
Control stick - Illustrated parts data	SPORTSTAR-A-27-10-01-01A-941A-D	N 2019-01-04	002.00	3
Pull-rod in the cockpit - Illustrated parts data	SPORTSTAR-A-27-10-02-01A-941A-D	N 2019-01-04	002.00	2
Connecting pull-rod - Illustrated parts data	SPORTSTAR-A-27-10-03-01A-941A-D	N 2019-01-04	002.00	2
Pull-rod inside wing - Illustrated parts data	SPORTSTAR-A-27-10-04-01A-941A-D	N 2019-01-04	002.00	3
Bellcrank - Illustrated parts data	SPORTSTAR-A-27-10-05-01A-941A-D	N 2019-01-04	002.00	3
Aileron control pull-rod - Illustrated parts data	SPORTSTAR-A-27-10-06-01A-941A-D	N 2019-01-04	002.00	3
Foot control countershaft - Illustrated parts data	SPORTSTAR-A-27-20-01-01A-941A-D	N 2019-01-04	002.00	3
Foot control countershaft - Illustrated parts data	SPORTSTAR-A-27-20-01-01B-941A-D	N 2019-01-04	002.00	3
Foot control pedals - Illustrated parts data	SPORTSTAR-A-27-20-02-01A-941A-D	N 2019-01-04	002.00	3
Foot control pedals - Illustrated parts data	SPORTSTAR-A-27-20-02-01B-941A-D	N 2019-01-04	002.00	3
Control cable installation - Illustrated parts data	SPORTSTAR-A-27-20-03-01A-941A-D	N 2019-01-04	002.00	3
Foot pedal position setting - Illustrated parts data	SPORTSTAR-A-27-20-04-01A-941A-D	N 2019-01-04	002.00	3
Foot pedal position setting - Illustrated parts data	SPORTSTAR-A-27-20-04-01B-941A-D	N 2019-01-04	002.00	4

Applicability: All

SPORTSTAR-A-00-00-00-00A-002A-A

Illustrated Parts Catalogue

Document title	Data module code	Issue date Issue number	No. of pages
Pitch control - Illustrated parts data	SPORTSTAR-A-27-30-00-01A-941A-D	N 2019-01-04 002.00	3
Pitch control countershaft - Illustrated parts data	SPORTSTAR-A-27-30-01-01A-941A-D	N 2019-01-04 002.00	2
Pull-rod in the cockpit - Illustrated parts data	SPORTSTAR-A-27-30-02-01A-941A-D	N 2019-01-04 002.00	2
Two-armed lever - Illustrated parts data	SPORTSTAR-A-27-30-03-01A-941A-D	N 2019-01-04 002.00	3
Pull-rod in the fuselage - front - Illustrated parts data	SPORTSTAR-A-27-30-04-01A-941A-D	N 2019-01-04 002.00	2
Rocker arm - Illustrated parts data	SPORTSTAR-A-27-30-05-01A-941A-D	N 2019-01-04 002.00	2
Pull-rod in the fuselage - aft - Illustrated parts data	SPORTSTAR-A-27-30-06-01A-941A-A	N 2019-01-04 002.00	3
Pitch trim - Illustrated parts data	SPORTSTAR-A-27-31-00-01A-941A-D	N 2019-01-04 002.00	5
Stall warning system - Illustrated parts data	SPORTSTAR-A-27-32-00-01A-941A-D	N 2019-01-04 002.00	4
Flaps control unit - Illustrated parts data	SPORTSTAR-A-27-50-01-01A-941A-D	N 2019-01-04 002.00	3
Flaps control pull-rod - Illustrated parts data	SPORTSTAR-A-27-50-02-01A-941A-D	N 2019-01-04 002.00	3
Flaps control torsion shaft - Illustrated parts data	SPORTSTAR-A-27-50-03-01A-941A-D	N 2019-01-04 002.00	3
Fuel system - Illustrated parts data	SPORTSTAR-A-28-00-00-01A-941A-D	N 2019-01-04 002.00	8
Fuel system - Illustrated parts data	SPORTSTAR-A-28-00-00-01B-941A-D	N 2019-01-04 002.00	8
Flight clock Mitchell - Illustrated parts data	SPORTSTAR-A-31-20-01-01A-941A-D	N 2019-01-04 002.00	3
Flight clock LC-2 - Illustrated parts data	SPORTSTAR-A-31-20-02-01A-941A-D	N 2019-01-04 002.00	3
Flight clock SC-5 - Illustrated parts data	SPORTSTAR-A-31-20-03-01A-941A-D	N 2019-01-04 002.00	3

Applicability: All

SPORTSTAR-A-00-00-00-00A-002A-A

Illustrated Parts Catalogue

Document title	Data module code	Issue date	Issue number	No. of pages
Canopy closed signalling - Illustrated parts data	SPORTSTAR-A-31-50-01-01A-941A-D	N 2019-01-04	002.00	3
Wing flaps retraction signalling - Illustrated parts data	SPORTSTAR-A-31-50-02-01A-941A-D	N 2019-01-04	002.00	4
Parking brake signalling - Illustrated parts data	SPORTSTAR-A-31-50-03-01A-941A-D	N 2019-01-04	002.00	3
Main landing gear and doors - Illustrated parts data	SPORTSTAR-A-32-10-00-01A-941A-D	N 2019-01-04	002.00	4
Main landing gear and doors - Illustrated parts data	SPORTSTAR-A-32-10-00-01B-941A-D	N 2019-01-04	002.00	4
Main landing gear wheel pant - Illustrated parts data	SPORTSTAR-A-32-10-01-01A-941A-D	N 2019-01-04	002.00	3
Main landing gear wheel pant - Illustrated parts data	SPORTSTAR-A-32-10-01-01B-941A-D	N 2019-01-04	002.00	3
Nose landing gear and doors - Illustrated parts data	SPORTSTAR-A-32-20-00-01A-941A-D	N 2019-01-04	002.00	4
Nose landing wheel pant - Illustrated parts data	SPORTSTAR-A-32-20-01-01A-941A-D	N 2019-01-04	002.00	3
Nose wheel - Illustrated parts data	SPORTSTAR-A-32-40-01-01A-941A-D	N 2019-01-04	002.00	3
Goodyear tire installation - Illustrated parts data	SPORTSTAR-A-32-40-02-01A-941A-D	N 2019-01-04	002.00	2
Wheel with brake - Illustrated parts data	SPORTSTAR-A-32-40-03-01A-941A-D	N 2019-01-04	002.00	3
Wheel with brake - Matco - Illustrated parts data	SPORTSTAR-A-32-40-04-01A-941A-D	N 2019-01-04	002.00	4
Brake system - Illustrated parts data	SPORTSTAR-A-32-41-00-01A-941A-D	N 2019-01-04	002.00	6
Brake system - Illustrated parts data	SPORTSTAR-A-32-41-00-01B-941A-D	N 2019-01-04	002.00	8
Wheel brake - Illustrated parts data	SPORTSTAR-A-32-41-01-01A-941A-D	N 2019-01-04	002.00	3
Outer brake pump - Illustrated parts data	SPORTSTAR-A-32-41-02-01A-941A-D	N 2019-01-04	002.00	3

Applicability: All

SPORTSTAR-A-00-00-00-00A-002A-A

Illustrated Parts Catalogue

Document title	Data module code	Issue date Issue number	No. of pages
Inner brake pump - Illustrated parts data	SPORTSTAR-A-32-41-03-01A-941A-D	N 2019-01-04 002.00	3
Parking brake valve with control - Illustrated parts data	SPORTSTAR-A-32-41-04-01A-941A-A	N 2019-01-04 002.00	4
Matco brake pump - Illustrated parts data	SPORTSTAR-A-32-41-05-01A-941A-D	N 2019-01-04 002.00	3
Parking brake valve with control - Goldfren - Illustrated parts data	SPORTSTAR-A-32-41-06-01A-941A-D	N 2019-01-04 002.00	4
Nose landing gear steering - Illustrated parts data	SPORTSTAR-A-32-50-00-01A-941A-D	N 2019-01-04 002.00	3
Cockpit adjustable lamp Whelen 70820 - Illustrated parts data	SPORTSTAR-A-33-10-01-01A-941A-D	N 2019-01-04 002.00	4
Cockpit adjustable lamp Whelen 70820 - Illustrated parts data	SPORTSTAR-A-33-10-01-01B-941A-D	N 2019-01-04 002.00	4
Cockpit adjustable lamp Whelen 70820 - Illustrated parts data	SPORTSTAR-A-33-10-01-01C-941A-D	N 2019-01-04 002.00	4
Instrument lighting with regulator - Illustrated parts data	SPORTSTAR-A-33-10-02-01A-941A-D	N 2019-01-04 002.00	5
Lighting of LUN backup flight instruments - Illustrated parts data	SPORTSTAR-A-33-10-03-01A-941A-D	N 2019-01-04 002.00	2
Instrument lighting regulator - Illustrated parts data	SPORTSTAR-A-33-10-04-01A-941A-D	N 2019-01-04 002.00	3
Instrument panel lighting - Illustrated parts data	SPORTSTAR-A-33-10-05-01A-941A-D	N 2019-01-04 002.00	3
Potentiometer - Illustrated parts data	SPORTSTAR-A-33-10-06-01A-941A-D	N 2019-01-04 002.00	2
Headlight Whelen 71141 - Illustrated parts data	SPORTSTAR-A-33-40-01-01A-941A-D	N 2019-01-04 002.00	5
Headlight Whelen 71141 - Illustrated parts data	SPORTSTAR-A-33-40-01-01B-941A-D	N 2019-01-04 002.00	5
Headlight Whelen 71141 - Illustrated parts data	SPORTSTAR-A-33-40-01-01C-941A-D	N 2019-01-04 002.00	5
Headlight Whelen 71141 - Illustrated parts data	SPORTSTAR-A-33-40-01-01D-941A-D	N 2019-01-04 002.00	5

Applicability: All

SPORTSTAR-A-00-00-00-00A-002A-A

Illustrated Parts Catalogue

Document title	Data module code	Issue date	Issue number	No. of pages
Position and strobe lights Whelen 90340 - Illustrated parts data	SPORTSTAR-A-33-40-02-01A-941A-D	N 2019-01-04	002.00	5
Position and anticollision lights Whelen Orion 600 - Illustrated parts data	SPORTSTAR-A-33-40-03-01A-941A-D	N 2019-01-04	002.00	5
Position and anticollision lights Whelen Orion 600 - Illustrated parts data	SPORTSTAR-A-33-40-03-01B-941A-D	N 2019-01-04	002.00	5
Outside air thermometer - Illustrated parts data	SPORTSTAR-A-34-10-01-01A-941A-D	N 2019-01-04	002.00	3
SkyView ADAHRS - Illustrated parts data	SPORTSTAR-A-34-10-02-01A-941A-D	N 2019-01-04	002.00	4
SkyView system - Illustrated parts data	SPORTSTAR-A-34-10-03-01A-941A-D	N 2019-01-04	002.00	11
Garmin G3X system - Illustrated parts data	SPORTSTAR-A-34-10-04-01A-941A-D	N 2019-01-04	002.00	10
Fuselage modificatio for G3X system - Illustrated parts data	SPORTSTAR-A-34-10-05-01A-941A-D	N 2019-01-04	002.00	4
Garmin G3X system - NVFR installations - Illustrated parts data	SPORTSTAR-A-34-10-06-01A-941A-A	N 2019-01-04	002.00	10
Pitot-static system - Illustrated parts data	SPORTSTAR-A-34-11-00-01A-941A-D	N 2019-01-04	002.00	3
Pitot-static system - Illustrated parts data	SPORTSTAR-A-34-11-00-01B-941A-D	N 2019-01-04	002.00	6
Pitot-static system - Illustrated parts data	SPORTSTAR-A-34-11-00-01C-941A-D	N 2019-01-04	002.00	4
Pitot-static system - Illustrated parts data	SPORTSTAR-A-34-11-00-01D-941A-D	N 2019-01-04	002.00	6
Pitot-static system - Illustrated parts data	SPORTSTAR-A-34-11-00-01E-941A-D	N 2019-01-04	002.00	4
Flight instruments LUN - Illustrated parts data	SPORTSTAR-A-34-12-00-01A-941A-D	N 2019-01-04	002.00	3
Flight instruments - China - Illustrated parts data	SPORTSTAR-A-34-13-00-01A-941A-D	N 2019-01-04	002.00	3

Applicability: All

SPORTSTAR-A-00-00-00-00A-002A-A

Illustrated Parts Catalogue

Document title	Data module code	Issue date Issue number	No. of pages
Backup flight instruments UMA/Winter - Illustrated parts data	SPORTSTAR-A-34-14-00-01A-941A-D	N 2019-01-04 002.00	3
Backup flight instruments LUN - Illustrated parts data	SPORTSTAR-A-34-15-00-01A-941A-D	N 2019-01-04 002.00	3
Backup flight instruments UMA - Illustrated parts data	SPORTSTAR-A-34-16-00-01A-941A-D	N 2019-01-04 002.00	3
Magnetic compass - Illustrated parts data	SPORTSTAR-A-34-20-01-01A-941A-D	N 2019-01-04 002.00	2
Artificial horizon - Illustrated parts data	SPORTSTAR-A-34-20-02-01A-941A-D	N 2019-01-04 002.00	3
Directional gyro - Illustrated parts data	SPORTSTAR-A-34-20-03-01A-941A-D	N 2019-01-04 002.00	3
Turn and bank indicator - Illustrated parts data	SPORTSTAR-A-34-20-04-01A-941A-D	N 2019-01-04 002.00	3
Turn and bank indicator RCA82 - Illustrated parts data	SPORTSTAR-A-34-20-05-01A-941A-D	N 2019-01-04 002.00	3
Instrument panel installation - Illustrated parts data	SPORTSTAR-A-39-10-01-01A-941A-D	N 2019-01-04 002.00	3
Circuit breaker panel - additional - Illustrated parts data	SPORTSTAR-A-39-10-02-01A-941A-D	N 2019-01-04 002.00	3
Circuit breaker panel - additional - Illustrated parts data	SPORTSTAR-A-39-10-02-01B-941A-D	N 2019-01-04 002.00	3
Control stick head - Illustrated parts data	SPORTSTAR-A-39-10-03-01A-941A-D	N 2019-01-04 002.00	2
iPad holder - Illustrated parts data	SPORTSTAR-A-39-10-04-01A-941A-D	N 2019-01-04 002.00	3
Cockpit canopy - Illustrated parts data	SPORTSTAR-A-52-10-00-01A-941A-D	N 2019-01-04 002.00	4
Cockpit canopy lock - Illustrated parts data	SPORTSTAR-A-52-10-01-01A-941A-D	N 2019-01-04 002.00	3
Cockpit canopy sealing - Illustrated parts data	SPORTSTAR-A-52-10-02-01A-941A-D	N 2019-01-04 002.00	3
Cockpit canopy sealing - Illustrated parts data	SPORTSTAR-A-52-10-02-01B-941A-D	N 2019-01-04 002.00	3

Applicability: All

SPORTSTAR-A-00-00-00-00A-002A-A

Illustrated Parts Catalogue

Document title	Data module code	Issue date	Issue number	No. of pages
Side venting window - Illustrated parts data	SPORTSTAR-A-52-10-03-01A-941A-D	N 2019-01-04	002.00	3
Round venting window - Illustrated parts data	SPORTSTAR-A-52-10-04-01A-941A-D	N 2019-01-04	002.00	2
Sunshade - Illustrated parts data	SPORTSTAR-A-52-10-05-01A-941A-D	N 2019-01-04	002.00	2
Glareshield - Illustrated parts data	SPORTSTAR-A-52-10-06-01A-941A-D	N 2019-01-04	002.00	3
Glareshield - Illustrated parts data	SPORTSTAR-A-52-10-06-01B-941A-D	N 2019-01-04	002.00	2
Assembly hole sleeves and covers - Illustrated parts data	SPORTSTAR-A-53-10-01-01A-941A-D	N 2019-01-04	002.00	3
Tail skid - Illustrated parts data	SPORTSTAR-A-53-20-01-01A-941A-D	N 2019-01-04	002.00	2
Lids and covers inside the fuselage - Illustrated parts data	SPORTSTAR-A-53-20-02-01A-941A-D	N 2019-01-04	002.00	3
Fuselage upper cover - Illustrated parts data	SPORTSTAR-A-53-30-01-01A-941A-D	N 2019-01-04	002.00	2
Fuselage - wing fillets - Illustrated parts data	SPORTSTAR-A-53-50-01-01A-941A-D	N 2019-01-04	002.00	3
Rear fuselage and fin fairings - Illustrated parts data	SPORTSTAR-A-53-50-02-01A-941A-D	N 2019-01-04	002.00	3
Stabilizers - Illustrated parts data	SPORTSTAR-A-55-00-00-01A-941A-D	N 2019-01-04	002.00	4
Rudder ledge - Illustrated parts data	SPORTSTAR-A-55-40-01-01A-941A-D	N 2019-01-04	002.00	3
Cockpit windows - Illustrated parts data	SPORTSTAR-A-56-10-00-01A-941A-D	N 2019-01-04	002.00	3
Wing hinges - Illustrated parts data	SPORTSTAR-A-57-10-01-01A-941A-D	N 2019-01-04	002.00	3
Wing flap stops installation - Illustrated parts data	SPORTSTAR-A-57-10-02-01A-941A-D	N 2019-01-04	002.00	2
Lids and covers on the wing - Illustrated parts data	SPORTSTAR-A-57-10-03-01A-941A-D	N 2019-01-04	002.00	2

Applicability: All

SPORTSTAR-A-00-00-00-00A-002A-A

Illustrated Parts Catalogue

Document title	Data module code	Issue date Issue number	No. of pages
Landing light cover - Illustrated parts data	SPORTSTAR-A-57-10-04-01A-941A-D	N 2019-01-04 002.00	2
Wing flaps - Illustrated parts data	SPORTSTAR-A-57-50-00-01A-941A-D	N 2019-01-04 002.00	2
Ailerons - Illustrated parts data	SPORTSTAR-A-57-60-00-01A-941A-D	N 2019-01-04 002.00	2
Propeller Klassic 170/3/R - Illustrated parts data	SPORTSTAR-A-61-10-01-01A-941A-D	N 2019-01-04 002.00	2
Propeller Klassic 170/3/R - Illustrated parts data	SPORTSTAR-A-61-10-01-01B-941A-D	N 2019-01-04 002.00	2
Propeller KW-31-033 - Illustrated parts data	SPORTSTAR-A-61-10-02-01A-941A-D	N 2019-01-04 002.00	3
Engine Rotax 912 ULS - Illustrated parts data	SPORTSTAR-A-71-00-01-01A-941A-D	N 2019-01-08 002.01	4
Engine Rotax 912 S - Illustrated parts data	SPORTSTAR-A-71-00-02-01A-941A-D	N 2019-01-08 002.01	4
Engine Rotax 912 S with external alternator F3A - Illustrated parts data	SPORTSTAR-A-71-00-03-01A-941A-D	N 2019-01-08 002.01	4
Cowling - Illustrated parts data	SPORTSTAR-A-71-10-00-01A-941A-D	N 2019-01-08 002.01	3
Cowling - Illustrated parts data	SPORTSTAR-A-71-10-00-01B-941A-D	N 2019-01-08 002.01	3
Access lid for coolant level check - Illustrated parts data	SPORTSTAR-A-71-10-01-01A-941A-D	N 2019-01-08 002.01	3
Engine mount - Illustrated parts data	SPORTSTAR-A-71-20-00-01A-941A-D	N 2019-01-08 002.01	3
Air intakes - Illustrated parts data	SPORTSTAR-A-71-60-00-01A-941A-D	N 2019-01-08 002.01	5
Engine cooling - Illustrated parts data	SPORTSTAR-A-75-00-00-01A-941A-D	N 2019-01-04 002.00	4
Throttle control - Illustrated parts data	SPORTSTAR-A-76-10-01-01A-941A-D	N 2019-01-04 002.00	4
Throttle control (Vernier) - Illustrated parts data	SPORTSTAR-A-76-10-02-01A-941A-D	N 2019-01-04 002.00	2

Applicability: All

SPORTSTAR-A-00-00-00-00A-002A-A

Illustrated Parts Catalogue

Document title	Data module code	Issue date	Issue number	No. of pages
Choke control - Illustrated parts data	SPORTSTAR-A-76-11-01-01A-941A-D	N	2019-01-04 002.00	4
Engine instruments - Illustrated parts data	SPORTSTAR-A-77-00-00-01A-941A-D	N	2019-01-04 002.00	3
Manifold pressure indicator - Illustrated parts data	SPORTSTAR-A-77-10-01-01A-941A-D	N	2019-01-04 002.00	3
Exhaust - Illustrated parts data	SPORTSTAR-A-78-00-00-01A-941A-D	N	2019-01-04 002.00	3
Noise suppressor - Illustrated parts data	SPORTSTAR-A-78-20-00-01A-941A-D	N	2019-01-04 002.00	3
Oil system - Illustrated parts data	SPORTSTAR-A-79-00-00-01A-941A-D	N	2019-01-04 002.00	4
Oil system - Illustrated parts data	SPORTSTAR-A-79-00-00-01B-941A-D	N	2019-01-04 002.00	4
Oil system - Illustrated parts data	SPORTSTAR-A-79-00-00-01C-941A-D	N	2019-01-04 002.00	4
Oil thermostat - Illustrated parts data	SPORTSTAR-A-79-20-01-01A-941A-D	N	2019-01-04 002.00	3

SportStar RTC

Change record

Table of Contents

	Page
SportStar RTC - Change record.....	1
1 Change record.....	1

Index of Tables

	Page
1 References.....	1

References

Table 1 References

Data module/Technical publication	Title
None	

Description

1 Change record

Change No.	Issue date	Insertion date	Signature

This page has been intentionally left blank.

SportStar RTC

List of abbreviations

Table of Contents

	Page
SportStar RTC - List of abbreviations.....	1

Index of Tables

		Page
1	References.....	1
2	List of abbreviations.....	1

References

Table 1 References

Data module/Technical publication	Title
None	

Description

Table 2: List of abbreviations

Abbreviation	Description
AR	As required
ASTM	American Society for Testing and Materials
ATA	Air Transport Association of America
AWG	American Wire Gauge
BNC	Bayonet Neill-Concelman connector
CSN	Czech technical standard
DC	Direct current
DIN	Deutsches Institut für Normung
EA	Each (number of pieces)
ELT	Emergency Locator Transmitter
EN	European standard
Fig.	Figure
FWD	Flight direction (Forward)
in	inch / inches
ISO	International Organization for Standardisation
L	Left side
LOEDM	List of effective data modules
LOEP	List of effective pages
LUN	Czech aerospace standard
mm	millimeter / millimeters
NACA	National Advisory Committee for Aeronautics
NAS	National Aerospace Standard
R	Right side
S1000D	International specification for technical publications
TOC	Table of contents

This page has been intentionally left blank.

Table of contents

	Introduction	1
	List of pages.....	1
	Change record.....	1
1	Change record.....	-1
	List abbreviations.....	1
	Table of contents.....	1
	Introduction.....	1
1	General.....	-1
2	Aircraft manufacturer.....	-2
3	Contact to the customer support department.....	-2
4	Changes to the manual.....	-2
5	Intellectual property protection.....	-2
6	Warning, Caution and Note.....	-2
7	Standard numbering system – data module code.....	-2
8	Standard numbering system.....	-4
9	Convention for numeric values writing.....	-8
10	Chapter arrangement.....	-8
11	Way of illustrated parts catalogue using.....	-8
12	Spare parts ordering.....	-10
	Numerical index.....	1
	Airplane failure card - Order form.....	1
	10 - Parking, mooring, storing and return to service	1
	Aircraft ground equipment - Illustrated parts data.....	1
	11 - Placards and markings	1
	Aircraft identification plate - Illustrated parts data.....	1
	12 - Servicing	1
	Sield set for winter operation - Illustrated parts data.....	1
	21 - Environmental control	1
	Heating and venting system - Illustrated parts data.....	1
	23 - Communications	1
	Static discharging - Illustrated parts data.....	1
	24 - Electrical power	1
	DC generation - Illustrated parts data.....	1
	Rectifier capacitor - Illustrated parts data.....	1
	Voltmeter - Illustrated parts data.....	1
	Battery Forte 12200 - Illustrated parts data.....	1

DC generation with auxiliary generator - Illustrated parts data.....	1
DC generation with auxiliary generator - Illustrated parts data.....	1
DC generation with auxiliary generator - Illustrated parts data.....	1
External power - Illustrated parts data.....	1
Circuit breaker installation - Illustrated parts data.....	1
Avionics switch - Illustrated parts data.....	1
Avionics switch - Illustrated parts data.....	1
Grounding - airplane - Illustrated parts data.....	1
Grounding - rudder and flaps control - Illustrated parts data.....	1
Grounding - elevator and aileron control - Illustrated parts data.....	1
25 - Equipment/furnishings.....	1
Pilot seat - Illustrated parts data.....	1
Safety harness - Illustrated parts data.....	1
Seat heating - Illustrated parts data.....	1
Interior panels and equipment - Illustrated parts data.....	1
Armrest - Illustrated parts data.....	1
Flaps lever rubber sleeve - Illustrated parts data.....	1
Interior panels - Illustrated parts data.....	1
Carpets - Illustrated parts data.....	1
Canopy arm rest - Illustrated parts data.....	1
Interior covers - Illustrated parts data.....	1
Control stick sleeve - Illustrated parts data.....	1
Baggage department upholstery - Illustrated parts data.....	1
Baggage compartment equipment - Illustrated parts data.....	1
Emergency - Illustrated parts data.....	1
AK-451 ELT - Illustrated parts data.....	1
Artex ME406 ELT - Illustrated parts data.....	1
Kannad AF Integra ELT - Illustrated parts data.....	1
Parachute rescue system Magnum Speed Soft 601 - Illustrated parts data.....	1
26 - Fire protection.....	1
Hand fire extinguisher - Illustrated parts data.....	1
Hand fire extinguisher - Illustrated parts data.....	1
27 - Flight controls.....	1
Roll control - Illustrated parts data.....	1
Control stick - Illustrated parts data.....	1
Pull-rod in the cockpit - Illustrated parts data.....	1
Connecting pull-rod - Illustrated parts data.....	1
Pull-rod inside wing - Illustrated parts data.....	1

Bellcrank - Illustrated parts data.....	1
Aileron control pull-rod - Illustrated parts data.....	1
Foot control countershaft - Illustrated parts data.....	1
Foot control countershaft - Illustrated parts data.....	1
Foot control pedals - Illustrated parts data.....	1
Foot control pedals - Illustrated parts data.....	1
Control cable installation - Illustrated parts data.....	1
Foot pedal position setting - Illustrated parts data.....	1
Foot pedal position setting - Illustrated parts data.....	1
Pitch control - Illustrated parts data.....	1
Pitch control countershaft - Illustrated parts data.....	1
Pull-rod in the cockpit - Illustrated parts data.....	1
Two-armed lever - Illustrated parts data.....	1
Pull-rod in the fuselage - front - Illustrated parts data.....	1
Rocker arm - Illustrated parts data.....	1
Pull rod in the fuselage - aft - Illustrated parts data).....	1
Pitch trim - Illustrated parts data.....	1
Stall warning system - Illustrated parts data.....	1
Flaps control unit - Illustrated parts data.....	1
Flaps control pull-rod - Illustrated parts data.....	1
Flaps control torsion shaft - Illustrated parts data.....	1
28 - Fuel.....	1
Fuel system - Illustrated parts data.....	1
Fuel system - Illustrated parts data.....	1
31 - Indicating/recording systems.....	1
Flight clock Mitchell - Illustrated parts data.....	1
Flight clock LC-2 - Illustrated parts data.....	1
Flight clock SC-5 - Illustrated parts data.....	1
Canopy closed signalling - Illustrated parts data.....	1
Wing flaps retraction signalling - Illustrated parts data.....	1
Parking brake signalling - Illustrated parts data.....	1
32 - Landing gear.....	1
Main landing gear and doors - Illustrated parts data.....	1
Main landing gear and doors - Illustrated parts data.....	1
Main landing gear wheel pant - Illustrated parts data.....	1
Main landing gear wheel pant - Illustrated parts data.....	1
Nose landing gear and doors - Illustrated parts data.....	1
Nose landing wheel pant - Illustrated parts data.....	1

Nose wheel - Illustrated parts data.....	1
Goodyear tire installation - Illustrated parts data.....	1
Wheel with brake - Illustrated parts data.....	1
Wheel with brake - Matco - Illustrated parts data.....	1
Brake system - Illustrated parts data.....	1
Brake system - Illustrated parts data.....	1
Wheel brake - Illustrated parts data.....	1
Outer brake pump - Illustrated parts data.....	1
Inner brake pump - Illustrated parts data.....	1
Parking brake valve with control - Illustrated parts data.....	1
Matco brake pump - Illustrated parts data.....	1
Parking brake valve with control - Goldfren - Illustrated parts data.....	1
Nose landing gear steering - Illustrated parts data.....	1
33 - Lights.....	1
Cockpit adjustable lamp Whelen 70820 - Illustrated parts data.....	1
Cockpit adjustable lamp Whelen 70820 - Illustrated parts data.....	1
Cockpit adjustable lamp Whelen 70820 - Illustrated parts data.....	1
Instrument lighting with regulator - Illustrated parts data.....	1
Lighting of LUN backup flight instruments - Illustrated parts data.....	1
Instrument lighting regulator - Illustrated parts data.....	1
Instrument panel lighting - Illustrated parts data.....	1
Potentiometer - Illustrated parts data.....	1
Headlight Whelen 71141 - Illustrated parts data.....	1
Headlight Whelen 71141 - Illustrated parts data.....	1
Headlight Whelen 71141 - Illustrated parts data.....	1
Headlight Whelen 71141 - Illustrated parts data.....	1
Position and strobe lights Whelen 90340 - Illustrated parts data.....	1
Position and anticollision lights Whelen Orion 600 - Illustrated parts data.....	1
Position and anticollision lights Whelen Orion 600 - Illustrated parts data.....	1
34 - Navigation and pitot-static system.....	1
Outside air thermometer - Illustrated parts data.....	1
SkyView ADAHRS - Illustrated parts data.....	1
SkyView system - Illustrated parts data.....	1
Garmin G3X system - Illustrated parts data.....	1
Fuselage modificatio for G3X system - Illustrated parts data.....	1
Garmin G3X system - NVFR installations - Illustrated parts data.....	1
Pitot-static system - Illustrated parts data.....	1
Pitot-static system - Illustrated parts data.....	1

	Pitot-static system - Illustrated parts data.....	1
	Pitot-static system - Illustrated parts data.....	1
	Pitot-static system - Illustrated parts data.....	1
	Flight instruments LUN - Illustrated parts data.....	1
	Flight instruments - China - Illustrated parts data.....	1
	Backup flight instruments UMA/Winter - Illustrated parts data.....	1
	Backup flight instruments LUN - Illustrated parts data.....	1
	Backup flight instruments UMA - Illustrated parts data.....	1
	Magnetic compass - Illustrated parts data.....	1
	Artificial horizon - Illustrated parts data.....	1
	Directional gyro - Illustrated parts data.....	1
	Turn and bank indicator - Illustrated parts data.....	1
	Turn and bank indicator RCA82 - Illustrated parts data.....	1
39	39 - Electronic panels and multipurpose parts.....	39-1
	Instrument panel installation - Illustrated parts data.....	39-1
	Circuit breaker panel - additional - Illustrated parts data.....	39-1
	Circuit breaker panel - additional - Illustrated parts data.....	39-1
	Control stick head - Illustrated parts data.....	39-1
	iPad holder - Illustrated parts data.....	39-1
	52 - Doors.....	1
	Cockpit canopy - Illustrated parts data.....	1
	Cockpit canopy lock - Illustrated parts data.....	1
	Cockpit canopy sealing - Illustrated parts data.....	1
	Cockpit canopy sealing - Illustrated parts data.....	1
	Side venting window - Illustrated parts data.....	1
	Round venting window - Illustrated parts data.....	1
	Sunshade - Illustrated parts data.....	1
	Glareshield - Illustrated parts data.....	1
	Glareshield NVFR.....	1
	53 - Fuselage.....	1
	Assembly hole sleeves and covers - Illustrated parts data.....	1
	Tail skid - Illustrated parts data.....	1
	Lids and covers inside the fuselage - Illustrated parts data.....	1
	Fuselage upper cover - Illustrated parts data.....	1
	Fuselage - wing fillets - Illustrated parts data.....	1
	Rear fuselage and fin fairings - Illustrated parts data.....	1
	55 - Stabilizers.....	1
	Stabilizers - Illustrated parts data.....	1

	Rudder ledge - Illustrated parts data.....	1
	56 - Windows and canopies.....	1
	Cockpit windows - Illustrated parts data.....	1
	57 - Wings.....	1
	Wing hinges - Illustrated parts data.....	1
	Wing flap stops installation - Illustrated parts data.....	1
	Lids and covers on the wing - Illustrated parts data.....	1
	Landing light cover - Illustrated parts data.....	1
	Wing flaps - Illustrated parts data.....	1
	Ailerons - Illustrated parts data.....	1
	61 - Propellers/propulsors.....	1
	Propeller Klassic 170/3/R - Illustrated parts data.....	1
	Propeller Klassic 170/3/R - Illustrated parts data.....	1
	Propeller KW-31-033 - Illustrated parts data.....	1
	71 - Power plant.....	1
	Engine Rotax 912 ULS - Illustrated parts data.....	1
	Engine Rotax 912 S - Illustrated parts data.....	1
	Engine Rotax 912 S - Illustrated parts data.....	1
	Cowling - Illustrated parts data.....	1
	Cowling - Illustrated parts data.....	1
	Access lid for coolant level check - Illustrated parts data.....	1
	Engine mount - Illustrated parts data.....	1
	Air intakes - Illustrated parts data.....	1
75	75 - Air.....	75-1
	Engine cooling - Illustrated parts data.....	75-1
76	76 - Engine controls.....	76-1
	Throttle control - Illustrated parts data.....	76-1
	Throttle control (Vernier) - Illustrated parts data.....	76-1
	Choke control - Illustrated parts data.....	76-1
	77 - Engine indicating.....	1
	Engine instruments - Illustrated parts data.....	1
	Manifold pressure indicator - Illustrated parts data.....	1
78	78 - Exhaust.....	78-1
	Exhaust - Illustrated parts data.....	78-1
	Noise suppressor - Illustrated parts data.....	78-1
	79 - Oil.....	1
	Oil system - Illustrated parts data.....	1
	Oil system - Illustrated parts data.....	1



Oil system - Illustrated parts data.....	1
Oil thermostat - Illustrated parts data.....	1

This page has been intentionally left blank.

SportStar RTC

Introduction

Table of Contents

	Page
SportStar RTC - Introduction.....	1
1 General.....	1
2 Aircraft manufacturer.....	2
3 Contact to the customer support department.....	2
4 Changes to the manual.....	2
5 Intellectual property protection.....	2
6 Warning, Caution and Note.....	2
7 Standard numbering system – data module code.....	2
7.1 Model identification code.....	3
7.2 System difference code.....	3
7.3 Standard numbering system.....	3
7.4 Figure number.....	3
7.5 Figure number variant.....	3
7.6 Information code.....	3
7.7 Information code variant.....	4
7.8 Item location code.....	4
8 Standard numbering system.....	4
9 Convention for numeric values writing.....	8
10 Chapter arrangement.....	8
11 Way of illustrated parts catalogue using.....	8
11.1 General.....	8
11.2 Meaning of individual columns in the spare parts table.....	9
12 Spare parts ordering.....	10

Index of Tables

	Page
1 References.....	1

References

Table 1 References

Data module/Technical publication	Title
None	

Description

1 General

This manual has been elaborated in accordance with the S1000D standard requirements and contains the data on the spare parts for the SportStar RTC aircraft that are necessary for a correct maintenance and repairs of the aircraft.

2 Aircraft manufacturer

The manufacturer of the SportStar RTC Aircraft is this company: Evektor-Aerotechnik, a.s., Okružní 234, 293 06 Bradlec, Czech Republic

3 Contact to the customer support department

Evektor-Aerotechnik, a.s., Letecká 1384, 686 04 Kunovice, Czech republic

email: service@evektor.cz, tel.: +420 572 537 316

4 Changes to the manual

All the changes and amendments to this manual are issued in form of changes that shall have in the annex the changed or modified pages whose list shall be shown in the change record [SPORTSTAR-A-00-00-00-00A-00TA-A](#)

The current valid issue of the Catalog of Spare Parts is available at the websites of the aircraft manufacturer: www.evektor.cz

5 Intellectual property protection

This manual contains the information owned by company Evektor spol. s r.o. that are protected by the Czech Copyright Law No. 121/2000 Coll. No part of this document can be copied, imitated or translated into other languages without the prior written consent of Evektor spol. s r.o.

In relation to the use of this document, Evektor spol. s r.o. doesn't give any guarantees. This document contains the data that may constitute a business secret, confidential information owned by Evektor spol. s r.o. and the technical data that may be the subject of export limitations.

6 Warning, Caution and Note

WARNING

An operating procedure, inspection, repair or maintenance activity that if not performed correctly may result in injury or death of persons.

CAUTION

An operating procedure, inspection, repair or maintenance activity that if not observed may cause a damage or destruction of equipment.

Note

Operating procedures, inspections, repair or maintenance conditions, etc., the highlighting of which is considered necessary.

7 Standard numbering system – data module code

This manual has been elaborated using the S1000D Specification and consists of data modules.

The data module code is composed of 20 alphanumeric characters.

SPORTS-TAR	A	32	10	01	00	A	040	A	A
MIC	SDC	SNS system	SNS sub-system and sub-subsystem	SNS assembly or part	FN	FN variant	IC	IC variant	Item location
Para 7.1	Para 7.2	Para 7.3			Para 7.4	Para 7.5	Para 7.6	Para 7.7	Para 7.8

7.1 Model identification code

Model identification code (MIC) has a length of 9 alphanumeric characters and designates that the data contained in the data module is related to the SportStar RTC aircraft.

7.2 System difference code

System difference code (SDC) serves for the identification of alternative versions of systems and subsystems that are defined by the SNS without changing the MIC. The SDC has a length of one character.

7.3 Standard numbering system

The standard numbering system (SNS) is composed of three groups of characters. Each group of characters consists of two digits:

- The first two-digit number identifies the aircraft system (32 – Landing gear)
- The first digit of the second two-digit number designates the subsystem (1 – Main landing gear and covers)
- The second digit of the second two-digit number designates the sub-subsystem.
- The third two-digit number designates a particular part or assembly that is part of a sub-subsystem (01 - Main landing gear leg).

7.4 Figure number

The figure number (FN) consists of two numeric characters and designates the number of the figure that is mentioned in the data module.

7.5 Figure number variant

The figure number variant consists of one alphanumeric character and serves for the identification of an alternative figure of equipment or component that differs just a bit so that it is not necessary to use another system difference code.

7.6 Information code

The information code (IC) consists of three alphanumeric characters and determines what type of information is contained in the data module. The following information codes are used in this manual::

- 001 – Title page
- 00R – List of effective pages
- 00S – List of effective data modules

- 00T – Change record
- 005 – List of abbreviations
- 006 – List of terms
- 009 – Table of contents
- 018 – Introductions
- 040 – Description
- 941 – Illustrated parts data
- 942 – Numerical index

7.7 Information code variant

The information code variant consists of one alphanumeric character that identifies the differing data relating to the same item.

7.8 Item location code

The item location code is composed of one text character and defines the place where the maintenance of the item that is specified in the data module, shall be performed. The item location codes are used in this manual:

- A – the information relating to the item installed on the aircraft
- B – the information relating to the item installed in the main assembly that is dismantled from the aircraft (for example on the engine that is dismantled from the aircraft)
- C – the information relating to the item located on the working desk
- D – the information relating to all three locations of A, B and C

8 Standard numbering system

The following Standard Numbering System (SNS) is used in this manual:

System	Subsystem	Title
00	00	Title page
04	Airworthiness	
	00	Airworthiness — general
05	Scheduled/ unscheduled maintenance	
	00	General
	10	Time limits
	20	Scheduled maintenance
	30	Special maintenance
	50	Unscheduled maintenance
06	Dimensions and areas	
	10	Three-view drawing
	10	Dimensions and areas
	40	Lids and covers
07	Lifting and shoring	
	00	General
	10	Lifting

System	Subsystem	Title
08	Leveling and weighing	
	00	General
	10	Leveling
	20	Weighing
	30	Niveling
09	Vlečení a pojiždění	
	00	Všeobecně
	10	Vlečení
	20	Pojiždění
10	Towing and taxiing	
	00	General
	10	Parking
	20	Mooring
11	Placards and markings	
	00	General
	20	Exterior placards and markings
	30	Interior placards and markings
12	Servicing	
	00	General
	10	Replenishing
	20	Scheduled servicing
	30	Unscheduled servicing
20	Standard practices – airframe	
	00	General
	10	Torque data
	20	Safetying
21	Environmental control	
	00	General
	20	Distribution
	40	Heating
	60	Temperature control
23	Communications	
	00	General
	10	Speech communication
	50	Audio integrating
	60	Static discharging
24	Electrical power	
	00	General
	30	DC generation
	40	External power
	60	Electrical load distribution
25	Equipment / furnishings	
	00	General
	10	Flight compartment / cockpit
	50	Baggage compartments
	60	Emergency equipment
26	Fire protection	
	00	General
	20	Extinguishing

System	Subsystem	Title
27	Flight controls	
	00	General
	10	Roll control
	20	Yaw control
	30	Pitch control
	50	Wing flaps
28	Fuel	
	00	General
	10	Storage
	20	Distribution
	40	Indicationg
31	Indicating / recording systems	
	00	General
	20	Flight clocks
	30	Recorders
	50	Central warning system
32	Landing gear	
	00	General
	10	Main landing gear and doors
	20	Nose landing gear and doors
	40	Wheels and brakes
	41	Brake system
	50	Nose landing gear steering
33	Lights	
	00	General
	10	Flight compartment
	40	Exterior lighting
34	Navigation and pitot-static system	
	00	Genral
	10	Flight environment data
	20	Attitude and direction
	30	Landing and taxiing aids
	40	Independent position determining
	50	Dependent position determining
39	Electronic panels and multipurpose parts	
	00	General
	10	Instruments and control panels
51	Standard practices – structures	
	00	Repairs
52	Doors	
	00	General
	10	Crew doors
53	Fuselage	
	00	General
	10	Main structure
	20	Secondary structure
	30	Skin
	40	Hinges
	50	Fairings

System	Subsystem	Title
55	Stabilizers	
	00	General
	10	Horizontal stabilizer
	20	Elevator
	30	Vertical stabilizer
	40	Rudder
56	Windows and canopies	
	00	General
	10	Cockpit windows
57	Wings	
	00	General
	10	Main structure
	20	Secondary structure
	30	Skin
	40	Hinges
	50	Wing flaps
	60	Ailerons
61	Propeller	
	00	General
	10	Propeller assembly
	20	Controlling
71	Engine	
	00	General
	10	Cowling
	20	Mounts
	60	Air intakes
	70	Engine drains
74	Ignition	
	00	General
	10	Electrical power supply
	20	Distribution
	30	Switching
75	Air	
	00	Engine cooling
76	Engine controls	
	00	General
	10	Power control
77	Engine indicating	
	00	General
	10	Power
	20	Temperature
78	Exhaust	
	00	General
	10	Collector
	20	Noise suppressor
79	Oil	
	00	General
	10	Storage
	20	Distribution

System	Subsystem	Title
	30	Indicating

9 Convention for numeric values writing

The following convention for writing the numeric values, that contain an integer value and a decimal part, is used in this manual:

- For the quantities expressed in the SI units, the integer part and the decimal part are separated by a comma.
- For the quantities expressed in the imperial units, the integer part and the decimal part are separated by a decimal point.

10 Chapter arrangement

The chapters in this manual are arranged and structured in compliance with the standards S1000D and GAMA2. The numbering of chapters is in compliance with the Maintenance Manual for the SportStar RTC.

11 Way of illustrated parts catalogue using

11.1 General

The illustrated parts catalogue includes the list of all replaceable parts of the SportStar RTC aircraft.

11.2 Meaning of individual columns in the spare parts table

Column	Meaning
Fig.	The number and the variant of the figure that is derived from the data module number and to which the contents of the table of spare parts is related, are indicated in the first line and in the first column of each table. For example 1A means that figure number is 1 and figure variant is A.
Item	It contains the number of position and the variant under which the corresponding part is indicated in the figure. For example 5A means that the position number of the part in the figure is 5 and the variant of the figure is A. In the case when the part is not indicated in the figure, then the sign “-“ (dash) is indicated in the column “Fig.”
Units per assembly / Units of issue	Number of units (eventually quantity) of the part in the assembly / system shown in the figure. The used units of quantity: <ul style="list-style-type: none"> - EA (each) or the unit isn't shown: quantity is expressed in pieces - AR (as required): quantity as needed - Physical units: such as m, kg or l
NCAGE	The company code (5 characters) assigned by the organization NSPA (NATO Support and Procurement Agency). The NCAGE code of Evektor spol. s r.o. (0396G) or Evektor-Aerotechnik a.s. (6021G), eventually the code of another manufacturer of parts is shown.
Part number / NATO stock number	Part number. The part number is a unique identifier that serves for the identification of a part. Using this number, it is possible to order the part from the aircraft manufacturer. The parenthesis may contain the name of manufacturer and the number of the part with which it is possible to order the part directly from the manufacturer of the part. In the case of a standardized part (such as bolts, nuts, etc.), the parenthesis contains the standard number. The NATO stock number isn't shown.

Column	Meaning
Description	<p>Title/name of a part or a subassembly.</p> <p>Title/name of a part or a subassembly can be preceded by the bullet in form of a large dot "•" that expresses the context of the part or the subassembly in the assembly /system shown in the figure..</p> <p>The meaning of the bullets is as follows:</p> <ul style="list-style-type: none"> - • Assembly / part - •• Part of assembly or subassembly - ••• part of subassembly or sub-subassembly <p>In the case of the standardized parts, the name can include the dimensions of the part: For example Screw M4x12 (a screw with thread M4 and length 12 mm) or Washer 6.4 (a washer with inner diameter of 6.4 mm), etc.</p> <p>In the case of consumer material, the name is added with the commercial name and designation: For example Adhesive Cyber-bond CB 2077.</p>
Usable on code assy / MV/Effect	<p>Usable on code assy: not shown.</p> <p>MV/Effect: The applicability limitations of a part are shown here. This column is left blank if the part is applicable for all SportStar RTC aircraft.</p>
ICY	<p>Interchangeability.</p> <p>If the interchangeability of a part is limited, then this information is shown in this column in form of a record.</p>

12 Spare parts ordering

- 1 Find the appropriate figure in the catalog – follow the system numbering according to the ATA groups.
- 2 In the figure, identify the part you are looking for and write down the number of its position.
- 3 In the table of spare parts, find the spare part according to the position number.
- 4 Write down the designation, name and the needed quantity of the part.
- 5 Fill out the Airplane Failure Card / Order Form a and send it to the e-mail address shown [Para 3](#).

SportStar RTC

Numerical index

Table of Contents

	Page
SportStar RTC - Numerical index.....	1

Index of Tables

	Page
1 References.....	1

References

Table 1 References

Data module/Technical publication	Title
None	

Description

Part Number	NCAGE	Nomenclature	DMC	Item	QNA
000182 (ISO 4014)	0396G	Screw M4x30	SPORTSTAR-A-27-20-04-01A-941A-D	5	4
000441 (ISO 4017)	0396G	Screw M5x50	SPORTSTAR-A-27-20-01-01A-941A-D	7	12
000441 (ISO 4017)	0396G	Screw M5x50	SPORTSTAR-A-27-20-01-01B-941A-D	7	12
000441 (ISO 4017)	0396G	Screw M5x50	SPORTSTAR-A-71-00-01-01A-941A-D	27	2
000441 (ISO 4017)	0396G	Screw M5x50	SPORTSTAR-A-71-00-02-01A-941A-D	27	2
000441 (ISO 4017)	0396G	Screw M5x50	SPORTSTAR-A-71-00-03-01A-941A-D	27	2
000606 (DIN 931)	0396G	Screw M6x35	SPORTSTAR-A-26-20-01-01A-941A-D	10	2
000606 (DIN 931)	0396G	Screw M6x35	SPORTSTAR-A-27-20-03-01A-941A-D	17	4
000798	0396G	Screw M8x45	SPORTSTAR-A-25-60-04-01A-941A-D	15	4
001204 (ISO 4017)	0396G	Screw M3x6	SPORTSTAR-A-24-70-02-01A-941A-D	87	2
001295 (ISO 4017)	0396G	Screw M4x12	SPORTSTAR-A-25-11-00-01A-941A-D	35	2
001295 (ISO 4017)	0396G	Screw M4x12	SPORTSTAR-A-28-00-00-01A-941A-D	57	5
001295 (ISO 4017)	0396G	Screw M4x12	SPORTSTAR-A-28-00-00-01B-941A-D	57	4
001295 (ISO 4017)	0396G	Screw M4x12	SPORTSTAR-A-31-50-02-01A-941A-D	45	1

Illustrated Parts Catalogue

Part Number	NCAGE	Nomenclature	DMC	Item	QNA
001295 (ISO 4017)	0396G	Screw M4x12	SPORTSTAR-A-71-60-00-01A-941A-D	35	1
001296	0396G	Screw M5x12	SPORTSTAR-A-25-60-04-01A-941A-D	17	2
001299 (ISO 4017)	0396G	Screw M6x12	SPORTSTAR-A-24-70-01-01A-941A-D	18	2
001299 (ISO 4017)	0396G	Screw M6x12	SPORTSTAR-A-71-60-00-01A-941A-D	24	2
001300 (ISO 4017)	0396G	Screw M6x10	SPORTSTAR-A-34-10-04-01A-941A-D	95	2
001300 (ISO 4017)	0396G	Screw M6x10	SPORTSTAR-A-34-10-06-01A-941A-A	95	2
001337 (ISO 4017)	0396G	Screw M4x16	SPORTSTAR-A-34-10-02-01A-941A-D	25	6
001337 (ISO 4017)	0396G	Screw M4x16	SPORTSTAR-A-34-10-03-01A-941A-D	103	4
001461 (ISO 4017)	0396G	Screw M4x20	SPORTSTAR-A-27-50-03-01A-941A-D	8	12
001670 (ISO 4017)	0396G	Screw M5x12	SPORTSTAR-A-32-41-00-01B-941A-D	42	2
001690 (ISO 4017)	0396G	Screw M5x14	SPORTSTAR-A-79-00-00-01A-941A-D	24	2
001690 (ISO 4017)	0396G	Screw M5x14	SPORTSTAR-A-79-00-00-01B-941A-D	24	2
001691 (ISO 4017)	0396G	Screw M4x10	SPORTSTAR-A-24-31-00-01A-941A-D	78	1
001691 (ISO 4017)	0396G	Screw M4x10	SPORTSTAR-A-24-31-00-01B-941A-D	78	1
001691 (ISO 4017)	0396G	Screw M4x10	SPORTSTAR-A-24-31-00-01C-941A-D	78	1
001691 (ISO 4017)	0396G	Screw M4x10	SPORTSTAR-A-27-20-03-01A-941A-D	5	4
001691 (ISO 4017)	0396G	Screw M4x10	SPORTSTAR-A-28-00-00-01A-941A-D	56	30
001691 (ISO 4017)	0396G	Screw M4x10	SPORTSTAR-A-28-00-00-01B-941A-D	56	30
001691 (ISO 4017)	0396G	Screw M4x10	SPORTSTAR-A-32-41-06-01A-941A-D	66	2
001691 (ISO 4017)	0396G	Screw M4x10	SPORTSTAR-A-34-10-02-01A-941A-D	20	7
001691 (ISO 4017)	0396G	Screw M4x10	SPORTSTAR-A-34-10-05-01A-941A-D	20	7
001691 (ISO 4017)	0396G	Screw M4x10	SPORTSTAR-A-71-60-00-01A-941A-D	40	1
001825	0396G	Screw M3x10	SPORTSTAR-A-27-31-00-01A-941A-D	14	4
001828 (ISO 7046-1)	0396G	Screw M4x12	SPORTSTAR-A-10-00-01-01A-941A-D	6	10
001930 (ISO 4017)	0396G	Screw M6x16	SPORTSTAR-A-25-11-01-01A-941A-D	12	4
001930 (ISO 4017)	0396G	Screw M6x16	SPORTSTAR-A-33-40-01-01A-941A-D	70	1

Applicability: All

SPORTSTAR-A-00-00-00-00A-942A-A



Illustrated Parts Catalogue

Part Number	NCAGE	Nomenclature	DMC	Item	QNA
001930 (ISO 4017)	0396G	Screw M6x16	SPORTSTAR-A-33-40-01-01B-941A-D	70	1
001930 (ISO 4017)	0396G	Screw M6x16	SPORTSTAR-A-33-40-01-01C-941A-D	70	1
001930 (ISO 4017)	0396G	Screw M6x16	SPORTSTAR-A-33-40-01-01D-941A-D	70	1
002053 (ISO 4017)	0396G	Screw M6x20	SPORTSTAR-A-32-20-00-01A-941A-D	25	4
002067 (ISO 4017)	0396G	Screw M6x25	SPORTSTAR-A-25-60-04-01A-941A-D	18	10
002067 (ISO 4017)	0396G	Screw M6x25	SPORTSTAR-A-71-00-01-01A-941A-D	14	1
002067 (ISO 4017)	0396G	Screw M6x25	SPORTSTAR-A-71-00-02-01A-941A-D	14	1
002067 (ISO 4017)	0396G	Screw M6x25	SPORTSTAR-A-71-00-03-01A-941A-D	14	1
002132 (ISO 4017)	0396G	Screw M8x12	SPORTSTAR-A-10-00-01-01A-941A-D	29	3
002132 (ISO 4017)	0396G	Screw M8x12	SPORTSTAR-A-32-40-03-01A-941A-D	12	3
002132 (ISO 4017)	0396G	Screw M8x12	SPORTSTAR-A-34-10-04-01A-941A-D	97	1
002132 (ISO 4017)	0396G	Screw M8x12	SPORTSTAR-A-34-10-06-01A-941A-A	97	1
003072 (ISO 1207)	0396G	Screw M2x12	SPORTSTAR-A-31-50-02-01A-941A-D	30	2
003072 (ISO 1207)	0396G	Screw M2x12	SPORTSTAR-A-31-50-03-01A-941A-D	30	2
003072 (ISO 1207)	0396G	Screw M2x12	SPORTSTAR-A-52-10-01-01A-941A-D	10	2
003150 (CSN 02 1131.24)	0396G	Screw M3x10	SPORTSTAR-A-25-60-01-01A-941A-D	40	2
003201 (ISO 1207)	0396G	Screw M3x14	SPORTSTAR-A-33-10-04-01A-941A-D	80	1
004151 (ISO 1207)	0396G	Screw M5x12	SPORTSTAR-A-24-30-00-01A-941A-D	74	2
004151 (ISO 1207)	0396G	Screw M5x12	SPORTSTAR-A-24-31-00-01A-941A-D	74	8
004151 (ISO 1207)	0396G	Screw M5x12	SPORTSTAR-A-24-31-00-01B-941A-D	74	8
004151 (ISO 1207)	0396G	Screw M5x12	SPORTSTAR-A-24-31-00-01C-941A-D	74	8
004151 (ISO 1207)	0396G	Screw M5x12	SPORTSTAR-A-24-40-00-01A-941A-D	51	2
004190	0396G	Screw M5x16	SPORTSTAR-A-24-30-00-01A-941A-D	75	2
004190	0396G	Screw M5x16	SPORTSTAR-A-24-31-00-01A-941A-D	75	2
004190	0396G	Screw M5x16	SPORTSTAR-A-24-31-00-01B-941A-D	75	2
004190	0396G	Screw M5x16	SPORTSTAR-A-24-31-00-01C-941A-D	75	2

Applicability: All

SPORTSTAR-A-00-00-00-00A-942A-A

Illustrated Parts Catalogue

Part Number	NCAGE	Nomenclature	DMC	Item	QNA
004190	0396G	Screw M5x16	SPORTSTAR- A-34-10-03-01A-941A-D	105	4
004190	0396G	Screw M5x16	SPORTSTAR- A-34-10-06-01A-941A-A	93	2
004957 (ISO 1207)	0396G	Screw M3x10	SPORTSTAR- A-25-60-02-01A-941A-D	40	2
004974 (ISO 1207)	0396G	Screw M4x10	SPORTSTAR- A-24-30-00-01A-941A-D	77	2
004974 (ISO 1207)	0396G	Screw M4x10	SPORTSTAR- A-24-30-01-01A-941A-D	20	2
004974 (ISO 1207)	0396G	Screw M4x10	SPORTSTAR- A-24-31-00-01A-941A-D	76	10
004974 (ISO 1207)	0396G	Screw M4x10	SPORTSTAR- A-24-31-00-01B-941A-D	76	12
004974 (ISO 1207)	0396G	Screw M4x10	SPORTSTAR- A-24-31-00-01C-941A-D	76	12
004974 (ISO 1207)	0396G	Screw M4x10	SPORTSTAR- A-24-40-00-01A-941A-D	52	1
004974 (ISO 1207)	0396G	Screw M4x10	SPORTSTAR- A-33-10-02-01A-941A-D	35	3
004974 (ISO 1207)	0396G	Screw M4x10	SPORTSTAR- A-33-40-01-01A-941A-D	68	1
004974 (ISO 1207)	0396G	Screw M4x10	SPORTSTAR- A-33-40-01-01B-941A-D	68	1
004974 (ISO 1207)	0396G	Screw M4x10	SPORTSTAR- A-33-40-01-01C-941A-D	68	1
004974 (ISO 1207)	0396G	Screw M4x10	SPORTSTAR- A-33-40-01-01D-941A-D	68	1
004974 (ISO 1207)	0396G	Screw M4x10	SPORTSTAR- A-33-40-02-01A-941A-D	49	2
004974 (ISO 1207)	0396G	Screw M4x10	SPORTSTAR- A-34-10-02-01A-941A-D	102	4
004974 (ISO 1207)	0396G	Screw M4x10	SPORTSTAR- A-34-10-03-01A-941A-D	102	8
004974 (ISO 1207)	0396G	Screw M4x10	SPORTSTAR- A-34-10-04-01A-941A-D	90	12
004974 (ISO 1207)	0396G	Screw M4x10	SPORTSTAR- A-34-10-06-01A-941A-A	90	12
004974 (ISO 1207)	0396G	Screw M4x10	SPORTSTAR- A-34-11-00-01B-941A-D	65	2
004974 (ISO 1207)	0396G	Screw M4x10	SPORTSTAR- A-34-11-00-01D-941A-D	65	2
004977 (ISO 1207)	0396G	Screw M3x12	SPORTSTAR- A-27-31-00-01A-941A-D	80	2
004980 (ISO 1207)	0396G	Screw M4x12	SPORTSTAR- A-24-30-00-01A-941A-D	76	9
004980 (ISO 1207)	0396G	Screw M4x12	SPORTSTAR- A-24-31-00-01A-941A-D	77	9
004980 (ISO 1207)	0396G	Screw M4x12	SPORTSTAR- A-24-31-00-01B-941A-D	77	9
004980 (ISO 1207)	0396G	Screw M4x12	SPORTSTAR- A-24-31-00-01C-941A-D	77	9

Applicability: All

SPORTSTAR-A-00-00-00-00A-942A-A

Illustrated Parts Catalogue

Part Number	NCAGE	Nomenclature	DMC	Item	QNA
004980 (ISO 1207)	0396G	Screw M4x12	SPORTSTAR-A-24-60-02-01A-941A-D	30	1
004980 (ISO 1207)	0396G	Screw M4x12	SPORTSTAR-A-24-60-02-01B-941A-D	30	1
004980 (ISO 1207)	0396G	Screw M4x12	SPORTSTAR-A-33-10-02-01A-941A-D	36	2
004980 (ISO 1207)	0396G	Screw M4x12	SPORTSTAR-A-33-40-01-01A-941A-D	69	4
004980 (ISO 1207)	0396G	Screw M4x12	SPORTSTAR-A-33-40-01-01B-941A-D	69	4
004980 (ISO 1207)	0396G	Screw M4x12	SPORTSTAR-A-33-40-01-01C-941A-D	69	4
004980 (ISO 1207)	0396G	Screw M4x12	SPORTSTAR-A-33-40-01-01D-941A-D	69	4
004980 (ISO 1207)	0396G	Screw M4x12	SPORTSTAR-A-33-40-02-01A-941A-D	48	1
004980 (ISO 1207)	0396G	Screw M4x12	SPORTSTAR-A-33-40-03-01A-941A-D	52	1
004980 (ISO 1207)	0396G	Screw M4x12	SPORTSTAR-A-34-11-00-01B-941A-D	66	1
004980 (ISO 1207)	0396G	Screw M4x12	SPORTSTAR-A-34-11-00-01D-941A-D	66	1
004980 (ISO 1207)	0396G	Screw M4x12	SPORTSTAR-A-52-10-01-01A-941A-D	16	2
004984	0396G	Screw M4x8	SPORTSTAR-A-27-20-04-01A-941A-D	4	8
004984	0396G	Screw M4x8	SPORTSTAR-A-32-41-04-01A-941A-A	21	2
004985	0396G	Screw M4x12	SPORTSTAR-A-10-00-01-01A-941A-D	7	10
004985	0396G	Screw M4x12	SPORTSTAR-A-12-31-00-01A-941A-D	20	2
004985	0396G	Screw M4x12	SPORTSTAR-A-25-10-03-01A-941A-D	35	4
004985	0396G	Screw M4x12	SPORTSTAR-A-25-11-00-01A-941A-D	25	39
004985	0396G	Screw M4x12	SPORTSTAR-A-32-20-01-01A-941A-D	2	10
004985	0396G	Screw M4x12	SPORTSTAR-A-32-41-00-01A-941A-D	10	7
004985	0396G	Screw M4x12	SPORTSTAR-A-32-41-00-01B-941A-D	40	12
004985	0396G	Screw M4x12	SPORTSTAR-A-32-41-04-01A-941A-A	18	2
004985	0396G	Screw M4x12	SPORTSTAR-A-32-41-06-01A-941A-D	63	2
004985	0396G	Screw M4x12	SPORTSTAR-A-34-11-00-01A-941A-D	5	5
004985	0396G	Screw M4x12	SPORTSTAR-A-34-11-00-01D-941A-D	12	4
004985	0396G	Screw M4x12	SPORTSTAR-A-53-20-02-01A-941A-D	6	27

Applicability: All

SPORTSTAR-A-00-00-00-00A-942A-A

Illustrated Parts Catalogue

Part Number	NCAGE	Nomenclature	DMC	Item	QNA
004985	0396G	Screw M4x12	SPORTSTAR-A-53-30-01-01A-941A-D	2	19
004985	0396G	Screw M4x12	SPORTSTAR-A-53-50-01-01A-941A-D	7	36
004985	0396G	Screw M4x12	SPORTSTAR-A-53-50-02-01A-941A-D	2	6
004985	0396G	Screw M4x12	SPORTSTAR-A-57-10-03-01A-941A-D	3	30
004985	0396G	Screw M4x12	SPORTSTAR-A-57-10-04-01A-941A-D	2	22
004985	0396G	Screw M4x12	SPORTSTAR-A-71-10-00-01A-941A-D	13	10
004985	0396G	Screw M4x12	SPORTSTAR-A-71-10-00-01B-941A-D	13	8
004986	0396G	Screw M4x16	SPORTSTAR-A-10-00-01-01A-941A-D	12	15
004986	0396G	Screw M4x16	SPORTSTAR-A-25-10-01-01A-941A-D	7	8
004986	0396G	Screw M4x16	SPORTSTAR-A-25-60-02-01A-941A-D	501	4
004986	0396G	Screw M4x16	SPORTSTAR-A-33-40-02-01A-941A-D	47	4
004986	0396G	Screw M4x16	SPORTSTAR-A-52-10-04-01A-941A-D	27	2
004986	0396G	Screw M4x16	SPORTSTAR-A-55-00-00-01A-941A-D	25	28
004986	0396G	Screw M4x16	SPORTSTAR-A-75-00-00-01A-941A-D	22	4
004993	0396G	Screw M3x10	SPORTSTAR-A-52-10-03-01A-941A-D	30	16
004995 (ISO 1207)	0396G	Screw M6x16	SPORTSTAR-A-34-10-04-01A-941A-D	93	2
004997 (ISO 1207)	0396G	Screw M4x16	SPORTSTAR-A-27-31-00-01A-941A-D	17	1
004997 (ISO 1207)	0396G	Screw M4x16	SPORTSTAR-A-33-40-02-01A-941A-D	45	6
007328 (ISO 4762)	0396G	Screw M10x25	SPORTSTAR-A-71-00-01-01A-941A-D	25	2
007328 (ISO 4762)	0396G	Screw M10x25	SPORTSTAR-A-71-00-02-01A-941A-D	25	2
007328 (ISO 4762)	0396G	Screw M10x25	SPORTSTAR-A-71-00-03-01A-941A-D	25	2
007340 (ISO 4762)	0396G	Screw M4x10	SPORTSTAR-A-21-00-00-01A-941A-D	158	4
007340 (ISO 4762)	0396G	Screw M4x10	SPORTSTAR-A-32-41-06-01A-941A-D	56	2
007361 (CSN 02 1143.54)	0396G	Screw M5x20	SPORTSTAR-A-53-20-01-01A-941A-D	5	3
007375 (ISO 4762)	0396G	Screw M5x16	SPORTSTAR-A-28-00-00-01B-941A-D	143	1
007376 (ISO 4026)	0396G	Screw M6x20	SPORTSTAR-A-27-30-01-01A-941A-D	3	2

Applicability: All

SPORTSTAR-A-00-00-00-00A-942A-A



Illustrated Parts Catalogue

Part Number	NCAGE	Nomenclature	DMC	Item	QNA
008551 (ISO 1580)	0396G	Screw M3x16	SPORTSTAR- A-52-10-06-01A-941A-D	10	6
009069	0396G	Screw M3x10	SPORTSTAR- A-34-11-00-01B-941A-D	64	3
009069	0396G	Screw M3x10	SPORTSTAR- A-34-11-00-01D-941A-D	64	3
009071 (CSN 02 1151.24)	0396G	Screw M3x12	SPORTSTAR- A-25-60-01-01A-941A-D	41	4
009802 (ISO 4762)	0396G	Screw M6x30	SPORTSTAR- A-25-11-01-01A-941A-D	11	2
009811 (ISO 7046-2)	0396G	Screw M5x16	SPORTSTAR- A-28-00-00-01A-941A-D	33	3
009811 (ISO 7046-2)	0396G	Screw M5x16	SPORTSTAR- A-28-00-00-01B-941A-D	33	3
009813 (ISO 7046-1)	0396G	Screw M3x12	SPORTSTAR- A-52-10-05-01A-941A-D	10	5
009818 (ISO 7046-1)	0396G	Screw M3x16	SPORTSTAR- A-33-40-03-01A-941A-D	45	6
009818 (ISO 7046-1)	0396G	Screw M3x16	SPORTSTAR- A-33-40-03-01B-941A-D	45	6
009823 (ISO 7046-1)	0396G	Screw M5x30	SPORTSTAR- A-52-10-00-01A-941A-D	27	2
010967 (ISO 7045)	0396G	Screw M5x25	SPORTSTAR- A-25-50-02-01A-941A-D	6	2
010967 (ISO 7045)	0396G	Screw M5x25	SPORTSTAR- A-25-60-03-01A-941A-D	41	4
010971 (ISO 7045)	0396G	Screw M3x12	SPORTSTAR- A-24-70-01-01A-941A-D	90	1
010971 (ISO 7045)	0396G	Screw M3x12	SPORTSTAR- A-25-11-03-01A-941A-D	7	2
010971 (ISO 7045)	0396G	Screw M3x12	SPORTSTAR- A-25-60-03-01A-941A-D	40	4
010971 (ISO 7045)	0396G	Screw M3x12	SPORTSTAR- A-34-20-01-01A-941A-D	15	2
010974 (ISO 7045)	0396G	Screw M4x5	SPORTSTAR- A-76-11-01-01A-941A-D	11	4
010979 (ISO 7380-1)	0396G	Screw M8x20	SPORTSTAR- A-24-40-00-01A-941A-D	50	2
010981 (ISO 7380-1)	0396G	Screw M3x6	SPORTSTAR- A-33-10-04-01A-941A-D	70	3
010984 (ISO 7380-1)	0396G	Screw M6x20	SPORTSTAR- A-32-20-01-01A-941A-D	1	2
010985	0396G	Screw M5x16	SPORTSTAR- A-32-10-01-01A-941A-D	7	6
010985	0396G	Screw M5x16	SPORTSTAR- A-32-10-01-01B-941A-D	20	6
010988 (ISO 7380)	0396G	Screw M3x12	SPORTSTAR- A-27-32-00-01A-941A-D	36	4
010993 (ISO 7046-1)	0396G	Screw M4x12	SPORTSTAR- A-39-10-01-01A-941A-D	8	9
010994 (ISO 7045)	0396G	Screw M4x12	SPORTSTAR- A-34-10-05-01A-941A-D	25	6

Applicability: All

SPORTSTAR-A-00-00-00-00A-942A-A

Illustrated Parts Catalogue

Part Number	NCAGE	Nomenclature	DMC	Item	QNA
010994 (ISO 7045)	0396G	Screw M4x12	SPORTSTAR-A-39-10-01-01A-941A-D	7	13
010994 (ISO 7045)	0396G	Screw M4x12	SPORTSTAR-A-39-10-02-01A-941A-D	30	3
010994 (ISO 7045)	0396G	Screw M4x12	SPORTSTAR-A-39-10-02-01B-941A-D	30	6
010994 (ISO 7045)	0396G	Screw M4x12	SPORTSTAR-A-39-10-04-01A-941A-D	2	4
011004 (ISO 7380-1)	0396G	Screw M6x16	SPORTSTAR-A-32-41-00-01A-941A-D	12	1
011004 (ISO 7380-1)	0396G	Screw M6x16	SPORTSTAR-A-32-41-04-01A-941A-A	12	1
011004 (ISO 7380-1)	0396G	Screw M6x16	SPORTSTAR-A-32-41-06-01A-941A-D	57	1
011006 (ISO 7047)	0396G	Screw M4x25	SPORTSTAR-A-34-10-03-01A-941A-D	104	8
011009 (ISO 7380-1)	0396G	Screw M5x35	SPORTSTAR-A-32-41-04-01A-941A-A	8	2
011031 (ISO 7380-1)	0396G	Screw M5x30	SPORTSTAR-A-32-41-00-01B-941A-D	353	2
011125 (ISO 4766)	0396G	Screw M6x25	SPORTSTAR-A-32-41-00-01B-941A-D	357	1
011182 (DIN 553)	0396G	Screw M3x6	SPORTSTAR-A-34-11-00-01A-941A-D	7	2
011202 (ISO 4027)	0396G	Screw M4x6	SPORTSTAR-A-71-60-00-01A-941A-D	25	1
011202 (ISO 4027)	0396G	Screw M4x6	SPORTSTAR-A-76-11-01-01A-941A-D	17	2
011750 (DIN 553)	0396G	Screw M4x8	SPORTSTAR-A-32-20-00-01A-941A-D	26	1
011751	0396G	Screw M3x20	SPORTSTAR-A-33-10-01-01A-941A-D	36	1
011797 (ISO 4762)	0396G	Screw M3x16	SPORTSTAR-A-33-10-01-01A-941A-D	35	2
011797 (ISO 4762)	0396G	Screw M3x16	SPORTSTAR-A-33-10-01-01B-941A-D	35	2
011797 (ISO 4762)	0396G	Screw M3x16	SPORTSTAR-A-33-10-01-01C-941A-D	35	2
011820 (ISO 4762)	0396G	Screw M6x20	SPORTSTAR-A-27-20-04-01B-941A-D	21	2
011820 (ISO 4762)	0396G	Screw M6x20	SPORTSTAR-A-28-00-00-01A-941A-D	43	1
011820 (ISO 4762)	0396G	Screw M6x20	SPORTSTAR-A-28-00-00-01B-941A-D	43	2
011820 (ISO 4762)	0396G	Screw M6x20	SPORTSTAR-A-52-10-00-01A-941A-D	25	4
011824	0396G	Screw M6x55	SPORTSTAR-A-25-10-02-01A-941A-D	4	2
011829 (ISO 4762)	0396G	Screw M6x50	SPORTSTAR-A-34-10-03-01A-941A-D	106	2
011829 (ISO 4762)	0396G	Screw M6x50	SPORTSTAR-A-34-10-04-01A-941A-D	96	2

Applicability: All

SPORTSTAR-A-00-00-00-00A-942A-A

Part Number	NCAGE	Nomenclature	DMC	Item	QNA
011829 (ISO 4762)	0396G	Screw M6x50	SPORTSTAR- A-34-10-06-01A-941A-A	96	2
011870 (ISO 10642)	0396G	Screw M4x16	SPORTSTAR- A-52-10-00-01A-941A-D	26	3
011872 (ISO 10642)	0396G	Screw M6x12	SPORTSTAR- A-27-50-01-01A-941A-D	9	2
011885 (ISO 7045)	0396G	Screw M3x10	SPORTSTAR- A-24-70-03-01A-941A-D	21	31
011886 (ISO 7045)	0396G	Screw M4x10	SPORTSTAR- A-32-41-00-01B-941A-D	356	2
011886 (ISO 7045)	0396G	Screw M4x10	SPORTSTAR- A-32-41-04-01A-941A-A	11	2
011886 (ISO 7045)	0396G	Screw M4x10	SPORTSTAR- A-76-10-01-01A-941A-D	9	1
011888 (ISO 7045)	0396G	Screw M4x12	SPORTSTAR- A-23-60-00-01A-941A-D	30	10
011888 (ISO 7045)	0396G	Screw M4x12	SPORTSTAR- A-24-70-02-01A-941A-D	90	3
011900 (ISO 4026)	0396G	Screw M3x4	SPORTSTAR- A-21-00-00-01A-941A-D	88	3
011900 (ISO 4026)	0396G	Screw M3x4	SPORTSTAR- A-71-60-00-01A-941A-D	28	1
011901 (ISO 4026)	0396G	Screw M6x6	SPORTSTAR- A-27-20-04-01B-941A-D	27	8
011920 (ISO 4027)	0396G	Screw M4x4	SPORTSTAR- A-21-00-00-01A-941A-D	98	3
011945 (ISO 7045)	0396G	Screw M3x4	SPORTSTAR- A-24-70-01-01A-941A-D	47	6
011945 (ISO 7045)	0396G	Screw M3x4	SPORTSTAR- A-24-70-02-01A-941A-D	86	4
011945 (ISO 7045)	0396G	Screw M3x4	SPORTSTAR- A-34-10-06-01A-941A-A	91	4
012060	0396G	Screw M5x30	SPORTSTAR- A-32-41-06-01A-941A-D	53	2
012100 (ISO 4014)	0396G	Screw M5x70	SPORTSTAR- A-27-30-00-01A-941A-D	12	4
012107 (ISO 4017)	0396G	Screw M5x30	SPORTSTAR- A-34-10-04-01A-941A-D	94	8
012107 (ISO 4017)	0396G	Screw M5x30	SPORTSTAR- A-34-10-06-01A-941A-A	94	8
014544	0396G	Screw M4x10	SPORTSTAR- A-75-00-00-01A-941A-D	15	2
015983	0396G	Screw M6x12	SPORTSTAR- A-32-20-00-01A-941A-D	27	2
015990	0396G	Screw 5x14	SPORTSTAR- A-32-41-00-01B-941A-D	358	1
015990	0396G	Screw 5x14	SPORTSTAR- A-32-41-04-01A-941A-A	13	1
015990	0396G	Screw 5x14	SPORTSTAR- A-32-41-06-01A-941A-D	58	1
016600	0396G	Screw 6x23	SPORTSTAR- A-27-10-00-01A-941A-D	8	9

Applicability: All

SPORTSTAR-A-00-00-00-00A-942A-A

Illustrated Parts Catalogue

Part Number	NCAGE	Nomenclature	DMC	Item	QNA
016600	0396G	Screw 6x23	SPORTSTAR-A-27-20-01-01A-941A-D	6	3
016600	0396G	Screw 6x23	SPORTSTAR-A-27-20-01-01B-941A-D	6	3
016600	0396G	Screw 6x23	SPORTSTAR-A-27-30-00-01A-941A-D	11	3
016600	0396G	Screw 6x23	SPORTSTAR-A-27-50-01-01A-941A-D	8	1
016602	0396G	Screw 6x23.5	SPORTSTAR-A-32-50-00-01A-941A-D	4	2
016650	0396G	Screw 6x25	SPORTSTAR-A-27-30-00-01A-941A-D	9	3
016700	0396G	Screw 6x27	SPORTSTAR-A-27-10-00-01A-941A-D	9	2
016802	0396G	Screw 6x31.5	SPORTSTAR-A-32-50-00-01A-941A-D	3	2
016850	0396G	Screw 6x33	SPORTSTAR-A-27-50-03-01A-941A-D	9	1
017050	0396G	Screw 6x41	SPORTSTAR-A-27-50-01-01A-941A-D	7	1
017050	0396G	Screw 6x41	SPORTSTAR-A-27-50-03-01A-941A-D	7	1
017100	0396G	Screw 6x43	SPORTSTAR-A-27-50-01-01A-941A-D	10	1
017250	0396G	Screw 6x49	SPORTSTAR-A-27-10-01-01A-941A-D	7	2
017350	0396G	Screw M6x55	SPORTSTAR-A-27-10-00-01A-941A-D	10	2
017500	0396G	Screw 6x63	SPORTSTAR-A-27-30-00-01A-941A-D	10	2
017800	0396G	Screw 8x25	SPORTSTAR-A-57-10-01-01A-941A-D	2	2
018200	0396G	Screw 8x41	SPORTSTAR-A-27-20-02-01A-941A-D	12	4
018201	0396G	Screw 8x42	SPORTSTAR-A-32-20-00-01A-941A-D	23	2
018250	0396G	Screw 8x43	SPORTSTAR-A-27-20-02-01B-941A-D	12	4
018731	0396G	Bolt 8x94	SPORTSTAR-A-32-20-00-01A-941A-D	22	2
023710	0396G	Screw 8-32x0.312"	SPORTSTAR-A-34-10-04-01A-941A-D	89	12
023710	0396G	Screw 8-32x0.312"	SPORTSTAR-A-34-10-06-01A-941A-A	89	12
023803	0396G	Screw 6-32x1"	SPORTSTAR-A-34-12-00-01A-941A-D	16	10
023803	0396G	Screw 6-32x1"	SPORTSTAR-A-34-13-00-01A-941A-D	16	6
023803	0396G	Screw 6-32x1"	SPORTSTAR-A-34-14-00-01A-941A-D	16	3
023803	0396G	Screw 6-32x1"	SPORTSTAR-A-34-15-00-01A-941A-D	16	7

Applicability: All

SPORTSTAR-A-00-00-00-00A-942A-A

Part Number	NCAGE	Nomenclature	DMC	Item	QNA
023803	0396G	Screw 6-32x1"	SPORTSTAR- A-34-16-00-01A-941A-D	16	3
023803	0396G	Screw 6-32x1"	SPORTSTAR- A-34-20-04-01A-941A-D	30	4
023804	0396G	Screw 6-32x0.38"	SPORTSTAR- A-31-20-01-01A-941A-D	27	4
023804	0396G	Screw 6-32x0.38"	SPORTSTAR- A-31-20-02-01A-941A-D	27	4
023804	0396G	Screw 6-32x0.38"	SPORTSTAR- A-31-20-03-01A-941A-D	27	4
023804	0396G	Screw 6-32x0.38"	SPORTSTAR- A-34-20-03-01A-941A-D	27	3
023804	0396G	Screw 6-32x0.38"	SPORTSTAR- A-34-20-05-01A-941A-D	28	4
023805	0396G	Screw 6-32x0.75"	SPORTSTAR- A-24-30-02-01A-941A-D	25	4
023805	0396G	Screw 6-32x0.75"	SPORTSTAR- A-34-10-01-01A-941A-D	28	4
023805	0396G	Screw 6-32x0.75"	SPORTSTAR- A-34-12-00-01A-941A-D	15	4
023805	0396G	Screw 6-32x0.75"	SPORTSTAR- A-34-13-00-01A-941A-D	15	8
023805	0396G	Screw 6-32x0.75"	SPORTSTAR- A-34-14-00-01A-941A-D	15	4
023805	0396G	Screw 6-32x0.75"	SPORTSTAR- A-34-16-00-01A-941A-D	15	4
023805	0396G	Screw 6-32x0.75"	SPORTSTAR- A-34-20-02-01A-941A-D	27	3
023805	0396G	Screw 6-32x0.75"	SPORTSTAR- A-77-00-00-01A-941A-D	45	24
023805	0396G	Screw 6-32x0.75"	SPORTSTAR- A-77-10-01-01A-941A-D	10	4
023861	0396G	Screw with flat head	SPORTSTAR- A-52-10-01-01A-941A-D	17	2
026701	0396G	Pin	SPORTSTAR- A-27-20-04-01B-941A-D	11	4
028698	0396G	Pin 5x20	SPORTSTAR- A-32-41-00-01A-941A-D	24	4
028700	0396G	Pin 5x22	SPORTSTAR- A-32-41-00-01B-941A-D	77	4
029020	0396G	Pin 6x36	SPORTSTAR- A-27-50-01-01A-941A-D	18	1
029330	0396G	Pin 6x20	SPORTSTAR- A-32-41-00-01B-941A-D	76	4
029900	0396G	Pin 8x22	SPORTSTAR- A-32-41-01-01A-941A-D	12	2
030090 (DIN 71752)	0396G	Fork with pin	SPORTSTAR- A-32-41-02-01A-941A-D	31	1
030090 (DIN 71752)	0396G	Fork with pin	SPORTSTAR- A-32-41-03-01A-941A-D	8	1
030391	0396G	Nut M6	SPORTSTAR- A-24-31-00-01A-941A-D	79	2

Applicability: All

SPORTSTAR-A-00-00-00-00A-942A-A

Illustrated Parts Catalogue

Part Number	NCAGE	Nomenclature	DMC	Item	QNA
030536 (ISO 4032)	0396G	Nut M3	SPORTSTAR-A-33-10-04-01A-941A-D	90	1
031552 (ISO 4035)	0396G	Nut M8	SPORTSTAR-A-27-30-06-01A-941A-A	8	1
031552 (ISO 4035)	0396G	Nut M8	SPORTSTAR-A-55-00-00-01A-941A-D	40	1
031552 (ISO 4035)	0396G	Nut M8	SPORTSTAR-A-71-60-00-01A-941A-D	23	1
031651 (ISO 4035)	0396G	Nut M10	SPORTSTAR-A-28-00-00-01A-941A-D	16	3
031651 (ISO 4035)	0396G	Nut M10	SPORTSTAR-A-28-00-00-01B-941A-D	16	3
031651 (ISO 4035)	0396G	Nut M10	SPORTSTAR-A-34-10-03-01A-941A-D	112	1
031651 (ISO 4035)	0396G	Nut M10	SPORTSTAR-A-34-10-04-01A-941A-D	104	2
031651 (ISO 4035)	0396G	Nut M10	SPORTSTAR-A-34-10-06-01A-941A-A	104	2
031651 (ISO 4035)	0396G	Nut M10	SPORTSTAR-A-77-10-01-01A-941A-D	4	1
031850 (ISO 4032)	0396G	Nut M12	SPORTSTAR-A-76-11-01-01A-941A-D	9	1
031901 (ISO 4035)	0396G	Nut M6	SPORTSTAR-A-27-10-02-01A-941A-D	2	2
031901 (ISO 4035)	0396G	Nut M6	SPORTSTAR-A-27-10-03-01A-941A-D	2	2
031901 (ISO 4035)	0396G	Nut M6	SPORTSTAR-A-27-10-04-01A-941A-D	3	2
031901 (ISO 4035)	0396G	Nut M6	SPORTSTAR-A-27-10-06-01A-941A-D	2	2
031901 (ISO 4035)	0396G	Nut M6	SPORTSTAR-A-27-20-03-01A-941A-D	6	6
031901 (ISO 4035)	0396G	Nut M6	SPORTSTAR-A-27-20-04-01B-941A-D	18	15
031901 (ISO 4035)	0396G	Nut M6	SPORTSTAR-A-27-30-02-01A-941A-D	3	2
031901 (ISO 4035)	0396G	Nut M6	SPORTSTAR-A-27-30-04-01A-941A-D	3	2
031901 (ISO 4035)	0396G	Nut M6	SPORTSTAR-A-27-30-06-01A-941A-A	7	1
031901 (ISO 4035)	0396G	Nut M6	SPORTSTAR-A-27-50-01-01A-941A-D	13	15
031901 (ISO 4035)	0396G	Nut M6	SPORTSTAR-A-27-50-02-01A-941A-D	3	4
031901 (ISO 4035)	0396G	Nut M6	SPORTSTAR-A-32-50-00-01A-941A-D	12	4
031901 (ISO 4035)	0396G	Nut M6	SPORTSTAR-A-52-10-00-01A-941A-D	33	2
031920 (DIN 439 B)	0396G	Nut M16x1	SPORTSTAR-A-32-41-00-01A-941A-D	17	1
031920 (DIN 439 B)	0396G	Nut M16x1	SPORTSTAR-A-32-41-00-01B-941A-D	45	1

Applicability: All

SPORTSTAR-A-00-00-00-00A-942A-A

Part Number	NCAGE	Nomenclature	DMC	Item	QNA
032050 (CSN 02 1411.24)	0396G	Nut M5	SPORTSTAR-A-55-00-00-01A-941A-D	20	1
032075 (DIN 935)	0396G	Nut M6	SPORTSTAR-A-27-10-00-01A-941A-D	18	6
032075 (DIN 935)	0396G	Nut M6	SPORTSTAR-A-27-30-00-01A-941A-D	18	6
032253 (ISO 7038)	0396G	Nut M8	SPORTSTAR-A-27-20-02-01A-941A-D	13	4
032253 (ISO 7038)	0396G	Nut M8	SPORTSTAR-A-27-20-02-01B-941A-D	13	4
032300 (CSN 02 1413.44)	0396G	Nut M6	SPORTSTAR-A-10-00-01-01A-941A-D	13	4
032300 (CSN 02 1413.44)	0396G	Nut M6	SPORTSTAR-A-27-10-00-01A-941A-D	11	4
032300 (CSN 02 1413.44)	0396G	Nut M6	SPORTSTAR-A-27-10-01-01A-941A-D	8	2
032300 (CSN 02 1413.44)	0396G	Nut M6	SPORTSTAR-A-27-30-00-01A-941A-D	13	2
032300 (CSN 02 1413.44)	0396G	Nut M6	SPORTSTAR-A-27-50-01-01A-941A-D	12	1
032300 (CSN 02 1413.44)	0396G	Nut M6	SPORTSTAR-A-32-50-00-01A-941A-D	5	4
032350 (CSN 02 1413.44)	0396G	Nut M8	SPORTSTAR-A-10-00-01-01A-941A-D	14	2
032350 (CSN 02 1413.44)	0396G	Nut M8	SPORTSTAR-A-27-20-01-01A-941A-D	10	2
032350 (CSN 02 1413.44)	0396G	Nut M8	SPORTSTAR-A-27-20-01-01B-941A-D	10	2
032350 (CSN 02 1413.44)	0396G	Nut M8	SPORTSTAR-A-32-10-00-01A-941A-D	13	4
032350 (CSN 02 1413.44)	0396G	Nut M8	SPORTSTAR-A-32-10-00-01B-941A-D	27	4
032350 (CSN 02 1413.44)	0396G	Nut M8	SPORTSTAR-A-32-20-00-01A-941A-D	29	3
032350 (CSN 02 1413.44)	0396G	Nut M8	SPORTSTAR-A-55-00-00-01A-941A-D	21	2
032679 (DIN 980 V)	0396G	Nut M3	SPORTSTAR-A-24-70-02-01A-941A-D	95	2
032679 (DIN 980 V)	0396G	Nut M3	SPORTSTAR-A-24-70-03-01A-941A-D	25	7
033598 (OST 1 33074-80)	0396G	Anchor nut M3	SPORTSTAR-A-24-70-01-01A-941A-D	53	1
033601	0396G	Nut M4	SPORTSTAR-A-12-31-00-01A-941A-D	21	3
033601	0396G	Nut M4	SPORTSTAR-A-25-11-00-01A-941A-D	30	2
033601	0396G	Nut M4	SPORTSTAR-A-32-41-04-01A-941A-A	17	1
033601	0396G	Nut M4	SPORTSTAR-A-32-41-06-01A-941A-D	62	1
033601	0396G	Nut M4	SPORTSTAR-A-39-10-02-01A-941A-D	40	2

Applicability: All

SPORTSTAR-A-00-00-00-00A-942A-A

Illustrated Parts Catalogue

Part Number	NCAGE	Nomenclature	DMC	Item	QNA
033601	0396G	Nut M4	SPORTSTAR-A-39-10-02-01B-941A-D	40	2
033601	0396G	Nut M4	SPORTSTAR-A-52-10-00-01A-941A-D	34	3
033651	0396G	Nut M4	SPORTSTAR-A-25-11-00-01A-941A-D	29	6
033651	0396G	Nut M4	SPORTSTAR-A-34-11-00-01D-941A-D	13	4
033651	0396G	Nut M4	SPORTSTAR-A-39-10-02-01A-941A-D	20	1
033651	0396G	Nut M4	SPORTSTAR-A-39-10-02-01B-941A-D	20	2
033651	0396G	Nut M4	SPORTSTAR-A-71-10-00-01A-941A-D	14	10
033675	0396G	Anchor nut M4	SPORTSTAR-A-71-10-00-01B-941A-D	14	8
033676	0396G	Anchor nut M5	SPORTSTAR-A-28-00-00-01A-941A-D	19	3
033850 (DIN 980 V)	0396G	Nut M4	SPORTSTAR-A-10-00-01-01A-941A-D	15	4
033850 (DIN 980 V)	0396G	Nut M4	SPORTSTAR-A-21-00-00-01A-941A-D	168	4
033850 (DIN 980 V)	0396G	Nut M4	SPORTSTAR-A-24-30-00-01A-941A-D	81	14
033850 (DIN 980 V)	0396G	Nut M4	SPORTSTAR-A-24-30-01-01A-941A-D	22	2
033850 (DIN 980 V)	0396G	Nut M4	SPORTSTAR-A-24-31-00-01A-941A-D	81	14
033850 (DIN 980 V)	0396G	Nut M4	SPORTSTAR-A-24-31-00-01B-941A-D	81	16
033850 (DIN 980 V)	0396G	Nut M4	SPORTSTAR-A-24-31-00-01C-941A-D	81	16
033850 (DIN 980 V)	0396G	Nut M4	SPORTSTAR-A-24-40-00-01A-941A-D	57	1
033850 (DIN 980 V)	0396G	Nut M4	SPORTSTAR-A-24-60-02-01A-941A-D	31	1
033850 (DIN 980 V)	0396G	Nut M4	SPORTSTAR-A-24-60-02-01B-941A-D	31	1
033850 (DIN 980 V)	0396G	Nut M4	SPORTSTAR-A-24-70-02-01A-941A-D	92	3
033850 (DIN 980 V)	0396G	Nut M4	SPORTSTAR-A-25-10-03-01A-941A-D	40	4
033850 (DIN 980 V)	0396G	Nut M4	SPORTSTAR-A-25-11-00-01A-941A-D	37	10
033850 (DIN 980 V)	0396G	Nut M4	SPORTSTAR-A-27-20-03-01A-941A-D	7	16
033850 (DIN 980 V)	0396G	Nut M4	SPORTSTAR-A-27-20-04-01A-941A-D	6	4
033850 (DIN 980 V)	0396G	Nut M4	SPORTSTAR-A-27-31-00-01A-941A-D	19	1
033850 (DIN 980 V)	0396G	Nut M4	SPORTSTAR-A-27-50-03-01A-941A-D	12	16

Applicability: All

SPORTSTAR-A-00-00-00-00A-942A-A

Part Number	NCAGE	Nomenclature	DMC	Item	QNA
033850 (DIN 980 V)	0396G	Nut M4	SPORTSTAR-A-28-00-00-01A-941A-D	14	25
033850 (DIN 980 V)	0396G	Nut M4	SPORTSTAR-A-28-00-00-01B-941A-D	14	25
033850 (DIN 980 V)	0396G	Nut M4	SPORTSTAR-A-31-50-02-01A-941A-D	47	1
033850 (DIN 980 V)	0396G	Nut M4	SPORTSTAR-A-32-41-00-01A-941A-D	5	1
033850 (DIN 980 V)	0396G	Nut M4	SPORTSTAR-A-32-41-00-01B-941A-D	50	1
033850 (DIN 980 V)	0396G	Nut M4	SPORTSTAR-A-32-41-04-01A-941A-A	23	2
033850 (DIN 980 V)	0396G	Nut M4	SPORTSTAR-A-32-41-06-01A-941A-D	68	2
033850 (DIN 980 V)	0396G	Nut M4	SPORTSTAR-A-33-10-02-01A-941A-D	38	5
033850 (DIN 980 V)	0396G	Nut M4	SPORTSTAR-A-33-40-01-01A-941A-D	72	5
033850 (DIN 980 V)	0396G	Nut M4	SPORTSTAR-A-33-40-01-01B-941A-D	72	5
033850 (DIN 980 V)	0396G	Nut M4	SPORTSTAR-A-33-40-01-01C-941A-D	72	5
033850 (DIN 980 V)	0396G	Nut M4	SPORTSTAR-A-33-40-01-01D-941A-D	72	5
033850 (DIN 980 V)	0396G	Nut M4	SPORTSTAR-A-34-10-02-01A-941A-D	21	7
033850 (DIN 980 V)	0396G	Nut M4	SPORTSTAR-A-34-10-03-01A-941A-D	109	16
033850 (DIN 980 V)	0396G	Nut M4	SPORTSTAR-A-34-10-04-01A-941A-D	100	12
033850 (DIN 980 V)	0396G	Nut M4	SPORTSTAR-A-34-10-05-01A-941A-D	21	7
033850 (DIN 980 V)	0396G	Nut M4	SPORTSTAR-A-34-10-06-01A-941A-A	100	12
033850 (DIN 980 V)	0396G	Nut M4	SPORTSTAR-A-34-11-00-01B-941A-D	67	4
033850 (DIN 980 V)	0396G	Nut M4	SPORTSTAR-A-34-11-00-01D-941A-D	67	4
033850 (DIN 980 V)	0396G	Nut M4	SPORTSTAR-A-39-10-04-01A-941A-D	3	4
033850 (DIN 980 V)	0396G	Nut M4	SPORTSTAR-A-52-10-04-01A-941A-D	49	2
033850 (DIN 980 V)	0396G	Nut M4	SPORTSTAR-A-71-60-00-01A-941A-D	30	2
033850 (DIN 980 V)	0396G	Nut M4	SPORTSTAR-A-75-00-00-01A-941A-D	13	2
033855 (DIN 980 V)	0396G	Nut M5	SPORTSTAR-A-10-00-01-01A-941A-D	16	4
033855 (DIN 980 V)	0396G	Nut M5	SPORTSTAR-A-24-30-00-01A-941A-D	80	4
033855 (DIN 980 V)	0396G	Nut M5	SPORTSTAR-A-24-31-00-01A-941A-D	80	10

Applicability: All

SPORTSTAR-A-00-00-00-00A-942A-A

Illustrated Parts Catalogue

Part Number	NCAGE	Nomenclature	DMC	Item	QNA
033855 (DIN 980 V)	0396G	Nut M5	SPORTSTAR-A-24-31-00-01B-941A-D	80	10
033855 (DIN 980 V)	0396G	Nut M5	SPORTSTAR-A-24-31-00-01C-941A-D	80	10
033855 (DIN 980 V)	0396G	Nut M5	SPORTSTAR-A-24-40-00-01A-941A-D	56	2
033855 (DIN 980 V)	0396G	Nut M5	SPORTSTAR-A-25-10-02-01A-941A-D	5	2
033855 (DIN 980 V)	0396G	Nut M5	SPORTSTAR-A-25-60-04-01A-941A-D	22	2
033855 (DIN 980 V)	0396G	Nut M5	SPORTSTAR-A-27-20-01-01A-941A-D	8	8
033855 (DIN 980 V)	0396G	Nut M5	SPORTSTAR-A-27-20-01-01B-941A-D	8	8
033855 (DIN 980 V)	0396G	Nut M5	SPORTSTAR-A-32-41-00-01B-941A-D	355	3
033855 (DIN 980 V)	0396G	Nut M5	SPORTSTAR-A-32-41-04-01A-941A-A	10	3
033855 (DIN 980 V)	0396G	Nut M5	SPORTSTAR-A-32-41-06-01A-941A-D	55	3
033855 (DIN 980 V)	0396G	Nut M5	SPORTSTAR-A-34-10-03-01A-941A-D	110	4
033855 (DIN 980 V)	0396G	Nut M5	SPORTSTAR-A-34-10-04-01A-941A-D	101	2
033855 (DIN 980 V)	0396G	Nut M5	SPORTSTAR-A-34-10-06-01A-941A-A	101	2
033855 (DIN 980 V)	0396G	Nut M5	SPORTSTAR-A-71-00-01-01A-941A-D	30	2
033855 (DIN 980 V)	0396G	Nut M5	SPORTSTAR-A-71-00-02-01A-941A-D	30	2
033855 (DIN 980 V)	0396G	Nut M5	SPORTSTAR-A-71-00-03-01A-941A-D	30	2
033855 (DIN 980 V)	0396G	Nut M5	SPORTSTAR-A-79-00-00-01A-941A-D	25	2
033855 (DIN 980 V)	0396G	Nut M5	SPORTSTAR-A-79-00-00-01B-941A-D	25	2
033857	0396G	Nut M8	SPORTSTAR-A-57-10-01-01A-941A-D	9	2
033860 (DIN 980 V)	0396G	Nut M6	SPORTSTAR-A-10-00-01-01A-941A-D	17	6
033860 (DIN 980 V)	0396G	Nut M6	SPORTSTAR-A-21-00-00-01A-941A-D	108	3
033860 (DIN 980 V)	0396G	Nut M6	SPORTSTAR-A-24-70-01-01A-941A-D	19	2
033860 (DIN 980 V)	0396G	Nut M6	SPORTSTAR-A-25-10-02-01A-941A-D	6	4
033860 (DIN 980 V)	0396G	Nut M6	SPORTSTAR-A-25-11-01-01A-941A-D	15	6
033860 (DIN 980 V)	0396G	Nut M6	SPORTSTAR-A-25-60-04-01A-941A-D	21	3
033860 (DIN 980 V)	0396G	Nut M6	SPORTSTAR-A-26-20-01-01A-941A-D	11	2

Applicability: All

SPORTSTAR-A-00-00-00-00A-942A-A

Part Number	NCAGE	Nomenclature	DMC	Item	QNA
033860 (DIN 980 V)	0396G	Nut M6	SPORTSTAR-A-27-20-04-01B-941A-D	17	9
033860 (DIN 980 V)	0396G	Nut M6	SPORTSTAR-A-27-50-01-01A-941A-D	11	9
033860 (DIN 980 V)	0396G	Nut M6	SPORTSTAR-A-27-50-03-01A-941A-D	10	9
033860 (DIN 980 V)	0396G	Nut M6	SPORTSTAR-A-32-20-00-01A-941A-D	30	4
033860 (DIN 980 V)	0396G	Nut M6	SPORTSTAR-A-32-41-00-01A-941A-D	16	1
033860 (DIN 980 V)	0396G	Nut M6	SPORTSTAR-A-33-40-01-01A-941A-D	73	1
033860 (DIN 980 V)	0396G	Nut M6	SPORTSTAR-A-33-40-01-01B-941A-D	73	1
033860 (DIN 980 V)	0396G	Nut M6	SPORTSTAR-A-33-40-01-01C-941A-D	73	1
033860 (DIN 980 V)	0396G	Nut M6	SPORTSTAR-A-33-40-01-01D-941A-D	73	1
033860 (DIN 980 V)	0396G	Nut M6	SPORTSTAR-A-34-10-03-01A-941A-D	111	2
033860 (DIN 980 V)	0396G	Nut M6	SPORTSTAR-A-34-10-04-01A-941A-D	103	2
033860 (DIN 980 V)	0396G	Nut M6	SPORTSTAR-A-34-10-06-01A-941A-A	103	2
033860 (DIN 980 V)	0396G	Nut M6	SPORTSTAR-A-52-10-00-01A-941A-D	31	10
033860 (DIN 980 V)	0396G	Nut M6	SPORTSTAR-A-71-00-01-01A-941A-D	15	1
033860 (DIN 980 V)	0396G	Nut M6	SPORTSTAR-A-71-00-02-01A-941A-D	15	1
033860 (DIN 980 V)	0396G	Nut M6	SPORTSTAR-A-71-00-03-01A-941A-D	15	1
033860 (DIN 980 V)	0396G	Nut M6	SPORTSTAR-A-71-60-00-01A-941A-D	26	3
033860 (DIN 980 V)	0396G	Nut M6	SPORTSTAR-A-79-00-00-01A-941A-D	32	2
033860 (DIN 980 V)	0396G	Nut M6	SPORTSTAR-A-79-00-00-01B-941A-D	32	2
033870 (ISO 7042)	0396G	Nut M8	SPORTSTAR-A-25-60-04-01A-941A-D	26	4
033870 (ISO 7042)	0396G	Nut M8	SPORTSTAR-A-27-50-03-01A-941A-D	11	2
033870 (ISO 7042)	0396G	Nut M8	SPORTSTAR-A-32-10-00-01A-941A-D	16	2
033870 (ISO 7042)	0396G	Nut M8	SPORTSTAR-A-32-10-00-01B-941A-D	26	2
033870 (ISO 7042)	0396G	Nut M8	SPORTSTAR-A-32-20-00-01A-941A-D	31	1
033870 (ISO 7042)	0396G	Nut M8	SPORTSTAR-A-55-00-00-01A-941A-D	42	1
035390 (DIN 934)	0396G	Nut M6	SPORTSTAR-A-32-10-00-01B-941A-D	25	8

Applicability: All

SPORTSTAR-A-00-00-00-00A-942A-A

Illustrated Parts Catalogue

Part Number	NCAGE	Nomenclature	DMC	Item	QNA
035403 (DIN 985)	0396G	Nut M2	SPORTSTAR-A-31-50-02-01A-941A-D	32	2
035403 (DIN 985)	0396G	Nut M2	SPORTSTAR-A-31-50-03-01A-941A-D	32	2
035403 (DIN 985)	0396G	Nut M2	SPORTSTAR-A-52-10-01-01A-941A-D	12	2
035404	0396G	Nut M6	SPORTSTAR-A-24-30-00-01A-941A-D	79	1
035404	0396G	Nut M6	SPORTSTAR-A-24-31-00-01B-941A-D	79	2
035404	0396G	Nut M6	SPORTSTAR-A-24-31-00-01C-941A-D	79	2
035404	0396G	Nut M6	SPORTSTAR-A-27-10-00-01A-941A-D	16	4
035404	0396G	Nut M6	SPORTSTAR-A-27-30-01-01A-941A-D	2	3
035406 (ISO 4032)	0396G	Nut M6	SPORTSTAR-A-24-40-00-01A-941A-D	55	2
035410	0396G	Anchor nut M4	SPORTSTAR-A-23-60-00-01A-941A-D	20	10
035410	0396G	Anchor nut M4	SPORTSTAR-A-25-60-02-01A-941A-D	502	4
035410	0396G	Anchor nut M4	SPORTSTAR-A-28-00-00-01A-941A-D	13	5
035410	0396G	Anchor nut M4	SPORTSTAR-A-28-00-00-01B-941A-D	13	5
035410	0396G	Anchor nut M4	SPORTSTAR-A-32-41-00-01B-941A-D	51	10
035410	0396G	Anchor nut M4	SPORTSTAR-A-33-40-02-01A-941A-D	50	6
035410	0396G	Anchor nut M4	SPORTSTAR-A-34-10-05-01A-941A-D	24	6
035410	0396G	Anchor nut M4	SPORTSTAR-A-39-10-01-01A-941A-D	11	22
035410	0396G	Anchor nut M4	SPORTSTAR-A-55-00-00-01A-941A-D	22	18
035413 (DIN 985)	0396G	Nut M3	SPORTSTAR-A-25-11-00-01A-941A-D	28	6
035413 (DIN 985)	0396G	Nut M3	SPORTSTAR-A-25-60-01-01A-941A-D	43	2
035413 (DIN 985)	0396G	Nut M3	SPORTSTAR-A-25-60-02-01A-941A-D	43	2
035413 (DIN 985)	0396G	Nut M3	SPORTSTAR-A-25-60-03-01A-941A-D	43	4
035413 (DIN 985)	0396G	Nut M3	SPORTSTAR-A-27-31-00-01A-941A-D	81	2
035414 (DIN 985)	0396G	Nut M4	SPORTSTAR-A-33-40-02-01A-941A-D	51	7
035414 (DIN 985)	0396G	Nut M4	SPORTSTAR-A-33-40-03-01A-941A-D	51	1
035418 (DIN 985)	0396G	Nut M8	SPORTSTAR-A-24-40-00-01A-941A-D	54	2

Applicability: All

SPORTSTAR-A-00-00-00-00A-942A-A

Illustrated Parts Catalogue

Part Number	NCAGE	Nomenclature	DMC	Item	QNA
035425	0396G	Anchor nut M3	SPORTSTAR- A-25-60-01-01A-941A-D	44	4
035425	0396G	Anchor nut M3	SPORTSTAR- A-27-32-00-01A-941A-D	38	4
035425	0396G	Anchor nut M3	SPORTSTAR- A-33-10-01-01A-941A-D	38	2
035425	0396G	Anchor nut M3	SPORTSTAR- A-33-10-01-01B-941A-D	36	2
035425	0396G	Anchor nut M3	SPORTSTAR- A-33-10-01-01C-941A-D	36	2
035425	0396G	Anchor nut M3	SPORTSTAR- A-33-40-03-01A-941A-D	48	6
035425	0396G	Anchor nut M3	SPORTSTAR- A-33-40-03-01B-941A-D	48	6
035425	0396G	Anchor nut M3	SPORTSTAR- A-34-20-01-01A-941A-D	17	2
035425	0396G	Anchor nut M3	SPORTSTAR- A-52-10-05-01A-941A-D	15	5
035425	0396G	Anchor nut M3	SPORTSTAR- A-52-10-06-01A-941A-D	12	6
035427	0396G	Anchor nut M5	SPORTSTAR- A-25-60-03-01A-941A-D	44	4
035427	0396G	Anchor nut M5	SPORTSTAR- A-34-10-04-01A-941A-D	102	8
035427	0396G	Anchor nut M5	SPORTSTAR- A-34-10-06-01A-941A-A	102	8
036345 (ISO 7089)	0396G	Washer 17	SPORTSTAR- A-32-41-00-01A-941A-D	18	1
036345 (ISO 7089)	0396G	Washer 17	SPORTSTAR- A-32-41-00-01B-941A-D	63	1
036600	0396G	Washer 4.3	SPORTSTAR- A-32-10-01-01B-941A-D	25	2
036747 (ISO 7093)	0396G	Washer 6.4	SPORTSTAR- A-25-10-02-01A-941A-D	7	14
036747 (ISO 7093)	0396G	Washer 6.4	SPORTSTAR- A-27-20-04-01B-941A-D	22	4
036747 (ISO 7093)	0396G	Washer 6.4	SPORTSTAR- A-32-40-01-01A-941A-D	10	6
036747 (ISO 7093)	0396G	Washer 6.4	SPORTSTAR- A-32-40-03-01A-941A-D	13	6
036747 (ISO 7093)	0396G	Washer 6.4	SPORTSTAR- A-75-00-00-01A-941A-D	16	4
037080 (DIN 7980)	0396G	Washer 3.1	SPORTSTAR- A-24-70-03-01A-941A-D	24	5
037090	0396G	Washer 6.1	SPORTSTAR- A-24-30-00-01A-941A-D	83	1
037090	0396G	Washer 6.1	SPORTSTAR- A-24-31-00-01A-941A-D	83	2
037090	0396G	Washer 6.1	SPORTSTAR- A-24-31-00-01B-941A-D	83	2
037090	0396G	Washer 6.1	SPORTSTAR- A-24-31-00-01C-941A-D	83	2

Applicability: All

SPORTSTAR-A-00-00-00-00A-942A-A

Illustrated Parts Catalogue

Part Number	NCAGE	Nomenclature	DMC	Item	QNA
037152 (DIN 7980)	0396G	Washer 4.1	SPORTSTAR-A-34-10-04-01A-941A-D	105	12
037152 (DIN 7980)	0396G	Washer 4.1	SPORTSTAR-A-34-10-06-01A-941A-A	105	12
037209 (DIN 7980)	0396G	Washer 10.2	SPORTSTAR-A-71-00-01-01A-941A-D	37	6
037209 (DIN 7980)	0396G	Washer 10.2	SPORTSTAR-A-71-00-02-01A-941A-D	37	6
037209 (DIN 7980)	0396G	Washer 10.2	SPORTSTAR-A-71-00-03-01A-941A-D	37	6
037273	0396G	Washer 6.1	SPORTSTAR-A-24-40-00-01A-941A-D	61	2
037651 (DIN 93)	0396G	Washer 6.4	SPORTSTAR-A-27-10-02-01A-941A-D	3	2
037652 (DIN 93)	0396G	Washer 5.3	SPORTSTAR-A-27-20-01-01A-941A-D	11	12
037652 (DIN 93)	0396G	Washer 5.3	SPORTSTAR-A-27-20-01-01B-941A-D	11	12
037652 (DIN 93)	0396G	Washer 5.3	SPORTSTAR-A-27-30-00-01A-941A-D	16	4
038126 (DIN 463)	0396G	Washer 6.4	SPORTSTAR-A-10-00-01-01A-941A-D	28	4
038126 (DIN 463)	0396G	Washer 6.4	SPORTSTAR-A-27-10-03-01A-941A-D	3	2
038126 (DIN 463)	0396G	Washer 6.4	SPORTSTAR-A-27-10-04-01A-941A-D	4	1
038126 (DIN 463)	0396G	Washer 6.4	SPORTSTAR-A-27-10-06-01A-941A-D	3	2
038126 (DIN 463)	0396G	Washer 6.4	SPORTSTAR-A-27-20-01-01A-941A-D	15	4
038126 (DIN 463)	0396G	Washer 6.4	SPORTSTAR-A-27-20-01-01B-941A-D	15	4
038126 (DIN 463)	0396G	Washer 6.4	SPORTSTAR-A-27-30-02-01A-941A-D	4	2
038126 (DIN 463)	0396G	Washer 6.4	SPORTSTAR-A-27-30-04-01A-941A-D	4	2
038126 (DIN 463)	0396G	Washer 6.4	SPORTSTAR-A-27-30-06-01A-941A-A	10	1
038126 (DIN 463)	0396G	Washer 6.4	SPORTSTAR-A-27-50-01-01A-941A-D	15	4
038126 (DIN 463)	0396G	Washer 6.4	SPORTSTAR-A-27-50-02-01A-941A-D	4	4
038126 (DIN 463)	0396G	Washer 6.4	SPORTSTAR-A-32-50-00-01A-941A-D	13	4
038180 (ISO 7093)	0396G	Washer 5.3	SPORTSTAR-A-32-41-04-01A-941A-A	19	4
038193 (ISO 7089)	0396G	Washer 5.3	SPORTSTAR-A-10-00-01-01A-941A-D	19	2
038193 (ISO 7089)	0396G	Washer 5.3	SPORTSTAR-A-24-30-00-01A-941A-D	85	4
038193 (ISO 7089)	0396G	Washer 5.3	SPORTSTAR-A-24-31-00-01A-941A-D	85	16

Applicability: All

SPORTSTAR-A-00-00-00-00A-942A-A

Part Number	NCAGE	Nomenclature	DMC	Item	QNA
038193 (ISO 7089)	0396G	Washer 5.3	SPORTSTAR-A-24-31-00-01B-941A-D	85	16
038193 (ISO 7089)	0396G	Washer 5.3	SPORTSTAR-A-24-31-00-01C-941A-D	85	16
038193 (ISO 7089)	0396G	Washer 5.3	SPORTSTAR-A-24-40-00-01A-941A-D	62	2
038193 (ISO 7089)	0396G	Washer 5.3	SPORTSTAR-A-25-10-02-01A-941A-D	8	2
038193 (ISO 7089)	0396G	Washer 5.3	SPORTSTAR-A-25-50-02-01A-941A-D	7	2
038193 (ISO 7089)	0396G	Washer 5.3	SPORTSTAR-A-25-60-04-01A-941A-D	28	2
038193 (ISO 7089)	0396G	Washer 5.3	SPORTSTAR-A-27-20-01-01A-941A-D	13	8
038193 (ISO 7089)	0396G	Washer 5.3	SPORTSTAR-A-27-20-01-01B-941A-D	13	8
038193 (ISO 7089)	0396G	Washer 5.3	SPORTSTAR-A-32-41-00-01A-941A-D	25	4
038193 (ISO 7089)	0396G	Washer 5.3	SPORTSTAR-A-32-41-00-01B-941A-D	354	9
038193 (ISO 7089)	0396G	Washer 5.3	SPORTSTAR-A-32-41-04-01A-941A-A	9	3
038193 (ISO 7089)	0396G	Washer 5.3	SPORTSTAR-A-32-41-06-01A-941A-D	54	5
038193 (ISO 7089)	0396G	Washer 5.3	SPORTSTAR-A-34-10-03-01A-941A-D	116	4
038193 (ISO 7089)	0396G	Washer 5.3	SPORTSTAR-A-34-10-04-01A-941A-D	107	10
038193 (ISO 7089)	0396G	Washer 5.3	SPORTSTAR-A-34-10-06-01A-941A-A	107	10
038193 (ISO 7089)	0396G	Washer 5.3	SPORTSTAR-A-53-20-01-01A-941A-D	4	3
038193 (ISO 7089)	0396G	Washer 5.3	SPORTSTAR-A-71-00-01-01A-941A-D	33	2
038193 (ISO 7089)	0396G	Washer 5.3	SPORTSTAR-A-71-00-02-01A-941A-D	33	2
038193 (ISO 7089)	0396G	Washer 5.3	SPORTSTAR-A-71-00-03-01A-941A-D	33	2
038193 (ISO 7089)	0396G	Washer 5.3	SPORTSTAR-A-79-00-00-01A-941A-D	26	2
038193 (ISO 7089)	0396G	Washer 5.3	SPORTSTAR-A-79-00-00-01B-941A-D	26	2
038198 (ISO 7089)	0396G	Washer 3.2	SPORTSTAR-A-24-70-02-01A-941A-D	88	2
038198 (ISO 7089)	0396G	Washer 3.2	SPORTSTAR-A-25-11-00-01A-941A-D	31	6
038198 (ISO 7089)	0396G	Washer 3.2	SPORTSTAR-A-27-31-00-01A-941A-D	82	2
038198 (ISO 7089)	0396G	Washer 3.2	SPORTSTAR-A-27-32-00-01A-941A-D	40	4
038200 (DIN 6798 A)	0396G	Washer 4.3	SPORTSTAR-A-24-70-02-01A-941A-D	91	3

Applicability: All

SPORTSTAR-A-00-00-00-00A-942A-A

Illustrated Parts Catalogue

Part Number	NCAGE	Nomenclature	DMC	Item	QNA
038203 (ISO 7089)	0396G	Washer 3.2	SPORTSTAR-A-24-70-03-01A-941A-D	23	32
038203 (ISO 7089)	0396G	Washer 3.2	SPORTSTAR-A-25-60-01-01A-941A-D	46	2
038203 (ISO 7089)	0396G	Washer 3.2	SPORTSTAR-A-25-60-02-01A-941A-D	46	2
038203 (ISO 7089)	0396G	Washer 3.2	SPORTSTAR-A-25-60-03-01A-941A-D	46	4
038203 (ISO 7089)	0396G	Washer 3.2	SPORTSTAR-A-34-10-06-01A-941A-A	112	4
038203 (ISO 7089)	0396G	Washer 3.2	SPORTSTAR-A-52-10-06-01A-941A-D	13	6
038204 (ISO 7089)	0396G	Washer 4.3	SPORTSTAR-A-10-00-01-01A-941A-D	18	4
038204 (ISO 7089)	0396G	Washer 4.3	SPORTSTAR-A-21-00-00-01A-941A-D	178	4
038204 (ISO 7089)	0396G	Washer 4.3	SPORTSTAR-A-23-60-00-01A-941A-D	40	10
038204 (ISO 7089)	0396G	Washer 4.3	SPORTSTAR-A-24-30-00-01A-941A-D	86	15
038204 (ISO 7089)	0396G	Washer 4.3	SPORTSTAR-A-24-30-01-01A-941A-D	24	2
038204 (ISO 7089)	0396G	Washer 4.3	SPORTSTAR-A-24-31-00-01A-941A-D	86	17
038204 (ISO 7089)	0396G	Washer 4.3	SPORTSTAR-A-24-31-00-01B-941A-D	86	19
038204 (ISO 7089)	0396G	Washer 4.3	SPORTSTAR-A-24-31-00-01C-941A-D	86	19
038204 (ISO 7089)	0396G	Washer 4.3	SPORTSTAR-A-24-40-00-01A-941A-D	63	1
038204 (ISO 7089)	0396G	Washer 4.3	SPORTSTAR-A-24-60-02-01A-941A-D	32	1
038204 (ISO 7089)	0396G	Washer 4.3	SPORTSTAR-A-24-60-02-01B-941A-D	32	1
038204 (ISO 7089)	0396G	Washer 4.3	SPORTSTAR-A-25-10-03-01A-941A-D	45	4
038204 (ISO 7089)	0396G	Washer 4.3	SPORTSTAR-A-25-11-00-01A-941A-D	36	10
038204 (ISO 7089)	0396G	Washer 4.3	SPORTSTAR-A-25-50-02-01A-941A-D	9	8
038204 (ISO 7089)	0396G	Washer 4.3	SPORTSTAR-A-27-20-03-01A-941A-D	8	29
038204 (ISO 7089)	0396G	Washer 4.3	SPORTSTAR-A-27-20-04-01B-941A-D	12	4
038204 (ISO 7089)	0396G	Washer 4.3	SPORTSTAR-A-27-31-00-01A-941A-D	18	2
038204 (ISO 7089)	0396G	Washer 4.3	SPORTSTAR-A-27-50-03-01A-941A-D	14	29
038204 (ISO 7089)	0396G	Washer 4.3	SPORTSTAR-A-28-00-00-01A-941A-D	18	34
038204 (ISO 7089)	0396G	Washer 4.3	SPORTSTAR-A-28-00-00-01B-941A-D	18	34

Applicability: All

SPORTSTAR-A-00-00-00-00A-942A-A



Illustrated Parts Catalogue

Part Number	NCAGE	Nomenclature	DMC	Item	QNA
038204 (ISO 7089)	0396G	Washer 4.3	SPORTSTAR-A-31-50-02-01A-941A-D	46	1
038204 (ISO 7089)	0396G	Washer 4.3	SPORTSTAR-A-32-41-00-01A-941A-D	6	7
038204 (ISO 7089)	0396G	Washer 4.3	SPORTSTAR-A-32-41-00-01B-941A-D	60	2
038204 (ISO 7089)	0396G	Washer 4.3	SPORTSTAR-A-32-41-04-01A-941A-A	22	2
038204 (ISO 7089)	0396G	Washer 4.3	SPORTSTAR-A-32-41-06-01A-941A-D	67	4
038204 (ISO 7089)	0396G	Washer 4.3	SPORTSTAR-A-33-10-02-01A-941A-D	40	5
038204 (ISO 7089)	0396G	Washer 4.3	SPORTSTAR-A-33-40-01-01A-941A-D	75	9
038204 (ISO 7089)	0396G	Washer 4.3	SPORTSTAR-A-33-40-01-01B-941A-D	75	9
038204 (ISO 7089)	0396G	Washer 4.3	SPORTSTAR-A-33-40-01-01C-941A-D	75	9
038204 (ISO 7089)	0396G	Washer 4.3	SPORTSTAR-A-33-40-01-01D-941A-D	75	9
038204 (ISO 7089)	0396G	Washer 4.3	SPORTSTAR-A-33-40-02-01A-941A-D	53	7
038204 (ISO 7089)	0396G	Washer 4.3	SPORTSTAR-A-33-40-03-01A-941A-D	53	1
038204 (ISO 7089)	0396G	Washer 4.3	SPORTSTAR-A-34-10-02-01A-941A-D	22	7
038204 (ISO 7089)	0396G	Washer 4.3	SPORTSTAR-A-34-10-03-01A-941A-D	115	16
038204 (ISO 7089)	0396G	Washer 4.3	SPORTSTAR-A-34-10-04-01A-941A-D	106	12
038204 (ISO 7089)	0396G	Washer 4.3	SPORTSTAR-A-34-10-05-01A-941A-D	22	13
038204 (ISO 7089)	0396G	Washer 4.3	SPORTSTAR-A-34-10-06-01A-941A-A	106	12
038204 (ISO 7089)	0396G	Washer 4.3	SPORTSTAR-A-34-11-00-01B-941A-D	68	2
038204 (ISO 7089)	0396G	Washer 4.3	SPORTSTAR-A-34-11-00-01D-941A-D	68	4
038204 (ISO 7089)	0396G	Washer 4.3	SPORTSTAR-A-39-10-04-01A-941A-D	4	4
038204 (ISO 7089)	0396G	Washer 4.3	SPORTSTAR-A-71-60-00-01A-941A-D	42	2
038204 (ISO 7089)	0396G	Washer 4.3	SPORTSTAR-A-75-00-00-01A-941A-D	17	8
038206 (ISO 7089)	0396G	Washer 6.4	SPORTSTAR-A-10-00-01-01A-941A-D	20	6
038206 (ISO 7089)	0396G	Washer 6.4	SPORTSTAR-A-24-30-00-01A-941A-D	84	4
038206 (ISO 7089)	0396G	Washer 6.4	SPORTSTAR-A-24-31-00-01A-941A-D	84	2
038206 (ISO 7089)	0396G	Washer 6.4	SPORTSTAR-A-24-31-00-01B-941A-D	84	2

Applicability: All

SPORTSTAR-A-00-00-00-00A-942A-A

Illustrated Parts Catalogue

Part Number	NCAGE	Nomenclature	DMC	Item	QNA
038206 (ISO 7089)	0396G	Washer 6.4	SPORTSTAR-A-24-31-00-01C-941A-D	84	2
038206 (ISO 7089)	0396G	Washer 6.4	SPORTSTAR-A-24-70-01-01A-941A-D	20	2
038206 (ISO 7089)	0396G	Washer 6.4	SPORTSTAR-A-25-11-01-01A-941A-D	21	8
038206 (ISO 7089)	0396G	Washer 6.4	SPORTSTAR-A-25-60-04-01A-941A-D	29	10
038206 (ISO 7089)	0396G	Washer 6.4	SPORTSTAR-A-26-20-01-01A-941A-D	12	2
038206 (ISO 7089)	0396G	Washer 6.4	SPORTSTAR-A-27-10-00-01A-941A-D	14	2
038206 (ISO 7089)	0396G	Washer 6.4	SPORTSTAR-A-27-20-01-01A-941A-D	12	28
038206 (ISO 7089)	0396G	Washer 6.4	SPORTSTAR-A-27-20-01-01B-941A-D	12	28
038206 (ISO 7089)	0396G	Washer 6.4	SPORTSTAR-A-27-50-01-01A-941A-D	14	28
038206 (ISO 7089)	0396G	Washer 6.4	SPORTSTAR-A-27-50-03-01A-941A-D	13	28
038206 (ISO 7089)	0396G	Washer 6.4	SPORTSTAR-A-28-00-00-01A-941A-D	40	2
038206 (ISO 7089)	0396G	Washer 6.4	SPORTSTAR-A-28-00-00-01B-941A-D	40	3
038206 (ISO 7089)	0396G	Washer 6.4	SPORTSTAR-A-32-20-00-01A-941A-D	33	8
038206 (ISO 7089)	0396G	Washer 6.4	SPORTSTAR-A-32-41-00-01A-941A-D	14	2
038206 (ISO 7089)	0396G	Washer 6.4	SPORTSTAR-A-32-41-00-01B-941A-D	62	4
038206 (ISO 7089)	0396G	Washer 6.4	SPORTSTAR-A-32-50-00-01A-941A-D	6	10
038206 (ISO 7089)	0396G	Washer 6.4	SPORTSTAR-A-33-40-01-01A-941A-D	76	1
038206 (ISO 7089)	0396G	Washer 6.4	SPORTSTAR-A-33-40-01-01B-941A-D	76	1
038206 (ISO 7089)	0396G	Washer 6.4	SPORTSTAR-A-33-40-01-01C-941A-D	76	1
038206 (ISO 7089)	0396G	Washer 6.4	SPORTSTAR-A-33-40-01-01D-941A-D	76	1
038206 (ISO 7089)	0396G	Washer 6.4	SPORTSTAR-A-34-10-03-01A-941A-D	117	4
038206 (ISO 7089)	0396G	Washer 6.4	SPORTSTAR-A-34-10-04-01A-941A-D	109	6
038206 (ISO 7089)	0396G	Washer 6.4	SPORTSTAR-A-34-10-06-01A-941A-A	109	6
038206 (ISO 7089)	0396G	Washer 6.4	SPORTSTAR-A-52-10-00-01A-941A-D	35	12
038206 (ISO 7089)	0396G	Washer 6.4	SPORTSTAR-A-71-00-01-01A-941A-D	16	2
038206 (ISO 7089)	0396G	Washer 6.4	SPORTSTAR-A-71-00-02-01A-941A-D	16	2

Applicability: All

SPORTSTAR-A-00-00-00-00A-942A-A



Illustrated Parts Catalogue

Part Number	NCAGE	Nomenclature	DMC	Item	QNA
038206 (ISO 7089)	0396G	Washer 6.4	SPORTSTAR-A-71-00-03-01A-941A-D	16	2
038206 (ISO 7089)	0396G	Washer 6.4	SPORTSTAR-A-71-60-00-01A-941A-D	27	3
038206 (ISO 7089)	0396G	Washer 6.4	SPORTSTAR-A-79-00-00-01A-941A-D	30	2
038206 (ISO 7089)	0396G	Washer 6.4	SPORTSTAR-A-79-00-00-01B-941A-D	30	2
038208 (ISO 7089)	0396G	Washer 8.4	SPORTSTAR-A-10-00-01-01A-941A-D	21	4
038208 (ISO 7089)	0396G	Washer 8.4	SPORTSTAR-A-24-40-00-01A-941A-D	60	2
038208 (ISO 7089)	0396G	Washer 8.4	SPORTSTAR-A-25-60-04-01A-941A-D	30	4
038208 (ISO 7089)	0396G	Washer 8.4	SPORTSTAR-A-27-20-01-01A-941A-D	14	8
038208 (ISO 7089)	0396G	Washer 8.4	SPORTSTAR-A-27-20-01-01B-941A-D	14	8
038208 (ISO 7089)	0396G	Washer 8.4	SPORTSTAR-A-27-20-02-01A-941A-D	14	4
038208 (ISO 7089)	0396G	Washer 8.4	SPORTSTAR-A-27-20-02-01B-941A-D	14	4
038208 (ISO 7089)	0396G	Washer 8.4	SPORTSTAR-A-27-50-03-01A-941A-D	15	2
038208 (ISO 7089)	0396G	Washer 8.4	SPORTSTAR-A-32-10-00-01A-941A-D	14	8
038208 (ISO 7089)	0396G	Washer 8.4	SPORTSTAR-A-32-10-00-01B-941A-D	31	8
038208 (ISO 7089)	0396G	Washer 8.4	SPORTSTAR-A-32-10-01-01A-941A-D	8	2
038208 (ISO 7089)	0396G	Washer 8.4	SPORTSTAR-A-32-10-01-01B-941A-D	27	2
038208 (ISO 7089)	0396G	Washer 8.4	SPORTSTAR-A-32-20-00-01A-941A-D	32	6
038208 (ISO 7089)	0396G	Washer 8.4	SPORTSTAR-A-34-10-04-01A-941A-D	111	1
038208 (ISO 7089)	0396G	Washer 8.4	SPORTSTAR-A-34-10-06-01A-941A-A	111	1
038208 (ISO 7089)	0396G	Washer 8.4	SPORTSTAR-A-52-10-00-01A-941A-D	36	2
038208 (ISO 7089)	0396G	Washer 8.4	SPORTSTAR-A-55-00-00-01A-941A-D	26	2
038208 (ISO 7089)	0396G	Washer 8.4	SPORTSTAR-A-57-10-01-01A-941A-D	4	2
038208 (ISO 7089)	0396G	Washer 8.4	SPORTSTAR-A-71-60-00-01A-941A-D	22	1
038213 (ISO 7093)	0396G	Washer 4.3	SPORTSTAR-A-32-41-00-01B-941A-D	359	2
038213 (ISO 7093)	0396G	Washer 4.3	SPORTSTAR-A-32-41-04-01A-941A-A	14	2
038213 (ISO 7093)	0396G	Washer 4.3	SPORTSTAR-A-32-41-06-01A-941A-D	59	2

Applicability: All

SPORTSTAR-A-00-00-00-00A-942A-A

Illustrated Parts Catalogue

Part Number	NCAGE	Nomenclature	DMC	Item	QNA
038213 (ISO 7093)	0396G	Washer 4.3	SPORTSTAR-A-52-10-04-01A-941A-D	48	4
038224 (ISO 7089)	0396G	Washer 4.3	SPORTSTAR-A-34-10-03-01A-941A-D	114	4
038225 (ISO 7089)	0396G	Washer 10.5	SPORTSTAR-A-28-00-00-01A-941A-D	20	3
038225 (ISO 7089)	0396G	Washer 10.5	SPORTSTAR-A-28-00-00-01B-941A-D	20	3
038225 (ISO 7089)	0396G	Washer 10.5	SPORTSTAR-A-34-10-03-01A-941A-D	118	1
038225 (ISO 7089)	0396G	Washer 10.5	SPORTSTAR-A-34-10-04-01A-941A-D	110	2
038225 (ISO 7089)	0396G	Washer 10.5	SPORTSTAR-A-34-10-06-01A-941A-A	110	2
038225 (ISO 7089)	0396G	Washer 10.5	SPORTSTAR-A-75-00-00-01A-941A-D	20	8
038225 (ISO 7089)	0396G	Washer 10.5	SPORTSTAR-A-77-10-01-01A-941A-D	5	1
038237 (ISO 7089)	0396G	Washer 3.7	SPORTSTAR-A-10-00-01-01A-941A-D	27	25
038237 (ISO 7089)	0396G	Washer 3.7	SPORTSTAR-A-12-31-00-01A-941A-D	22	2
038237 (ISO 7089)	0396G	Washer 3.7	SPORTSTAR-A-25-11-03-01A-941A-D	8	2
038237 (ISO 7089)	0396G	Washer 3.7	SPORTSTAR-A-32-20-01-01A-941A-D	3	10
038237 (ISO 7089)	0396G	Washer 3.7	SPORTSTAR-A-34-11-00-01A-941A-D	9	5
038237 (ISO 7089)	0396G	Washer 3.7	SPORTSTAR-A-34-11-00-01D-941A-D	15	4
038237 (ISO 7089)	0396G	Washer 3.7	SPORTSTAR-A-52-10-03-01A-941A-D	40	16
038237 (ISO 7089)	0396G	Washer 3.7	SPORTSTAR-A-53-20-02-01A-941A-D	7	4
038237 (ISO 7089)	0396G	Washer 3.7	SPORTSTAR-A-53-30-01-01A-941A-D	3	19
038237 (ISO 7089)	0396G	Washer 3.7	SPORTSTAR-A-53-50-01-01A-941A-D	8	36
038237 (ISO 7089)	0396G	Washer 3.7	SPORTSTAR-A-53-50-02-01A-941A-D	3	6
038237 (ISO 7089)	0396G	Washer 3.7	SPORTSTAR-A-55-00-00-01A-941A-D	27	28
038237 (ISO 7089)	0396G	Washer 3.7	SPORTSTAR-A-57-10-03-01A-941A-D	4	30
038237 (ISO 7089)	0396G	Washer 3.7	SPORTSTAR-A-57-10-04-01A-941A-D	3	22
038237 (ISO 7089)	0396G	Washer 3.7	SPORTSTAR-A-71-10-00-01A-941A-D	17	10
038237 (ISO 7089)	0396G	Washer 3.7	SPORTSTAR-A-71-10-00-01B-941A-D	15	8
038237 (ISO 7089)	0396G	Washer 3.7	SPORTSTAR-A-75-00-00-01A-941A-D	24	4

Applicability: All

SPORTSTAR-A-00-00-00-00A-942A-A



Illustrated Parts Catalogue

Part Number	NCAGE	Nomenclature	DMC	Item	QNA
038241	0396G	Washer 8.4	SPORTSTAR- A-10-00-01-01A-941A-D	30	3
038241	0396G	Washer 8.4	SPORTSTAR- A-27-30-06-01A-941A-A	11	1
038241	0396G	Washer 8.4	SPORTSTAR- A-32-40-03-01A-941A-D	14	3
038241	0396G	Washer 8.4	SPORTSTAR- A-55-00-00-01A-941A-D	41	1
038242 (ISO 7089)	0396G	Washer 2.2	SPORTSTAR- A-31-50-02-01A-941A-D	34	4
038242 (ISO 7089)	0396G	Washer 2.2	SPORTSTAR- A-31-50-03-01A-941A-D	34	4
038242 (ISO 7089)	0396G	Washer 2.2	SPORTSTAR- A-52-10-01-01A-941A-D	11	4
038244	0396G	Washer 5.3	SPORTSTAR- A-32-10-01-01A-941A-D	9	6
038244	0396G	Washer 5.3	SPORTSTAR- A-32-10-01-01B-941A-D	26	6
038265 (DIN 988)	0396G	Washer 6x0.5	SPORTSTAR- A-27-10-00-01A-941A-D	17	2
038265 (DIN 988)	0396G	Washer 6x0.5	SPORTSTAR- A-27-30-00-01A-941A-D	17	1
038266 (DIN 988)	0396G	Washer 6x1	SPORTSTAR- A-27-10-00-01A-941A-D	12	14
038266 (DIN 988)	0396G	Washer 6x1	SPORTSTAR- A-27-10-01-01A-941A-D	9	2
038266 (DIN 988)	0396G	Washer 6x1	SPORTSTAR- A-27-30-00-01A-941A-D	14	14
038301 (DIN 6797 A)	0396G	Washer 3.2	SPORTSTAR- A-24-70-03-01A-941A-D	22	20
038673	0396G	Washer 6.4	SPORTSTAR- A-27-50-01-01A-941A-D	17	2
038673	0396G	Washer 6.4	SPORTSTAR- A-32-50-00-01A-941A-D	7	2
038673	0396G	Washer 6.4	SPORTSTAR- A-39-10-01-01A-941A-D	16	13
038673	0396G	Washer 6.4	SPORTSTAR- A-53-50-01-01A-941A-D	9	2
038677	0396G	Ring	SPORTSTAR- A-57-10-01-01A-941A-D	3	4
038690	0396G	Washer	SPORTSTAR- A-25-50-02-01A-941A-D	10	8
038692 (ISO 7089)	0396G	Washer 8.4	SPORTSTAR- A-32-10-00-01A-941A-D	21	8
038694	0396G	Washer 6.5	SPORTSTAR- A-32-10-00-01B-941A-D	30	8
038694	0396G	Washer 6.5	SPORTSTAR- A-32-41-04-01A-941A-A	20	1
038694	0396G	Washer 6.5	SPORTSTAR- A-32-41-06-01A-941A-D	65	1
038694	0396G	Washer 6.5	SPORTSTAR- A-52-10-01-01A-941A-D	18	2

Applicability: All

SPORTSTAR-A-00-00-00-00A-942A-A

Illustrated Parts Catalogue

Part Number	NCAGE	Nomenclature	DMC	Item	QNA
038800 (CSN 021781.04)	0396G	Cotter pin 1x10	SPORTSTAR-A-27-20-04-01B-941A-D	13	4
038850 (CSN 021781.05)	0396G	Cotter pin 1x12	SPORTSTAR-A-55-00-00-01A-941A-D	31	1
038862 (ISO 1234)	0396G	Cotter pin 1x12	SPORTSTAR-A-10-00-01-01A-941A-D	22	2
039310 (ISO 1234)	0396G	Cotter pin 2x20	SPORTSTAR-A-10-00-01-01A-941A-D	24	6
039310 (ISO 1234)	0396G	Cotter pin 2x20	SPORTSTAR-A-27-20-01-01A-941A-D	16	2
039310 (ISO 1234)	0396G	Cotter pin 2x20	SPORTSTAR-A-27-20-01-01B-941A-D	16	2
039310 (ISO 1234)	0396G	Cotter pin 2x20	SPORTSTAR-A-27-20-02-01A-941A-D	15	12
039310 (ISO 1234)	0396G	Cotter pin 2x20	SPORTSTAR-A-27-20-02-01B-941A-D	15	12
039310 (ISO 1234)	0396G	Cotter pin 2x20	SPORTSTAR-A-32-10-00-01A-941A-D	15	4
039310 (ISO 1234)	0396G	Cotter pin 2x20	SPORTSTAR-A-32-10-00-01B-941A-D	35	4
039310 (ISO 1234)	0396G	Cotter pin 2x20	SPORTSTAR-A-32-20-00-01A-941A-D	36	3
039310 (ISO 1234)	0396G	Cotter pin 2x20	SPORTSTAR-A-55-00-00-01A-941A-D	32	2
039651 (ISO 1234)	0396G	Cotter pin 2x32	SPORTSTAR-A-71-00-01-01A-941A-D	39	4
039651 (ISO 1234)	0396G	Cotter pin 2x32	SPORTSTAR-A-71-00-02-01A-941A-D	39	4
039651 (ISO 1234)	0396G	Cotter pin 2x32	SPORTSTAR-A-71-00-03-01A-941A-D	39	4
039729 (ISO 1234)	0396G	Cotter pin 2.5x25	SPORTSTAR-A-10-00-01-01A-941A-D	25	2
040002 (ISO 1234)	0396G	Cotter pin 1.6x12	SPORTSTAR-A-27-50-01-01A-941A-D	16	5
040002 (ISO 1234)	0396G	Cotter pin 1.6x12	SPORTSTAR-A-32-41-00-01A-941A-D	26	4
040002 (ISO 1234)	0396G	Cotter pin 1.6x12	SPORTSTAR-A-32-41-00-01B-941A-D	80	8
040006 (ISO 1234)	0396G	Cotter pin 1.6x20	SPORTSTAR-A-10-00-01-01A-941A-D	23	8
040006 (ISO 1234)	0396G	Cotter pin 1.6x20	SPORTSTAR-A-32-50-00-01A-941A-D	8	4
040008 (ISO 1234)	0396G	Cotter pin 1.6x16	SPORTSTAR-A-27-10-00-01A-941A-D	13	20
040008 (ISO 1234)	0396G	Cotter pin 1.6x16	SPORTSTAR-A-27-10-01-01A-941A-D	10	2
040008 (ISO 1234)	0396G	Cotter pin 1.6x16	SPORTSTAR-A-27-30-00-01A-941A-D	15	8
040351 (ISO 1234)	0396G	Cotter pin 4x40	SPORTSTAR-A-10-00-01-01A-941A-D	26	3
040351 (ISO 1234)	0396G	Cotter pin 4x40	SPORTSTAR-A-32-10-00-01A-941A-D	12	2

Applicability: All

SPORTSTAR-A-00-00-00-00A-942A-A



Illustrated Parts Catalogue

Part Number	NCAGE	Nomenclature	DMC	Item	QNA
043520 (CSN 02 2302.5)	0396G	Rivet 3.5x7	SPORTSTAR- A-25-60-04-01A-941A-D	702	4
043549	0396G	Rivet 3.5x9	SPORTSTAR- A-25-60-04-01A-941A-D	704	6
043550 (CSN 02 2302.5)	0396G	Rivet 3.5x10	SPORTSTAR- A-53-20-01-01A-941A-D	701	7
044434	0396G	Rivet 3.2x7.1	SPORTSTAR- A-34-10-01-01A-941A-D	32	4
046024 (NAS1097-AD4-6)	0396G	Rivet 3.2x9.5	SPORTSTAR- A-55-00-00-01A-941A-D	700	6
046027 (NAS 1097-AD5-7)	0396G	Rivet 4x11.1	SPORTSTAR- A-34-10-05-01A-941A-D	702	3
046385	0396G	Rivet 2.4x3.3	SPORTSTAR- A-55-40-01-01A-941A-D	700	13
046386	0396G	Rivet 2.4x4.9	SPORTSTAR- A-55-40-01-01A-941A-D	710	6
047554 (AVDEL BE61-0408)	0396G	Rivet 3.2x6.4	SPORTSTAR- A-21-00-00-01A-941A-D	701	23
047554 (AVDEL BE61-0408)	0396G	Rivet 3.2x6.4	SPORTSTAR- A-32-41-00-01A-941A-D	20	3
047554 (AVDEL BE61-0408)	0396G	Rivet 3.2x6.4	SPORTSTAR- A-34-10-03-01A-941A-D	701	6
047554 (AVDEL BE61-0408)	0396G	Rivet 3.2x6.4	SPORTSTAR- A-34-10-04-01A-941A-D	701	6
047554 (AVDEL BE61-0408)	0396G	Rivet 3.2x6.4	SPORTSTAR- A-34-10-06-01A-941A-A	701	6
047554 (AVDEL BE61-0408)	0396G	Rivet 3.2x6.4	SPORTSTAR- A-71-60-00-01A-941A-D	702	9
047556 (AVDEL 1691-5307)	0396G	Rivet 3.0x6.7	SPORTSTAR- A-39-10-01-01A-941A-D	703	2
047556 (AVDEL 1691-5307)	0396G	Rivet 3.0x6.7	SPORTSTAR- A-53-10-01-01A-941A-D	700	6
047558 (AVDEL BE61-0411)	0396G	Rivet 3.2x8.7	SPORTSTAR- A-21-00-00-01A-941A-D	702	2
047560 (AVDEL 1691-0410)	0396G	Rivet 3.2x7.9	SPORTSTAR- A-11-20-01-01A-941A-D	701	4
047560 (AVDEL 1691-0410)	0396G	Rivet 3.2x7.9	SPORTSTAR- A-24-31-00-01A-941A-D	701	6
047560 (AVDEL 1691-0410)	0396G	Rivet 3.2x7.9	SPORTSTAR- A-24-31-00-01B-941A-D	701	6
047560 (AVDEL 1691-0410)	0396G	Rivet 3.2x7.9	SPORTSTAR- A-24-31-00-01C-941A-D	701	6
047560 (AVDEL 1691-0410)	0396G	Rivet 3.2x7.9	SPORTSTAR- A-24-40-00-01A-941A-D	701	26
047560 (AVDEL 1691-0410)	0396G	Rivet 3.2x7.9	SPORTSTAR- A-25-60-00-01A-941A-D	700	14
047560 (AVDEL 1691-0410)	0396G	Rivet 3.2x7.9	SPORTSTAR- A-25-60-01-01A-941A-D	700	26
047560 (AVDEL 1691-0410)	0396G	Rivet 3.2x7.9	SPORTSTAR- A-25-60-02-01A-941A-D	700	26
047560 (AVDEL 1691-0410)	0396G	Rivet 3.2x7.9	SPORTSTAR- A-25-60-03-01A-941A-D	700	26

Applicability: All

SPORTSTAR-A-00-00-00-00A-942A-A

Illustrated Parts Catalogue

Part Number	NCAGE	Nomenclature	DMC	Item	QNA
047560 (AVDEL 1691-0410)	0396G	Rivet 3.2x7.9	SPORTSTAR-A-25-60-04-01A-941A-D	701	7
047560 (AVDEL 1691-0410)	0396G	Rivet 3.2x7.9	SPORTSTAR-A-27-31-00-01A-941A-D	701	5
047560 (AVDEL 1691-0410)	0396G	Rivet 3.2x7.9	SPORTSTAR-A-27-32-00-01A-941A-D	43	6
047560 (AVDEL 1691-0410)	0396G	Rivet 3.2x7.9	SPORTSTAR-A-28-00-00-01A-941A-D	700	10
047560 (AVDEL 1691-0410)	0396G	Rivet 3.2x7.9	SPORTSTAR-A-28-00-00-01B-941A-D	700	10
047560 (AVDEL 1691-0410)	0396G	Rivet 3.2x7.9	SPORTSTAR-A-31-50-03-01A-941A-D	700	2
047560 (AVDEL 1691-0410)	0396G	Rivet 3.2x7.9	SPORTSTAR-A-33-10-02-01A-941A-D	701	6
047560 (AVDEL 1691-0410)	0396G	Rivet 3.2x7.9	SPORTSTAR-A-34-10-02-01A-941A-D	700	36
047560 (AVDEL 1691-0410)	0396G	Rivet 3.2x7.9	SPORTSTAR-A-34-10-02-01A-941A-D	702	10
047560 (AVDEL 1691-0410)	0396G	Rivet 3.2x7.9	SPORTSTAR-A-34-10-03-01A-941A-D	702	14
047560 (AVDEL 1691-0410)	0396G	Rivet 3.2x7.9	SPORTSTAR-A-34-10-04-01A-941A-D	700	28
047560 (AVDEL 1691-0410)	0396G	Rivet 3.2x7.9	SPORTSTAR-A-34-10-05-01A-941A-D	702	14
047560 (AVDEL 1691-0410)	0396G	Rivet 3.2x7.9	SPORTSTAR-A-34-10-06-01A-941A-A	700	6
047560 (AVDEL 1691-0410)	0396G	Rivet 3.2x7.9	SPORTSTAR-A-34-11-00-01B-941A-D	700	8
047560 (AVDEL 1691-0410)	0396G	Rivet 3.2x7.9	SPORTSTAR-A-34-11-00-01D-941A-D	702	4
047560 (AVDEL 1691-0410)	0396G	Rivet 3.2x7.9	SPORTSTAR-A-52-10-00-01A-941A-D	5	19
047560 (AVDEL 1691-0410)	0396G	Rivet 3.2x7.9	SPORTSTAR-A-53-50-02-01A-941A-D	700	4
047560 (AVDEL 1691-0410)	0396G	Rivet 3.2x7.9	SPORTSTAR-A-71-00-03-01A-941A-D	700	12
047560 (AVDEL 1691-0410)	0396G	Rivet 3.2x7.9	SPORTSTAR-A-71-10-00-01A-941A-D	701	12
047560 (AVDEL 1691-0410)	0396G	Rivet 3.2x7.9	SPORTSTAR-A-71-10-01-01A-941A-D	701	8
047560 (AVDEL 1691-0410)	0396G	Rivet 3.2x7.9	SPORTSTAR-A-71-20-00-01A-941A-D	701	2
047560 (AVDEL 1691-0410)	0396G	Rivet 3.2x7.9	SPORTSTAR-A-71-60-00-01A-941A-D	701	2
047560 (AVDEL 1691-0410)	0396G	Rivet 3.2x7.9	SPORTSTAR-A-79-00-00-01A-941A-D	701	2
047560 (AVDEL 1691-0410)	0396G	Rivet 3.2x7.9	SPORTSTAR-A-79-00-00-01B-941A-D	701	2
047565 (AVDEL 1691-0414)	0396G	Rivet 3.2x11.1	SPORTSTAR-A-25-11-00-01A-941A-D	710	4
047565 (AVDEL 1691-0414)	0396G	Rivet 3.2x11.1	SPORTSTAR-A-27-20-04-01B-941A-D	32	AR
047565 (AVDEL 1691-0414)	0396G	Rivet 3.2x11.1	SPORTSTAR-A-27-31-00-01A-941A-D	702	2

Applicability: All

SPORTSTAR-A-00-00-00-00A-942A-A

Illustrated Parts Catalogue

Part Number	NCAGE	Nomenclature	DMC	Item	QNA
047569	0396G	Rivet 4x9.5	SPORTSTAR- A-25-50-02-01A-941A-D	11	4
047569	0396G	Rivet 4x9.5	SPORTSTAR- A-25-60-04-01A-941A-D	705	14
047569	0396G	Rivet 4x9.5	SPORTSTAR- A-28-00-00-01A-941A-D	704	10
047569	0396G	Rivet 4x9.5	SPORTSTAR- A-28-00-00-01B-941A-D	704	10
047569	0396G	Rivet 4x9.5	SPORTSTAR- A-34-10-02-01A-941A-D	720	2
047569	0396G	Rivet 4x9.5	SPORTSTAR- A-34-10-05-01A-941A-D	720	2
047570 (AVDEL 1691-0516)	0396G	Rivet 4x12.7	SPORTSTAR- A-25-50-02-01A-941A-D	12	8
047570 (AVDEL 1691-0516)	0396G	Rivet 4x12.7	SPORTSTAR- A-32-10-01-01B-941A-D	701	2
047572	0396G	Rivet 4x12.5	SPORTSTAR- A-25-60-04-01A-941A-D	707	25
047574 (AVDEL BN01-0512)	0396G	Rivet 4x9.5	SPORTSTAR- A-25-60-04-01A-941A-D	717	7
047574 (AVDEL BN01-0512)	0396G	Rivet 4x9.5	SPORTSTAR- A-33-40-01-01A-941A-D	701	2
047574 (AVDEL BN01-0512)	0396G	Rivet 4x9.5	SPORTSTAR- A-33-40-01-01B-941A-D	701	2
047574 (AVDEL BN01-0512)	0396G	Rivet 4x9.5	SPORTSTAR- A-33-40-01-01C-941A-D	701	2
047574 (AVDEL BN01-0512)	0396G	Rivet 4x9.5	SPORTSTAR- A-33-40-01-01D-941A-D	701	2
047576 (BN01-0408)	0396G	Rivet 3.2x6.6	SPORTSTAR- A-24-70-01-01A-941A-D	703	2
047576 (BN01-0408)	0396G	Rivet 3.2x6.6	SPORTSTAR- A-24-70-02-01A-941A-D	700	2
047576 (BN01-0408)	0396G	Rivet 3.2x6.6	SPORTSTAR- A-24-70-03-01A-941A-D	710	1
047577 (BN01-0411)	0396G	Rivet 3.2x9.3	SPORTSTAR- A-24-70-02-01A-941A-D	710	2
047577 (BN01-0411)	0396G	Rivet 3.2x9.3	SPORTSTAR- A-24-70-03-01A-941A-D	700	4
047578 (DIN 7340 A)	0396G	Rivet 2x8	SPORTSTAR- A-32-41-00-01A-941A-D	32	8
047578 (DIN 7340 A)	0396G	Rivet 2x8	SPORTSTAR- A-32-41-04-01A-941A-A	7	4
047578 (DIN 7340 A)	0396G	Rivet 2x8	SPORTSTAR- A-32-41-06-01A-941A-D	52	4
047581 (AVDEL 1031-3204)	0396G	Rivet 3.2x4	SPORTSTAR- A-55-40-01-01A-941A-D	720	3
047589	0396G	Rivet 4x7.5	SPORTSTAR- A-24-70-02-01A-941A-D	720	1
047589	0396G	Rivet 4x7.5	SPORTSTAR- A-25-60-04-01A-941A-D	727	16
047590 (AVDEL 1604-0412)	0396G	Rivet 3.2x9.5	SPORTSTAR- A-12-31-00-01A-941A-D	700	4

Applicability: All

SPORTSTAR-A-00-00-00-00A-942A-A

Illustrated Parts Catalogue

Part Number	NCAGE	Nomenclature	DMC	Item	QNA
047590 (AVDEL 1604-0412)	0396G	Rivet 3.2x9.5	SPORTSTAR-A-24-70-01-01A-941A-D	702	2
047590 (AVDEL 1604-0412)	0396G	Rivet 3.2x9.5	SPORTSTAR-A-25-11-00-01A-941A-D	700	20
047590 (AVDEL 1604-0412)	0396G	Rivet 3.2x9.5	SPORTSTAR-A-28-00-00-01A-941A-D	705	6
047590 (AVDEL 1604-0412)	0396G	Rivet 3.2x9.5	SPORTSTAR-A-32-41-00-01B-941A-D	701	2
047590 (AVDEL 1604-0412)	0396G	Rivet 3.2x9.5	SPORTSTAR-A-32-41-04-01A-941A-A	24	2
047590 (AVDEL 1604-0412)	0396G	Rivet 3.2x9.5	SPORTSTAR-A-32-41-06-01A-941A-D	700	2
047590 (AVDEL 1604-0412)	0396G	Rivet 3.2x9.5	SPORTSTAR-A-34-10-02-01A-941A-D	710	11
047590 (AVDEL 1604-0412)	0396G	Rivet 3.2x9.5	SPORTSTAR-A-34-10-03-01A-941A-D	703	3
047590 (AVDEL 1604-0412)	0396G	Rivet 3.2x9.5	SPORTSTAR-A-34-10-04-01A-941A-D	706	7
047590 (AVDEL 1604-0412)	0396G	Rivet 3.2x9.5	SPORTSTAR-A-34-10-05-01A-941A-D	710	4
047590 (AVDEL 1604-0412)	0396G	Rivet 3.2x9.5	SPORTSTAR-A-34-10-06-01A-941A-A	703	7
047590 (AVDEL 1604-0412)	0396G	Rivet 3.2x9.5	SPORTSTAR-A-34-11-00-01D-941A-D	701	12
047590 (AVDEL 1604-0412)	0396G	Rivet 3.2x9.5	SPORTSTAR-A-39-10-02-01A-941A-D	701	6
047590 (AVDEL 1604-0412)	0396G	Rivet 3.2x9.5	SPORTSTAR-A-39-10-02-01B-941A-D	701	12
047590 (AVDEL 1604-0412)	0396G	Rivet 3.2x9.5	SPORTSTAR-A-52-10-00-01A-941A-D	701	20
047590 (AVDEL 1604-0412)	0396G	Rivet 3.2x9.5	SPORTSTAR-A-71-10-00-01A-941A-D	701	44
047590 (AVDEL 1604-0412)	0396G	Rivet 3.2x9.5	SPORTSTAR-A-71-10-00-01B-941A-D	700	44
047590 (AVDEL 1604-0412)	0396G	Rivet 3.2x9.5	SPORTSTAR-A-71-10-01-01A-941A-D	700	2
047601 (9M18)	0396G	Anchor nut M4	SPORTSTAR-A-34-10-02-01A-941A-D	24	10
047601 (9M18)	0396G	Anchor nut M4	SPORTSTAR-A-34-10-03-01A-941A-D	108	4
047611	0396G	Anchor nut M6	SPORTSTAR-A-25-60-04-01A-941A-D	23	6
047611	0396G	Anchor nut M6	SPORTSTAR-A-28-00-00-01A-941A-D	15	1
047611	0396G	Anchor nut M6	SPORTSTAR-A-28-00-00-01B-941A-D	15	1
047612	0396G	Anchor nut M6	SPORTSTAR-A-25-60-04-01A-941A-D	27	1
047631	0396G	Binder screw SR 1999	SPORTSTAR-A-25-11-00-01A-941A-D	32	8
048155	0396G	Adjustable rod eye with swivel	SPORTSTAR-A-27-10-02-01A-941A-D	1	2

Applicability: All

SPORTSTAR-A-00-00-00-00A-942A-A

Part Number	NCAGE	Nomenclature	DMC	Item	QNA
048155	0396G	Adjustable rod eye with swivel	SPORTSTAR-A-27-10-03-01A-941A-D	1	2
048155	0396G	Adjustable rod eye with swivel	SPORTSTAR-A-27-10-04-01A-941A-D	2	1
048155	0396G	Adjustable rod eye with swivel	SPORTSTAR-A-27-10-06-01A-941A-D	1	2
048155	0396G	Adjustable rod eye with swivel	SPORTSTAR-A-27-30-02-01A-941A-D	2	2
048155	0396G	Adjustable rod eye with swivel	SPORTSTAR-A-27-30-04-01A-941A-D	2	2
048155	0396G	Adjustable rod eye with swivel	SPORTSTAR-A-27-30-06-01A-941A-A	13	1
048155	0396G	Adjustable rod eye with swivel	SPORTSTAR-A-27-50-02-01A-941A-D	2	4
048155	0396G	Adjustable rod eye with swivel	SPORTSTAR-A-32-50-00-01A-941A-D	11	4
048155	0396G	Adjustable rod eye with swivel	SPORTSTAR-A-52-10-00-01A-941A-D	41	2
048453	0396G	Bearing	SPORTSTAR-A-32-40-01-01A-941A-D	24	2
048453	0396G	Bearing	SPORTSTAR-A-32-40-03-01A-941A-D	24	2
048648	0396G	Bearing	SPORTSTAR-A-27-10-01-01A-941A-D	4	2
048648	0396G	Bearing	SPORTSTAR-A-27-10-05-01A-941A-D	2	2
048648	0396G	Bearing	SPORTSTAR-A-27-30-03-01A-941A-D	4	2
050873	0396G	Bleed screw cover	SPORTSTAR-A-32-40-03-01A-941A-D	15	1
050874	0396G	Venting screw	SPORTSTAR-A-32-41-01-01A-941A-D	9	1
051158	0396G	Hose T-connection	SPORTSTAR-A-28-00-00-01A-941A-D	29	3
051158	0396G	Hose T-connection	SPORTSTAR-A-28-00-00-01B-941A-D	29	2
051158	0396G	Hose T-connection	SPORTSTAR-A-34-10-03-01A-941A-D	33	1
051158	0396G	Hose T-connection	SPORTSTAR-A-34-10-04-01A-941A-D	33	2
051158	0396G	Hose T-connection	SPORTSTAR-A-34-10-06-01A-941A-A	33	2
051295	0396G	Pipe connection	SPORTSTAR-A-32-41-00-01A-941A-D	4	1
051660 (DIN 3017)	0396G	Clamp	SPORTSTAR-A-79-00-00-01A-941A-D	28	2
051660 (DIN 3017)	0396G	Clamp	SPORTSTAR-A-79-00-00-01B-941A-D	28	2
051660 (DIN 3017)	0396G	Clamp	SPORTSTAR-A-79-00-00-01C-941A-D	28	2
051950 (CSN 13 7948)	0396G	Sealing cone	SPORTSTAR-A-79-00-00-01A-941A-D	34	1

Applicability: All

SPORTSTAR-A-00-00-00-00A-942A-A

Illustrated Parts Catalogue

Part Number	NCAGE	Nomenclature	DMC	Item	QNA
051950 (CSN 13 7948)	0396G	Sealing cone	SPORTSTAR-A-79-00-00-01B-941A-D	34	1
051950 (CSN 13 7948)	0396G	Sealing cone	SPORTSTAR-A-79-00-00-01C-941A-D	34	1
052600 (CSN 13 7952.41)	0396G	Nut M10	SPORTSTAR-A-79-00-00-01A-941A-D	31	1
052600 (CSN 13 7952.41)	0396G	Nut M10	SPORTSTAR-A-79-00-00-01B-941A-D	31	1
052600 (CSN 13 7952.41)	0396G	Nut M10	SPORTSTAR-A-79-00-00-01C-941A-D	31	1
053420	0396G	Threaded insert	SPORTSTAR-A-32-40-01-01A-941A-D	23	6
053420	0396G	Threaded insert	SPORTSTAR-A-32-40-03-01A-941A-D	23	6
053822	0396G	Sealing ring	SPORTSTAR-A-10-00-01-01A-941A-D	32	2
053822	0396G	Sealing ring	SPORTSTAR-A-32-41-03-01A-941A-D	7	1
053831	0396G	Sealing ring	SPORTSTAR-A-32-41-01-01A-941A-D	6	1
053899 (CSN 02 9310.2)	0396G	Sealing ring 10x14	SPORTSTAR-A-28-00-00-01B-941A-D	130	2
054100 (CSN 02 9310.3)	0396G	Sealing ring 14x18	SPORTSTAR-A-28-00-00-01A-941A-D	25	6
054100 (CSN 02 9310.3)	0396G	Sealing ring 14x18	SPORTSTAR-A-28-00-00-01B-941A-D	25	6
054100 (CSN 02 9310.3)	0396G	Sealing ring 14x18	SPORTSTAR-A-79-00-00-01A-941A-D	29	3
054100 (CSN 02 9310.3)	0396G	Sealing ring 14x18	SPORTSTAR-A-79-00-00-01B-941A-D	29	3
054100 (CSN 02 9310.3)	0396G	Sealing ring 14x18	SPORTSTAR-A-79-00-00-01C-941A-D	29	3
055521	0396G	Silicone rubber sealing	SPORTSTAR-A-52-10-02-01A-941A-D	1	AR
055521	0396G	Silicone rubber sealing	SPORTSTAR-A-52-10-02-01B-941A-D	1	AR
055522	0396G	Silicone rubber sealing	SPORTSTAR-A-52-10-02-01A-941A-D	2	AR
055579	0396G	Push spring	SPORTSTAR-A-25-11-01-01A-941A-D	25	2
055607	0396G	Protecting hose	SPORTSTAR-A-28-00-00-01A-941A-D	45	AR
055607	0396G	Protecting hose	SPORTSTAR-A-28-00-00-01B-941A-D	45	3
055607	0396G	Protecting hose	SPORTSTAR-A-34-10-03-01A-941A-D	16	AR
055607	0396G	Protecting hose	SPORTSTAR-A-34-10-04-01A-941A-D	40	AR
055607	0396G	Protecting hose	SPORTSTAR-A-34-10-06-01A-941A-A	40	AR
055607	0396G	Protecting hose	SPORTSTAR-A-77-10-01-01A-941A-D	12	3

Applicability: All

SPORTSTAR-A-00-00-00-00A-942A-A



Illustrated Parts Catalogue

Part Number	NCAGE	Nomenclature	DMC	Item	QNA
055615 (DIN 3017)	0396G	Hose clamp	SPORTSTAR- A-21-00-00-01A-941A-D	29	2
055621 (DIN 3017)	0396G	Hose clamp	SPORTSTAR- A-21-00-00-01A-941A-D	28	9
055621 (DIN 3017)	0396G	Hose clamp	SPORTSTAR- A-32-20-00-01A-941A-D	39	2
055621 (DIN 3017)	0396G	Hose clamp	SPORTSTAR- A-71-60-00-01A-941A-D	45	4
055623	0396G	Hose clamp	SPORTSTAR- A-79-20-01-01A-941A-D	5	4
055624	0396G	Hose	SPORTSTAR- A-71-60-00-01A-941A-D	51	3
055629	0396G	Hose	SPORTSTAR- A-27-20-04-01A-941A-D	7	0
056105	0396G	Hose	SPORTSTAR- A-34-10-03-01A-941A-D	38	AR
056105	0396G	Hose	SPORTSTAR- A-34-10-04-01A-941A-D	38	AR
056105	0396G	Hose	SPORTSTAR- A-34-10-06-01A-941A-A	38	AR
056105	0396G	Hose	SPORTSTAR- A-34-11-00-01A-941A-D	13	AR
056105	0396G	Hose	SPORTSTAR- A-34-11-00-01B-941A-D	14	AR
056105	0396G	Hose	SPORTSTAR- A-34-11-00-01D-941A-D	14	AR
056216	0396G	Air hose	SPORTSTAR- A-21-00-00-01A-941A-D	17	AR
056299	0396G	Fuel hose Super-Flex FL7	SPORTSTAR- A-28-00-00-01A-941A-D	32	AR
056299	0396G	Fuel hose Super-Flex FL7	SPORTSTAR- A-28-00-00-01B-941A-D	32	AR
056299	0396G	Fuel hose Super-Flex FL7	SPORTSTAR- A-34-10-03-01A-941A-D	39	AR
056299	0396G	Fuel hose Super-Flex FL7	SPORTSTAR- A-34-10-04-01A-941A-D	39	AR
056299	0396G	Fuel hose Super-Flex FL7	SPORTSTAR- A-34-10-06-01A-941A-A	39	AR
056299	0396G	Fuel hose Super-Flex FL7	SPORTSTAR- A-75-00-00-01A-941A-D	21	AR
056299	0396G	Fuel hose Super-Flex FL7	SPORTSTAR- A-77-10-01-01A-941A-D	6	AR
056300	0396G	Fuel hose	SPORTSTAR- A-79-00-00-01A-941A-D	21	AR
056300	0396G	Fuel hose	SPORTSTAR- A-79-00-00-01B-941A-D	21	AR
056300	0396G	Fuel hose	SPORTSTAR- A-79-00-00-01C-941A-D	21	AR
056334	0396G	Hose	SPORTSTAR- A-25-60-04-01A-941A-D	31	1
056445	0396G	Protecting hose	SPORTSTAR- A-21-00-00-01A-941A-D	60	AR

Applicability: All

SPORTSTAR-A-00-00-00-00A-942A-A

Illustrated Parts Catalogue

Part Number	NCAGE	Nomenclature	DMC	Item	QNA
056445	0396G	Protecting hose	SPORTSTAR-A-75-00-00-01A-941A-D	26	AR
056445	0396G	Protecting hose	SPORTSTAR-A-79-20-01-01A-941A-D	20	AR
056446	0396G	Protecting hose	SPORTSTAR-A-75-00-00-01A-941A-D	27	AR
056447	0396G	Protecting hose	SPORTSTAR-A-75-00-00-01A-941A-D	28	AR
056465	0396G	Hose	SPORTSTAR-A-32-41-00-01A-941A-D	8	AR
056473	0396G	Air hose	SPORTSTAR-A-21-00-00-01A-941A-D	18	AR
056474	0396G	Air hose	SPORTSTAR-A-21-00-00-01A-941A-D	21	AR
056474	0396G	Air hose	SPORTSTAR-A-71-60-00-01A-941A-D	46	AR
056496	0396G	Air hose	SPORTSTAR-A-21-00-00-01A-941A-D	19	AR
056497	0396G	Air hose	SPORTSTAR-A-21-00-00-01A-941A-D	20	AR
056546	0396G	Hose Aerotec PA	SPORTSTAR-A-32-41-00-01A-941A-D	35	AR
057873	0396G	Bonding strap 1.3x100	SPORTSTAR-A-24-70-02-01A-941A-D	79	4
057882 (ASNE 0088-06-100)	0396G	Bonding strap 1.3x100	SPORTSTAR-A-24-70-01-01A-941A-D	69	5
057882 (ASNE 0088-06-100)	0396G	Bonding strap 1.3x100	SPORTSTAR-A-24-70-03-01A-941A-D	51	11
057883	0396G	Bonding strap 1.3x160	SPORTSTAR-A-24-70-02-01A-941A-D	81	2
057883	0396G	Bonding strap 1.3x160	SPORTSTAR-A-24-70-03-01A-941A-D	50	14
057899	0396G	Electrical bonding 3.3x140	SPORTSTAR-A-28-00-00-01A-941A-D	26	2
057899	0396G	Electrical bonding 3.3x140	SPORTSTAR-A-28-00-00-01B-941A-D	26	2
057952 (EN 12385.4)	0396G	Cable 1.25	SPORTSTAR-A-27-20-04-01B-941A-D	25	0
058001 (EN 12385-4)	0396G	Single strand steel cable 1.6	SPORTSTAR-A-76-10-01-01A-941A-D	8	AR
058430	0396G	Cable eye stiffener	SPORTSTAR-A-27-20-03-01A-941A-D	11	2
058749	0396G	Nicopress clamp	SPORTSTAR-A-57-10-01-01A-941A-D	8	8
058750	0396G	Nicopress sleeve	SPORTSTAR-A-27-20-03-01A-941A-D	12	6
058760	0396G	Nicopress clamp	SPORTSTAR-A-25-60-04-01A-941A-D	60	2
058775	0396G	Cable end piece	SPORTSTAR-A-27-20-04-01B-941A-D	26	6
058950	0396G	Bowden hose termi- nation	SPORTSTAR-A-76-10-01-01A-941A-D	16	2

Applicability: All

SPORTSTAR-A-00-00-00-00A-942A-A

Part Number	NCAGE	Nomenclature	DMC	Item	QNA
058950	0396G	Bowden hose termination	SPORTSTAR-A-76-11-01-01A-941A-D	16	2
058965	0396G	Adjusting screw	SPORTSTAR-A-27-20-04-01B-941A-D	23	4
059275	0396G	Bowden hose	SPORTSTAR-A-21-00-00-01A-941A-D	148	AR
059275	0396G	Bowden hose	SPORTSTAR-A-27-20-04-01B-941A-D	24	AR
059275	0396G	Bowden hose	SPORTSTAR-A-71-60-00-01A-941A-D	33	AR
059275	0396G	Bowden hose	SPORTSTAR-A-76-10-01-01A-941A-D	17	AR
059275	0396G	Bowden hose	SPORTSTAR-A-76-11-01-01A-941A-D	18	AR
059289	0396G	Ring 4x2	SPORTSTAR-A-10-00-01-01A-941A-D	8	1
059289	0396G	Ring 4x2	SPORTSTAR-A-32-41-02-01A-941A-D	33	1
059290	0396G	Ring 5.6x2.4	SPORTSTAR-A-10-00-01-01A-941A-D	11	1
059290	0396G	Ring 5.6x2.4	SPORTSTAR-A-32-41-02-01A-941A-D	36	1
059291	0396G	Ring	SPORTSTAR-A-27-10-05-01A-941A-D	3	2
059292	0396G	Ring 7.3x2.4	SPORTSTAR-A-10-00-01-01A-941A-D	9	1
059292	0396G	Ring 7.3x2.4	SPORTSTAR-A-32-41-02-01A-941A-D	34	1
059292	0396G	Ring 7.3x2.4	SPORTSTAR-A-32-41-03-01A-941A-D	9	1
059294	0396G	Ring 11.3x2.4	SPORTSTAR-A-10-00-01-01A-941A-D	10	1
059294	0396G	Ring 11.3x2.4	SPORTSTAR-A-32-41-02-01A-941A-D	35	1
059296	0396G	Ring 25x2	SPORTSTAR-A-32-41-01-01A-941A-D	8	1
059297	0396G	Ring 24x3	SPORTSTAR-A-32-41-01-01A-941A-D	7	1
059298	0396G	Ring 20x1.5	SPORTSTAR-A-10-00-01-01A-941A-D	33	2
059298	0396G	Ring 20x1.5	SPORTSTAR-A-32-41-03-01A-941A-D	10	1
059299	0396G	Ring	SPORTSTAR-A-27-10-01-01A-941A-D	5	2
059299	0396G	Ring	SPORTSTAR-A-27-30-03-01A-941A-D	5	2
059602	0396G	Clamp 1x6	SPORTSTAR-A-32-41-00-01A-941A-D	27	6
059602	0396G	Clamp 1x6	SPORTSTAR-A-32-41-00-01B-941A-D	71	1
059627	0396G	Clamp 1x8	SPORTSTAR-A-28-00-00-01A-941A-D	21	3

Applicability: All

SPORTSTAR-A-00-00-00-00A-942A-A



Illustrated Parts Catalogue

Part Number	NCAGE	Nomenclature	DMC	Item	QNA
059627	0396G	Clamp 1x8	SPORTSTAR-A-28-00-00-01B-941A-D	21	3
059651	0396G	Clamp	SPORTSTAR-A-71-60-00-01A-941A-D	52	1
059701	0396G	Clamp 1x18	SPORTSTAR-A-79-00-00-01A-941A-D	43	1
059701	0396G	Clamp 1x18	SPORTSTAR-A-79-00-00-01B-941A-D	43	1
059750 (CSN 02 2706.1)	0396G	Clamp 1x20	SPORTSTAR-A-24-70-02-01A-941A-D	83	3
059750 (CSN 02 2706.1)	0396G	Clamp 1x20	SPORTSTAR-A-31-50-02-01A-941A-D	44	1
059801	0396G	Clamp	SPORTSTAR-A-21-00-00-01A-941A-D	58	3
059801	0396G	Clamp	SPORTSTAR-A-32-41-00-01B-941A-D	70	6
059801	0396G	Clamp	SPORTSTAR-A-71-60-00-01A-941A-D	39	1
059870 (CSN 02 2706.5)	0396G	Clamp 1x12	SPORTSTAR-A-32-41-00-01A-941A-D	9	1
059949	0396G	Clamp 2x8	SPORTSTAR-A-28-00-00-01A-941A-D	17	2
059949	0396G	Clamp 2x8	SPORTSTAR-A-28-00-00-01B-941A-D	17	2
060055	0396G	Clamp 0.3x3	SPORTSTAR-A-24-70-02-01A-941A-D	84	2
060217	0396G	Clamp	SPORTSTAR-A-24-30-00-01A-941A-D	68	6
060217	0396G	Clamp	SPORTSTAR-A-24-30-01-01A-941A-D	19	2
060217	0396G	Clamp	SPORTSTAR-A-24-31-00-01A-941A-D	68	6
060217	0396G	Clamp	SPORTSTAR-A-24-31-00-01B-941A-D	68	8
060217	0396G	Clamp	SPORTSTAR-A-24-31-00-01C-941A-D	68	8
060263	0396G	Pipe clamp 15.9 in-insulated	SPORTSTAR-A-28-00-00-01B-941A-D	144	1
060332	0396G	Cable tie	SPORTSTAR-A-24-30-00-01A-941A-D	65	100
060332	0396G	Cable tie	SPORTSTAR-A-24-30-01-01A-941A-D	18	2
060332	0396G	Cable tie	SPORTSTAR-A-24-30-02-01A-941A-D	22	5
060332	0396G	Cable tie	SPORTSTAR-A-24-31-00-01A-941A-D	65	115
060332	0396G	Cable tie	SPORTSTAR-A-24-31-00-01B-941A-D	65	115
060332	0396G	Cable tie	SPORTSTAR-A-24-31-00-01C-941A-D	65	115
060332	0396G	Cable tie	SPORTSTAR-A-24-40-00-01A-941A-D	44	10

Applicability: All

SPORTSTAR-A-00-00-00-00A-942A-A



Illustrated Parts Catalogue

Part Number	NCAGE	Nomenclature	DMC	Item	QNA
060332	0396G	Cable tie	SPORTSTAR-A-24-60-02-01A-941A-D	27	10
060332	0396G	Cable tie	SPORTSTAR-A-24-60-02-01B-941A-D	27	10
060332	0396G	Cable tie	SPORTSTAR-A-25-10-03-01A-941A-D	30	10
060332	0396G	Cable tie	SPORTSTAR-A-25-60-01-01A-941A-D	32	5
060332	0396G	Cable tie	SPORTSTAR-A-25-60-02-01A-941A-D	32	15
060332	0396G	Cable tie	SPORTSTAR-A-25-60-03-01A-941A-D	32	12
060332	0396G	Cable tie	SPORTSTAR-A-27-20-01-01A-941A-D	17	10
060332	0396G	Cable tie	SPORTSTAR-A-27-20-01-01B-941A-D	17	10
060332	0396G	Cable tie	SPORTSTAR-A-27-20-04-01B-941A-D	19	10
060332	0396G	Cable tie	SPORTSTAR-A-27-31-00-01A-941A-D	74	25
060332	0396G	Cable tie	SPORTSTAR-A-27-32-00-01A-941A-D	29	15
060332	0396G	Cable tie	SPORTSTAR-A-28-00-00-01A-941A-D	55	10
060332	0396G	Cable tie	SPORTSTAR-A-28-00-00-01B-941A-D	55	10
060332	0396G	Cable tie	SPORTSTAR-A-31-20-01-01A-941A-D	24	5
060332	0396G	Cable tie	SPORTSTAR-A-31-20-02-01A-941A-D	24	5
060332	0396G	Cable tie	SPORTSTAR-A-31-20-03-01A-941A-D	24	5
060332	0396G	Cable tie	SPORTSTAR-A-31-50-02-01A-941A-D	25	15
060332	0396G	Cable tie	SPORTSTAR-A-31-50-03-01A-941A-D	25	15
060332	0396G	Cable tie	SPORTSTAR-A-32-41-00-01A-941A-D	29	4
060332	0396G	Cable tie	SPORTSTAR-A-32-41-04-01A-941A-A	15	10
060332	0396G	Cable tie	SPORTSTAR-A-32-41-06-01A-941A-D	60	10
060332	0396G	Cable tie	SPORTSTAR-A-33-10-01-01A-941A-D	29	23
060332	0396G	Cable tie	SPORTSTAR-A-33-10-01-01B-941A-D	29	15
060332	0396G	Cable tie	SPORTSTAR-A-33-10-01-01C-941A-D	29	15
060332	0396G	Cable tie	SPORTSTAR-A-33-10-02-01A-941A-D	30	10
060332	0396G	Cable tie	SPORTSTAR-A-33-10-03-01A-941A-D	22	8

Applicability: All

SPORTSTAR-A-00-00-00-00A-942A-A



Illustrated Parts Catalogue

Part Number	NCAGE	Nomenclature	DMC	Item	QNA
060332	0396G	Cable tie	SPORTSTAR-A-33-10-05-01A-941A-D	30	10
060332	0396G	Cable tie	SPORTSTAR-A-33-40-01-01A-941A-D	45	15
060332	0396G	Cable tie	SPORTSTAR-A-33-40-01-01B-941A-D	45	15
060332	0396G	Cable tie	SPORTSTAR-A-33-40-01-01C-941A-D	45	15
060332	0396G	Cable tie	SPORTSTAR-A-33-40-01-01D-941A-D	45	15
060332	0396G	Cable tie	SPORTSTAR-A-33-40-02-01A-941A-D	40	25
060332	0396G	Cable tie	SPORTSTAR-A-33-40-03-01A-941A-D	35	35
060332	0396G	Cable tie	SPORTSTAR-A-33-40-03-01B-941A-D	35	35
060332	0396G	Cable tie	SPORTSTAR-A-34-10-01-01A-941A-D	22	10
060332	0396G	Cable tie	SPORTSTAR-A-34-10-03-01A-941A-D	95	80
060332	0396G	Cable tie	SPORTSTAR-A-34-10-04-01A-941A-D	86	130
060332	0396G	Cable tie	SPORTSTAR-A-34-10-06-01A-941A-A	86	130
060332	0396G	Cable tie	SPORTSTAR-A-34-11-00-01A-941A-D	18	15
060332	0396G	Cable tie	SPORTSTAR-A-34-11-00-01B-941A-D	18	25
060332	0396G	Cable tie	SPORTSTAR-A-34-11-00-01C-941A-D	33	15
060332	0396G	Cable tie	SPORTSTAR-A-34-11-00-01D-941A-D	18	25
060332	0396G	Cable tie	SPORTSTAR-A-34-11-00-01E-941A-D	33	15
060332	0396G	Cable tie	SPORTSTAR-A-34-20-02-01A-941A-D	25	10
060332	0396G	Cable tie	SPORTSTAR-A-34-20-03-01A-941A-D	25	10
060332	0396G	Cable tie	SPORTSTAR-A-34-20-04-01A-941A-D	28	10
060332	0396G	Cable tie	SPORTSTAR-A-34-20-05-01A-941A-D	25	10
060332	0396G	Cable tie	SPORTSTAR-A-71-00-01-01A-941A-D	28	10
060332	0396G	Cable tie	SPORTSTAR-A-71-00-02-01A-941A-D	28	10
060332	0396G	Cable tie	SPORTSTAR-A-71-00-03-01A-941A-D	28	10
060332	0396G	Cable tie	SPORTSTAR-A-77-10-01-01A-941A-D	7	5
060332	0396G	Cable tie	SPORTSTAR-A-79-00-00-01A-941A-D	37	5

Applicability: All

SPORTSTAR-A-00-00-00-00A-942A-A



Illustrated Parts Catalogue

Part Number	NCAGE	Nomenclature	DMC	Item	QNA
060332	0396G	Cable tie	SPORTSTAR-A-79-00-00-01B-941A-D	37	5
060332	0396G	Cable tie	SPORTSTAR-A-79-00-00-01C-941A-D	37	5
060333	0396G	Cable tie	SPORTSTAR-A-24-30-00-01A-941A-D	66	50
060333	0396G	Cable tie	SPORTSTAR-A-24-30-01-01A-941A-D	17	2
060333	0396G	Cable tie	SPORTSTAR-A-24-31-00-01A-941A-D	66	55
060333	0396G	Cable tie	SPORTSTAR-A-24-31-00-01B-941A-D	66	55
060333	0396G	Cable tie	SPORTSTAR-A-24-31-00-01C-941A-D	66	55
060333	0396G	Cable tie	SPORTSTAR-A-24-40-00-01A-941A-D	45	10
060333	0396G	Cable tie	SPORTSTAR-A-25-10-03-01A-941A-D	31	10
060333	0396G	Cable tie	SPORTSTAR-A-25-60-01-01A-941A-D	33	10
060333	0396G	Cable tie	SPORTSTAR-A-25-60-02-01A-941A-D	33	6
060333	0396G	Cable tie	SPORTSTAR-A-25-60-03-01A-941A-D	33	10
060333	0396G	Cable tie	SPORTSTAR-A-25-60-04-01A-941A-D	36	22
060333	0396G	Cable tie	SPORTSTAR-A-27-31-00-01A-941A-D	75	10
060333	0396G	Cable tie	SPORTSTAR-A-27-32-00-01A-941A-D	30	6
060333	0396G	Cable tie	SPORTSTAR-A-28-00-00-01A-941A-D	41	30
060333	0396G	Cable tie	SPORTSTAR-A-28-00-00-01B-941A-D	41	30
060333	0396G	Cable tie	SPORTSTAR-A-33-10-02-01A-941A-D	31	2
060333	0396G	Cable tie	SPORTSTAR-A-33-10-03-01A-941A-D	23	2
060333	0396G	Cable tie	SPORTSTAR-A-33-10-05-01A-941A-D	31	2
060333	0396G	Cable tie	SPORTSTAR-A-33-40-01-01A-941A-D	46	10
060333	0396G	Cable tie	SPORTSTAR-A-33-40-01-01B-941A-D	46	10
060333	0396G	Cable tie	SPORTSTAR-A-33-40-01-01C-941A-D	46	10
060333	0396G	Cable tie	SPORTSTAR-A-33-40-01-01D-941A-D	46	10
060333	0396G	Cable tie	SPORTSTAR-A-33-40-02-01A-941A-D	41	40
060333	0396G	Cable tie	SPORTSTAR-A-33-40-03-01A-941A-D	36	10

Applicability: All

SPORTSTAR-A-00-00-00-00A-942A-A

Part Number	NCAGE	Nomenclature	DMC	Item	QNA
060333	0396G	Cable tie	SPORTSTAR-A-33-40-03-01B-941A-D	36	10
060333	0396G	Cable tie	SPORTSTAR-A-34-10-01-01A-941A-D	23	5
060333	0396G	Cable tie	SPORTSTAR-A-34-10-03-01A-941A-D	96	40
060333	0396G	Cable tie	SPORTSTAR-A-34-10-04-01A-941A-D	87	65
060333	0396G	Cable tie	SPORTSTAR-A-34-10-06-01A-941A-A	87	65
060333	0396G	Cable tie	SPORTSTAR-A-34-11-00-01B-941A-D	19	10
060333	0396G	Cable tie	SPORTSTAR-A-34-11-00-01C-941A-D	34	5
060333	0396G	Cable tie	SPORTSTAR-A-34-11-00-01D-941A-D	19	10
060333	0396G	Cable tie	SPORTSTAR-A-34-11-00-01E-941A-D	34	5
060333	0396G	Cable tie	SPORTSTAR-A-53-10-01-01A-941A-D	10	3
060333	0396G	Cable tie	SPORTSTAR-A-71-00-01-01A-941A-D	26	35
060333	0396G	Cable tie	SPORTSTAR-A-71-00-02-01A-941A-D	26	35
060333	0396G	Cable tie	SPORTSTAR-A-71-00-03-01A-941A-D	26	35
060333	0396G	Cable tie	SPORTSTAR-A-71-60-00-01A-941A-D	44	12
060333	0396G	Cable tie	SPORTSTAR-A-75-00-00-01A-941A-D	10	40
060333	0396G	Cable tie	SPORTSTAR-A-79-20-01-01A-941A-D	10	20
060337	0396G	Cable tie	SPORTSTAR-A-32-41-00-01B-941A-D	87	25
060357	0396G	Cable tie	SPORTSTAR-A-21-00-00-01A-941A-D	38	5
060369	0396G	Cable tie	SPORTSTAR-A-32-41-00-01B-941A-D	88	4
060371	0396G	Cable tie	SPORTSTAR-A-21-00-00-01A-941A-D	39	1
060371	0396G	Cable tie	SPORTSTAR-A-32-41-00-01A-941A-D	31	4
060371	0396G	Cable tie	SPORTSTAR-A-71-00-01-01A-941A-D	31	8
060371	0396G	Cable tie	SPORTSTAR-A-71-00-02-01A-941A-D	31	8
060371	0396G	Cable tie	SPORTSTAR-A-71-00-03-01A-941A-D	31	8
060371	0396G	Cable tie	SPORTSTAR-A-75-00-00-01A-941A-D	11	14
060461	0396G	Self-adhesive clamp	SPORTSTAR-A-25-60-04-01A-941A-D	45	1

Applicability: All

SPORTSTAR-A-00-00-00-00A-942A-A

Part Number	NCAGE	Nomenclature	DMC	Item	QNA
060461	0396G	Self-adhesive clamp	SPORTSTAR-A-32-41-00-01B-941A-D	91	16
060461	0396G	Self-adhesive clamp	SPORTSTAR-A-32-41-04-01A-941A-A	16	8
060461	0396G	Self-adhesive clamp	SPORTSTAR-A-32-41-06-01A-941A-D	61	8
060461	0396G	Self-adhesive clamp	SPORTSTAR-A-34-11-00-01A-941A-D	17	5
060465	0396G	Self-adhesive clamp	SPORTSTAR-A-24-30-00-01A-941A-D	72	6
060465	0396G	Self-adhesive clamp	SPORTSTAR-A-24-31-00-01A-941A-D	71	6
060465	0396G	Self-adhesive clamp	SPORTSTAR-A-24-31-00-01B-941A-D	71	6
060465	0396G	Self-adhesive clamp	SPORTSTAR-A-24-31-00-01C-941A-D	71	6
060465	0396G	Self-adhesive clamp	SPORTSTAR-A-25-10-03-01A-941A-D	32	4
060465	0396G	Self-adhesive clamp	SPORTSTAR-A-25-60-01-01A-941A-D	34	2
060465	0396G	Self-adhesive clamp	SPORTSTAR-A-25-60-02-01A-941A-D	34	2
060465	0396G	Self-adhesive clamp	SPORTSTAR-A-25-60-03-01A-941A-D	34	2
060465	0396G	Self-adhesive clamp	SPORTSTAR-A-27-20-04-01B-941A-D	28	2
060465	0396G	Self-adhesive clamp	SPORTSTAR-A-27-31-00-01A-941A-D	76	3
060465	0396G	Self-adhesive clamp	SPORTSTAR-A-31-50-02-01A-941A-D	27	5
060465	0396G	Self-adhesive clamp	SPORTSTAR-A-31-50-03-01A-941A-D	27	5
060465	0396G	Self-adhesive clamp	SPORTSTAR-A-33-10-02-01A-941A-D	32	2
060465	0396G	Self-adhesive clamp	SPORTSTAR-A-33-10-05-01A-941A-D	32	2
060465	0396G	Self-adhesive clamp	SPORTSTAR-A-33-40-01-01A-941A-D	48	6
060465	0396G	Self-adhesive clamp	SPORTSTAR-A-33-40-01-01B-941A-D	48	6
060465	0396G	Self-adhesive clamp	SPORTSTAR-A-33-40-01-01C-941A-D	48	6
060465	0396G	Self-adhesive clamp	SPORTSTAR-A-33-40-01-01D-941A-D	48	6
060465	0396G	Self-adhesive clamp	SPORTSTAR-A-33-40-02-01A-941A-D	43	10
060465	0396G	Self-adhesive clamp	SPORTSTAR-A-33-40-03-01A-941A-D	38	7
060465	0396G	Self-adhesive clamp	SPORTSTAR-A-33-40-03-01B-941A-D	38	7
060465	0396G	Self-adhesive clamp	SPORTSTAR-A-34-10-01-01A-941A-D	24	3

Applicability: All

SPORTSTAR-A-00-00-00-00A-942A-A

Illustrated Parts Catalogue

Part Number	NCAGE	Nomenclature	DMC	Item	QNA
060465	0396G	Self-adhesive clamp	SPORTSTAR-A-34-10-03-01A-941A-D	97	10
060465	0396G	Self-adhesive clamp	SPORTSTAR-A-34-10-04-01A-941A-D	88	15
060465	0396G	Self-adhesive clamp	SPORTSTAR-A-34-10-06-01A-941A-A	88	15
060465	0396G	Self-adhesive clamp	SPORTSTAR-A-34-11-00-01B-941A-D	17	9
060465	0396G	Self-adhesive clamp	SPORTSTAR-A-34-11-00-01D-941A-D	17	9
064505	0396G	Metal oxide resistor	SPORTSTAR-A-33-10-05-01A-941A-D	41	1
064508	0396G	Resistor 39R/1W/1%	SPORTSTAR-A-34-10-04-01A-941A-D	27	1
064508	0396G	Resistor 39R/1W/1%	SPORTSTAR-A-34-10-06-01A-941A-A	27	1
064509	0396G	Resistor RM150k/0.6W/1%	SPORTSTAR-A-34-10-03-01A-941A-D	52	1
064519	0396G	Diode	SPORTSTAR-A-24-30-00-01A-941A-D	24	1
064519	0396G	Diode	SPORTSTAR-A-24-31-00-01A-941A-D	40	1
064519	0396G	Diode	SPORTSTAR-A-24-31-00-01B-941A-D	40	1
064519	0396G	Diode	SPORTSTAR-A-24-31-00-01C-941A-D	40	1
064519	0396G	Diode	SPORTSTAR-A-24-60-02-01A-941A-D	13	1
064519	0396G	Diode	SPORTSTAR-A-24-60-02-01B-941A-D	13	1
064519	0396G	Diode	SPORTSTAR-A-27-31-00-01A-941A-D	57	2
064528	0396G	Isolating pad	SPORTSTAR-A-33-10-04-01A-941A-D	110	1
064531	0396G	Space pad	SPORTSTAR-A-33-10-04-01A-941A-D	60	3
064532	0396G	Space pad	SPORTSTAR-A-33-10-04-01A-941A-D	40	2
064533	0396G	Space pad	SPORTSTAR-A-33-10-04-01A-941A-D	50	1
064534	0396G	Isolating pad	SPORTSTAR-A-33-10-04-01A-941A-D	100	1
064538	0396G	Fuse casing	SPORTSTAR-A-31-20-03-01A-941A-D	16	1
064538	0396G	Fuse casing	SPORTSTAR-A-34-10-04-01A-941A-D	23	1
064538	0396G	Fuse casing	SPORTSTAR-A-34-10-06-01A-941A-A	23	1
064609	0396G	Cable clamp	SPORTSTAR-A-34-10-03-01A-941A-D	40	1
064611	0396G	Clamp	SPORTSTAR-A-24-30-00-01A-941A-D	70	1

Applicability: All

SPORTSTAR-A-00-00-00-00A-942A-A



Illustrated Parts Catalogue

Part Number	NCAGE	Nomenclature	DMC	Item	QNA
064613	0396G	Cable sleeve	SPORTSTAR- A-24-31-00-01A-941A-D	70	1
064613	0396G	Cable sleeve	SPORTSTAR- A-24-31-00-01B-941A-D	70	1
064613	0396G	Cable sleeve	SPORTSTAR- A-24-31-00-01C-941A-D	70	1
068636	0396G	Connector Faston 4.8 (AWG22-16)	SPORTSTAR- A-24-30-00-01A-941A-D	36	6
068636	0396G	Connector Faston 4.8 (AWG22-16)	SPORTSTAR- A-24-31-00-01A-941A-D	36	10
068636	0396G	Connector Faston 4.8 (AWG22-16)	SPORTSTAR- A-24-31-00-01B-941A-D	36	10
068636	0396G	Connector Faston 4.8 (AWG22-16)	SPORTSTAR- A-24-31-00-01C-941A-D	36	10
068636	0396G	Connector Faston 4.8 (AWG22-16)	SPORTSTAR- A-24-40-00-01A-941A-D	23	1
068636	0396G	Connector Faston 4.8 (AWG22-16)	SPORTSTAR- A-24-60-02-01A-941A-D	17	2
068636	0396G	Connector Faston 4.8 (AWG22-16)	SPORTSTAR- A-24-60-02-01B-941A-D	17	2
068636	0396G	Connector Faston 4.8 (AWG22-16)	SPORTSTAR- A-28-00-00-01A-941A-D	51	2
068636	0396G	Connector Faston 4.8 (AWG22-16)	SPORTSTAR- A-28-00-00-01B-941A-D	51	2
068636	0396G	Connector Faston 4.8 (AWG22-16)	SPORTSTAR- A-33-10-01-01A-941A-D	21	2
068636	0396G	Connector Faston 4.8 (AWG22-16)	SPORTSTAR- A-33-10-01-01B-941A-D	21	2
068636	0396G	Connector Faston 4.8 (AWG22-16)	SPORTSTAR- A-33-10-01-01C-941A-D	21	3
068636	0396G	Connector Faston 4.8 (AWG22-16)	SPORTSTAR- A-33-40-01-01A-941A-D	28	2
068636	0396G	Connector Faston 4.8 (AWG22-16)	SPORTSTAR- A-33-40-01-01B-941A-D	28	2
068636	0396G	Connector Faston 4.8 (AWG22-16)	SPORTSTAR- A-33-40-01-01C-941A-D	28	2
068636	0396G	Connector Faston 4.8 (AWG22-16)	SPORTSTAR- A-33-40-01-01D-941A-D	28	2
068636	0396G	Connector Faston 4.8 (AWG22-16)	SPORTSTAR- A-33-40-02-01A-941A-D	23	4
068636	0396G	Connector Faston 4.8 (AWG22-16)	SPORTSTAR- A-33-40-03-01A-941A-D	23	4
068636	0396G	Connector Faston 4.8 (AWG22-16)	SPORTSTAR- A-33-40-03-01B-941A-D	23	6
068636	0396G	Connector Faston 4.8 (AWG22-16)	SPORTSTAR- A-34-10-04-01A-941A-D	67	2
068636	0396G	Connector Faston 4.8 (AWG22-16)	SPORTSTAR- A-34-10-06-01A-941A-A	67	2
068636	0396G	Connector Faston 4.8 (AWG22-16)	SPORTSTAR- A-34-11-00-01B-941A-D	50	2
068636	0396G	Connector Faston 4.8 (AWG22-16)	SPORTSTAR- A-34-11-00-01C-941A-D	17	2

Applicability: All

SPORTSTAR-A-00-00-00-00A-942A-A



Illustrated Parts Catalogue

Part Number	NCAGE	Nomenclature	DMC	Item	QNA
068636	0396G	Connector Faston 4.8 (AWG22-16)	SPORTSTAR-A-34-11-00-01D-941A-D	50	2
068636	0396G	Connector Faston 4.8 (AWG22-16)	SPORTSTAR-A-34-11-00-01E-941A-D	17	3
068636	0396G	Connector Faston 4.8 (AWG22-16)	SPORTSTAR-A-34-20-02-01A-941A-D	18	2
068636	0396G	Connector Faston 4.8 (AWG22-16)	SPORTSTAR-A-34-20-03-01A-941A-D	18	2
068636	0396G	Connector Faston 4.8 (AWG22-16)	SPORTSTAR-A-34-20-04-01A-941A-D	20	2
068636	0396G	Connector Faston 4.8 (AWG22-16)	SPORTSTAR-A-34-20-05-01A-941A-D	18	2
068637	0396G	Connector Faston 6.3 (AWG22-16)	SPORTSTAR-A-24-30-00-01A-941A-D	37	6
068637	0396G	Connector Faston 6.3 (AWG22-16)	SPORTSTAR-A-24-30-02-01A-941A-D	14	2
068637	0396G	Connector Faston 6.3 (AWG22-16)	SPORTSTAR-A-24-31-00-01A-941A-D	37	8
068637	0396G	Connector Faston 6.3 (AWG22-16)	SPORTSTAR-A-24-31-00-01B-941A-D	37	8
068637	0396G	Connector Faston 6.3 (AWG22-16)	SPORTSTAR-A-24-31-00-01C-941A-D	37	8
068637	0396G	Connector Faston 6.3 (AWG22-16)	SPORTSTAR-A-24-60-02-01A-941A-D	18	2
068637	0396G	Connector Faston 6.3 (AWG22-16)	SPORTSTAR-A-24-60-02-01B-941A-D	18	2
068637	0396G	Connector Faston 6.3 (AWG22-16)	SPORTSTAR-A-31-20-01-01A-941A-D	13	2
068637	0396G	Connector Faston 6.3 (AWG22-16)	SPORTSTAR-A-31-20-02-01A-941A-D	13	2
068637	0396G	Connector Faston 6.3 (AWG22-16)	SPORTSTAR-A-31-20-03-01A-941A-D	13	1
068637	0396G	Connector Faston 6.3 (AWG22-16)	SPORTSTAR-A-31-50-01-01A-941A-D	18	2
068637	0396G	Connector Faston 6.3 (AWG22-16)	SPORTSTAR-A-31-50-02-01A-941A-D	18	2
068637	0396G	Connector Faston 6.3 (AWG22-16)	SPORTSTAR-A-31-50-03-01A-941A-D	18	2
068637	0396G	Connector Faston 6.3 (AWG22-16)	SPORTSTAR-A-33-10-02-01A-941A-D	23	4
068637	0396G	Connector Faston 6.3 (AWG22-16)	SPORTSTAR-A-33-40-02-01A-941A-D	26	4
068637	0396G	Connector Faston 6.3 (AWG22-16)	SPORTSTAR-A-33-40-03-01A-941A-D	26	4
068637	0396G	Connector Faston 6.3 (AWG22-16)	SPORTSTAR-A-34-10-01-01A-941A-D	14	3
068637	0396G	Connector Faston 6.3 (AWG22-16)	SPORTSTAR-A-34-10-03-01A-941A-D	79	3
068637	0396G	Connector Faston 6.3 (AWG22-16)	SPORTSTAR-A-34-10-04-01A-941A-D	68	5
068637	0396G	Connector Faston 6.3 (AWG22-16)	SPORTSTAR-A-34-10-06-01A-941A-A	68	5

Applicability: All

SPORTSTAR-A-00-00-00-00A-942A-A



Illustrated Parts Catalogue

Part Number	NCAGE	Nomenclature	DMC	Item	QNA
068637	0396G	Connector Faston 6.3 (AWG22-16)	SPORTSTAR-A-34-11-00-01B-941A-D	51	6
068637	0396G	Connector Faston 6.3 (AWG22-16)	SPORTSTAR-A-34-11-00-01D-941A-D	51	6
068637	0396G	Connector Faston 6.3 (AWG22-16)	SPORTSTAR-A-77-00-00-01A-941A-D	30	20
068638	0396G	Connector Faston 6.3 (AWG22-16)	SPORTSTAR-A-24-30-00-01A-941A-D	38	2
068638	0396G	Connector Faston 6.3 (AWG22-16)	SPORTSTAR-A-24-31-00-01A-941A-D	38	3
068638	0396G	Connector Faston 6.3 (AWG22-16)	SPORTSTAR-A-24-31-00-01B-941A-D	38	3
068638	0396G	Connector Faston 6.3 (AWG22-16)	SPORTSTAR-A-24-31-00-01C-941A-D	38	3
068638	0396G	Connector Faston 6.3 (AWG22-16)	SPORTSTAR-A-24-40-00-01A-941A-D	24	8
068639	0396G	Connector Faston 6.3 (AWG16-14)	SPORTSTAR-A-24-30-00-01A-941A-D	39	4
068639	0396G	Connector Faston 6.3 (AWG16-14)	SPORTSTAR-A-24-31-00-01A-941A-D	39	2
068639	0396G	Connector Faston 6.3 (AWG16-14)	SPORTSTAR-A-24-31-00-01B-941A-D	39	2
068639	0396G	Connector Faston 6.3 (AWG16-14)	SPORTSTAR-A-24-31-00-01C-941A-D	39	2
068639	0396G	Connector Faston 6.3 (AWG16-14)	SPORTSTAR-A-24-60-02-01A-941A-D	19	2
068639	0396G	Connector Faston 6.3 (AWG16-14)	SPORTSTAR-A-24-60-02-01B-941A-D	19	2
068640	0396G	Connector - socket type	SPORTSTAR-A-25-60-02-01A-941A-D	17	1
068640	0396G	Connector - socket type	SPORTSTAR-A-27-32-00-01A-941A-D	16	2
068640	0396G	Connector - socket type	SPORTSTAR-A-33-10-01-01A-941A-D	16	1
068640	0396G	Connector - socket type	SPORTSTAR-A-33-10-03-01A-941A-D	11	2
068640	0396G	Connector - socket type	SPORTSTAR-A-33-40-01-01A-941A-D	20	2
068640	0396G	Connector - socket type	SPORTSTAR-A-33-40-01-01B-941A-D	20	2
068640	0396G	Connector - socket type	SPORTSTAR-A-33-40-01-01C-941A-D	20	2
068640	0396G	Connector - socket type	SPORTSTAR-A-33-40-01-01D-941A-D	20	2
068640	0396G	Connector - socket type	SPORTSTAR-A-33-40-02-01A-941A-D	10	2
068640	0396G	Connector - socket type	SPORTSTAR-A-34-10-03-01A-941A-D	61	2
068640	0396G	Connector - socket type	SPORTSTAR-A-34-10-04-01A-941A-D	54	2
068640	0396G	Connector - socket type	SPORTSTAR-A-34-10-06-01A-941A-A	54	2

Applicability: All

SPORTSTAR-A-00-00-00-00A-942A-A



Illustrated Parts Catalogue

Part Number	NCAGE	Nomenclature	DMC	Item	QNA
068640	0396G	Connector - socket type	SPORTSTAR-A-34-11-00-01B-941A-D	53	4
068640	0396G	Connector - socket type	SPORTSTAR-A-34-11-00-01C-941A-D	20	2
068640	0396G	Connector - socket type	SPORTSTAR-A-34-11-00-01D-941A-D	53	4
068640	0396G	Connector - socket type	SPORTSTAR-A-34-11-00-01E-941A-D	20	2
068640	0396G	Connector - socket type	SPORTSTAR-A-77-00-00-01A-941A-D	22	2
068641	0396G	Connector - plug type	SPORTSTAR-A-25-60-02-01A-941A-D	18	1
068641	0396G	Connector - plug type	SPORTSTAR-A-27-32-00-01A-941A-D	17	2
068641	0396G	Connector - plug type	SPORTSTAR-A-33-10-01-01A-941A-D	17	1
068641	0396G	Connector - plug type	SPORTSTAR-A-33-10-03-01A-941A-D	12	2
068641	0396G	Connector - plug type	SPORTSTAR-A-33-40-01-01A-941A-D	21	2
068641	0396G	Connector - plug type	SPORTSTAR-A-33-40-01-01B-941A-D	21	2
068641	0396G	Connector - plug type	SPORTSTAR-A-33-40-01-01C-941A-D	21	2
068641	0396G	Connector - plug type	SPORTSTAR-A-33-40-01-01D-941A-D	21	2
068641	0396G	Connector - plug type	SPORTSTAR-A-33-40-02-01A-941A-D	11	2
068641	0396G	Connector - plug type	SPORTSTAR-A-34-10-03-01A-941A-D	62	2
068641	0396G	Connector - plug type	SPORTSTAR-A-34-10-04-01A-941A-D	55	2
068641	0396G	Connector - plug type	SPORTSTAR-A-34-10-06-01A-941A-A	55	2
068641	0396G	Connector - plug type	SPORTSTAR-A-34-11-00-01B-941A-D	54	4
068641	0396G	Connector - plug type	SPORTSTAR-A-34-11-00-01C-941A-D	21	2
068641	0396G	Connector - plug type	SPORTSTAR-A-34-11-00-01D-941A-D	54	4
068641	0396G	Connector - plug type	SPORTSTAR-A-34-11-00-01E-941A-D	21	2
068641	0396G	Connector - plug type	SPORTSTAR-A-77-00-00-01A-941A-D	23	2
068642	0396G	Connector - socket type	SPORTSTAR-A-31-50-01-01A-941A-D	10	1
068642	0396G	Connector - socket type	SPORTSTAR-A-33-10-01-01B-941A-D	16	1
068642	0396G	Connector - socket type	SPORTSTAR-A-33-10-01-01C-941A-D	16	1
068642	0396G	Connector - socket type	SPORTSTAR-A-33-40-02-01A-941A-D	12	2

Applicability: All

SPORTSTAR-A-00-00-00-00A-942A-A



Illustrated Parts Catalogue

Part Number	NCAGE	Nomenclature	DMC	Item	QNA
068642	0396G	Connector - socket type	SPORTSTAR-A-33-40-03-01A-941A-D	14	2
068642	0396G	Connector - socket type	SPORTSTAR-A-33-40-03-01B-941A-D	14	2
068642	0396G	Connector - socket type	SPORTSTAR-A-34-10-03-01A-941A-D	63	2
068642	0396G	Connector - socket type	SPORTSTAR-A-34-10-04-01A-941A-D	56	1
068642	0396G	Connector - socket type	SPORTSTAR-A-34-10-06-01A-941A-A	56	1
068643	0396G	Connector - plug type	SPORTSTAR-A-31-50-01-01A-941A-D	11	1
068643	0396G	Connector - plug type	SPORTSTAR-A-33-10-01-01B-941A-D	17	1
068643	0396G	Connector - plug type	SPORTSTAR-A-33-10-01-01C-941A-D	17	1
068643	0396G	Connector - plug type	SPORTSTAR-A-33-40-02-01A-941A-D	13	2
068643	0396G	Connector - plug type	SPORTSTAR-A-33-40-03-01A-941A-D	15	2
068643	0396G	Connector - plug type	SPORTSTAR-A-33-40-03-01B-941A-D	15	2
068643	0396G	Connector - plug type	SPORTSTAR-A-34-10-03-01A-941A-D	64	2
068643	0396G	Connector - plug type	SPORTSTAR-A-34-10-04-01A-941A-D	57	1
068643	0396G	Connector - plug type	SPORTSTAR-A-34-10-06-01A-941A-A	57	1
068644	0396G	Connector - socket type	SPORTSTAR-A-33-40-03-01A-941A-D	18	2
068644	0396G	Connector - socket type	SPORTSTAR-A-33-40-03-01B-941A-D	18	2
068644	0396G	Connector - socket type	SPORTSTAR-A-34-10-03-01A-941A-D	65	2
068645	0396G	Connector - plug type	SPORTSTAR-A-33-40-03-01A-941A-D	19	2
068645	0396G	Connector - plug type	SPORTSTAR-A-33-40-03-01B-941A-D	19	2
068645	0396G	Connector - plug type	SPORTSTAR-A-34-10-03-01A-941A-D	66	2
068646	0396G	Socket (AWG22-18)	SPORTSTAR-A-25-60-02-01A-941A-D	19	2
068646	0396G	Socket (AWG22-18)	SPORTSTAR-A-27-32-00-01A-941A-D	18	4
068646	0396G	Socket (AWG22-18)	SPORTSTAR-A-31-50-01-01A-941A-D	15	2
068646	0396G	Socket (AWG22-18)	SPORTSTAR-A-33-10-01-01A-941A-D	18	2
068646	0396G	Socket (AWG22-18)	SPORTSTAR-A-33-10-01-01B-941A-D	18	2
068646	0396G	Socket (AWG22-18)	SPORTSTAR-A-33-10-01-01C-941A-D	18	2

Applicability: All

SPORTSTAR-A-00-00-00-00A-942A-A

Part Number	NCAGE	Nomenclature	DMC	Item	QNA
068646	0396G	Socket (AWG22-18)	SPORTSTAR-A-33-10-03-01A-941A-D	13	4
068646	0396G	Socket (AWG22-18)	SPORTSTAR-A-33-10-05-01A-941A-D	22	1
068646	0396G	Socket (AWG22-18)	SPORTSTAR-A-33-40-02-01A-941A-D	14	2
068646	0396G	Socket (AWG22-18)	SPORTSTAR-A-33-40-03-01A-941A-D	16	14
068646	0396G	Socket (AWG22-18)	SPORTSTAR-A-33-40-03-01B-941A-D	16	14
068646	0396G	Socket (AWG22-18)	SPORTSTAR-A-34-10-03-01A-941A-D	70	18
068646	0396G	Socket (AWG22-18)	SPORTSTAR-A-34-10-04-01A-941A-D	60	7
068646	0396G	Socket (AWG22-18)	SPORTSTAR-A-34-10-06-01A-941A-A	60	7
068646	0396G	Socket (AWG22-18)	SPORTSTAR-A-34-11-00-01B-941A-D	55	6
068646	0396G	Socket (AWG22-18)	SPORTSTAR-A-34-11-00-01C-941A-D	22	3
068646	0396G	Socket (AWG22-18)	SPORTSTAR-A-34-11-00-01D-941A-D	55	6
068646	0396G	Socket (AWG22-18)	SPORTSTAR-A-34-11-00-01E-941A-D	22	3
068646	0396G	Socket (AWG22-18)	SPORTSTAR-A-77-00-00-01A-941A-D	24	4
068647	0396G	Socket (AWG20-16)	SPORTSTAR-A-33-40-01-01A-941A-D	22	3
068647	0396G	Socket (AWG20-16)	SPORTSTAR-A-33-40-01-01B-941A-D	22	3
068647	0396G	Socket (AWG20-16)	SPORTSTAR-A-33-40-01-01C-941A-D	22	3
068647	0396G	Socket (AWG20-16)	SPORTSTAR-A-33-40-01-01D-941A-D	22	3
068647	0396G	Socket (AWG20-16)	SPORTSTAR-A-33-40-02-01A-941A-D	15	6
068648	0396G	Plug (AWG22-18)	SPORTSTAR-A-25-60-02-01A-941A-D	20	2
068648	0396G	Plug (AWG22-18)	SPORTSTAR-A-27-32-00-01A-941A-D	19	4
068648	0396G	Plug (AWG22-18)	SPORTSTAR-A-31-50-01-01A-941A-D	16	3
068648	0396G	Plug (AWG22-18)	SPORTSTAR-A-33-10-01-01A-941A-D	19	2
068648	0396G	Plug (AWG22-18)	SPORTSTAR-A-33-10-01-01B-941A-D	19	2
068648	0396G	Plug (AWG22-18)	SPORTSTAR-A-33-10-01-01C-941A-D	19	2
068648	0396G	Plug (AWG22-18)	SPORTSTAR-A-33-10-03-01A-941A-D	14	4
068648	0396G	Plug (AWG22-18)	SPORTSTAR-A-33-10-05-01A-941A-D	21	1

Applicability: All

SPORTSTAR-A-00-00-00-00A-942A-A



Illustrated Parts Catalogue

Part Number	NCAGE	Nomenclature	DMC	Item	QNA
068648	0396G	Plug (AWG22-18)	SPORTSTAR- A-33-40-02-01A-941A-D	16	2
068648	0396G	Plug (AWG22-18)	SPORTSTAR- A-33-40-03-01A-941A-D	17	14
068648	0396G	Plug (AWG22-18)	SPORTSTAR- A-33-40-03-01B-941A-D	17	14
068648	0396G	Plug (AWG22-18)	SPORTSTAR- A-34-10-03-01A-941A-D	71	18
068648	0396G	Plug (AWG22-18)	SPORTSTAR- A-34-10-04-01A-941A-D	61	7
068648	0396G	Plug (AWG22-18)	SPORTSTAR- A-34-10-06-01A-941A-A	61	7
068648	0396G	Plug (AWG22-18)	SPORTSTAR- A-34-11-00-01B-941A-D	56	6
068648	0396G	Plug (AWG22-18)	SPORTSTAR- A-34-11-00-01C-941A-D	23	3
068648	0396G	Plug (AWG22-18)	SPORTSTAR- A-34-11-00-01D-941A-D	56	6
068648	0396G	Plug (AWG22-18)	SPORTSTAR- A-34-11-00-01E-941A-D	23	3
068648	0396G	Plug (AWG22-18)	SPORTSTAR- A-77-00-00-01A-941A-D	25	4
068649	0396G	Plug (AWG20-16)	SPORTSTAR- A-33-40-01-01A-941A-D	23	3
068649	0396G	Plug (AWG20-16)	SPORTSTAR- A-33-40-01-01B-941A-D	23	3
068649	0396G	Plug (AWG20-16)	SPORTSTAR- A-33-40-01-01C-941A-D	23	3
068649	0396G	Plug (AWG20-16)	SPORTSTAR- A-33-40-01-01D-941A-D	23	3
068649	0396G	Plug (AWG20-16)	SPORTSTAR- A-33-40-02-01A-941A-D	17	6
068658	0396G	Connector	SPORTSTAR- A-34-20-04-01A-941A-D	14	1
068658	0396G	Connector	SPORTSTAR- A-34-20-05-01A-941A-D	11	1
068969	0396G	Connector	SPORTSTAR- A-34-20-02-01A-941A-D	11	1
068969	0396G	Connector	SPORTSTAR- A-34-20-03-01A-941A-D	11	1
068983	0396G	BNC connector	SPORTSTAR- A-25-60-01-01A-941A-D	15	2
068983	0396G	BNC connector	SPORTSTAR- A-25-60-02-01A-941A-D	15	2
068983	0396G	BNC connector	SPORTSTAR- A-25-60-03-01A-941A-D	15	2
069110	0396G	Switch	SPORTSTAR- A-24-30-00-01A-941A-D	18	1
069110	0396G	Switch	SPORTSTAR- A-24-31-00-01A-941A-D	18	3
069110	0396G	Switch	SPORTSTAR- A-24-31-00-01B-941A-D	18	3

Applicability: All

SPORTSTAR-A-00-00-00-00A-942A-A

Illustrated Parts Catalogue

Part Number	NCAGE	Nomenclature	DMC	Item	QNA
069110	0396G	Switch	SPORTSTAR-A-24-60-02-01A-941A-D	12	1
069110	0396G	Switch	SPORTSTAR-A-28-00-00-01A-941A-D	48	1
069110	0396G	Switch	SPORTSTAR-A-33-10-01-01A-941A-D	13	1
069110	0396G	Switch	SPORTSTAR-A-33-10-01-01B-941A-D	13	1
069110	0396G	Switch	SPORTSTAR-A-33-40-01-01A-941A-D	14	1
069110	0396G	Switch	SPORTSTAR-A-33-40-01-01B-941A-D	14	1
069110	0396G	Switch	SPORTSTAR-A-33-40-02-01A-941A-D	7	2
069110	0396G	Switch	SPORTSTAR-A-33-40-03-01A-941A-D	13	2
069110	0396G	Switch	SPORTSTAR-A-34-10-04-01A-941A-D	48	1
069110	0396G	Switch	SPORTSTAR-A-34-11-00-01B-941A-D	41	1
069110	0396G	Switch	SPORTSTAR-A-34-11-00-01C-941A-D	12	1
069110	0396G	Switch	SPORTSTAR-A-34-11-00-01D-941A-D	41	1
069110	0396G	Switch	SPORTSTAR-A-34-20-02-01A-941A-D	14	1
069110	0396G	Switch	SPORTSTAR-A-34-20-03-01A-941A-D	14	1
069110	0396G	Switch	SPORTSTAR-A-34-20-04-01A-941A-D	13	1
069110	0396G	Switch	SPORTSTAR-A-34-20-05-01A-941A-D	14	1
069115	0396G	Switch	SPORTSTAR-A-24-30-00-01A-941A-D	17	1
069115	0396G	Switch	SPORTSTAR-A-24-31-00-01A-941A-D	17	1
069115	0396G	Switch	SPORTSTAR-A-24-31-00-01B-941A-D	17	1
069130	0396G	Microswitch	SPORTSTAR-A-31-50-02-01A-941A-D	6	1
069130	0396G	Microswitch	SPORTSTAR-A-31-50-03-01A-941A-D	6	1
069130	0396G	Microswitch	SPORTSTAR-A-52-10-01-01A-941A-D	13	1
069135	0396G	Switch illuminated	SPORTSTAR-A-24-31-00-01C-941A-D	18	3
069135	0396G	Switch illuminated	SPORTSTAR-A-28-00-00-01B-941A-D	48	1
069135	0396G	Switch illuminated	SPORTSTAR-A-33-10-01-01C-941A-D	13	1
069135	0396G	Switch illuminated	SPORTSTAR-A-33-40-01-01C-941A-D	14	1

Applicability: All

SPORTSTAR-A-00-00-00-00A-942A-A

Part Number	NCAGE	Nomenclature	DMC	Item	QNA
069135	0396G	Switch illuminated	SPORTSTAR- A-33-40-01-01D-941A-D	14	1
069135	0396G	Switch illuminated	SPORTSTAR- A-33-40-03-01B-941A-D	13	2
069135	0396G	Switch illuminated	SPORTSTAR- A-34-11-00-01E-941A-D	12	1
069136	0396G	Switch illuminated	SPORTSTAR- A-24-60-02-01B-941A-D	12	1
069136	0396G	Switch illuminated	SPORTSTAR- A-34-10-06-01A-941A-A	48	1
069138	0396G	LED strip	SPORTSTAR- A-33-10-05-01A-941A-D	15	1
069227	0396G	Switch box	SPORTSTAR- A-24-30-00-01A-941A-D	16	1
069227	0396G	Switch box	SPORTSTAR- A-24-31-00-01A-941A-D	16	1
069227	0396G	Switch box	SPORTSTAR- A-24-31-00-01B-941A-D	16	1
069227	0396G	Switch box	SPORTSTAR- A-24-31-00-01C-941A-D	16	1
069480	0396G	Instrument knob	SPORTSTAR- A-33-10-05-01A-941A-D	14	1
069480	0396G	Instrument knob	SPORTSTAR- A-33-10-06-01A-941A-D	2	1
069502	0396G	Linear single potentiometer	SPORTSTAR- A-33-10-06-01A-941A-D	1	1
069665	0396G	Switching relay	SPORTSTAR- A-24-30-00-01A-941A-D	25	1
069673	0396G	Switching relay	SPORTSTAR- A-24-31-00-01A-941A-D	25	1
069673	0396G	Switching relay	SPORTSTAR- A-24-31-00-01B-941A-D	25	1
069673	0396G	Switching relay	SPORTSTAR- A-24-31-00-01C-941A-D	25	1
069674	0396G	Switch relay 12V/30A	SPORTSTAR- A-24-60-02-01A-941A-D	1	1
069674	0396G	Switch relay 12V/30A	SPORTSTAR- A-24-60-02-01B-941A-D	11	1
069674	0396G	Switch relay 12V/30A	SPORTSTAR- A-33-10-02-01A-941A-D	14	1
069674	0396G	Switch relay 12V/30A	SPORTSTAR- A-33-40-02-01A-941A-D	8	1
069674	0396G	Switch relay 12V/30A	SPORTSTAR- A-33-40-03-01A-941A-D	8	1
069674	0396G	Switch relay 12V/30A	SPORTSTAR- A-34-11-00-01B-941A-D	42	1
069674	0396G	Switch relay 12V/30A	SPORTSTAR- A-34-11-00-01D-941A-D	42	1
069676	0396G	Switching relay	SPORTSTAR- A-24-40-00-01A-941A-D	12	1
069708	0396G	Connecting socket	SPORTSTAR- A-24-30-00-01A-941A-D	41	1

Applicability: All

SPORTSTAR-A-00-00-00-00A-942A-A

Illustrated Parts Catalogue

Part Number	NCAGE	Nomenclature	DMC	Item	QNA
069708	0396G	Connecting socket	SPORTSTAR- A-24-31-00-01A-941A-D	41	1
069708	0396G	Connecting socket	SPORTSTAR- A-24-31-00-01B-941A-D	41	1
069708	0396G	Connecting socket	SPORTSTAR- A-24-31-00-01C-941A-D	41	1
069717	0396G	Connector Faston 6.3x0.8	SPORTSTAR- A-32-10-01-01B-941A-D	15	2
070316 (WHELEN 01-0771141-12)	0396G	LED light Whellen 71141	SPORTSTAR- A-33-40-01-01A-941A-D	11	1
070316 (WHELEN 01-0771141-12)	0396G	LED light Whellen 71141	SPORTSTAR- A-33-40-01-01B-941A-D	11	1
070316 (WHELEN 01-0771141-12)	0396G	LED light Whellen 71141	SPORTSTAR- A-33-40-01-01C-941A-D	11	1
070316 (WHELEN 01-0771141-12)	0396G	LED light Whellen 71141	SPORTSTAR- A-33-40-01-01D-941A-D	11	1
070529	0396G	Micro bulb	SPORTSTAR- A-24-31-00-01C-941A-D	13	1
070530	0396G	LED Bulb	SPORTSTAR- A-24-31-00-01B-941A-D	24	2
070530	0396G	LED Bulb	SPORTSTAR- A-24-31-00-01C-941A-D	24	2
070530	0396G	LED Bulb	SPORTSTAR- A-34-10-04-01A-941A-D	29	1
070530	0396G	LED Bulb	SPORTSTAR- A-34-10-06-01A-941A-A	29	1
070557	0396G	Bulb	SPORTSTAR- A-24-30-00-01A-941A-D	22	1
070557	0396G	Bulb	SPORTSTAR- A-24-31-00-01A-941A-D	24	2
070557	0396G	Bulb	SPORTSTAR- A-24-40-00-01A-941A-D	14	1
070557	0396G	Bulb	SPORTSTAR- A-31-50-01-01A-941A-D	8	1
070557	0396G	Bulb	SPORTSTAR- A-31-50-02-01A-941A-D	8	1
070557	0396G	Bulb	SPORTSTAR- A-31-50-03-01A-941A-D	8	1
070557	0396G	Bulb	SPORTSTAR- A-34-11-00-01B-941A-D	44	1
070557	0396G	Bulb	SPORTSTAR- A-34-11-00-01D-941A-D	44	1
070686	0396G	IBBS-12v-3ah TCWTE Backup bat- tery	SPORTSTAR- A-34-10-04-01A-941A-D	19	1
070686	0396G	IBBS-12v-3ah TCWTE Backup bat- tery	SPORTSTAR- A-34-10-06-01A-941A-A	19	1
070699	0396G	Diode	SPORTSTAR- A-24-40-00-01A-941A-D	15	1
070705	0396G	Battery Forte FG12200	SPORTSTAR- A-24-30-03-01A-941A-D	1	1

Applicability: All

SPORTSTAR-A-00-00-00-00A-942A-A

Part Number	NCAGE	Nomenclature	DMC	Item	QNA
070705	0396G	Battery Forte FG12200	SPORTSTAR- A-24-31-00-01C-941A-D	15	1
070710	0396G	Battery Forte 12200	SPORTSTAR- A-24-30-00-01A-941A-D	15	1
070710	0396G	Battery Forte 12200	SPORTSTAR- A-24-31-00-01A-941A-D	15	1
070710	0396G	Battery Forte 12200	SPORTSTAR- A-24-31-00-01B-941A-D	15	1
070800	0396G	Carbon seat heating	SPORTSTAR- A-25-10-03-01A-941A-D	11	2
071315	0396G	Capacitor	SPORTSTAR- A-24-30-01-01A-941A-D	1	1
071315	0396G	Capacitor	SPORTSTAR- A-24-31-00-01B-941A-D	14	1
071315	0396G	Capacitor	SPORTSTAR- A-24-31-00-01C-941A-D	14	1
074350	0396G	Normaconnect pipe connection	SPORTSTAR- A-78-00-00-01A-941A-D	6	4
074500	0396G	Hose clamp Cobra 9.0/7 W4	SPORTSTAR- A-34-10-03-01A-941A-D	35	2
074500	0396G	Hose clamp Cobra 9.0/7 W4	SPORTSTAR- A-34-10-04-01A-941A-D	35	4
074500	0396G	Hose clamp Cobra 9.0/7 W4	SPORTSTAR- A-34-10-06-01A-941A-A	35	4
074500	0396G	Hose clamp Cobra 9.0/7 W4	SPORTSTAR- A-34-11-00-01A-941A-D	14	4
074500	0396G	Hose clamp Cobra 9.0/7 W4	SPORTSTAR- A-34-11-00-01B-941A-D	9	7
074500	0396G	Hose clamp Cobra 9.0/7 W4	SPORTSTAR- A-34-11-00-01D-941A-D	9	7
074501	0396G	Hose clamp Cobra 8.0/7 W4	SPORTSTAR- A-34-10-03-01A-941A-D	34	12
074501	0396G	Hose clamp Cobra 8.0/7 W4	SPORTSTAR- A-34-10-04-01A-941A-D	34	14
074501	0396G	Hose clamp Cobra 8.0/7 W4	SPORTSTAR- A-34-10-06-01A-941A-A	34	14
074501	0396G	Hose clamp Cobra 8.0/7 W4	SPORTSTAR- A-34-11-00-01A-941A-D	15	13
074501	0396G	Hose clamp Cobra 8.0/7 W4	SPORTSTAR- A-34-11-00-01B-941A-D	8	23
074501	0396G	Hose clamp Cobra 8.0/7 W4	SPORTSTAR- A-34-11-00-01D-941A-D	8	23
074503	0396G	Hose clamp Cobra 10.0/7 W4	SPORTSTAR- A-71-60-00-01A-941A-D	50	4
074506	0396G	Hose clamp Cobra 11.0/7 W4	SPORTSTAR- A-28-00-00-01A-941A-D	36	18
074506	0396G	Hose clamp Cobra 11.0/7 W4	SPORTSTAR- A-28-00-00-01B-941A-D	36	18
074506	0396G	Hose clamp Cobra 11.0/7 W4	SPORTSTAR- A-34-10-03-01A-941A-D	36	10
074506	0396G	Hose clamp Cobra 11.0/7 W4	SPORTSTAR- A-34-10-04-01A-941A-D	36	10

Applicability: All

SPORTSTAR-A-00-00-00-00A-942A-A

Illustrated Parts Catalogue

Part Number	NCAGE	Nomenclature	DMC	Item	QNA
074506	0396G	Hose clamp Cobra 11.0/7 W4	SPORTSTAR- A-34-10-06-01A-941A-A	36	10
074506	0396G	Hose clamp Cobra 11.0/7 W4	SPORTSTAR- A-77-10-01-01A-941A-D	8	1
074508	0396G	Hose clamp Cobra 12.0/8 W4	SPORTSTAR- A-28-00-00-01A-941A-D	37	22
074508	0396G	Hose clamp Cobra 12.0/8 W4	SPORTSTAR- A-28-00-00-01B-941A-D	37	22
074508	0396G	Hose clamp Cobra 12.0/8 W4	SPORTSTAR- A-32-41-00-01A-941A-D	7	2
074508	0396G	Hose clamp Cobra 12.0/8 W4	SPORTSTAR- A-34-10-03-01A-941A-D	37	4
074508	0396G	Hose clamp Cobra 12.0/8 W4	SPORTSTAR- A-34-10-04-01A-941A-D	37	4
074508	0396G	Hose clamp Cobra 12.0/8 W4	SPORTSTAR- A-34-10-06-01A-941A-A	37	4
074508	0396G	Hose clamp Cobra 12.0/8 W4	SPORTSTAR- A-75-00-00-01A-941A-D	18	2
074508	0396G	Hose clamp Cobra 12.0/8 W4	SPORTSTAR- A-77-10-01-01A-941A-D	3	3
074509	0396G	Hose clamp	SPORTSTAR- A-79-00-00-01A-941A-D	19	1
074509	0396G	Hose clamp	SPORTSTAR- A-79-00-00-01B-941A-D	19	1
074509	0396G	Hose clamp	SPORTSTAR- A-79-00-00-01C-941A-D	19	1
074524 (DIN 3017)	0396G	Hose clamp	SPORTSTAR- A-75-00-00-01A-941A-D	19	10
075148 (DIN 472)	0396G	Ring	SPORTSTAR- A-32-41-02-01A-941A-D	32	1
075276 (DIN 472)	0396G	Securing ring 42	SPORTSTAR- A-32-40-01-01A-941A-D	25	2
075276 (DIN 472)	0396G	Securing ring 42	SPORTSTAR- A-32-40-03-01A-941A-D	25	2
075570 (DIN 71412B)	0396G	Grease nipple	SPORTSTAR- A-32-20-00-01A-941A-D	40	1
076800	0396G	Bushing 3.5x1	SPORTSTAR- A-27-32-00-01A-941A-D	33	1
076800	0396G	Bushing 3.5x1	SPORTSTAR- A-33-10-01-01A-941A-D	30	2
076800	0396G	Bushing 3.5x1	SPORTSTAR- A-33-10-01-01B-941A-D	30	2
076800	0396G	Bushing 3.5x1	SPORTSTAR- A-33-10-01-01C-941A-D	30	2
076803	0396G	Bushing 4.5x1	SPORTSTAR- A-32-41-00-01A-941A-D	28	2
076803	0396G	Bushing 4.5x1	SPORTSTAR- A-77-00-00-01A-941A-D	42	2
076809	0396G	Bushing 5.5x1	SPORTSTAR- A-25-60-01-01A-941A-D	36	1
076809	0396G	Bushing 5.5x1	SPORTSTAR- A-25-60-02-01A-941A-D	36	2

Applicability: All

SPORTSTAR-A-00-00-00-00A-942A-A



Illustrated Parts Catalogue

Part Number	NCAGE	Nomenclature	DMC	Item	QNA
076809	0396G	Bushing 5.5x1	SPORTSTAR- A-25-60-03-01A-941A-D	36	2
076809	0396G	Bushing 5.5x1	SPORTSTAR- A-27-20-04-01B-941A-D	20	4
076809	0396G	Bushing 5.5x1	SPORTSTAR- A-32-41-00-01B-941A-D	85	2
076809	0396G	Bushing 5.5x1	SPORTSTAR- A-33-40-01-01A-941A-D	52	1
076809	0396G	Bushing 5.5x1	SPORTSTAR- A-33-40-01-01B-941A-D	52	1
076809	0396G	Bushing 5.5x1	SPORTSTAR- A-33-40-01-01C-941A-D	52	1
076809	0396G	Bushing 5.5x1	SPORTSTAR- A-33-40-01-01D-941A-D	52	1
076809	0396G	Bushing 5.5x1	SPORTSTAR- A-33-40-03-01A-941A-D	42	2
076809	0396G	Bushing 5.5x1	SPORTSTAR- A-33-40-03-01B-941A-D	42	2
076809	0396G	Bushing 5.5x1	SPORTSTAR- A-76-10-01-01A-941A-D	18	2
076809	0396G	Bushing 5.5x1	SPORTSTAR- A-76-10-02-01A-941A-D	10	2
076809	0396G	Bushing 5.5x1	SPORTSTAR- A-76-11-01-01A-941A-D	19	2
076815	0396G	Bushing 7x1	SPORTSTAR- A-24-30-00-01A-941A-D	60	6
076815	0396G	Bushing 7x1	SPORTSTAR- A-24-31-00-01A-941A-D	60	6
076815	0396G	Bushing 7x1	SPORTSTAR- A-24-31-00-01B-941A-D	60	6
076815	0396G	Bushing 7x1	SPORTSTAR- A-24-31-00-01C-941A-D	60	6
076815	0396G	Bushing 7x1	SPORTSTAR- A-24-40-00-01A-941A-D	41	2
076818	0396G	Bushing 7x2	SPORTSTAR- A-24-30-00-01A-941A-D	61	18
076818	0396G	Bushing 7x2	SPORTSTAR- A-24-31-00-01A-941A-D	61	18
076818	0396G	Bushing 7x2	SPORTSTAR- A-24-31-00-01B-941A-D	61	18
076818	0396G	Bushing 7x2	SPORTSTAR- A-24-31-00-01C-941A-D	61	18
076821	0396G	Bushing 8x1	SPORTSTAR- A-28-00-00-01A-941A-D	28	4
076821	0396G	Bushing 8x1	SPORTSTAR- A-28-00-00-01B-941A-D	28	4
076821	0396G	Bushing 8x1	SPORTSTAR- A-34-10-03-01A-941A-D	99	2
076830	0396G	Bushing 9x1	SPORTSTAR- A-34-11-00-01A-941A-D	6	6
076830	0396G	Bushing 9x1	SPORTSTAR- A-34-11-00-01B-941A-D	20	7

Applicability: All

SPORTSTAR-A-00-00-00-00A-942A-A

Illustrated Parts Catalogue

Part Number	NCAGE	Nomenclature	DMC	Item	QNA
076830	0396G	Bushing 9x1	SPORTSTAR-A-34-11-00-01D-941A-D	20	7
076900	0396G	Bushing 11x1	SPORTSTAR-A-24-30-00-01A-941A-D	62	2
076900	0396G	Bushing 11x1	SPORTSTAR-A-24-31-00-01A-941A-D	62	2
076900	0396G	Bushing 11x1	SPORTSTAR-A-24-31-00-01B-941A-D	62	2
076900	0396G	Bushing 11x1	SPORTSTAR-A-24-31-00-01C-941A-D	62	2
076950	0396G	Bushing 13x1	SPORTSTAR-A-24-30-00-01A-941A-D	63	3
076950	0396G	Bushing 13x1	SPORTSTAR-A-24-31-00-01A-941A-D	63	3
076950	0396G	Bushing 13x1	SPORTSTAR-A-24-31-00-01B-941A-D	63	3
076950	0396G	Bushing 13x1	SPORTSTAR-A-24-31-00-01C-941A-D	63	3
076950	0396G	Bushing 13x1	SPORTSTAR-A-28-00-00-01A-941A-D	35	4
076950	0396G	Bushing 13x1	SPORTSTAR-A-28-00-00-01B-941A-D	35	4
076950	0396G	Bushing 13x1	SPORTSTAR-A-77-00-00-01A-941A-D	43	2
076955	0396G	Bushing 13x2	SPORTSTAR-A-34-11-00-01A-941A-D	22	1
076955	0396G	Bushing 13x2	SPORTSTAR-A-34-11-00-01B-941A-D	22	1
076955	0396G	Bushing 13x2	SPORTSTAR-A-34-11-00-01D-941A-D	22	2
077060 (CSN 63 3881.3)	0396G	Bushing 18x1	SPORTSTAR-A-34-11-00-01D-941A-D	21	3
077060 (CSN 63 3881.3)	0396G	Bushing 18x1	SPORTSTAR-A-53-20-02-01A-941A-D	5	2
077100	0396G	Bushing 18x2	SPORTSTAR-A-34-11-00-01A-941A-D	21	2
077100	0396G	Bushing 18x2	SPORTSTAR-A-34-11-00-01B-941A-D	21	3
077415	0396G	Rubber cover	SPORTSTAR-A-24-30-00-01A-941A-D	58	3
077415	0396G	Rubber cover	SPORTSTAR-A-24-31-00-01A-941A-D	58	4
077415	0396G	Rubber cover	SPORTSTAR-A-24-31-00-01B-941A-D	58	4
077415	0396G	Rubber cover	SPORTSTAR-A-24-31-00-01C-941A-D	58	4
077415	0396G	Rubber cover	SPORTSTAR-A-24-40-00-01A-941A-D	40	2
077415	0396G	Rubber cover	SPORTSTAR-A-34-10-04-01A-941A-D	85	2
077415	0396G	Rubber cover	SPORTSTAR-A-34-10-06-01A-941A-A	85	2

Applicability: All

SPORTSTAR-A-00-00-00-00A-942A-A

Part Number	NCAGE	Nomenclature	DMC	Item	QNA
078355	0396G	Handle	SPORTSTAR- A-27-10-01-01A-941A-D	11	2
078373	0396G	Control stick head	SPORTSTAR- A-27-31-00-01A-941A-D	53	2
078378	0396G	Relay of servo	SPORTSTAR- A-27-31-00-01A-941A-D	55	1
078383	0396G	Servo	SPORTSTAR- A-27-31-00-01A-941A-D	51	1
078385	0396G	Trim tab installation kit	SPORTSTAR- A-27-31-00-01A-941A-D	50	1
078676	0396G	Canopy handle	SPORTSTAR- A-52-10-00-01A-941A-D	23	1
079200	0396G	Terminal	SPORTSTAR- A-34-20-04-01A-941A-D	15	1
079200	0396G	Terminal	SPORTSTAR- A-34-20-05-01A-941A-D	12	1
079563	0396G	Adjustable rod eye with swivel	SPORTSTAR- A-55-00-00-01A-941A-D	43	1
079575	0396G	Adjustable rod eye with swivel	SPORTSTAR- A-27-30-06-01A-941A-A	14	1
079582	0396G	Pipe clamp 1x8	SPORTSTAR- A-28-00-00-01A-941A-D	27	4
079594	0396G	Clamp 2x6	SPORTSTAR- A-34-10-02-01A-941A-D	29	5
079594	0396G	Clamp 2x6	SPORTSTAR- A-34-10-05-01A-941A-D	29	5
079599	0396G	Pipe clamp 1x8	SPORTSTAR- A-28-00-00-01B-941A-D	27	4
079605	0396G	Clamp 1x6	SPORTSTAR- A-34-10-02-01A-941A-D	30	2
079605	0396G	Clamp 1x6	SPORTSTAR- A-34-10-05-01A-941A-D	30	2
079609	0396G	Pipe clamp 2x8	SPORTSTAR- A-28-00-00-01A-941A-D	24	4
079609	0396G	Pipe clamp 2x8	SPORTSTAR- A-28-00-00-01B-941A-D	24	4
079611	0396G	Pipe clamp 1x8	SPORTSTAR- A-27-20-03-01A-941A-D	13	2
079611	0396G	Pipe clamp 1x8	SPORTSTAR- A-28-00-00-01A-941A-D	23	3
079611	0396G	Pipe clamp 1x8	SPORTSTAR- A-28-00-00-01B-941A-D	23	3
079614	0396G	Pipe clamp 1x12	SPORTSTAR- A-28-00-00-01A-941A-D	22	4
079614	0396G	Pipe clamp 1x12	SPORTSTAR- A-28-00-00-01B-941A-D	22	4
079620	0396G	Tie 1x18	SPORTSTAR- A-24-31-00-01A-941A-D	69	1
079620	0396G	Tie 1x18	SPORTSTAR- A-24-31-00-01B-941A-D	69	1
079620	0396G	Tie 1x18	SPORTSTAR- A-24-31-00-01C-941A-D	69	1

Applicability: All

SPORTSTAR-A-00-00-00-00A-942A-A

Illustrated Parts Catalogue

Part Number	NCAGE	Nomenclature	DMC	Item	QNA
079631	0396G	Eye-ball vent	SPORTSTAR-A-21-00-00-01A-941A-D	63	2
079637	0396G	Knob	SPORTSTAR-A-34-11-00-01B-941A-D	6	1
079637	0396G	Knob	SPORTSTAR-A-34-11-00-01D-941A-D	6	1
079875	0396G	Protective spiral	SPORTSTAR-A-32-41-00-01A-941A-D	30	AR
079875	0396G	Protective spiral	SPORTSTAR-A-32-41-00-01B-941A-D	90	AR
079876	0396G	Protective spiral	SPORTSTAR-A-24-30-00-01A-941A-D	73	AR
079876	0396G	Protective spiral	SPORTSTAR-A-24-31-00-01A-941A-D	53	AR
079876	0396G	Protective spiral	SPORTSTAR-A-24-31-00-01B-941A-D	53	AR
079876	0396G	Protective spiral	SPORTSTAR-A-24-31-00-01C-941A-D	53	AR
079876	0396G	Protective spiral	SPORTSTAR-A-28-00-00-01A-941A-D	42	AR
079876	0396G	Protective spiral	SPORTSTAR-A-28-00-00-01B-941A-D	42	AR
079876	0396G	Protective spiral	SPORTSTAR-A-32-41-00-01A-941A-D	33	AR
079876	0396G	Protective spiral	SPORTSTAR-A-34-10-03-01A-941A-D	94	AR
079876	0396G	Protective spiral	SPORTSTAR-A-34-10-04-01A-941A-D	84	AR
079876	0396G	Protective spiral	SPORTSTAR-A-34-10-06-01A-941A-A	84	AR
079891	0396G	Distributor piece	SPORTSTAR-A-34-10-03-01A-941A-D	31	2
079891	0396G	Distributor piece	SPORTSTAR-A-34-10-04-01A-941A-D	31	4
079891	0396G	Distributor piece	SPORTSTAR-A-34-10-06-01A-941A-A	31	4
079891	0396G	Distributor piece	SPORTSTAR-A-34-11-00-01A-941A-D	11	2
079891	0396G	Distributor piece	SPORTSTAR-A-34-11-00-01B-941A-D	10	1
079891	0396G	Distributor piece	SPORTSTAR-A-34-11-00-01D-941A-D	10	1
079892	0396G	Distributor piece	SPORTSTAR-A-34-11-00-01A-941A-D	12	1
079892	0396G	Distributor piece	SPORTSTAR-A-34-11-00-01B-941A-D	11	1
079892	0396G	Distributor piece	SPORTSTAR-A-34-11-00-01D-941A-D	11	1
079896	0396G	Hose connection	SPORTSTAR-A-34-10-03-01A-941A-D	30	4
079896	0396G	Hose connection	SPORTSTAR-A-34-10-04-01A-941A-D	30	6

Applicability: All

SPORTSTAR-A-00-00-00-00A-942A-A

Illustrated Parts Catalogue

Part Number	NCAGE	Nomenclature	DMC	Item	QNA
079896	0396G	Hose connection	SPORTSTAR- A-34-10-06-01A-941A-A	30	6
079896	0396G	Hose connection	SPORTSTAR- A-34-12-00-01A-941A-D	10	4
079896	0396G	Hose connection	SPORTSTAR- A-34-13-00-01A-941A-D	10	4
079896	0396G	Hose connection	SPORTSTAR- A-34-14-00-01A-941A-D	10	3
079896	0396G	Hose connection	SPORTSTAR- A-34-15-00-01A-941A-D	10	1
079896	0396G	Hose connection	SPORTSTAR- A-34-16-00-01A-941A-D	10	3
079896	0396G	Hose connection	SPORTSTAR- A-77-10-01-01A-941A-D	9	1
079962	0396G	Gas strut	SPORTSTAR- A-52-10-00-01A-941A-D	22	2
080009	0396G	Airspeed indicator UMA	SPORTSTAR- A-34-16-00-01A-941A-D	1	1
080010	0396G	Airspeed indicator UMA	SPORTSTAR- A-34-14-00-01A-941A-D	1	1
080018	0396G	Airspeed indicator LUN 1106.E4B1	SPORTSTAR- A-34-12-00-01A-941A-D	1	1
080020	0396G	Airspeed indicator LUN 1106.I4B2	SPORTSTAR- A-34-15-00-01A-941A-D	1	1
080040	0396G	Airspeed indicator BK300	SPORTSTAR- A-34-13-00-01A-941A-D	1	1
080058	0396G	Verical speed ind. LUN 1144.F2B1	SPORTSTAR- A-34-12-00-01A-941A-D	3	1
080060	0396G	Altimeter LUN 1128.12B6	SPORTSTAR- A-34-12-00-01A-941A-D	2	1
080060	0396G	Altimeter LUN 1128.12B6	SPORTSTAR- A-34-15-00-01A-941A-D	2	1
080073	0396G	Altimeter Winter	SPORTSTAR- A-34-14-00-01A-941A-D	2	1
080076	0396G	Verical speed ind. BC10-1B	SPORTSTAR- A-34-13-00-01A-941A-D	3	1
080079	0396G	Altimeter UMA	SPORTSTAR- A-34-16-00-01A-941A-D	2	1
080085	0396G	Pitot tube	SPORTSTAR- A-34-11-00-01B-941A-D	7	2
080085	0396G	Pitot tube	SPORTSTAR- A-34-11-00-01C-941A-D	10	1
080085	0396G	Pitot tube	SPORTSTAR- A-34-11-00-01D-941A-D	7	2
080085	0396G	Pitot tube	SPORTSTAR- A-34-11-00-01E-941A-D	10	1
080087	0396G	Pitot tube	SPORTSTAR- A-34-11-00-01A-941A-D	1	1
080089	0396G	Altimeter BG3A	SPORTSTAR- A-34-13-00-01A-941A-D	2	1
080105	0396G	Stall warning sensor	SPORTSTAR- A-27-32-00-01A-941A-D	10	1

Applicability: All

SPORTSTAR-A-00-00-00-00A-942A-A



Illustrated Parts Catalogue

Part Number	NCAGE	Nomenclature	DMC	Item	QNA
080120	0396G	Artificial horizon RCA 26AK-1	SPORTSTAR-A-34-20-02-01A-941A-D	10	1
080132	0396G	Turn and bank indicator BZW 4B	SPORTSTAR-A-34-20-04-01A-941A-D	10	1
080133	0396G	Turn and bank indicator RCA82	SPORTSTAR-A-34-20-05-01A-941A-D	10	1
080138	0396G	Bank indicator CHY-1	SPORTSTAR-A-34-12-00-01A-941A-D	5	1
080138	0396G	Bank indicator CHY-1	SPORTSTAR-A-34-13-00-01A-941A-D	5	1
080164	0396G	Magnetic compass SIRS	SPORTSTAR-A-34-20-01-01A-941A-D	10	1
080170	0396G	Directional gyro	SPORTSTAR-A-34-20-03-01A-941A-D	10	1
080214 (ARTEX 453-6603)	0396G	ELT ME406 unit	SPORTSTAR-A-25-60-02-01A-941A-D	6	1
080215 (ARTEX 452-3034)	0396G	ELT bracket	SPORTSTAR-A-25-60-02-01A-941A-D	7	1
080216 (ARTEX 455-7423)	0396G	ME406 installation kit	SPORTSTAR-A-25-60-02-01A-941A-D	8	1
080217 (ARTEX 455-6196)	0396G	ELT remote control panel	SPORTSTAR-A-25-60-02-01A-941A-D	9	1
080218 (ARTEX 452-6505)	0396G	Buzzer	SPORTSTAR-A-25-60-02-01A-941A-D	10	1
080219 (ARTEX 110-773)	0396G	ELT antenna	SPORTSTAR-A-25-60-02-01A-941A-D	11	1
080221	0396G	ELT AK-451 unit	SPORTSTAR-A-25-60-01-01A-941A-D	10	1
080225	0396G	AK-451 installation kit	SPORTSTAR-A-25-60-01-01A-941A-D	11	1
080285	0396G	Manifold pressure indicator	SPORTSTAR-A-77-10-01-01A-941A-D	1	1
080305 (MITCHEL D1-211-5021)	0396G	RPM indicator	SPORTSTAR-A-77-00-00-01A-941A-D	10	1
080311 (MITCHEL D1-211-5055)	0396G	Oil pressure indicator	SPORTSTAR-A-77-00-00-01A-941A-D	11	1
080316 (MITCHEL D1-211-5084)	0396G	Oil temperature indicator	SPORTSTAR-A-77-00-00-01A-941A-D	12	1
080321 (MITCHEL D1-211-5085)	0396G	Cooling liquid temperature indicator	SPORTSTAR-A-77-00-00-01A-941A-D	13	1
080325	0396G	Thermomether	SPORTSTAR-A-34-10-01-01A-941A-D	10	1
080326	0396G	Temperature sensor	SPORTSTAR-A-34-10-01-01A-941A-D	11	1
080330 (MITCHEL D1-211-5074)	0396G	Fuel quantity indicator	SPORTSTAR-A-77-00-00-01A-941A-D	14	2
080335 (MITCHEL D1-211-5086)	0396G	Voltmeter	SPORTSTAR-A-24-30-02-01A-941A-D	10	1
080347	0396G	Flight clock SC-5	SPORTSTAR-A-31-20-03-01A-941A-D	10	1
080384	0396G	Manifold pressure sensor	SPORTSTAR-A-34-10-03-01A-941A-D	18	1

Applicability: All

SPORTSTAR-A-00-00-00-00A-942A-A



Illustrated Parts Catalogue

Part Number	NCAGE	Nomenclature	DMC	Item	QNA
080386	0396G	Fuel pressure sensor	SPORTSTAR- A-34-10-03-01A-941A-D	19	1
080425	0396G	D7 display	SPORTSTAR- A-34-10-03-01A-941A-D	9	1
080426	0396G	D10 display	SPORTSTAR- A-34-10-03-01A-941A-D	10	1
080427	0396G	BAT-320 battery	SPORTSTAR- A-34-10-03-01A-941A-D	11	2
080428	0396G	ADAHRS 200 unit	SPORTSTAR- A-34-10-02-01A-941A-D	12	1
080428	0396G	ADAHRS 200 unit	SPORTSTAR- A-34-10-03-01A-941A-D	12	1
080429	0396G	ADAHRS 201 unit	SPORTSTAR- A-34-10-02-01A-941A-D	13	1
080429	0396G	ADAHRS 201 unit	SPORTSTAR- A-34-10-03-01A-941A-D	13	1
080430	0396G	EMS-220 unit	SPORTSTAR- A-34-10-03-01A-941A-D	14	1
080431	0396G	GPS-250 antenna	SPORTSTAR- A-34-10-03-01A-941A-D	15	2
080509	0396G	PWM dimmer	SPORTSTAR- A-33-10-05-01A-941A-D	11	1
080551	0396G	STP RJ45-RJ45 ca- ble	SPORTSTAR- A-34-10-03-01A-941A-D	135	1
080555	0396G	D37 cable	SPORTSTAR- A-34-10-03-01A-941A-D	130	2
080556	0396G	Cable NET-SPL	SPORTSTAR- A-34-10-02-01A-941A-D	131	1
080556	0396G	Cable NET-SPL	SPORTSTAR- A-34-10-03-01A-941A-D	131	1
080558	0396G	NET-3CC cable	SPORTSTAR- A-34-10-03-01A-941A-D	132	1
080559	0396G	NET-6CC cable	SPORTSTAR- A-34-10-03-01A-941A-D	133	1
080561	0396G	NET-15CP cable	SPORTSTAR- A-34-10-03-01A-941A-D	134	1
080601	0396G	FT-60 fuel flowmeter	SPORTSTAR- A-34-10-03-01A-941A-D	22	1
080601	0396G	FT-60 fuel flowmeter	SPORTSTAR- A-34-10-04-01A-941A-D	26	1
080601	0396G	FT-60 fuel flowmeter	SPORTSTAR- A-34-10-06-01A-941A-A	26	1
080602	0396G	Fuel cock	SPORTSTAR- A-28-00-00-01A-941A-D	30	1
080602	0396G	Fuel cock	SPORTSTAR- A-28-00-00-01B-941A-D	30	1
081686	0396G	Selector valve	SPORTSTAR- A-34-11-00-01B-941A-D	5	1
081686	0396G	Selector valve	SPORTSTAR- A-34-11-00-01D-941A-D	5	1
081817	0396G	Check valve	SPORTSTAR- A-28-00-00-01A-941A-D	39	1

Applicability: All

SPORTSTAR-A-00-00-00-00A-942A-A



Illustrated Parts Catalogue

Part Number	NCAGE	Nomenclature	DMC	Item	QNA
081817	0396G	Check valve	SPORTSTAR-A-28-00-00-01B-941A-D	39	1
082491	0396G	Shunt	SPORTSTAR-A-34-10-03-01A-941A-D	20	1
082607	0396G	Oil thermostat	SPORTSTAR-A-79-20-01-01A-941A-D	1	1
082620 (ASTROTECH AT420000)	0396G	Flight clock	SPORTSTAR-A-31-20-02-01A-941A-D	10	1
082620 (MITCHEL D1-312-5036)	0396G	Flight clock	SPORTSTAR-A-31-20-01-01A-941A-D	10	1
083917	0396G	Fire extinguisher - portable ESTO T-1H	SPORTSTAR-A-26-20-01-01A-941A-D	3	1
083917	0396G	Fire extinguisher - portable ESTO T-1H	SPORTSTAR-A-26-20-01-01B-941A-D	3	1
083920	0396G	Emergency hammer	SPORTSTAR-A-25-60-00-01A-941A-D	10	1
083960	0396G	Tube 8x1	SPORTSTAR-A-21-00-00-01A-941A-D	118	AR
083960	0396G	Tube 8x1	SPORTSTAR-A-27-20-03-01A-941A-D	10	AR
083960	0396G	Tube 8x1	SPORTSTAR-A-32-41-00-01A-941A-D	34	AR
083960	0396G	Tube 8x1	SPORTSTAR-A-71-60-00-01A-941A-D	43	AR
084241	0396G	Teflon pad	SPORTSTAR-A-25-60-04-01A-941A-D	32	0
084508	0396G	Strap	SPORTSTAR-A-57-10-01-01A-941A-D	7	AR
084934	0396G	Mat Mikra	SPORTSTAR-A-71-00-01-01A-941A-D	40	AR
084934	0396G	Mat Mikra	SPORTSTAR-A-71-00-02-01A-941A-D	40	AR
084934	0396G	Mat Mikra	SPORTSTAR-A-71-00-03-01A-941A-D	40	AR
084934	0396G	Mat Mikra	SPORTSTAR-A-71-10-00-01A-941A-D	15	AR
084934	0396G	Mat Mikra	SPORTSTAR-A-71-10-00-01B-941A-D	17	AR
084940	0396G	Fabric	SPORTSTAR-A-25-50-01-01A-941A-D	10	AR
085440 (CSN 64 7003)	0396G	Black leatherete	SPORTSTAR-A-71-10-00-01A-941A-D	16	AR
085440 (CSN 64 7003)	0396G	Black leatherete	SPORTSTAR-A-71-10-00-01B-941A-D	16	AR
085897	0396G	Rubber pad	SPORTSTAR-A-25-11-00-01A-941A-D	34	AR
085897	0396G	Rubber pad	SPORTSTAR-A-32-20-01-01A-941A-D	4	AR
085897	0396G	Rubber pad	SPORTSTAR-A-34-10-02-01A-941A-D	19	AR
085897	0396G	Rubber pad	SPORTSTAR-A-79-00-00-01A-941A-D	38	AR

Applicability: All

SPORTSTAR-A-00-00-00-00A-942A-A



Illustrated Parts Catalogue

Part Number	NCAGE	Nomenclature	DMC	Item	QNA
085897	0396G	Rubber pad	SPORTSTAR-A-79-00-00-01B-941A-D	38	AR
085897	0396G	Rubber pad	SPORTSTAR-A-79-00-00-01C-941A-D	38	AR
085902	0396G	Rubber - oil resistant	SPORTSTAR-A-26-20-01-01B-941A-D	4	AR
085902	0396G	Rubber - oil resistant	SPORTSTAR-A-57-10-02-01A-941A-D	11	AR
085904	0396G	Rubber pad	SPORTSTAR-A-25-11-00-01A-941A-D	38	AR
085907	0396G	Rubber - oil resistant	SPORTSTAR-A-57-10-02-01A-941A-D	10	AR
086020	0396G	Masking tape	SPORTSTAR-A-56-10-00-01A-941A-D	22	AR
086022	0396G	Marking tape - STAT-IC	SPORTSTAR-A-34-10-02-01A-941A-D	27	AR
086022	0396G	Marking tape - STAT-IC	SPORTSTAR-A-34-10-04-01A-941A-D	696	AR
086022	0396G	Marking tape - STAT-IC	SPORTSTAR-A-34-10-05-01A-941A-D	27	AR
086022	0396G	Marking tape - STAT-IC	SPORTSTAR-A-34-10-06-01A-941A-A	696	AR
086022	0396G	Marking tape - STAT-IC	SPORTSTAR-A-34-11-00-01A-941A-D	3	AR
086022	0396G	Marking tape - STAT-IC	SPORTSTAR-A-34-11-00-01B-941A-D	30	AR
086022	0396G	Marking tape - STAT-IC	SPORTSTAR-A-34-11-00-01D-941A-D	30	AR
086023	0396G	Marking tape - PI-TOT	SPORTSTAR-A-34-10-02-01A-941A-D	28	AR
086023	0396G	Marking tape - PI-TOT	SPORTSTAR-A-34-10-04-01A-941A-D	695	AR
086023	0396G	Marking tape - PI-TOT	SPORTSTAR-A-34-10-05-01A-941A-D	28	AR
086023	0396G	Marking tape - PI-TOT	SPORTSTAR-A-34-10-06-01A-941A-A	695	AR
086023	0396G	Marking tape - PI-TOT	SPORTSTAR-A-34-11-00-01A-941A-D	2	AR
086023	0396G	Marking tape - PI-TOT	SPORTSTAR-A-34-11-00-01B-941A-D	31	AR
086023	0396G	Marking tape - PI-TOT	SPORTSTAR-A-34-11-00-01D-941A-D	31	AR
086039	0396G	Sewing SYNTON 20	SPORTSTAR-A-25-11-07-01A-941A-D	3	AR
086134	0396G	Glass cloth	SPORTSTAR-A-71-10-00-01B-941A-D	701	AR
086381	0396G	Securing pin	SPORTSTAR-A-10-00-01-01A-941A-D	31	3
086381	0396G	Securing pin	SPORTSTAR-A-57-10-01-01A-941A-D	5	6
086598	0396G	Velcro strap - hooks	SPORTSTAR-A-25-11-04-01A-941A-D	6	AR

Applicability: All

SPORTSTAR-A-00-00-00-00A-942A-A

Illustrated Parts Catalogue

Part Number	NCAGE	Nomenclature	DMC	Item	QNA
086599	0396G	Velcro strap - loops	SPORTSTAR-A-25-11-03-01A-941A-D	3	AR
086599	0396G	Velcro strap - loops	SPORTSTAR-A-25-60-00-01A-941A-D	35	AR
086603	0396G	Velcro strap - hooks	SPORTSTAR-A-25-11-03-01A-941A-D	5	AR
086603	0396G	Velcro strap - hooks	SPORTSTAR-A-25-11-07-01A-941A-D	2	AR
086603	0396G	Velcro strap - hooks	SPORTSTAR-A-27-32-00-01A-941A-D	28	AR
086603	0396G	Velcro strap - hooks	SPORTSTAR-A-53-50-01-01A-941A-D	10	2
086604	0396G	Velcro strap - loops	SPORTSTAR-A-25-11-03-01A-941A-D	4	AR
086604	0396G	Velcro strap - loops	SPORTSTAR-A-25-11-07-01A-941A-D	4	AR
086604	0396G	Velcro strap - loops	SPORTSTAR-A-27-32-00-01A-941A-D	27	0
086851	0396G	Rubber strap	SPORTSTAR-A-25-11-04-01A-941A-D	7	AR
086866	0396G	Rubber strap	SPORTSTAR-A-32-41-00-01A-941A-D	19	0
086920	0396G	Adhesive tape	SPORTSTAR-A-31-50-02-01A-941A-D	48	AR
086936	0396G	Adhesive tape	SPORTSTAR-A-31-50-01-01A-941A-D	501	AR
086938	0396G	Tape	SPORTSTAR-A-52-10-02-01A-941A-D	3	AR
086938	0396G	Tape	SPORTSTAR-A-52-10-02-01B-941A-D	3	AR
086956	0396G	Self fusing wrap	SPORTSTAR-A-24-30-00-01A-941A-D	501	AR
086956	0396G	Self fusing wrap	SPORTSTAR-A-24-30-01-01A-941A-D	501	AR
086956	0396G	Self fusing wrap	SPORTSTAR-A-24-31-00-01A-941A-D	501	AR
086956	0396G	Self fusing wrap	SPORTSTAR-A-24-31-00-01B-941A-D	501	AR
086956	0396G	Self fusing wrap	SPORTSTAR-A-24-31-00-01C-941A-D	501	AR
086956	0396G	Self fusing wrap	SPORTSTAR-A-33-10-02-01A-941A-D	699	AR
086956	0396G	Self fusing wrap	SPORTSTAR-A-33-10-05-01A-941A-D	699	AR
086956	0396G	Self fusing wrap	SPORTSTAR-A-34-10-03-01A-941A-D	699	AR
086956	0396G	Self fusing wrap	SPORTSTAR-A-34-10-04-01A-941A-D	699	AR
086956	0396G	Self fusing wrap	SPORTSTAR-A-34-10-06-01A-941A-A	699	AR
087092	0396G	Adhesive tape	SPORTSTAR-A-56-10-00-01A-941A-D	21	AR

Applicability: All

SPORTSTAR-A-00-00-00-00A-942A-A



Illustrated Parts Catalogue

Part Number	NCAGE	Nomenclature	DMC	Item	QNA
087102 (KOGER 47201)	0396G	Koger sunshade	SPORTSTAR-A-52-10-05-01A-941A-D	1	1
087788	0396G	Net in the baggage compartment	SPORTSTAR-A-25-50-02-01A-941A-D	4	1
087935	0396G	Eyelets	SPORTSTAR-A-25-50-02-01A-941A-D	8	4
087936	0396G	Hook	SPORTSTAR-A-25-50-02-01A-941A-D	5	2
088022	0396G	Tube 3.5	SPORTSTAR-A-27-32-00-01A-941A-D	26	AR
088086	0396G	Shrink tube RNF-3000	SPORTSTAR-A-24-30-00-01A-941A-D	57	AR
088086	0396G	Shrink tube RNF-3000	SPORTSTAR-A-24-30-01-01A-941A-D	16	AR
088086	0396G	Shrink tube RNF-3000	SPORTSTAR-A-24-30-02-01A-941A-D	18	AR
088086	0396G	Shrink tube RNF-3000	SPORTSTAR-A-24-31-00-01A-941A-D	55	AR
088086	0396G	Shrink tube RNF-3000	SPORTSTAR-A-24-31-00-01B-941A-D	55	AR
088086	0396G	Shrink tube RNF-3000	SPORTSTAR-A-24-31-00-01C-941A-D	55	AR
088086	0396G	Shrink tube RNF-3000	SPORTSTAR-A-24-40-00-01A-941A-D	35	AR
088086	0396G	Shrink tube RNF-3000	SPORTSTAR-A-25-60-02-01A-941A-D	29	AR
088086	0396G	Shrink tube RNF-3000	SPORTSTAR-A-25-60-03-01A-941A-D	29	AR
088086	0396G	Shrink tube RNF-3000	SPORTSTAR-A-27-31-00-01A-941A-D	72	AR
088086	0396G	Shrink tube RNF-3000	SPORTSTAR-A-27-32-00-01A-941A-D	24	AR
088086	0396G	Shrink tube RNF-3000	SPORTSTAR-A-28-00-00-01A-941A-D	53	AR
088086	0396G	Shrink tube RNF-3000	SPORTSTAR-A-28-00-00-01B-941A-D	53	AR
088086	0396G	Shrink tube RNF-3000	SPORTSTAR-A-31-20-01-01A-941A-D	21	AR
088086	0396G	Shrink tube RNF-3000	SPORTSTAR-A-31-20-02-01A-941A-D	21	AR
088086	0396G	Shrink tube RNF-3000	SPORTSTAR-A-31-20-03-01A-941A-D	21	AR
088086	0396G	Shrink tube RNF-3000	SPORTSTAR-A-31-50-01-01A-941A-D	21	AR
088086	0396G	Shrink tube RNF-3000	SPORTSTAR-A-31-50-02-01A-941A-D	21	AR
088086	0396G	Shrink tube RNF-3000	SPORTSTAR-A-31-50-03-01A-941A-D	21	AR
088086	0396G	Shrink tube RNF-3000	SPORTSTAR-A-33-10-01-01A-941A-D	25	AR
088086	0396G	Shrink tube RNF-3000	SPORTSTAR-A-33-10-01-01B-941A-D	25	AR

Applicability: All

SPORTSTAR-A-00-00-00-00A-942A-A



Illustrated Parts Catalogue

Part Number	NCAGE	Nomenclature	DMC	Item	QNA
088086	0396G	Shrink tube RNF-3000	SPORTSTAR- A-33-10-01-01C-941A-D	25	AR
088086	0396G	Shrink tube RNF-3000	SPORTSTAR- A-33-10-02-01A-941A-D	28	AR
088086	0396G	Shrink tube RNF-3000	SPORTSTAR- A-33-10-03-01A-941A-D	21	AR
088086	0396G	Shrink tube RNF-3000	SPORTSTAR- A-33-10-05-01A-941A-D	28	AR
088086	0396G	Shrink tube RNF-3000	SPORTSTAR- A-33-40-01-01A-941A-D	40	AR
088086	0396G	Shrink tube RNF-3000	SPORTSTAR- A-33-40-01-01B-941A-D	40	AR
088086	0396G	Shrink tube RNF-3000	SPORTSTAR- A-33-40-01-01C-941A-D	40	AR
088086	0396G	Shrink tube RNF-3000	SPORTSTAR- A-33-40-01-01D-941A-D	40	AR
088086	0396G	Shrink tube RNF-3000	SPORTSTAR- A-33-40-03-01A-941A-D	31	AR
088086	0396G	Shrink tube RNF-3000	SPORTSTAR- A-33-40-03-01B-941A-D	31	AR
088086	0396G	Shrink tube RNF-3000	SPORTSTAR- A-34-10-01-01A-941A-D	18	AR
088086	0396G	Shrink tube RNF-3000	SPORTSTAR- A-34-10-03-01A-941A-D	90	AR
088086	0396G	Shrink tube RNF-3000	SPORTSTAR- A-34-10-04-01A-941A-D	80	AR
088086	0396G	Shrink tube RNF-3000	SPORTSTAR- A-34-10-06-01A-941A-A	80	AR
088086	0396G	Shrink tube RNF-3000	SPORTSTAR- A-34-11-00-01B-941A-D	62	AR
088086	0396G	Shrink tube RNF-3000	SPORTSTAR- A-34-11-00-01C-941A-D	29	AR
088086	0396G	Shrink tube RNF-3000	SPORTSTAR- A-34-11-00-01D-941A-D	62	AR
088086	0396G	Shrink tube RNF-3000	SPORTSTAR- A-34-11-00-01E-941A-D	29	AR
088086	0396G	Shrink tube RNF-3000	SPORTSTAR- A-34-20-02-01A-941A-D	21	AR
088086	0396G	Shrink tube RNF-3000	SPORTSTAR- A-34-20-03-01A-941A-D	21	AR
088086	0396G	Shrink tube RNF-3000	SPORTSTAR- A-34-20-04-01A-941A-D	24	AR
088086	0396G	Shrink tube RNF-3000	SPORTSTAR- A-34-20-05-01A-941A-D	21	AR
088086	0396G	Shrink tube RNF-3000	SPORTSTAR- A-61-10-02-01A-941A-D	17	AR
088086	0396G	Shrink tube RNF-3000	SPORTSTAR- A-77-00-00-01A-941A-D	38	AR
088087	0396G	Shrink tube RNF-3000	SPORTSTAR- A-24-30-00-01A-941A-D	55	AR
088087	0396G	Shrink tube RNF-3000	SPORTSTAR- A-24-30-01-01A-941A-D	15	AR

Applicability: All

SPORTSTAR-A-00-00-00-00A-942A-A



Illustrated Parts Catalogue

Part Number	NCAGE	Nomenclature	DMC	Item	QNA
088087	0396G	Shrink tube RNF-3000	SPORTSTAR- A-24-30-02-01A-941A-D	19	AR
088087	0396G	Shrink tube RNF-3000	SPORTSTAR- A-24-31-00-01A-941A-D	56	AR
088087	0396G	Shrink tube RNF-3000	SPORTSTAR- A-24-31-00-01B-941A-D	56	AR
088087	0396G	Shrink tube RNF-3000	SPORTSTAR- A-24-31-00-01C-941A-D	56	AR
088087	0396G	Shrink tube RNF-3000	SPORTSTAR- A-24-40-00-01A-941A-D	36	AR
088087	0396G	Shrink tube RNF-3000	SPORTSTAR- A-24-60-01-01A-941A-D	14	AR
088087	0396G	Shrink tube RNF-3000	SPORTSTAR- A-24-60-02-01A-941A-D	24	AR
088087	0396G	Shrink tube RNF-3000	SPORTSTAR- A-24-60-02-01B-941A-D	24	AR
088087	0396G	Shrink tube RNF-3000	SPORTSTAR- A-24-70-01-01A-941A-D	15	AR
088087	0396G	Shrink tube RNF-3000	SPORTSTAR- A-25-60-02-01A-941A-D	30	AR
088087	0396G	Shrink tube RNF-3000	SPORTSTAR- A-25-60-03-01A-941A-D	30	AR
088087	0396G	Shrink tube RNF-3000	SPORTSTAR- A-27-31-00-01A-941A-D	73	AR
088087	0396G	Shrink tube RNF-3000	SPORTSTAR- A-27-32-00-01A-941A-D	25	AR
088087	0396G	Shrink tube RNF-3000	SPORTSTAR- A-28-00-00-01A-941A-D	54	AR
088087	0396G	Shrink tube RNF-3000	SPORTSTAR- A-28-00-00-01B-941A-D	54	AR
088087	0396G	Shrink tube RNF-3000	SPORTSTAR- A-31-20-01-01A-941A-D	22	AR
088087	0396G	Shrink tube RNF-3000	SPORTSTAR- A-31-20-02-01A-941A-D	22	AR
088087	0396G	Shrink tube RNF-3000	SPORTSTAR- A-31-20-03-01A-941A-D	22	AR
088087	0396G	Shrink tube RNF-3000	SPORTSTAR- A-31-50-01-01A-941A-D	22	AR
088087	0396G	Shrink tube RNF-3000	SPORTSTAR- A-31-50-02-01A-941A-D	22	AR
088087	0396G	Shrink tube RNF-3000	SPORTSTAR- A-31-50-03-01A-941A-D	22	AR
088087	0396G	Shrink tube RNF-3000	SPORTSTAR- A-33-10-01-01A-941A-D	26	AR
088087	0396G	Shrink tube RNF-3000	SPORTSTAR- A-33-10-01-01B-941A-D	26	AR
088087	0396G	Shrink tube RNF-3000	SPORTSTAR- A-33-10-01-01C-941A-D	26	AR
088087	0396G	Shrink tube RNF-3000	SPORTSTAR- A-33-10-02-01A-941A-D	29	AR
088087	0396G	Shrink tube RNF-3000	SPORTSTAR- A-33-10-05-01A-941A-D	29	AR

Applicability: All

SPORTSTAR-A-00-00-00-00A-942A-A

Illustrated Parts Catalogue

Part Number	NCAGE	Nomenclature	DMC	Item	QNA
088087	0396G	Shrink tube RNF-3000	SPORTSTAR- A-33-40-01-01A-941A-D	41	AR
088087	0396G	Shrink tube RNF-3000	SPORTSTAR- A-33-40-01-01B-941A-D	41	AR
088087	0396G	Shrink tube RNF-3000	SPORTSTAR- A-33-40-01-01C-941A-D	41	AR
088087	0396G	Shrink tube RNF-3000	SPORTSTAR- A-33-40-01-01D-941A-D	41	AR
088087	0396G	Shrink tube RNF-3000	SPORTSTAR- A-33-40-02-01A-941A-D	35	AR
088087	0396G	Shrink tube RNF-3000	SPORTSTAR- A-33-40-03-01A-941A-D	32	AR
088087	0396G	Shrink tube RNF-3000	SPORTSTAR- A-33-40-03-01B-941A-D	32	AR
088087	0396G	Shrink tube RNF-3000	SPORTSTAR- A-34-10-01-01A-941A-D	19	AR
088087	0396G	Shrink tube RNF-3000	SPORTSTAR- A-34-10-03-01A-941A-D	91	AR
088087	0396G	Shrink tube RNF-3000	SPORTSTAR- A-34-10-04-01A-941A-D	81	AR
088087	0396G	Shrink tube RNF-3000	SPORTSTAR- A-34-10-06-01A-941A-A	81	AR
088087	0396G	Shrink tube RNF-3000	SPORTSTAR- A-34-11-00-01B-941A-D	63	AR
088087	0396G	Shrink tube RNF-3000	SPORTSTAR- A-34-11-00-01C-941A-D	30	AR
088087	0396G	Shrink tube RNF-3000	SPORTSTAR- A-34-11-00-01D-941A-D	63	AR
088087	0396G	Shrink tube RNF-3000	SPORTSTAR- A-34-11-00-01E-941A-D	30	AR
088087	0396G	Shrink tube RNF-3000	SPORTSTAR- A-34-20-02-01A-941A-D	22	AR
088087	0396G	Shrink tube RNF-3000	SPORTSTAR- A-34-20-03-01A-941A-D	22	AR
088087	0396G	Shrink tube RNF-3000	SPORTSTAR- A-34-20-04-01A-941A-D	25	AR
088087	0396G	Shrink tube RNF-3000	SPORTSTAR- A-34-20-05-01A-941A-D	22	AR
088087	0396G	Shrink tube RNF-3000	SPORTSTAR- A-77-00-00-01A-941A-D	39	AR
088088	0396G	Shrink tube RNF-3000	SPORTSTAR- A-24-30-00-01A-941A-D	56	AR
088088	0396G	Shrink tube RNF-3000	SPORTSTAR- A-24-31-00-01A-941A-D	57	AR
088088	0396G	Shrink tube RNF-3000	SPORTSTAR- A-24-31-00-01B-941A-D	57	AR
088088	0396G	Shrink tube RNF-3000	SPORTSTAR- A-24-31-00-01C-941A-D	57	AR
088088	0396G	Shrink tube RNF-3000	SPORTSTAR- A-24-40-00-01A-941A-D	37	AR
088088	0396G	Shrink tube RNF-3000	SPORTSTAR- A-24-70-01-01A-941A-D	16	AR

Applicability: All

SPORTSTAR-A-00-00-00-00A-942A-A



Illustrated Parts Catalogue

Part Number	NCAGE	Nomenclature	DMC	Item	QNA
088088	0396G	Shrink tube RNF-3000	SPORTSTAR- A-25-60-04-01A-941A-D	90	AR
088088	0396G	Shrink tube RNF-3000	SPORTSTAR- A-27-20-03-01A-941A-D	14	AR
088088	0396G	Shrink tube RNF-3000	SPORTSTAR- A-33-40-02-01A-941A-D	36	AR
088089	0396G	Shrink tube RNF-3000	SPORTSTAR- A-34-10-03-01A-941A-D	92	AR
088089	0396G	Shrink tube RNF-3000	SPORTSTAR- A-34-10-04-01A-941A-D	82	AR
088089	0396G	Shrink tube RNF-3000	SPORTSTAR- A-34-10-06-01A-941A-A	82	AR
088090	0396G	Shrink tube RNF-3000	SPORTSTAR- A-24-40-00-01A-941A-D	38	AR
088091	0396G	Shrink tube RNF-3000	SPORTSTAR- A-25-60-04-01A-941A-D	80	AR
088091	0396G	Shrink tube RNF-3000	SPORTSTAR- A-34-10-03-01A-941A-D	93	AR
088466	0396G	Bag for aircraft docu- ments	SPORTSTAR- A-10-00-01-01A-941A-D	44	1
089112	0396G	Tin tube	SPORTSTAR- A-24-40-00-01A-941A-D	698	AR
089112	0396G	Tin tube	SPORTSTAR- A-27-20-04-01B-941A-D	30	AR
089112	0396G	Tin tube	SPORTSTAR- A-33-10-02-01A-941A-D	698	AR
089112	0396G	Tin tube	SPORTSTAR- A-33-10-05-01A-941A-D	698	AR
089958	0396G	Matco wheel with brake left	SPORTSTAR- A-32-10-00-01B-941A-D	22	1
089958	0396G	Matco wheel with brake left	SPORTSTAR- A-32-40-04-01A-941A-D	0	1
089959	0396G	Matco wheel with brake right	SPORTSTAR- A-32-10-00-01B-941A-D	23	1
089961	0396G	Wheel axle	SPORTSTAR- A-32-10-00-01B-941A-D	24	2
089962	0396G	Brake pump - Matco	SPORTSTAR- A-32-41-00-01B-941A-D	21	4
089962	0396G	Brake pump - Matco	SPORTSTAR- A-32-41-05-01A-941A-D	0	4
089964	0396G	Brake fluid bottle	SPORTSTAR- A-32-41-00-01B-941A-D	20	1
089965	0396G	Elbow pipe	SPORTSTAR- A-32-41-00-01B-941A-D	33	12
089967	0396G	Connection, straight	SPORTSTAR- A-32-41-00-01B-941A-D	30	1
089968	0396G	Connection, angular	SPORTSTAR- A-32-41-00-01B-941A-D	31	5
089971	0396G	Brake hose, nylon	SPORTSTAR- A-32-41-00-01B-941A-D	37	AR
089972	0396G	Brake hose, nylon	SPORTSTAR- A-32-41-00-01B-941A-D	38	AR

Applicability: All

SPORTSTAR-A-00-00-00-00A-942A-A

Illustrated Parts Catalogue

Part Number	NCAGE	Nomenclature	DMC	Item	QNA
089973	0396G	Matco parking brake valve	SPORTSTAR-A-32-41-00-01B-941A-D	350	1
089978	0396G	Brake fluid bottle	SPORTSTAR-A-32-41-00-01A-941A-D	13	1
089980	0396G	Threaded Plug	SPORTSTAR-A-32-41-05-01A-941A-D	1	2
089981	0396G	MC-4 Housing	SPORTSTAR-A-32-41-05-01A-941A-D	2	3
089982	0396G	Snap Ring MC-4	SPORTSTAR-A-32-41-05-01A-941A-D	4	1
089983	0396G	Piston	SPORTSTAR-A-32-41-05-01A-941A-D	5	1
089984	0396G	Shaft, MC-4GH	SPORTSTAR-A-32-41-05-01A-941A-D	6	1
089985	0396G	O-Ring Buna-N	SPORTSTAR-A-32-41-05-01A-941A-D	7	1
089986	0396G	O-Ring Buna-N	SPORTSTAR-A-32-41-05-01A-941A-D	8	1
089987	0396G	Spring	SPORTSTAR-A-32-41-05-01A-941A-D	9	1
089988	0396G	Spring Guide	SPORTSTAR-A-32-41-05-01A-941A-D	10	1
089989	0396G	Valve Spring	SPORTSTAR-A-32-41-05-01A-941A-D	11	1
089990	0396G	Stato Seal	SPORTSTAR-A-32-41-05-01A-941A-D	12	1
089991	0396G	End Gland	SPORTSTAR-A-32-41-05-01A-941A-D	13	1
089992	0396G	O-Ring Buna-N	SPORTSTAR-A-32-41-05-01A-941A-D	14	1
089993	0396G	Jamnut	SPORTSTAR-A-32-41-05-01A-941A-D	15	1
090101 (ROTAX 956-501)	0396G	Oil tank	SPORTSTAR-A-79-00-00-01A-941A-D	52	1
090101 (ROTAX 956-501)	0396G	Oil tank	SPORTSTAR-A-79-00-00-01B-941A-D	52	1
090101 (ROTAX 956-501)	0396G	Oil tank	SPORTSTAR-A-79-00-00-01C-941A-D	52	1
090103 (ROTAX 853-725)	0396G	Hose clamp	SPORTSTAR-A-79-00-00-01A-941A-D	50	6
090103 (ROTAX 853-725)	0396G	Hose clamp	SPORTSTAR-A-79-00-00-01B-941A-D	50	6
090103 (ROTAX 853-725)	0396G	Hose clamp	SPORTSTAR-A-79-00-00-01C-941A-D	50	6
090106 (ROTAX 242-871)	0396G	Nut M22x1.5	SPORTSTAR-A-79-00-00-01A-941A-D	55	2
090106 (ROTAX 242-871)	0396G	Nut M22x1.5	SPORTSTAR-A-79-00-00-01B-941A-D	55	2
090106 (ROTAX 242-871)	0396G	Nut M22x1.5	SPORTSTAR-A-79-00-00-01C-941A-D	55	2
090162 (ROTAX 956-580)	0396G	Screw fitting	SPORTSTAR-A-79-00-00-01A-941A-D	51	4

Applicability: All

SPORTSTAR-A-00-00-00-00A-942A-A

Part Number	NCAGE	Nomenclature	DMC	Item	QNA
090162 (ROTAX 956-580)	0396G	Screw fitting	SPORTSTAR-A-79-00-00-01B-941A-D	51	4
090162 (ROTAX 956-580)	0396G	Screw fitting	SPORTSTAR-A-79-00-00-01C-941A-D	51	4
090180	0396G	Bolt, Hex Head	SPORTSTAR-A-32-40-04-01A-941A-D	1	2
090181	0396G	Rivet	SPORTSTAR-A-32-40-04-01A-941A-D	2	3
090182	0396G	Washer	SPORTSTAR-A-32-40-04-01A-941A-D	3	2
090183	0396G	Washer	SPORTSTAR-A-32-40-04-01A-941A-D	3A	3
090184	0396G	Stationary Brake Shoe	SPORTSTAR-A-32-40-04-01A-941A-D	4	1
090185	0396G	Lining	SPORTSTAR-A-32-40-04-01A-941A-D	5	2
090186	0396G	Brass Rivet	SPORTSTAR-A-32-40-04-01A-941A-D	6	3
090187	0396G	Brake Plate E1.38	SPORTSTAR-A-32-40-04-01A-941A-D	7	1
090188	0396G	Spacer	SPORTSTAR-A-32-40-04-01A-941A-D	8	1
090189	0396G	Movable Brake Shoe	SPORTSTAR-A-32-40-04-01A-941A-D	9	1
090190	0396G	Piston	SPORTSTAR-A-32-40-04-01A-941A-D	10	1
090191	0396G	O-Ring Buna-N	SPORTSTAR-A-32-40-04-01A-941A-D	11	1
090192	0396G	Caliper Housing	SPORTSTAR-A-32-40-04-01A-941A-D	12	1
090193	0396G	Bolt, SHCS	SPORTSTAR-A-32-40-04-01A-941A-D	14	2
090194	0396G	Caplug	SPORTSTAR-A-32-40-04-01A-941A-D	15	1
090195	0396G	Lock Nut	SPORTSTAR-A-32-40-04-01A-941A-D	16	2
090196	0396G	Brake Bleeder Seat	SPORTSTAR-A-32-40-04-01A-941A-D	17	1
090197	0396G	Brake Bleeder Valve	SPORTSTAR-A-32-40-04-01A-941A-D	18	1
090198	0396G	Dust Plug	SPORTSTAR-A-32-40-04-01A-941A-D	19	1
090199	0396G	Bolt, SHCS	SPORTSTAR-A-32-40-04-01A-941A-D	20	3
090200	0396G	Washer	SPORTSTAR-A-32-40-04-01A-941A-D	21	9
090201	0396G	Bolt, SHCS	SPORTSTAR-A-32-40-04-01A-941A-D	22	3
090202	0396G	Bearing Race, 1.25	SPORTSTAR-A-32-40-04-01A-941A-D	23	2
090203	0396G	Hub, for 1.25 Bearing	SPORTSTAR-A-32-40-04-01A-941A-D	24	1

Applicability: All

SPORTSTAR-A-00-00-00-00A-942A-A



Illustrated Parts Catalogue

Part Number	NCAGE	Nomenclature	DMC	Item	QNA
090204	0396G	Wheel, Back Half	SPORTSTAR-A-32-40-04-01A-941A-D	25	1
090205	0396G	Brake Disc, 5" E Series	SPORTSTAR-A-32-40-04-01A-941A-D	26	1
090206	0396G	O-Ring Buna-N (Optional)	SPORTSTAR-A-32-40-04-01A-941A-D	27	1
090207	0396G	Wheel, Valve Half	SPORTSTAR-A-32-40-04-01A-941A-D	28	1
090208	0396G	Lock Nut	SPORTSTAR-A-32-40-04-01A-941A-D	29	6
090209	0396G	Valve Stem (Optional)	SPORTSTAR-A-32-40-04-01A-941A-D	30	1
090210	0396G	Roller Bearing 1.25	SPORTSTAR-A-32-40-04-01A-941A-D	31	2
090211	0396G	Spacer	SPORTSTAR-A-32-40-04-01A-941A-D	32	2
090212	0396G	Bolt, BHCS	SPORTSTAR-A-32-40-04-01A-941A-D	33	3
095105	0396G	Zapon varnish for metal	SPORTSTAR-A-24-70-03-01A-941A-D	810	AR
095180	0396G	Email nitro Celox - red	SPORTSTAR-A-24-70-03-01A-941A-D	800	AR
096012	0396G	Adhesive Pattex Chemopren Extrem	SPORTSTAR-A-27-32-00-01A-941A-D	699	AR
096024	0396G	Resin L285	SPORTSTAR-A-71-10-00-01B-941A-D	702	AR
096052	0396G	Hardener L285	SPORTSTAR-A-71-10-00-01B-941A-D	703	AR
096215	0396G	Adhesive Loctite 648	SPORTSTAR-A-27-10-04-01A-941A-D	5	AR
096215	0396G	Adhesive Loctite 648	SPORTSTAR-A-27-20-01-01A-941A-D	20	AR
096215	0396G	Adhesive Loctite 648	SPORTSTAR-A-27-20-01-01B-941A-D	20	AR
096215	0396G	Adhesive Loctite 648	SPORTSTAR-A-27-20-04-01B-941A-D	29	AR
096215	0396G	Adhesive Loctite 648	SPORTSTAR-A-27-30-03-01A-941A-D	6	AR
096215	0396G	Adhesive Loctite 648	SPORTSTAR-A-27-50-03-01A-941A-D	701	AR
096215	0396G	Adhesive Loctite 648	SPORTSTAR-A-32-41-00-01A-941A-D	500	AR
096215	0396G	Adhesive Loctite 648	SPORTSTAR-A-32-41-00-01B-941A-D	699	AR
096215	0396G	Adhesive Loctite 648	SPORTSTAR-A-71-60-00-01A-941A-D	500	AR
096220	0396G	Adhesive Loctite 243	SPORTSTAR-A-23-60-00-01A-941A-D	100	AR
096220	0396G	Adhesive Loctite 243	SPORTSTAR-A-28-00-00-01B-941A-D	705	AR
096220	0396G	Adhesive Loctite 243	SPORTSTAR-A-32-10-00-01B-941A-D	699	AR

Applicability: All

SPORTSTAR-A-00-00-00-00A-942A-A



Illustrated Parts Catalogue

Part Number	NCAGE	Nomenclature	DMC	Item	QNA
096220	0396G	Adhesive Loctite 243	SPORTSTAR-A-32-41-06-01A-941A-D	900	AR
096220	0396G	Adhesive Loctite 243	SPORTSTAR-A-34-11-00-01A-941A-D	699	AR
096220	0396G	Adhesive Loctite 243	SPORTSTAR-A-34-11-00-01B-941A-D	699	AR
096220	0396G	Adhesive Loctite 243	SPORTSTAR-A-34-11-00-01D-941A-D	699	AR
096220	0396G	Adhesive Loctite 243	SPORTSTAR-A-52-10-01-01A-941A-D	702	AR
096221	0396G	Sealant Emfimastic PU 50 - grey	SPORTSTAR-A-24-40-00-01A-941A-D	699	AR
096221	0396G	Sealant Emfimastic PU 50 - grey	SPORTSTAR-A-25-11-01-01A-941A-D	700	AR
096221	0396G	Sealant Emfimastic PU 50 - grey	SPORTSTAR-A-27-31-00-01A-941A-D	21	AR
096221	0396G	Sealant Emfimastic PU 50 - grey	SPORTSTAR-A-52-10-01-01A-941A-D	701	AR
096227	0396G	Sealant Sabatack 750 black	SPORTSTAR-A-21-00-00-01A-941A-D	710	AR
096227	0396G	Sealant Sabatack 750 black	SPORTSTAR-A-25-11-02-01A-941A-D	100	AR
096227	0396G	Sealant Sabatack 750 black	SPORTSTAR-A-28-00-00-01A-941A-D	701	AR
096227	0396G	Sealant Sabatack 750 black	SPORTSTAR-A-28-00-00-01B-941A-D	701	AR
096227	0396G	Sealant Sabatack 750 black	SPORTSTAR-A-32-41-00-01A-941A-D	501	AR
096227	0396G	Sealant Sabatack 750 black	SPORTSTAR-A-32-41-00-01B-941A-D	698	AR
096227	0396G	Sealant Sabatack 750 black	SPORTSTAR-A-33-10-01-01A-941A-D	699	AR
096227	0396G	Sealant Sabatack 750 black	SPORTSTAR-A-33-10-01-01B-941A-D	699	AR
096227	0396G	Sealant Sabatack 750 black	SPORTSTAR-A-33-10-01-01C-941A-D	699	AR
096227	0396G	Sealant Sabatack 750 black	SPORTSTAR-A-56-10-00-01A-941A-D	20	AR
096243	0396G	Adhesive Loctite 406	SPORTSTAR-A-32-41-00-01A-941A-D	503	AR
096243	0396G	Adhesive Loctite 406	SPORTSTAR-A-75-00-00-01A-941A-D	701	AR
096249	D8908	Adhesive Loctite 577	SPORTSTAR-A-28-00-00-01A-941A-D	702	AR
096249	D8908	Adhesive Loctite 577	SPORTSTAR-A-28-00-00-01B-941A-D	702	AR
096249	D8908	Adhesive Loctite 577	SPORTSTAR-A-32-41-00-01B-941A-D	697	AR
096249	D8908	Adhesive Loctite 577	SPORTSTAR-A-34-10-03-01A-941A-D	698	AR
096249	D8908	Adhesive Loctite 577	SPORTSTAR-A-34-10-04-01A-941A-D	698	AR

Applicability: All

SPORTSTAR-A-00-00-00-00A-942A-A



Illustrated Parts Catalogue

Part Number	NCAGE	Nomenclature	DMC	Item	QNA
096249	D8908	Adhesive Loctite 577	SPORTSTAR-A-34-10-06-01A-941A-A	698	AR
096249	D8908	Adhesive Loctite 577	SPORTSTAR-A-76-10-01-01A-941A-D	700	AR
096249	D8908	Adhesive Loctite 577	SPORTSTAR-A-79-00-00-01A-941A-D	702	AR
096249	D8908	Adhesive Loctite 577	SPORTSTAR-A-79-00-00-01B-941A-D	702	AR
096249	D8908	Adhesive Loctite 577	SPORTSTAR-A-79-00-00-01C-941A-D	702	AR
096249	D8908	Adhesive Loctite 577	SPORTSTAR-A-79-20-01-01A-941A-D	800	AR
096255	0396G	Sealant Emfimastic PU 50 - black	SPORTSTAR-A-39-10-03-01A-941A-D	900	AR
096257	0396G	Sealant Emfimastic PU 50 white	SPORTSTAR-A-32-41-00-01A-941A-D	502	AR
096257	0396G	Sealant Emfimastic PU 50 white	SPORTSTAR-A-32-41-00-01B-941A-D	700	AR
096270	D8908	Activator Loctite 7471	SPORTSTAR-A-27-10-04-01A-941A-D	6	AR
096270	D8908	Activator Loctite 7471	SPORTSTAR-A-28-00-00-01A-941A-D	703	AR
096270	D8908	Activator Loctite 7471	SPORTSTAR-A-28-00-00-01B-941A-D	703	AR
096270	D8908	Activator Loctite 7471	SPORTSTAR-A-32-10-00-01B-941A-D	698	AR
096270	D8908	Activator Loctite 7471	SPORTSTAR-A-34-10-03-01A-941A-D	697	AR
096270	D8908	Activator Loctite 7471	SPORTSTAR-A-34-10-04-01A-941A-D	697	AR
096270	D8908	Activator Loctite 7471	SPORTSTAR-A-34-10-06-01A-941A-A	697	AR
096270	D8908	Activator Loctite 7471	SPORTSTAR-A-71-60-00-01A-941A-D	501	AR
096270	D8908	Activator Loctite 7471	SPORTSTAR-A-79-00-00-01A-941A-D	703	AR
096270	D8908	Activator Loctite 7471	SPORTSTAR-A-79-00-00-01B-941A-D	703	AR
096270	D8908	Activator Loctite 7471	SPORTSTAR-A-79-00-00-01C-941A-D	703	AR
096271	0396G	Activator Loctite 7649	SPORTSTAR-A-76-10-01-01A-941A-D	710	AR
096278	0396G	Silicone sealant Dow Corning 799	SPORTSTAR-A-27-31-00-01A-941A-D	20	AR
096282	0396G	Adhesive Cyberbond CB 2077	SPORTSTAR-A-52-10-02-01A-941A-D	100	AR
096282	0396G	Adhesive Cyberbond CB 2077	SPORTSTAR-A-52-10-02-01B-941A-D	100	AR
096283	0396G	Activator Cyberbond CB 9056	SPORTSTAR-A-52-10-02-01A-941A-D	101	AR
096283	0396G	Activator Cyberbond CB 9056	SPORTSTAR-A-52-10-02-01B-941A-D	101	AR

Applicability: All

SPORTSTAR-A-00-00-00-00A-942A-A

Part Number	NCAGE	Nomenclature	DMC	Item	QNA
096284	0396G	Cleaner Cyberbond CB 9999	SPORTSTAR- A-52-10-02-01A-941A-D	103	AR
096284	0396G	Cleaner Cyberbond CB 9999	SPORTSTAR- A-52-10-02-01B-941A-D	103	AR
096285	0396G	Dosing tip Cyber- bond DTs	SPORTSTAR- A-52-10-02-01A-941A-D	102	1
096285	0396G	Dosing tip Cyber- bond DTs	SPORTSTAR- A-52-10-02-01B-941A-D	102	1
097311	0396G	Vaseline Lukosan M14	SPORTSTAR- A-24-30-00-01A-941A-D	502	AR
097311	0396G	Vaseline Lukosan M14	SPORTSTAR- A-24-31-00-01A-941A-D	502	AR
097311	0396G	Vaseline Lukosan M14	SPORTSTAR- A-24-31-00-01B-941A-D	502	AR
097311	0396G	Vaseline Lukosan M14	SPORTSTAR- A-24-31-00-01C-941A-D	502	AR
097399	KA832	Hydraulic Fluid Aero- Shell Fluid 41	SPORTSTAR- A-32-41-00-01B-941A-D	100	AR
097590	0396G	Lamella lock FAB 1370/1	SPORTSTAR- A-52-10-00-01A-941A-D	21	1
11839 (ISO 4762)	0396G	Bolt M6x60	SPORTSTAR- A-32-10-00-01B-941A-D	20	2
118830	0396G	Hinge wire	SPORTSTAR- A-55-00-00-01A-941A-D	5	AR
118830	0396G	Hinge wire	SPORTSTAR- A-57-50-00-01A-941A-D	3	AR
118830	0396G	Hinge wire	SPORTSTAR- A-57-60-00-01A-941A-D	3	AR
118898	0396G		SPORTSTAR- A-34-10-06-01A-941A-A	41	AR
118898 (ASTM A580 COND A)	0396G	Lockwire dia. 0.81 mm (0.032 in)	SPORTSTAR- A-28-00-00-01A-941A-D	46	AR
118898 (ASTM A580 COND A)	0396G	Lockwire dia. 0.81 mm (0.032 in)	SPORTSTAR- A-28-00-00-01B-941A-D	46	AR
118898 (ASTM A580 COND A)	0396G	Lockwire dia. 0.81 mm (0.032 in)	SPORTSTAR- A-32-40-02-01A-941A-D	41	AR
118898 (ASTM A580 COND A)	0396G	Lockwire dia. 0.81 mm (0.032 in)	SPORTSTAR- A-34-10-03-01A-941A-D	17	AR
118898 (ASTM A580 COND A)	0396G	Lockwire dia. 0.81 mm (0.032 in)	SPORTSTAR- A-34-10-04-01A-941A-D	41	AR
118898 (ASTM A580 COND A)	0396G	Lockwire dia. 0.81 mm (0.032 in)	SPORTSTAR- A-34-11-00-01A-941A-D	8	AR
118898 (ASTM A580 COND A)	0396G	Lockwire dia. 0.81 mm (0.032 in)	SPORTSTAR- A-77-10-01-01A-941A-D	13	AR
118899 (ASTM A580 COND A)	0396G	Lockwire diam. 0.51 mm (0.02 in)	SPORTSTAR- A-61-10-01-01B-941A-D	10	AR
118899 (ASTM A580 COND A)	0396G	Lockwire diam. 0.51 mm (0.02 in)	SPORTSTAR- A-71-20-00-01A-941A-D	711	AR
129825 (EN 10270-2)	0396G	Wire diam. 1.6 mm	SPORTSTAR- A-71-60-00-01A-941A-D	34	AR
147363	0396G	Hose Tubclair 5/8	SPORTSTAR- A-34-10-02-01A-941A-D	38	AR

Applicability: All

SPORTSTAR-A-00-00-00-00A-942A-A

Illustrated Parts Catalogue

Part Number	NCAGE	Nomenclature	DMC	Item	QNA
156272	0396G	Tube 6x1	SPORTSTAR- A-71-10-00-01B-941A-D	11	1
186747	0396G	Tube 6x1	SPORTSTAR- A-34-10-02-01A-941A-D	26	AR
186747	0396G	Tube 6x1	SPORTSTAR- A-34-10-05-01A-941A-D	26	AR
24-01	0396G	Battery Forte FG12200	SPORTSTAR- A-24-30-03-01A-941A-D	0	1
25-10-02	0396G	Safety harness	SPORTSTAR- A-25-10-02-01A-941A-D	0	1
25-11-03	0396G	Interior panels	SPORTSTAR- A-25-11-03-01A-941A-D	0	1
25-11-04	0396G	Carpets	SPORTSTAR- A-25-11-04-01A-941A-D	0	1
25-11-05	0396G	Canopy armrest	SPORTSTAR- A-25-11-05-01A-941A-D	0	1
25-11-06	0396G	Interior covers and lids	SPORTSTAR- A-25-11-06-01A-941A-D	0	1
25-11-07	0396G	Control stick sleeve	SPORTSTAR- A-25-11-07-01A-941A-D	0	1
25-50-02	0396G	Baggage compart- ment equipment	SPORTSTAR- A-25-50-02-01A-941A-D	0	1
25-60-00	0396G	Emergency equip- ment	SPORTSTAR- A-25-60-00-01A-941A-D	0	1
25-60-00	0396G	Emergency equip- ment	SPORTSTAR- A-26-20-01-01A-941A-D	0	1
27-10-00	0396G	Roll control	SPORTSTAR- A-27-10-00-01A-941A-D	0	1
27-20-01A	0396G	Foot control counter- shaft - original ver- sion	SPORTSTAR- A-27-20-01-01A-941A-D	0	1
27-20-01B	0396G	Foot control counter- shaft - original ver- sion	SPORTSTAR- A-27-20-01-01B-941A-D	0	1
27-20-02A	0396G	Foot control pedals - original version	SPORTSTAR- A-27-20-02-01A-941A-D	0	1
27-20-02B	0396G	Foot control pedals - new version	SPORTSTAR- A-27-20-02-01B-941A-D	0	1
27-20-03	0396G	Control cable instal- lation	SPORTSTAR- A-27-20-03-01A-941A-D	0	1
27-20-04A	0396G	Foot pedal position setting - original ver- sion	SPORTSTAR- A-27-20-04-01A-941A-D	0	1
27-20-04B	0396G	Foot pedal position setting - new version	SPORTSTAR- A-27-20-04-01B-941A-D	0	1
27-30-00	0396G	Pitch control	SPORTSTAR- A-27-30-00-01A-941A-D	0	1
27-30-05	0396G	Rocker arm	SPORTSTAR- A-27-30-05-01A-941A-D	0	1
27-50-01	0396G	Flaps control lever	SPORTSTAR- A-27-50-01-01A-941A-D	0	1
27-50-03	0396G	Flaps control torsion shaft	SPORTSTAR- A-27-50-03-01A-941A-D	0	1

Applicability: All

SPORTSTAR-A-00-00-00-00A-942A-A

Illustrated Parts Catalogue

Part Number	NCAGE	Nomenclature	DMC	Item	QNA
285054	0396G	Propeller Klassic 170/3/R	SPORTSTAR-A-61-10-01-01B-941A-D	1	1
285066	0396G	Propeller KW-31-033	SPORTSTAR-A-61-10-02-01A-941A-D	1	1
285095	0396G	Propeller Klassic 170/3/R	SPORTSTAR-A-61-10-01-01A-941A-D	1	1
32-50-00	0396G	Nose landing gear steering	SPORTSTAR-A-32-50-00-01A-941A-D	0	1
335100	0396G	Drain sump	SPORTSTAR-A-34-11-00-01A-941A-D	10	2
335100	0396G	Drain sump	SPORTSTAR-A-34-11-00-01B-941A-D	4	4
335100	0396G	Drain sump	SPORTSTAR-A-34-11-00-01D-941A-D	4	3
335105	0396G	Fuel draining fixture	SPORTSTAR-A-10-00-01-01A-941A-D	46	1
393185	0396G	Spring plunger	SPORTSTAR-A-76-11-01-01A-941A-D	10	1
448030	0396G	First aid kit	SPORTSTAR-A-25-60-00-01A-941A-D	20	1
448039	0396G	Medical gloves	SPORTSTAR-A-25-60-00-01A-941A-D	39	1
506342 (CSN 026020.0)	0396G	Spring	SPORTSTAR-A-27-20-04-01B-941A-D	10	4
53-20-02	0396G	Lids and covers inside the fuselage	SPORTSTAR-A-53-20-02-01A-941A-D	0	1
53-30-01	0396G	Fuselage upper cover	SPORTSTAR-A-53-30-01-01A-941A-D	0	1
53-50-01	0396G	Fuselage - wing fillets	SPORTSTAR-A-53-50-01-01A-941A-D	0	1
53-50-02	0396G	Rear fuselage and fin fairings	SPORTSTAR-A-53-50-02-01A-941A-D	0	1
56-10-01	0396G	Cockpit windows	SPORTSTAR-A-56-10-00-01A-941A-D	0	1
57-10-01	0396G	Wing hinges	SPORTSTAR-A-57-10-01-01A-941A-D	0	1
57-10-03	0396G	Lids and covers on the wing	SPORTSTAR-A-57-10-03-01A-941A-D	0	1
57-10-04	0396G	Landing light cover	SPORTSTAR-A-57-10-04-01A-941A-D	0	1
57-50-00	0396G	Wing flaps	SPORTSTAR-A-57-50-00-01A-941A-D	0	1
57-60-00	0396G	Ailerons	SPORTSTAR-A-57-60-00-01A-941A-D	0	1
701447	0396G	Venting window with flap - left	SPORTSTAR-A-52-10-03-01A-941A-D	10	1
701448	0396G	Venting window with flap - right	SPORTSTAR-A-52-10-03-01A-941A-D	20	1
701480	0396G	Set of rails - left	SPORTSTAR-A-52-10-03-01A-941A-D	21	1
701481	0396G	Set of rails - right	SPORTSTAR-A-52-10-03-01A-941A-D	22	1

Applicability: All

SPORTSTAR-A-00-00-00-00A-942A-A



Illustrated Parts Catalogue

Part Number	NCAGE	Nomenclature	DMC	Item	QNA
701498	0396G	Polishing compound for acrylic surfaces	SPORTSTAR-A-52-10-04-01A-941A-D	500	AR
708379	0396G	Balance weights - 5 g, 10 g	SPORTSTAR-A-32-40-01-01A-941A-D	13	1
708379	0396G	Balance weights - 5 g, 10 g	SPORTSTAR-A-32-40-02-01A-941A-D	40	1
720075	0396G	Net pocket	SPORTSTAR-A-25-50-02-01A-941A-D	3	2
729151	0396G	Mooring strap	SPORTSTAR-A-10-00-01-01A-941A-D	2	3
738569 (WHELEN 01-0770820-02)	0396G	Adjustable lamp Whelen 70820	SPORTSTAR-A-33-10-01-01A-941A-D	11	1
738569 (WHELEN 01-0770820-02)	0396G	Adjustable lamp Whelen 70820	SPORTSTAR-A-33-10-01-01B-941A-D	11	1
738569 (WHELEN 01-0770820-02)	0396G	Adjustable lamp Whelen 70820	SPORTSTAR-A-33-10-01-01C-941A-D	11	1
738578 (WHELEN 01-0770169-03)	0396G	Power supply	SPORTSTAR-A-33-40-02-01A-941A-D	1	1
738581 (WHELEN 01-0750214-00)	0396G	Installation kit	SPORTSTAR-A-33-40-02-01A-941A-D	4	2
738613 (WHELEN 01-0790340-02)	0396G	LED position and strobe light - left	SPORTSTAR-A-33-40-02-01A-941A-D	2	1
738614 (WHELEN 01-0790340-01)	0396G	LED position and strobe light - right	SPORTSTAR-A-33-40-02-01A-941A-D	3	1
738657	0396G	Position and anticollision light L	SPORTSTAR-A-33-40-03-01A-941A-D	9	1
738657	0396G	Position and anticollision light L	SPORTSTAR-A-33-40-03-01B-941A-D	9	1
738658	0396G	Position and anticollision light R	SPORTSTAR-A-33-40-03-01A-941A-D	10	1
738658	0396G	Position and anticollision light R	SPORTSTAR-A-33-40-03-01B-941A-D	10	1
739396	0396G	External power socket	SPORTSTAR-A-24-40-00-01A-941A-D	10	1
739585	0396G	Circuit breaker 2TC2-1	SPORTSTAR-A-24-30-00-01A-941A-D	28	1
739585	0396G	Circuit breaker 2TC2-1	SPORTSTAR-A-24-31-00-01A-941A-D	28	2
739585	0396G	Circuit breaker 2TC2-1	SPORTSTAR-A-24-31-00-01B-941A-D	28	2
739585	0396G	Circuit breaker 2TC2-1	SPORTSTAR-A-24-31-00-01C-941A-D	28	2
739585	0396G	Circuit breaker 2TC2-1	SPORTSTAR-A-25-60-02-01A-941A-D	13	1
739585	0396G	Circuit breaker 2TC2-1	SPORTSTAR-A-27-31-00-01A-941A-D	56	1
739585	0396G	Circuit breaker 2TC2-1	SPORTSTAR-A-27-32-00-01A-941A-D	13	1
739585	0396G	Circuit breaker 2TC2-1	SPORTSTAR-A-31-20-01-01A-941A-D	12	1
739585	0396G	Circuit breaker 2TC2-1	SPORTSTAR-A-31-20-02-01A-941A-D	12	1

Applicability: All

SPORTSTAR-A-00-00-00-00A-942A-A



Illustrated Parts Catalogue

Part Number	NCAGE	Nomenclature	DMC	Item	QNA
739585	0396G	Circuit breaker 2TC2-1	SPORTSTAR- A-31-20-03-01A-941A-D	12	1
739585	0396G	Circuit breaker 2TC2-1	SPORTSTAR- A-33-10-01-01A-941A-D	12	1
739585	0396G	Circuit breaker 2TC2-1	SPORTSTAR- A-33-10-01-01B-941A-D	12	1
739585	0396G	Circuit breaker 2TC2-1	SPORTSTAR- A-33-10-01-01C-941A-D	12	1
739585	0396G	Circuit breaker 2TC2-1	SPORTSTAR- A-77-00-00-01A-941A-D	20	3
739586	0396G	Circuit breaker 2TC2-2	SPORTSTAR- A-33-40-02-01A-941A-D	6	1
739586	0396G	Circuit breaker 2TC2-2	SPORTSTAR- A-33-40-03-01A-941A-D	6	1
739586	0396G	Circuit breaker 2TC2-2	SPORTSTAR- A-33-40-03-01B-941A-D	6	1
739586	0396G	Circuit breaker 2TC2-2	SPORTSTAR- A-34-10-04-01A-941A-D	46	3
739586	0396G	Circuit breaker 2TC2-2	SPORTSTAR- A-34-10-06-01A-941A-A	46	3
739586	0396G	Circuit breaker 2TC2-2	SPORTSTAR- A-34-20-04-01A-941A-D	12	1
739586	0396G	Circuit breaker 2TC2-2	SPORTSTAR- A-34-20-05-01A-941A-D	13	1
739587	0396G	Circuit breaker 2TC2-3	SPORTSTAR- A-28-00-00-01A-941A-D	47	1
739587	0396G	Circuit breaker 2TC2-3	SPORTSTAR- A-28-00-00-01B-941A-D	47	1
739587	0396G	Circuit breaker 2TC2-3	SPORTSTAR- A-34-20-02-01A-941A-D	13	1
739587	0396G	Circuit breaker 2TC2-3	SPORTSTAR- A-34-20-03-01A-941A-D	13	1
739588	0396G	Circuit breaker 2TC2-5	SPORTSTAR- A-24-31-00-01A-941A-D	21	1
739588	0396G	Circuit breaker 2TC2-5	SPORTSTAR- A-24-31-00-01B-941A-D	21	1
739588	0396G	Circuit breaker 2TC2-5	SPORTSTAR- A-24-31-00-01C-941A-D	21	1
739588	0396G	Circuit breaker 2TC2-5	SPORTSTAR- A-34-10-04-01A-941A-D	45	3
739588	0396G	Circuit breaker 2TC2-5	SPORTSTAR- A-34-10-06-01A-941A-A	45	3
739588	0396G	Circuit breaker 2TC2-5	SPORTSTAR- A-34-11-00-01C-941A-D	11	1
739588	0396G	Circuit breaker 2TC2-5	SPORTSTAR- A-34-11-00-01E-941A-D	11	1
739589	0396G	Circuit breaker 2TC2-7.5	SPORTSTAR- A-33-10-02-01A-941A-D	13	1
739589	0396G	Circuit breaker 2TC2-7.5	SPORTSTAR- A-33-40-02-01A-941A-D	5	1
739589	0396G	Circuit breaker 2TC2-7.5	SPORTSTAR- A-33-40-03-01A-941A-D	5	1

Applicability: All

SPORTSTAR-A-00-00-00-00A-942A-A



Illustrated Parts Catalogue

Part Number	NCAGE	Nomenclature	DMC	Item	QNA
739589	0396G	Circuit breaker 2TC2-7.5	SPORTSTAR- A-33-40-03-01B-941A-D	5	1
739589	0396G	Circuit breaker 2TC2-7.5	SPORTSTAR- A-34-10-03-01A-941A-D	45	2
739589	0396G	Circuit breaker 2TC2-7.5	SPORTSTAR- A-61-10-02-01A-941A-D	10	1
739590	0396G	Circuit breaker	SPORTSTAR- A-24-30-00-01A-941A-D	19	1
739590	0396G	Circuit breaker	SPORTSTAR- A-24-31-00-01A-941A-D	20	1
739591	0396G	Circuit breaker	SPORTSTAR- A-24-31-00-01A-941A-D	19	1
739591	0396G	Circuit breaker	SPORTSTAR- A-24-31-00-01B-941A-D	19	2
739591	0396G	Circuit breaker	SPORTSTAR- A-24-31-00-01C-941A-D	19	2
739592	0396G	Circuit breaker 2TC2-10	SPORTSTAR- A-34-11-00-01B-941A-D	40	1
739592	0396G	Circuit breaker 2TC2-10	SPORTSTAR- A-34-11-00-01D-941A-D	40	1
739596	0396G	Circuit breaker 2TC2-15	SPORTSTAR- A-25-10-03-01A-941A-D	14	1
739598	0396G	Circuit breaker 2TC2-25	SPORTSTAR- A-24-30-00-01A-941A-D	23	1
739598	0396G	Circuit breaker 2TC2-25	SPORTSTAR- A-24-31-00-01A-941A-D	87	1
739598	0396G	Circuit breaker 2TC2-25	SPORTSTAR- A-24-31-00-01B-941A-D	20	1
739598	0396G	Circuit breaker 2TC2-25	SPORTSTAR- A-24-31-00-01C-941A-D	20	1
739599	0396G	Circuit breaker 2TC2-4	SPORTSTAR- A-33-40-01-01A-941A-D	13	1
739599	0396G	Circuit breaker 2TC2-4	SPORTSTAR- A-33-40-01-01B-941A-D	13	1
739599	0396G	Circuit breaker 2TC2-4	SPORTSTAR- A-33-40-01-01C-941A-D	13	1
739599	0396G	Circuit breaker 2TC2-4	SPORTSTAR- A-33-40-01-01D-941A-D	13	1
739633	0396G	Fuse	SPORTSTAR- A-31-20-03-01A-941A-D	15	1
739633	0396G	Fuse	SPORTSTAR- A-34-10-04-01A-941A-D	24	1
739633	0396G	Fuse	SPORTSTAR- A-34-10-06-01A-941A-A	24	1
739680	0396G	Electrical wire AE6	SPORTSTAR- A-24-30-00-01A-941A-D	48	AR
739680	0396G	Electrical wire AE6	SPORTSTAR- A-24-31-00-01A-941A-D	49	AR
739680	0396G	Electrical wire AE6	SPORTSTAR- A-24-31-00-01B-941A-D	49	AR
739680	0396G	Electrical wire AE6	SPORTSTAR- A-24-31-00-01C-941A-D	49	AR

Applicability: All

SPORTSTAR-A-00-00-00-00A-942A-A



Illustrated Parts Catalogue

Part Number	NCAGE	Nomenclature	DMC	Item	QNA
739680	0396G	Electrical wire AE6	SPORTSTAR-A-24-40-00-01A-941A-D	29	AR
739681	0396G	Electrical wire AE22	SPORTSTAR-A-24-30-00-01A-941A-D	49	AR
739681	0396G	Electrical wire AE22	SPORTSTAR-A-24-30-02-01A-941A-D	17	AR
739681	0396G	Electrical wire AE22	SPORTSTAR-A-24-31-00-01A-941A-D	42	AR
739681	0396G	Electrical wire AE22	SPORTSTAR-A-24-31-00-01B-941A-D	42	AR
739681	0396G	Electrical wire AE22	SPORTSTAR-A-24-31-00-01C-941A-D	42	AR
739681	0396G	Electrical wire AE22	SPORTSTAR-A-25-10-03-01A-941A-D	20	AR
739681	0396G	Electrical wire AE22	SPORTSTAR-A-25-60-02-01A-941A-D	25	AR
739681	0396G	Electrical wire AE22	SPORTSTAR-A-25-60-03-01A-941A-D	25	AR
739681	0396G	Electrical wire AE22	SPORTSTAR-A-27-31-00-01A-941A-D	70	AR
739681	0396G	Electrical wire AE22	SPORTSTAR-A-27-32-00-01A-941A-D	23	AR
739681	0396G	Electrical wire AE22	SPORTSTAR-A-28-00-00-01A-941A-D	52	AR
739681	0396G	Electrical wire AE22	SPORTSTAR-A-28-00-00-01B-941A-D	52	AR
739681	0396G	Electrical wire AE22	SPORTSTAR-A-31-20-01-01A-941A-D	20	AR
739681	0396G	Electrical wire AE22	SPORTSTAR-A-31-20-02-01A-941A-D	20	AR
739681	0396G	Electrical wire AE22	SPORTSTAR-A-31-20-03-01A-941A-D	20	AR
739681	0396G	Electrical wire AE22	SPORTSTAR-A-31-50-01-01A-941A-D	20	AR
739681	0396G	Electrical wire AE22	SPORTSTAR-A-31-50-02-01A-941A-D	20	AR
739681	0396G	Electrical wire AE22	SPORTSTAR-A-31-50-03-01A-941A-D	20	AR
739681	0396G	Electrical wire AE22	SPORTSTAR-A-33-10-01-01A-941A-D	24	AR
739681	0396G	Electrical wire AE22	SPORTSTAR-A-33-10-01-01B-941A-D	24	AR
739681	0396G	Electrical wire AE22	SPORTSTAR-A-33-10-01-01C-941A-D	24	AR
739681	0396G	Electrical wire AE22	SPORTSTAR-A-33-10-02-01A-941A-D	25	AR
739681	0396G	Electrical wire AE22	SPORTSTAR-A-33-10-03-01A-941A-D	20	AR
739681	0396G	Electrical wire AE22	SPORTSTAR-A-33-10-05-01A-941A-D	25	AR
739681	0396G	Electrical wire AE22	SPORTSTAR-A-33-40-02-01A-941A-D	30	AR

Applicability: All

SPORTSTAR-A-00-00-00-00A-942A-A



Illustrated Parts Catalogue

Part Number	NCAGE	Nomenclature	DMC	Item	QNA
739681	0396G	Electrical wire AE22	SPORTSTAR-A-33-40-03-01A-941A-D	28	AR
739681	0396G	Electrical wire AE22	SPORTSTAR-A-33-40-03-01B-941A-D	28	AR
739681	0396G	Electrical wire AE22	SPORTSTAR-A-34-10-01-01A-941A-D	17	AR
739681	0396G	Electrical wire AE22	SPORTSTAR-A-34-10-03-01A-941A-D	80	AR
739681	0396G	Electrical wire AE22	SPORTSTAR-A-34-10-04-01A-941A-D	70	AR
739681	0396G	Electrical wire AE22	SPORTSTAR-A-34-10-06-01A-941A-A	70	AR
739681	0396G	Electrical wire AE22	SPORTSTAR-A-34-11-00-01B-941A-D	60	AR
739681	0396G	Electrical wire AE22	SPORTSTAR-A-34-11-00-01C-941A-D	27	AR
739681	0396G	Electrical wire AE22	SPORTSTAR-A-34-11-00-01D-941A-D	60	AR
739681	0396G	Electrical wire AE22	SPORTSTAR-A-34-11-00-01E-941A-D	27	AR
739681	0396G	Electrical wire AE22	SPORTSTAR-A-34-20-02-01A-941A-D	20	AR
739681	0396G	Electrical wire AE22	SPORTSTAR-A-34-20-03-01A-941A-D	20	AR
739681	0396G	Electrical wire AE22	SPORTSTAR-A-34-20-04-01A-941A-D	23	AR
739681	0396G	Electrical wire AE22	SPORTSTAR-A-34-20-05-01A-941A-D	20	AR
739681	0396G	Electrical wire AE22	SPORTSTAR-A-61-10-02-01A-941A-D	14	AR
739681	0396G	Electrical wire AE22	SPORTSTAR-A-77-00-00-01A-941A-D	35	AR
739682	0396G	Electrical wire AE20	SPORTSTAR-A-24-30-00-01A-941A-D	45	AR
739682	0396G	Electrical wire AE20	SPORTSTAR-A-24-30-01-01A-941A-D	13	AR
739682	0396G	Electrical wire AE20	SPORTSTAR-A-24-31-00-01A-941A-D	44	AR
739682	0396G	Electrical wire AE20	SPORTSTAR-A-24-31-00-01B-941A-D	44	AR
739682	0396G	Electrical wire AE20	SPORTSTAR-A-24-31-00-01C-941A-D	44	AR
739682	0396G	Electrical wire AE20	SPORTSTAR-A-24-40-00-01A-941A-D	28	AR
739682	0396G	Electrical wire AE20	SPORTSTAR-A-24-60-02-01A-941A-D	22	AR
739682	0396G	Electrical wire AE20	SPORTSTAR-A-24-60-02-01B-941A-D	22	AR
739682	0396G	Electrical wire AE20	SPORTSTAR-A-33-10-02-01A-941A-D	26	AR
739682	0396G	Electrical wire AE20	SPORTSTAR-A-33-10-05-01A-941A-D	26	AR

Applicability: All

SPORTSTAR-A-00-00-00-00A-942A-A



Illustrated Parts Catalogue

Part Number	NCAGE	Nomenclature	DMC	Item	QNA
739682	0396G	Electrical wire AE20	SPORTSTAR-A-33-40-01-01A-941A-D	35	AR
739682	0396G	Electrical wire AE20	SPORTSTAR-A-33-40-01-01B-941A-D	35	AR
739682	0396G	Electrical wire AE20	SPORTSTAR-A-33-40-01-01C-941A-D	35	AR
739682	0396G	Electrical wire AE20	SPORTSTAR-A-33-40-01-01D-941A-D	35	AR
739682	0396G	Electrical wire AE20	SPORTSTAR-A-33-40-02-01A-941A-D	31	AR
739682	0396G	Electrical wire AE20	SPORTSTAR-A-33-40-03-01A-941A-D	29	AR
739682	0396G	Electrical wire AE20	SPORTSTAR-A-33-40-03-01B-941A-D	29	AR
739682	0396G	Electrical wire AE20	SPORTSTAR-A-34-10-04-01A-941A-D	71	AR
739682	0396G	Electrical wire AE20	SPORTSTAR-A-34-10-04-01A-941A-D	75	AR
739682	0396G	Electrical wire AE20	SPORTSTAR-A-34-10-06-01A-941A-A	75	AR
739682	0396G	Electrical wire AE20	SPORTSTAR-A-34-11-00-01B-941A-D	61	AR
739682	0396G	Electrical wire AE20	SPORTSTAR-A-34-11-00-01D-941A-D	61	AR
739682	0396G	Electrical wire AE20	SPORTSTAR-A-61-10-02-01A-941A-D	15	AR
739683	0396G	Electrical wire AE18	SPORTSTAR-A-24-31-00-01A-941A-D	45	AR
739683	0396G	Electrical wire AE18	SPORTSTAR-A-24-31-00-01B-941A-D	45	AR
739683	0396G	Electrical wire AE18	SPORTSTAR-A-24-31-00-01C-941A-D	45	AR
739683	0396G	Electrical wire AE18	SPORTSTAR-A-25-10-03-01A-941A-D	21	AR
739683	0396G	Electrical wire AE18	SPORTSTAR-A-34-11-00-01B-941A-D	59	AR
739683	0396G	Electrical wire AE18	SPORTSTAR-A-34-11-00-01D-941A-D	59	AR
739684	0396G	Electrical wire AE16	SPORTSTAR-A-24-30-00-01A-941A-D	46	AR
739684	0396G	Electrical wire AE16	SPORTSTAR-A-24-31-00-01A-941A-D	46	AR
739684	0396G	Electrical wire AE16	SPORTSTAR-A-24-31-00-01B-941A-D	46	AR
739684	0396G	Electrical wire AE16	SPORTSTAR-A-24-31-00-01C-941A-D	46	AR
739685	0396G	Electrical wire AE12	SPORTSTAR-A-24-30-00-01A-941A-D	47	AR
739685	0396G	Electrical wire AE12	SPORTSTAR-A-24-31-00-01A-941A-D	47	AR
739685	0396G	Electrical wire AE12	SPORTSTAR-A-24-31-00-01B-941A-D	47	AR

Applicability: All

SPORTSTAR-A-00-00-00-00A-942A-A



Illustrated Parts Catalogue

Part Number	NCAGE	Nomenclature	DMC	Item	QNA
739685	0396G	Electrical wire AE12	SPORTSTAR- A-24-31-00-01C-941A-D	47	AR
739685	0396G	Electrical wire AE12	SPORTSTAR- A-24-60-01-01A-941A-D	12	1
739685	0396G	Electrical wire AE12	SPORTSTAR- A-24-60-02-01A-941A-D	23	AR
739685	0396G	Electrical wire AE12	SPORTSTAR- A-24-60-02-01B-941A-D	23	AR
739685	0396G	Electrical wire AE12	SPORTSTAR- A-24-70-01-01A-941A-D	10	AR
739685	0396G	Electrical wire AE12	SPORTSTAR- A-34-10-04-01A-941A-D	74	AR
739685	0396G	Electrical wire AE12	SPORTSTAR- A-34-10-06-01A-941A-A	74	AR
739686	0396G	Electrical wire AE10	SPORTSTAR- A-24-31-00-01A-941A-D	48	AR
739686	0396G	Electrical wire AE10	SPORTSTAR- A-24-31-00-01B-941A-D	48	AR
739686	0396G	Electrical wire AE10	SPORTSTAR- A-24-31-00-01C-941A-D	48	AR
739686	0396G	Electrical wire AE10	SPORTSTAR- A-34-10-03-01A-941A-D	82	AR
739686	0396G	Electrical wire AE10	SPORTSTAR- A-34-10-06-01A-941A-A	71	AR
739691	0396G	Electrical wire 2xAWG22 STI	SPORTSTAR- A-34-10-03-01A-941A-D	83	AR
739691	0396G	Electrical wire 2xAWG22 STI	SPORTSTAR- A-34-10-04-01A-941A-D	72	AR
739692	0396G	Shielded wire UE22	SPORTSTAR- A-25-60-03-01A-941A-D	26	AR
739692	0396G	Shielded wire UE22	SPORTSTAR- A-34-10-03-01A-941A-D	84	AR
739692	0396G	Shielded wire UE22	SPORTSTAR- A-34-10-04-01A-941A-D	73	AR
739692	0396G	Shielded wire UE22	SPORTSTAR- A-34-10-06-01A-941A-A	73	AR
739693	0396G	Shielded wire RE22	SPORTSTAR- A-25-60-02-01A-941A-D	26	AE
739695	0396G	Shielded wire TE20	SPORTSTAR- A-24-30-00-01A-941A-D	50	2
739695	0396G	Shielded wire TE20	SPORTSTAR- A-24-31-00-01A-941A-D	50	2
739695	0396G	Shielded wire TE20	SPORTSTAR- A-24-31-00-01B-941A-D	50	AR
739695	0396G	Shielded wire TE20	SPORTSTAR- A-24-31-00-01C-941A-D	50	AR
739698	0396G	Electrical wire YG20	SPORTSTAR- A-34-10-04-01A-941A-D	76	AR
739698	0396G	Electrical wire YG20	SPORTSTAR- A-34-10-06-01A-941A-A	76	AR
739718	0396G	Electrical wire AE24	SPORTSTAR- A-33-10-05-01A-941A-D	24	AR

Applicability: All

SPORTSTAR-A-00-00-00-00A-942A-A

Illustrated Parts Catalogue

Part Number	NCAGE	Nomenclature	DMC	Item	QNA
739737	0396G	Coaxial cable	SPORTSTAR-A-25-60-01-01A-941A-D	27	AR
739737	0396G	Coaxial cable	SPORTSTAR-A-25-60-02-01A-941A-D	27	AR
739737	0396G	Coaxial cable	SPORTSTAR-A-25-60-03-01A-941A-D	27	AR
739761	0396G	Ring cable eye	SPORTSTAR-A-24-30-00-01A-941A-D	32	4
739761	0396G	Ring cable eye	SPORTSTAR-A-24-31-00-01A-941A-D	32	11
739761	0396G	Ring cable eye	SPORTSTAR-A-24-31-00-01B-941A-D	32	11
739761	0396G	Ring cable eye	SPORTSTAR-A-24-31-00-01C-941A-D	32	11
739761	0396G	Ring cable eye	SPORTSTAR-A-24-60-01-01A-941A-D	10	2
739761	0396G	Ring cable eye	SPORTSTAR-A-24-60-02-01A-941A-D	16	2
739761	0396G	Ring cable eye	SPORTSTAR-A-24-60-02-01B-941A-D	16	2
739762	0396G	Ring cable eye	SPORTSTAR-A-24-30-00-01A-941A-D	35	1
739762	0396G	Ring cable eye	SPORTSTAR-A-24-31-00-01A-941A-D	31	3
739762	0396G	Ring cable eye	SPORTSTAR-A-24-31-00-01B-941A-D	31	3
739762	0396G	Ring cable eye	SPORTSTAR-A-24-31-00-01C-941A-D	31	3
739763	0396G	Ring cable eye	SPORTSTAR-A-24-30-00-01A-941A-D	31	2
739763	0396G	Ring cable eye	SPORTSTAR-A-24-31-00-01A-941A-D	30	3
739763	0396G	Ring cable eye	SPORTSTAR-A-24-31-00-01B-941A-D	30	3
739763	0396G	Ring cable eye	SPORTSTAR-A-24-31-00-01C-941A-D	30	3
739763	0396G	Ring cable eye	SPORTSTAR-A-24-70-01-01A-941A-D	11	2
739763	0396G	Ring cable eye	SPORTSTAR-A-34-10-03-01A-941A-D	77	2
739763	0396G	Ring cable eye	SPORTSTAR-A-34-10-04-01A-941A-D	66	2
739763	0396G	Ring cable eye	SPORTSTAR-A-34-10-06-01A-941A-A	66	2
739764	0396G	Ring cable eye	SPORTSTAR-A-24-70-01-01A-941A-D	12	2
739770	0396G	Ring cable eye	SPORTSTAR-A-34-10-03-01A-941A-D	75	2
739771	0396G	Ring cable eye	SPORTSTAR-A-24-30-00-01A-941A-D	34	6
739771	0396G	Ring cable eye	SPORTSTAR-A-24-31-00-01A-941A-D	35	6

Applicability: All

SPORTSTAR-A-00-00-00-00A-942A-A

Illustrated Parts Catalogue

Part Number	NCAGE	Nomenclature	DMC	Item	QNA
739771	0396G	Ring cable eye	SPORTSTAR-A-24-31-00-01B-941A-D	35	6
739771	0396G	Ring cable eye	SPORTSTAR-A-24-31-00-01C-941A-D	35	6
739772	0396G	Ring cable eye	SPORTSTAR-A-24-30-00-01A-941A-D	33	2
739772	0396G	Ring cable eye	SPORTSTAR-A-24-30-02-01A-941A-D	13	2
739772	0396G	Ring cable eye	SPORTSTAR-A-24-31-00-01A-941A-D	34	19
739772	0396G	Ring cable eye	SPORTSTAR-A-24-31-00-01B-941A-D	34	19
739772	0396G	Ring cable eye	SPORTSTAR-A-24-31-00-01C-941A-D	34	22
739772	0396G	Ring cable eye	SPORTSTAR-A-24-60-02-01A-941A-D	15	2
739772	0396G	Ring cable eye	SPORTSTAR-A-24-60-02-01B-941A-D	15	1
739772	0396G	Ring cable eye	SPORTSTAR-A-25-10-03-01A-941A-D	25	6
739772	0396G	Ring cable eye	SPORTSTAR-A-25-60-02-01A-941A-D	22	2
739772	0396G	Ring cable eye	SPORTSTAR-A-25-60-03-01A-941A-D	22	2
739772	0396G	Ring cable eye	SPORTSTAR-A-27-31-00-01A-941A-D	60	6
739772	0396G	Ring cable eye	SPORTSTAR-A-27-32-00-01A-941A-D	20	2
739772	0396G	Ring cable eye	SPORTSTAR-A-28-00-00-01A-941A-D	49	3
739772	0396G	Ring cable eye	SPORTSTAR-A-28-00-00-01B-941A-D	49	4
739772	0396G	Ring cable eye	SPORTSTAR-A-31-20-01-01A-941A-D	17	4
739772	0396G	Ring cable eye	SPORTSTAR-A-31-20-02-01A-941A-D	17	4
739772	0396G	Ring cable eye	SPORTSTAR-A-31-20-03-01A-941A-D	17	4
739772	0396G	Ring cable eye	SPORTSTAR-A-31-50-01-01A-941A-D	17	2
739772	0396G	Ring cable eye	SPORTSTAR-A-31-50-02-01A-941A-D	17	2
739772	0396G	Ring cable eye	SPORTSTAR-A-31-50-03-01A-941A-D	17	2
739772	0396G	Ring cable eye	SPORTSTAR-A-33-10-01-01A-941A-D	20	2
739772	0396G	Ring cable eye	SPORTSTAR-A-33-10-01-01B-941A-D	20	2
739772	0396G	Ring cable eye	SPORTSTAR-A-33-10-01-01C-941A-D	20	3
739772	0396G	Ring cable eye	SPORTSTAR-A-33-10-02-01A-941A-D	20	5

Applicability: All

SPORTSTAR-A-00-00-00-00A-942A-A



Illustrated Parts Catalogue

Part Number	NCAGE	Nomenclature	DMC	Item	QNA
739772	0396G	Ring cable eye	SPORTSTAR- A-33-10-03-01A-941A-D	18	4
739772	0396G	Ring cable eye	SPORTSTAR- A-33-10-05-01A-941A-D	20	3
739772	0396G	Ring cable eye	SPORTSTAR- A-33-40-01-01A-941A-D	25	2
739772	0396G	Ring cable eye	SPORTSTAR- A-33-40-01-01B-941A-D	25	2
739772	0396G	Ring cable eye	SPORTSTAR- A-33-40-01-01C-941A-D	25	2
739772	0396G	Ring cable eye	SPORTSTAR- A-33-40-01-01D-941A-D	25	2
739772	0396G	Ring cable eye	SPORTSTAR- A-33-40-02-01A-941A-D	20	6
739772	0396G	Ring cable eye	SPORTSTAR- A-33-40-03-01A-941A-D	20	5
739772	0396G	Ring cable eye	SPORTSTAR- A-33-40-03-01B-941A-D	20	7
739772	0396G	Ring cable eye	SPORTSTAR- A-34-10-01-01A-941A-D	13	3
739772	0396G	Ring cable eye	SPORTSTAR- A-34-10-03-01A-941A-D	76	14
739772	0396G	Ring cable eye	SPORTSTAR- A-34-10-04-01A-941A-D	65	45
739772	0396G	Ring cable eye	SPORTSTAR- A-34-10-06-01A-941A-A	65	47
739772	0396G	Ring cable eye	SPORTSTAR- A-34-11-00-01B-941A-D	52	4
739772	0396G	Ring cable eye	SPORTSTAR- A-34-11-00-01C-941A-D	19	3
739772	0396G	Ring cable eye	SPORTSTAR- A-34-11-00-01D-941A-D	52	4
739772	0396G	Ring cable eye	SPORTSTAR- A-34-11-00-01E-941A-D	19	3
739772	0396G	Ring cable eye	SPORTSTAR- A-34-20-02-01A-941A-D	17	2
739772	0396G	Ring cable eye	SPORTSTAR- A-34-20-03-01A-941A-D	17	2
739772	0396G	Ring cable eye	SPORTSTAR- A-34-20-04-01A-941A-D	19	2
739772	0396G	Ring cable eye	SPORTSTAR- A-34-20-05-01A-941A-D	17	2
739772	0396G	Ring cable eye	SPORTSTAR- A-61-10-02-01A-941A-D	12	4
739772	0396G	Ring cable eye	SPORTSTAR- A-77-00-00-01A-941A-D	28	19
739773	0396G	Ring cable eye	SPORTSTAR- A-24-30-01-01A-941A-D	12	1
739773	0396G	Ring cable eye	SPORTSTAR- A-24-31-00-01A-941A-D	33	1
739773	0396G	Ring cable eye	SPORTSTAR- A-24-31-00-01B-941A-D	33	2

Applicability: All

SPORTSTAR-A-00-00-00-00A-942A-A

Illustrated Parts Catalogue

Part Number	NCAGE	Nomenclature	DMC	Item	QNA
739773	0396G	Ring cable eye	SPORTSTAR- A-24-31-00-01C-941A-D	33	2
739773	0396G	Ring cable eye	SPORTSTAR- A-28-00-00-01A-941A-D	50	1
739773	0396G	Ring cable eye	SPORTSTAR- A-28-00-00-01B-941A-D	50	1
739777	0396G	Ring cable eye	SPORTSTAR- A-24-30-00-01A-941A-D	30	6
739777	0396G	Ring cable eye	SPORTSTAR- A-24-31-00-01A-941A-D	29	6
739777	0396G	Ring cable eye	SPORTSTAR- A-24-31-00-01B-941A-D	29	6
739777	0396G	Ring cable eye	SPORTSTAR- A-24-31-00-01C-941A-D	29	6
739777	0396G	Ring cable eye	SPORTSTAR- A-24-40-00-01A-941A-D	21	5
739780	0396G	Ring cable eye	SPORTSTAR- A-24-40-00-01A-941A-D	20	1
739828	0396G	Ring cable eye	SPORTSTAR- A-34-10-04-01A-941A-D	62	1
739828	0396G	Ring cable eye	SPORTSTAR- A-34-10-06-01A-941A-A	62	1
739829	0396G	Ring cable eye	SPORTSTAR- A-34-10-04-01A-941A-D	63	2
739829	0396G	Ring cable eye	SPORTSTAR- A-34-10-06-01A-941A-A	63	2
739839	0396G	Ring cable eye	SPORTSTAR- A-34-10-04-01A-941A-D	69	4
739839	0396G	Ring cable eye	SPORTSTAR- A-34-10-06-01A-941A-A	69	4
739870	0396G	Socket (AWG24-18)	SPORTSTAR- A-25-10-03-01A-941A-D	13	24
739870	0396G	Socket (AWG24-18)	SPORTSTAR- A-27-31-00-01A-941A-D	63	5
739871	0396G	Plug (AWG24-18)	SPORTSTAR- A-27-31-00-01A-941A-D	64	5
739874	0396G	Connector - plug type	SPORTSTAR- A-27-31-00-01A-941A-D	61	1
739875	0396G	Connector- socket type	SPORTSTAR- A-27-31-00-01A-941A-D	62	1
739895	0396G	Connector Molex Mini-Fit	SPORTSTAR- A-25-10-03-01A-941A-D	12	2
739896	0396G	Connector Molex Mi- cro-Fit 3.0 2 Pin	SPORTSTAR- A-33-10-05-01A-941A-D	16	1
739897	0396G	Connector Molex Mi- cro-Fit 3.0 2 Pin	SPORTSTAR- A-33-10-05-01A-941A-D	17	1
739898	0396G	Contact Molex Micro- Fit 3.0	SPORTSTAR- A-33-10-05-01A-941A-D	18	2
739899	0396G	Contact Molex Micro- Fit 3.0	SPORTSTAR- A-33-10-05-01A-941A-D	19	2
739906	0396G	Terminal with cover	SPORTSTAR- A-33-10-02-01A-941A-D	15	1

Applicability: All

SPORTSTAR-A-00-00-00-00A-942A-A



Illustrated Parts Catalogue

Part Number	NCAGE	Nomenclature	DMC	Item	QNA
739971	0396G	Nut	SPORTSTAR- A-34-12-00-01A-941A-D	18	14
739971	0396G	Nut	SPORTSTAR- A-34-13-00-01A-941A-D	18	14
739971	0396G	Nut	SPORTSTAR- A-34-14-00-01A-941A-D	18	7
739971	0396G	Nut	SPORTSTAR- A-34-15-00-01A-941A-D	18	7
739971	0396G	Nut	SPORTSTAR- A-34-16-00-01A-941A-D	18	7
739971	0396G	Nut	SPORTSTAR- A-34-20-04-01A-941A-D	31	4
739971	0396G	Nut	SPORTSTAR- A-77-10-01-01A-941A-D	11	4
740036	0396G	Plastic cover	SPORTSTAR- A-34-10-04-01A-941A-D	53	1
740036	0396G	Plastic cover	SPORTSTAR- A-34-10-06-01A-941A-A	53	1
740037	0396G	Plastic cover	SPORTSTAR- A-34-10-03-01A-941A-D	57	1
740038	0396G	Plastic cover	SPORTSTAR- A-34-10-03-01A-941A-D	58	1
740042 (MIL-C 24308 25P)	0396G	Connector D-SUB	SPORTSTAR- A-34-10-03-01A-941A-D	55	1
740047	0396G	Connector D-SUB	SPORTSTAR- A-34-10-04-01A-941A-D	52	1
740047	0396G	Connector D-SUB	SPORTSTAR- A-34-10-06-01A-941A-A	52	1
740049 (MIL-C-24308 37S)	0396G	Connector D-SUB	SPORTSTAR- A-34-10-03-01A-941A-D	56	1
740508	0396G	Static discharger	SPORTSTAR- A-23-60-00-01A-941A-D	19	5
750134 (Pierburg 7.21440.51)	0396G	Fuel pump	SPORTSTAR- A-28-00-00-01A-941A-D	38	1
750134 (Pierburg 7.21440.51)	0396G	Fuel pump	SPORTSTAR- A-28-00-00-01B-941A-D	38	1
750335	0396G	R912 G3X Kit	SPORTSTAR- A-34-10-04-01A-941A-D	25	1
750335	0396G	R912 G3X Kit	SPORTSTAR- A-34-10-06-01A-941A-A	25	1
750340	0396G	GSU 25 ADAHRS Module + Kit	SPORTSTAR- A-34-10-04-01A-941A-D	15	2
750340	0396G	GSU 25 ADAHRS Module + Kit	SPORTSTAR- A-34-10-06-01A-941A-A	15	2
750341	0396G	GEA 24 Engine Mod- ule + Kit	SPORTSTAR- A-34-10-04-01A-941A-D	16	1
750341	0396G	GEA 24 Engine Mod- ule + Kit	SPORTSTAR- A-34-10-06-01A-941A-A	16	1
750343	0396G	GMU 22 Magneto- meter + Kit	SPORTSTAR- A-34-10-04-01A-941A-D	17	1
750343	0396G	GMU 22 Magneto- meter + Kit	SPORTSTAR- A-34-10-06-01A-941A-A	17	1

Applicability: All

SPORTSTAR-A-00-00-00-00A-942A-A

Part Number	NCAGE	Nomenclature	DMC	Item	QNA
750344	0396G	GTP 59 OAT Sensor	SPORTSTAR- A-34-10-04-01A-941A-D	18	1
750344	0396G	GTP 59 OAT Sensor	SPORTSTAR- A-34-10-06-01A-941A-A	18	1
750358 (KANNAD S1851501-02)	0396G	ELT Kannad AF Inte- gra unit	SPORTSTAR- A-25-60-03-01A-941A-D	10	1
750363 (KANNAD S1820514-03)	0396G	Connector	SPORTSTAR- A-25-60-03-01A-941A-D	12	1
750364 (KANNAD S1840502-02)	0396G	ELT bracket	SPORTSTAR- A-25-60-03-01A-941A-D	11	1
750365 (KANNAD S1820513-18)	0396G	ELT remote control panel	SPORTSTAR- A-25-60-03-01A-941A-D	13	1
750366	0396G	ELT antenna AV-200	SPORTSTAR- A-25-60-03-01A-941A-D	14	1
750372	0396G	Config. Module GDU 4XX	SPORTSTAR- A-34-10-04-01A-941A-D	12	1
750372	0396G	Config. Module GDU 4XX	SPORTSTAR- A-34-10-06-01A-941A-A	12	1
750378	0396G	GDU 460 + Kit	SPORTSTAR- A-34-10-04-01A-941A-D	10	2
750378	0396G	GDU 460 + Kit	SPORTSTAR- A-34-10-06-01A-941A-A	10	2
750545	0396G	GA26 C GPS Anten- na	SPORTSTAR- A-34-10-04-01A-941A-D	13	2
750545	0396G	GA26 C GPS Anten- na	SPORTSTAR- A-34-10-06-01A-941A-A	13	2
750759	0396G	iPad mini holder	SPORTSTAR- A-39-10-04-01A-941A-D	1	1
761375	0396G	Cover	SPORTSTAR- A-53-20-02-01A-941A-D	3	1
761532	0396G	Venting window	SPORTSTAR- A-52-10-04-01A-941A-D	10	2
761559	0396G	Hanger	SPORTSTAR- A-52-10-00-01A-941A-D	18	2
762102	0396G	Sealing	SPORTSTAR- A-53-50-01-01A-941A-D	3	4
762252	0396G	Lid	SPORTSTAR- A-57-10-03-01A-941A-D	1	4
764005	0396G	Tire tube	SPORTSTAR- A-32-40-02-01A-941A-D	20	3
764006	0396G	Goodyear tire	SPORTSTAR- A-32-40-02-01A-941A-D	10	3
764012	0396G	Tire Cheng Shin	SPORTSTAR- A-32-10-00-01B-941A-D	29	2
764012	0396G	Tire Cheng Shin	SPORTSTAR- A-32-40-01-01A-941A-D	11	1
764012	0396G	Tire Cheng Shin	SPORTSTAR- A-32-40-03-01A-941A-D	11	1
764013	0396G	Tire tube	SPORTSTAR- A-32-10-00-01B-941A-D	28	2
764013	0396G	Tire tube	SPORTSTAR- A-32-40-01-01A-941A-D	7	1

Applicability: All

SPORTSTAR-A-00-00-00-00A-942A-A

Illustrated Parts Catalogue

Part Number	NCAGE	Nomenclature	DMC	Item	QNA
764013	0396G	Tire tube	SPORTSTAR- A-32-40-03-01A-941A-D	10	1
764403	0396G	Lever	SPORTSTAR- A-27-50-03-01A-941A-D	5	2
764407	0396G	Bearing	SPORTSTAR- A-27-50-03-01A-941A-D	3	1
764411	0396G	Cam	SPORTSTAR- A-27-50-03-01A-941A-D	6	2
764451	0396G	Spacer	SPORTSTAR- A-27-50-01-01A-941A-D	5	1
764452	0396G	Spacer	SPORTSTAR- A-27-50-01-01A-941A-D	6	1
764453	0396G	Pin	SPORTSTAR- A-27-50-01-01A-941A-D	4	1
765054	0396G	Brake hose	SPORTSTAR- A-32-41-00-01A-941A-D	11	AR
765056 (CSN 13 7723)	0396G	Pipe connection	SPORTSTAR- A-32-41-01-01A-941A-D	4	1
765056 (CSN 137723)	0396G	Pipe connection	SPORTSTAR- A-32-41-00-01A-941A-D	23	2
765056 (CSN 137723)	0396G	Pipe connection	SPORTSTAR- A-32-41-02-01A-941A-D	2	2
765081	0396G	Pipe connection	SPORTSTAR- A-32-41-00-01A-941A-D	15	4
765105	0396G	Brake disc	SPORTSTAR- A-32-40-01-01A-941A-D	15	1
765105	0396G	Brake disc	SPORTSTAR- A-32-40-03-01A-941A-D	5	1
765108	0396G	Spacer	SPORTSTAR- A-32-40-01-01A-941A-D	22	1
765108	0396G	Spacer	SPORTSTAR- A-32-40-03-01A-941A-D	22	1
765198	0396G	Piston	SPORTSTAR- A-32-41-01-01A-941A-D	3	1
765210	0396G	Brake pad	SPORTSTAR- A-32-41-01-01A-941A-D	10	2
765228	0396G	Inner wheel disk	SPORTSTAR- A-32-40-01-01A-941A-D	21	1
765247	0396G	Bolt	SPORTSTAR- A-32-10-01-01A-941A-D	4	2
765253	0396G	Outer wheel disk	SPORTSTAR- A-32-40-01-01A-941A-D	1	1
765253	0396G	Outer wheel disk	SPORTSTAR- A-32-40-03-01A-941A-D	1	1
765255	0396G	Screw	SPORTSTAR- A-32-40-03-01A-941A-D	7	6
765259	0396G	Brake body - right	SPORTSTAR- A-32-41-01-01A-941A-D	2	1
765261	0396G	Brake body - left	SPORTSTAR- A-32-41-01-01A-941A-D	1	1
765263	0396G	Plug	SPORTSTAR- A-32-41-01-01A-941A-D	5	1

Applicability: All

SPORTSTAR-A-00-00-00-00A-942A-A

Illustrated Parts Catalogue

Part Number	NCAGE	Nomenclature	DMC	Item	QNA
765478	0396G	Washer	SPORTSTAR-A-32-10-00-01A-941A-D	4	2
765478	0396G	Washer	SPORTSTAR-A-32-20-00-01A-941A-D	16	2
765600	0396G	Engine Rotax 912 S	SPORTSTAR-A-71-00-02-01A-941A-D	1	1
765601	0396G	Engine Rotax 912 S with external alternator F3A	SPORTSTAR-A-71-00-03-01A-941A-D	1	1
766007	0396G	Oil cooler	SPORTSTAR-A-79-00-00-01A-941A-D	53	1
766007	0396G	Oil cooler	SPORTSTAR-A-79-00-00-01B-941A-D	53	1
766021	0396G	Overflow bottle holder	SPORTSTAR-A-75-00-00-01A-941A-D	29	1
766029	0396G	Engine Rotax 912 ULS	SPORTSTAR-A-71-00-01-01A-941A-D	1	1
766043	0396G	Starter relay	SPORTSTAR-A-24-40-00-01A-941A-D	11	1
766045	0396G	Hose	SPORTSTAR-A-75-00-00-01A-941A-D	25	AR
766046	0396G	EGT sensor	SPORTSTAR-A-34-10-03-01A-941A-D	25	4
766052	0396G	Cooler	SPORTSTAR-A-75-00-00-01A-941A-D	30	1
766053	0396G	Oil cooler - low	SPORTSTAR-A-79-00-00-01C-941A-D	53	1
766058 (ROTAX 922-113)	0396G	Rubber elbow 110 deg.	SPORTSTAR-A-75-00-00-01A-941A-D	33	2
766059 (ROTAX 922-381)	0396G	Rubber elbow 90 deg.	SPORTSTAR-A-75-00-00-01A-941A-D	31	2
766083	0396G	Airbox	SPORTSTAR-A-71-60-00-01A-941A-D	10	1
766086	0396G	Welded-on piece	SPORTSTAR-A-34-10-03-01A-941A-D	7	4
766087 (DIN 7603)	0396G	Sealing ring CU 8x14x1.5	SPORTSTAR-A-34-10-03-01A-941A-D	26	4
766096	0396G	Oil hose	SPORTSTAR-A-79-20-01-01A-941A-D	15	AR
766096 (ROTAX 956390)	0396G	Hose	SPORTSTAR-A-79-00-00-01A-941A-D	54	AR
766096 (ROTAX 956390)	0396G	Hose	SPORTSTAR-A-79-00-00-01B-941A-D	54	AR
766096 (ROTAX 956390)	0396G	Hose	SPORTSTAR-A-79-00-00-01C-941A-D	54	AR
766100	0396G	Air filter	SPORTSTAR-A-71-60-00-01A-941A-D	60	1
766129	0396G	Silentblock retainer	SPORTSTAR-A-71-20-00-01A-941A-D	2	6
766132	0396G	Washer	SPORTSTAR-A-71-20-00-01A-941A-D	5	4
766134	0396G	Silentblock spacing tube	SPORTSTAR-A-71-20-00-01A-941A-D	3	4

Applicability: All

SPORTSTAR-A-00-00-00-00A-942A-A

Illustrated Parts Catalogue

Part Number	NCAGE	Nomenclature	DMC	Item	QNA
766175	0396G	Clamp	SPORTSTAR- A-71-00-01-01A-941A-D	23	2
766175	0396G	Clamp	SPORTSTAR- A-71-00-02-01A-941A-D	23	2
766175	0396G	Clamp	SPORTSTAR- A-71-00-03-01A-941A-D	23	2
766330 (941780 ROTAX)	0396G	Screw fitting M8x1x17	SPORTSTAR- A-28-00-00-01B-941A-D	132	1
766331 (950143 ROTAX)	0396G	Sealing ring 8x13	SPORTSTAR- A-28-00-00-01B-941A-D	133	10
766332 (956312 ROTAX)	0396G	Fitting	SPORTSTAR- A-28-00-00-01B-941A-D	134	1
766395	0396G	Throttle control Ver- nier	SPORTSTAR- A-76-10-02-01A-941A-D	3	1
766397	0396G	Cam lock	SPORTSTAR- A-71-10-00-01A-941A-D	12	11
766397	0396G	Cam lock	SPORTSTAR- A-71-10-00-01B-941A-D	12	11
766406	0396G	Bushing	SPORTSTAR- A-28-00-00-01A-941A-D	2	3
766406	0396G	Bushing	SPORTSTAR- A-28-00-00-01B-941A-D	2	3
766406	0396G	Bushing	SPORTSTAR- A-77-10-01-01A-941A-D	2	1
766408	0396G	Throttle control	SPORTSTAR- A-76-10-01-01A-941A-D	10	1
766415	0396G	Fuel filter	SPORTSTAR- A-28-00-00-01A-941A-D	31	1
766415	0396G	Fuel filter	SPORTSTAR- A-28-00-00-01B-941A-D	31	1
766431	0396G	Tube fitting	SPORTSTAR- A-76-11-01-01A-941A-D	15	2
766447	0396G	Bowden holder	SPORTSTAR- A-71-60-00-01A-941A-D	7	1
766556	0396G	Spacing tube	SPORTSTAR- A-75-00-00-01A-941A-D	4	4
766557	0396G	Connector	SPORTSTAR- A-75-00-00-01A-941A-D	5	1
768008	0396G	Signaling light - or- ange	SPORTSTAR- A-31-50-02-01A-941A-D	7	1
768008	0396G	Signaling light - or- ange	SPORTSTAR- A-31-50-03-01A-941A-D	7	1
768009	0396G	Signaling light - blue	SPORTSTAR- A-24-40-00-01A-941A-D	13	1
768010	0396G	Signaling light - red	SPORTSTAR- A-24-30-00-01A-941A-D	21	1
768010	0396G	Signaling light - red	SPORTSTAR- A-24-31-00-01A-941A-D	23	2
768010	0396G	Signaling light - red	SPORTSTAR- A-24-31-00-01B-941A-D	23	2
768010	0396G	Signaling light - red	SPORTSTAR- A-24-31-00-01C-941A-D	23	2

Applicability: All

SPORTSTAR-A-00-00-00-00A-942A-A

Illustrated Parts Catalogue

Part Number	NCAGE	Nomenclature	DMC	Item	QNA
768010	0396G	Signaling light - red	SPORTSTAR-A-31-50-01-01A-941A-D	7	1
768010	0396G	Signaling light - red	SPORTSTAR-A-34-10-04-01A-941A-D	28	1
768010	0396G	Signaling light - red	SPORTSTAR-A-34-10-06-01A-941A-A	28	1
768011	0396G	Signaling light - green	SPORTSTAR-A-34-11-00-01B-941A-D	43	1
768011	0396G	Signaling light - green	SPORTSTAR-A-34-11-00-01D-941A-D	43	1
768013	0396G	Socket	SPORTSTAR-A-24-30-00-01A-941A-D	20	1
768013	0396G	Socket	SPORTSTAR-A-24-31-00-01A-941A-D	22	1
768013	0396G	Socket	SPORTSTAR-A-24-31-00-01B-941A-D	22	1
768013	0396G	Socket	SPORTSTAR-A-24-31-00-01C-941A-D	22	1
768018	0396G	Socket cover	SPORTSTAR-A-24-30-00-01A-941A-D	100	1
768018	0396G	Socket cover	SPORTSTAR-A-24-31-00-01A-941A-D	100	1
768018	0396G	Socket cover	SPORTSTAR-A-24-31-00-01B-941A-D	100	1
768018	0396G	Socket cover	SPORTSTAR-A-24-31-00-01C-941A-D	100	1
768021	0396G	Fuse 1A	SPORTSTAR-A-34-10-03-01A-941A-D	47	2
768021	0396G	Fuse 1A	SPORTSTAR-A-34-10-04-01A-941A-D	22	2
768021	0396G	Fuse 1A	SPORTSTAR-A-34-10-06-01A-941A-A	22	2
768022	0396G	Fuse	SPORTSTAR-A-24-30-00-01A-941A-D	27	2
768022	0396G	Fuse	SPORTSTAR-A-24-31-00-01A-941A-D	27	2
768022	0396G	Fuse	SPORTSTAR-A-24-31-00-01B-941A-D	27	2
768022	0396G	Fuse	SPORTSTAR-A-24-31-00-01C-941A-D	27	2
768035	0396G	Fuse holder	SPORTSTAR-A-24-30-00-01A-941A-D	26	1
768035	0396G	Fuse holder	SPORTSTAR-A-24-31-00-01A-941A-D	26	1
768035	0396G	Fuse holder	SPORTSTAR-A-24-31-00-01B-941A-D	26	1
768035	0396G	Fuse holder	SPORTSTAR-A-24-31-00-01C-941A-D	26	1
768035	0396G	Fuse holder	SPORTSTAR-A-34-10-03-01A-941A-D	46	1
768035	0396G	Fuse holder	SPORTSTAR-A-34-10-04-01A-941A-D	21	1

Applicability: All

SPORTSTAR-A-00-00-00-00A-942A-A



Illustrated Parts Catalogue

Part Number	NCAGE	Nomenclature	DMC	Item	QNA
768035	0396G	Fuse holder	SPORTSTAR- A-34-10-06-01A-941A-A	21	1
768050	0396G	Fork	SPORTSTAR- A-21-00-00-01A-941A-D	48	3
768062	0396G	Rubber block	SPORTSTAR- A-32-20-00-01A-941A-D	38	12
768063	0396G	Rubber block	SPORTSTAR- A-32-20-00-01A-941A-D	37	2
768149	0396G	Silentblock	SPORTSTAR- A-71-20-00-01A-941A-D	4	8
768617	0396G	Spacer	SPORTSTAR- A-24-30-00-01A-941A-D	1	2
768617	0396G	Spacer	SPORTSTAR- A-24-31-00-01A-941A-D	1	2
768617	0396G	Spacer	SPORTSTAR- A-24-31-00-01B-941A-D	1	2
768617	0396G	Spacer	SPORTSTAR- A-24-31-00-01C-941A-D	1	2
768825	0396G	End piece	SPORTSTAR- A-21-00-00-01A-941A-D	6	3
769002	0396G	Drain valve extension	SPORTSTAR- A-10-00-01-01A-941A-D	45	1
769024	0396G	Parachute container	SPORTSTAR- A-25-60-04-01A-941A-D	35	1
769031	0396G	Lanyard set	SPORTSTAR- A-25-60-04-01A-941A-D	38	1
769105	0396G	Bag	SPORTSTAR- A-10-00-01-01A-941A-D	42	2
796099	0396G	Silentblock	SPORTSTAR- A-71-60-00-01A-941A-D	29	1
796099	0396G	Silentblock	SPORTSTAR- A-79-00-00-01A-941A-D	35	1
796099	0396G	Silentblock	SPORTSTAR- A-79-00-00-01B-941A-D	35	1
872196	0396G	Industry marker - red	SPORTSTAR- A-32-40-01-01A-941A-D	100	1
872196	0396G	Industry marker - red	SPORTSTAR- A-32-40-03-01A-941A-D	100	1
872307	0396G	Adhesive Sabaspray 20	SPORTSTAR- A-25-50-01-01A-941A-D	20	AR
901720	0396G	Anchor	SPORTSTAR- A-10-00-01-01A-941A-D	43	3
E0 00-57 01	0396G	Pitot-static system	SPORTSTAR- A-34-11-00-01A-941A-D	0	1
E0 01-58 21	0396G	Washer	SPORTSTAR- A-71-20-00-01A-941A-D	6	2
E0 01-61 21	0396G	Bracket	SPORTSTAR- A-71-20-00-01A-941A-D	7	4
E0 06-00 01	0396G	Engine mount	SPORTSTAR- A-71-20-00-01A-941A-D	1	1
E0 23-01 21	0396G	Fillet sheet - left	SPORTSTAR- A-53-50-01-01A-941A-D	1	1

Applicability: All

SPORTSTAR-A-00-00-00-00A-942A-A

Illustrated Parts Catalogue

Part Number	NCAGE	Nomenclature	DMC	Item	QNA
E0 23-01 22	0396G	Fillet sheet - right	SPORTSTAR- A-53-50-01-01A-941A-D	2	1
E0 23-02 21	0396G	Lower fillet	SPORTSTAR- A-53-50-01-01A-941A-D	4	2
E0 23-30 01	0396G	Upper fillet - left	SPORTSTAR- A-53-50-01-01A-941A-D	5	1
E0 23-30 02	0396G	Upper fillet - right	SPORTSTAR- A-53-50-01-01A-941A-D	6	1
E1 00-54 21	0396G	Cable	SPORTSTAR- A-25-60-04-01A-941A-D	50	1
E1 01-09 01	0396G	Rear fuselage fairing	SPORTSTAR- A-53-50-02-01A-941A-D	1	1
E1 01-34 21	0396G	Tail skid	SPORTSTAR- A-53-20-01-01A-941A-D	1	1
E1 01-35 21	0396G	Reinforcement	SPORTSTAR- A-53-20-01-01A-941A-D	2	1
E1 02-41 21	0396G	Fixture	SPORTSTAR- A-25-11-00-01A-941A-D	3	2
E1 02-95 01	0396G	Fuselage upper cover	SPORTSTAR- A-25-60-04-01A-941A-D	4	1
E1 35-01 21	0396G	Support beam	SPORTSTAR- A-25-60-04-01A-941A-D	2	1
E1 40-02 01	0396G	Aileron rod sleeve	SPORTSTAR- A-53-10-01-01A-941A-D	1	2
E1 40-03 01	0396G	Elevator rod sleeve	SPORTSTAR- A-53-10-01-01A-941A-D	2	1
E1 45-01 21	0396G	Lanyard hinge	SPORTSTAR- A-25-60-04-01A-941A-D	8	2
E1 45-23 01	0396G	Reinforcement	SPORTSTAR- A-25-60-04-01A-941A-D	9	1
E1 65-00 01	0396G	Side venting window	SPORTSTAR- A-52-10-03-01A-941A-D	0	1
E2 40-22 21	0396G	Lid	SPORTSTAR- A-57-10-03-01A-941A-D	2	1
E2 50-25 01	0396G	Wing flap stop installation	SPORTSTAR- A-57-10-02-01A-941A-D	0	1
E2 50-60 01	0396G	Lid	SPORTSTAR- A-53-20-02-01A-941A-D	1	1
E2 51-01 01	0396G	Pitot tube holder	SPORTSTAR- A-57-10-03-01A-941A-D	5	1
E2 55-10 01	0396G	Landing light cover	SPORTSTAR- A-57-10-04-01A-941A-D	1	1
E3 03-15 21	0396G	Pad	SPORTSTAR- A-27-31-00-01A-941A-D	5	1
E3 03-29 21	0396G	Trim tab control lever	SPORTSTAR- A-27-31-00-01A-941A-D	1	1
E3 03-30 01	0396G	Clamp	SPORTSTAR- A-27-31-00-01A-941A-D	7	1
E3 03-34 21	0396G	Cover	SPORTSTAR- A-27-31-00-01A-941A-D	9	1
E3 03-36 21	0396G	Pull rod	SPORTSTAR- A-27-31-00-01A-941A-D	10	1

Applicability: All

SPORTSTAR-A-00-00-00-00A-942A-A

Illustrated Parts Catalogue

Part Number	NCAGE	Nomenclature	DMC	Item	QNA
E3 03-38 21	0396G	Bushing	SPORTSTAR- A-27-31-00-01A-941A-D	3	1
E4 00-03 01	0396G	Cable	SPORTSTAR- A-27-20-03-01A-941A-D	1	2
E4 01-01 21	0396G	Slotted piece	SPORTSTAR- A-27-50-01-01A-941A-D	3	2
E4 01-04 21	0396G	Bushing	SPORTSTAR- A-27-10-04-01A-941A-D	1	2
E4 01-08 01	0396G	Lever	SPORTSTAR- A-27-50-03-01A-941A-D	1	1
E4 01-49 21	0396G	End piece	SPORTSTAR- A-27-20-03-01A-941A-D	2	2
E4 01-50 21	0396G	Cable	SPORTSTAR- A-27-20-03-01A-941A-D	9	4
E4 01-65 21	0396G	Bushing	SPORTSTAR- A-27-20-01-01A-941A-D	18	2
E4 01-65 21	0396G	Bushing	SPORTSTAR- A-27-20-01-01B-941A-D	18	2
E4 01-98 21	0396G	Spacer	SPORTSTAR- A-27-10-05-01A-941A-D	1	1
E4 40-14 01	0396G	Brake pedal - left	SPORTSTAR- A-27-20-02-01A-941A-D	4	2
E4 40-14 01	0396G	Brake pedal - left	SPORTSTAR- A-27-20-02-01B-941A-D	4	2
E4 40-14 02	0396G	Brake pedal - right	SPORTSTAR- A-27-20-02-01A-941A-D	5	2
E4 40-14 02	0396G	Brake pedal - right	SPORTSTAR- A-27-20-02-01B-941A-D	5	2
E4 40-17 21	0396G	Tube	SPORTSTAR- A-27-20-02-01A-941A-D	7	4
E4 40-17 21	0396G	Tube	SPORTSTAR- A-27-20-02-01B-941A-D	6	4
E4 54-06 21	0396G	Spring	SPORTSTAR- A-27-20-04-01A-941A-D	3	2
E4 85-01 21	0396G	Bearing	SPORTSTAR- A-27-50-03-01A-941A-D	4	2
E5 00-30 21	0396G	Bolt	SPORTSTAR- A-52-10-00-01A-941A-D	19	2
E5 00-61 21	0396G	Connection	SPORTSTAR- A-32-41-00-01A-941A-D	2	1
E5 10-20 01	0396G	Brake pump	SPORTSTAR- A-32-41-02-01A-941A-D	1	1
E5 10-21 21	0396G	Brake pump body	SPORTSTAR- A-32-41-02-01A-941A-D	21	1
E5 10-22 21	0396G	Brake pump cylinder	SPORTSTAR- A-32-41-02-01A-941A-D	22	1
E5 10-23 21	0396G	Piston	SPORTSTAR- A-32-41-02-01A-941A-D	23	1
E5 10-24 21	0396G	Lid	SPORTSTAR- A-32-41-02-01A-941A-D	24	1
E5 10-25 21	0396G	Securing nut	SPORTSTAR- A-32-41-02-01A-941A-D	25	1

Applicability: All

SPORTSTAR-A-00-00-00-00A-942A-A

Illustrated Parts Catalogue

Part Number	NCAGE	Nomenclature	DMC	Item	QNA
E5 10-25 21	0396G	Securing nut	SPORTSTAR- A-32-41-03-01A-941A-D	5	1
E5 10-26 21	0396G	Piston	SPORTSTAR- A-32-41-02-01A-941A-D	26	1
E5 10-27 21	0396G	Plug	SPORTSTAR- A-32-41-02-01A-941A-D	27	1
E5 10-30 21	0396G	Spring	SPORTSTAR- A-32-41-02-01A-941A-D	30	1
E5 10-30 21	0396G	Spring	SPORTSTAR- A-32-41-03-01A-941A-D	6	1
E5 10-31 21	0396G	Spring	SPORTSTAR- A-32-41-02-01A-941A-D	29	1
E5 10-32 21	0396G	Screw	SPORTSTAR- A-32-41-02-01A-941A-D	28	1
E5 10-40 01	0396G	Outer brake pump - left	SPORTSTAR- A-32-41-00-01A-941A-D	21	1
E5 10-40 01 / 02	0396G	Outer brake pump - left /right	SPORTSTAR- A-32-41-02-01A-941A-D	0	2
E5 10-40 02	0396G	Outer brake pump - right	SPORTSTAR- A-32-41-00-01A-941A-D	22	1
E5 11-03 21	0396G	Brake pump cylinder	SPORTSTAR- A-32-41-03-01A-941A-D	2	1
E5 20-10 21	0396G	Nut	SPORTSTAR- A-32-10-00-01A-941A-D	3	2
E5 20-11 21	0396G	Spacer	SPORTSTAR- A-32-10-01-01A-941A-D	3	2
E5 80-03 21	0396G	Pad	SPORTSTAR- A-32-10-00-01A-941A-D	19	2
E5 80-03 21	0396G	Pad	SPORTSTAR- A-32-10-00-01B-941A-D	5	2
E6 00-86 01	0396G	Propeller Klassic 170/3/R installation	SPORTSTAR- A-61-10-01-01A-941A-D	0	1
E6 02-20 21	0396G	Bolt	SPORTSTAR- A-71-00-01-01A-941A-D	7	3
E6 02-20 21	0396G	Bolt	SPORTSTAR- A-71-00-02-01A-941A-D	7	3
E6 02-20 21	0396G	Bolt	SPORTSTAR- A-71-00-03-01A-941A-D	7	3
E6 04-06 01	0396G	Throttle control	SPORTSTAR- A-71-00-01-01A-941A-D	19	1
E6 04-06 01	0396G	Throttle control	SPORTSTAR- A-71-00-02-01A-941A-D	19	1
E6 04-06 01	0396G	Throttle control	SPORTSTAR- A-71-00-03-01A-941A-D	19	1
E6 04-06 01	0396G	Throttle control	SPORTSTAR- A-76-10-01-01A-941A-D	0	1
E6 04-18 01	0396G	Choke control	SPORTSTAR- A-71-00-01-01A-941A-D	18	1
E6 04-18 01	0396G	Choke control	SPORTSTAR- A-71-00-02-01A-941A-D	18	1
E6 04-18 01	0396G	Choke control	SPORTSTAR- A-71-00-03-01A-941A-D	18	1

Applicability: All

SPORTSTAR-A-00-00-00-00A-942A-A

Illustrated Parts Catalogue

Part Number	NCAGE	Nomenclature	DMC	Item	QNA
E6 04-18 01	0396G	Choke control	SPORTSTAR- A-76-11-01-01A-941A-D	0	1
E6 05-07 01	0396G	Choke	SPORTSTAR- A-76-11-01-01A-941A-D	1	1
E6 05-08 01	0396G	Control rod assem- bled	SPORTSTAR- A-76-11-01-01A-941A-D	7	1
E6 05-09 21	0396G	Body	SPORTSTAR- A-76-11-01-01A-941A-D	6	1
E6 05-10 21	0396G	Handle	SPORTSTAR- A-76-11-01-01A-941A-D	5	1
E6 05-12 21	0396G	Endstop	SPORTSTAR- A-76-11-01-01A-941A-D	8	1
E6 06-01 01	0396G	Throttle control - as- sembly	SPORTSTAR- A-76-10-01-01A-941A-D	3	1
E6 06-02 21	0396G	Throttle cable guide	SPORTSTAR- A-76-10-01-01A-941A-D	5	1
E6 06-03 21	0396G	Nut	SPORTSTAR- A-76-10-01-01A-941A-D	6	1
E6 06-04 21	0396G	Insert	SPORTSTAR- A-76-10-01-01A-941A-D	15	1
E6 06-05 21	0396G	Screw	SPORTSTAR- A-76-10-01-01A-941A-D	7	1
E6 10-02 01	0396G	Air filter bracket	SPORTSTAR- A-71-60-00-01A-941A-D	8	1
E6 10-06 21	0396G	Reduction piece 14-18	SPORTSTAR- A-79-00-00-01A-941A-D	1	3
E6 10-06 21	0396G	Reduction piece 14-18	SPORTSTAR- A-79-00-00-01B-941A-D	1	3
E6 10-06 21	0396G	Reduction piece 14-18	SPORTSTAR- A-79-00-00-01C-941A-D	1	3
E6 10-11 01	0396G	Exhaust with silencer	SPORTSTAR- A-78-20-00-01A-941A-D	1	1
E6 10-19 21	0396G	Strut	SPORTSTAR- A-71-60-00-01A-941A-D	2	1
E6 10-20 01	0396G	Rear exhaust brack- et - assembled	SPORTSTAR- A-71-00-01-01A-941A-D	10	2
E6 10-20 01	0396G	Rear exhaust brack- et - assembled	SPORTSTAR- A-71-00-02-01A-941A-D	10	2
E6 10-20 01	0396G	Rear exhaust brack- et - assembled	SPORTSTAR- A-71-00-03-01A-941A-D	10	2
E6 10-20 21	0396G	Upper bracket	SPORTSTAR- A-71-00-01-01A-941A-D	11	1
E6 10-20 21	0396G	Upper bracket	SPORTSTAR- A-71-00-02-01A-941A-D	11	1
E6 10-20 21	0396G	Upper bracket	SPORTSTAR- A-71-00-03-01A-941A-D	11	1
E6 10-21 21	0396G	Lower bracket	SPORTSTAR- A-71-00-01-01A-941A-D	12	1
E6 10-21 21	0396G	Lower bracket	SPORTSTAR- A-71-00-02-01A-941A-D	12	1
E6 10-21 21	0396G	Lower bracket	SPORTSTAR- A-71-00-03-01A-941A-D	12	1

Applicability: All

SPORTSTAR-A-00-00-00-00A-942A-A

Illustrated Parts Catalogue

Part Number	NCAGE	Nomenclature	DMC	Item	QNA
E6 10-24 21	0396G	Silentblock	SPORTSTAR- A-71-00-01-01A-941A-D	13	1
E6 10-24 21	0396G	Silentblock	SPORTSTAR- A-71-00-02-01A-941A-D	13	1
E6 10-24 21	0396G	Silentblock	SPORTSTAR- A-71-00-03-01A-941A-D	13	1
E6 10-29 21	0396G	Washer	SPORTSTAR- A-79-00-00-01A-941A-D	15	2
E6 10-29 21	0396G	Washer	SPORTSTAR- A-79-00-00-01B-941A-D	15	2
E6 10-29 21	0396G	Washer	SPORTSTAR- A-79-00-00-01C-941A-D	15	2
E6 10-31 01	0396G	Cooler cover	SPORTSTAR- A-79-00-00-01A-941A-D	4	1
E6 10-31 01	0396G	Cooler cover	SPORTSTAR- A-79-00-00-01B-941A-D	4	1
E6 10-31 01	0396G	Cooler cover	SPORTSTAR- A-79-00-00-01C-941A-D	4	1
E6 10-33 01	0396G	Oil thermostat instal- lation	SPORTSTAR- A-79-20-01-01A-941A-D	0	1
E6 13-05 21	0396G	Control knob	SPORTSTAR- A-21-00-00-01A-941A-D	5	3
E6 14-10 21	0396G	Tubing	SPORTSTAR- A-75-00-00-01A-941A-D	12	1
E6 14-11 21	0396G	Tubing	SPORTSTAR- A-75-00-00-01A-941A-D	6	1
E6 14-12 21	0396G	Washer	SPORTSTAR- A-75-00-00-01A-941A-D	23	4
E6 14-13 01	0396G	Overflow bottle	SPORTSTAR- A-75-00-00-01A-941A-D	9	1
E6 14-14 21	0396G	Screw	SPORTSTAR- A-75-00-00-01A-941A-D	14	4
E6 18-10 01	0396G	Exhaust collector	SPORTSTAR- A-78-00-00-01A-941A-D	1	1
E6 18-11 01	0396G	Exhaust pipe - front left	SPORTSTAR- A-78-00-00-01A-941A-D	2	1
E6 18-12 01	0396G	Exhaust pipe - front right	SPORTSTAR- A-78-00-00-01A-941A-D	3	1
E6 18-13 01	0396G	Exhaust pipe - rear left	SPORTSTAR- A-78-00-00-01A-941A-D	4	1
E6 18-14 01	0396G	Exhaust pipe - rear right	SPORTSTAR- A-78-00-00-01A-941A-D	5	1
E6 18-15 01	0396G	Exhaust	SPORTSTAR- A-71-00-01-01A-941A-D	3	1
E6 18-15 01	0396G	Exhaust	SPORTSTAR- A-71-00-02-01A-941A-D	3	1
E6 18-15 01	0396G	Exhaust	SPORTSTAR- A-71-00-03-01A-941A-D	3	1
E6 18-15 01	0396G	Exhaust	SPORTSTAR- A-78-00-00-01A-941A-D	0	1
E6 18-16 01	0396G	Exhaust silencer in- stallation	SPORTSTAR- A-78-20-00-01A-941A-D	0	1

Applicability: All

SPORTSTAR-A-00-00-00-00A-942A-A

Part Number	NCAGE	Nomenclature	DMC	Item	QNA
E6 30-30 01	0396G	Access lid	SPORTSTAR- A-71-10-00-01A-941A-D	5	1
E6 30-30 01	0396G	Access lid	SPORTSTAR- A-71-10-01-01A-941A-D	1	1
E6 30-30 21	0396G	Reinforcement	SPORTSTAR- A-71-10-00-01A-941A-D	6	1
E6 30-30 21	0396G	Reinforcement	SPORTSTAR- A-71-10-01-01A-941A-D	2	1
E6 50-02 21	0396G	Front exhaust bracket	SPORTSTAR- A-71-00-01-01A-941A-D	21	2
E6 50-02 21	0396G	Front exhaust bracket	SPORTSTAR- A-71-00-02-01A-941A-D	21	2
E6 50-02 21	0396G	Front exhaust bracket	SPORTSTAR- A-71-00-03-01A-941A-D	21	2
E6 55-57 01	0396G	Cooler upper holder	SPORTSTAR- A-75-00-00-01A-941A-D	1	1
E6 60-65 21	0396G	Screw coupling of fuel flowmeter	SPORTSTAR- A-34-10-03-01A-941A-D	4	2
E6 60-65 21	0396G	Screw coupling of fuel flowmeter	SPORTSTAR- A-34-10-04-01A-941A-D	4	2
E6 60-65 21	0396G	Screw coupling of fuel flowmeter	SPORTSTAR- A-34-10-06-01A-941A-A	4	2
E6 60-67 21	0396G	Nozzle	SPORTSTAR- A-34-10-03-01A-941A-D	6	1
E6 60-67 21	0396G	Nozzle	SPORTSTAR- A-34-10-04-01A-941A-D	6	1
E6 60-67 21	0396G	Nozzle	SPORTSTAR- A-34-10-06-01A-941A-A	6	1
E6 65-04 21	0396G	Cooler holder	SPORTSTAR- A-79-00-00-01A-941A-D	2	1
E6 65-05 21	0396G	Cooler strut	SPORTSTAR- A-79-00-00-01A-941A-D	3	2
E6 65-68 21	0396G	Bracket	SPORTSTAR- A-34-10-03-01A-941A-D	2	2
E6 65-68 21	0396G	Bracket	SPORTSTAR- A-34-10-04-01A-941A-D	2	2
E6 65-68 21	0396G	Bracket	SPORTSTAR- A-34-10-06-01A-941A-A	2	2
E7 24-01 01	0396G	Manifold pressure indicator	SPORTSTAR- A-77-10-01-01A-941A-D	0	1
E7 26-40 01	0396G	Magnetic compass	SPORTSTAR- A-34-20-01-01A-941A-D	0	1
E7 29-01 21	0396G	Screw coupling of fuel pressure sensor	SPORTSTAR- A-34-10-03-01A-941A-D	3	1
E7 29-01 21	0396G	Screw coupling of fuel pressure sensor	SPORTSTAR- A-34-10-04-01A-941A-D	3	2
E7 29-01 21	0396G	Screw coupling of fuel pressure sensor	SPORTSTAR- A-34-10-06-01A-941A-A	3	2
E7 30-01 01	0396G	Turn and bank indicator	SPORTSTAR- A-34-20-04-01A-941A-D	0	1
E7 31-01 01	0396G	Turn and bank indicator RCA82	SPORTSTAR- A-34-20-05-01A-941A-D	0	1

Applicability: All

SPORTSTAR-A-00-00-00-00A-942A-A

Illustrated Parts Catalogue

Part Number	NCAGE	Nomenclature	DMC	Item	QNA
E7 34-01 01	0396G	Artificial horizon RCA 26AK installation	SPORTSTAR-A-34-20-02-01A-941A-D	0	1
E7 38-01 01	0396G	Directional gyro	SPORTSTAR-A-34-20-03-01A-941A-D	0	1
E7 40-01 01	0396G	Flight clock LC-2	SPORTSTAR-A-31-20-02-01A-941A-D	0	1
E7 47-01 01	0396G	Canopy closed signalling	SPORTSTAR-A-31-50-01-01A-941A-D	0	1
E7 47-50 01	0396G	Wing flaps retraction signalling	SPORTSTAR-A-31-50-02-01A-941A-D	0	1
E7 47-50 21	0396G	Lever	SPORTSTAR-A-31-50-02-01A-941A-D	1	1
E7 48-01 01	0396G	Stall warning system	SPORTSTAR-A-27-32-00-01A-941A-D	0	1
E7 52-00 99	0396G	Trim tab position indicator	SPORTSTAR-A-27-31-00-01A-941A-D	52	1
E7 59-01 01	0396G	Flight instruments LUN	SPORTSTAR-A-34-12-00-01A-941A-D	0	1
E7 59-11 01	0396G	Backup flight instruments LUN	SPORTSTAR-A-34-15-00-01A-941A-D	0	1
E7 59-11 99	0396G	Lighting of LUN backup flight instruments	SPORTSTAR-A-33-10-03-01A-941A-D	0	1
E7 60-01 01	0396G	Flight instruments - China	SPORTSTAR-A-34-13-00-01A-941A-D	0	1
E7 62-50 01	0396G	Backup flight instruments UMA	SPORTSTAR-A-34-16-00-01A-941A-D	0	1
E7 65-20 01	0396G	Outside air thermometer	SPORTSTAR-A-34-10-01-01A-941A-D	0	1
E7 65-21 21	0396G	Bracket	SPORTSTAR-A-34-10-01-01A-941A-D	1	1
E7 65-30 01	0396G	Voltmeter	SPORTSTAR-A-24-30-02-01A-941A-D	0	1
E7 68-01 01	0396G	DC generation	SPORTSTAR-A-24-30-00-01A-941A-D	0	1
E7 68-02 21	0396G	Connecting piece	SPORTSTAR-A-24-30-00-01A-941A-D	2	1
E7 68-02 21	0396G	Connecting piece	SPORTSTAR-A-24-31-00-01A-941A-D	2	2
E7 68-02 21	0396G	Connecting piece	SPORTSTAR-A-24-31-00-01B-941A-D	2	1
E7 68-02 21	0396G	Connecting piece	SPORTSTAR-A-24-31-00-01C-941A-D	2	1
E7 68-02 21	0396G	Connecting piece	SPORTSTAR-A-24-60-01-01A-941A-D	1	1
E7 68-10 01	0396G	Circuit breaker installation	SPORTSTAR-A-24-60-01-01A-941A-D	0	1
E7 68-20 01	0396G	Rectifier capacitor	SPORTSTAR-A-24-30-01-01A-941A-D	0	1
E7 68-31 01	0396G	DC generation with auxiliary generator	SPORTSTAR-A-24-31-00-01A-941A-D	0	1
E7 68-69 01	0396G	Avionics switch	SPORTSTAR-A-24-60-02-01A-941A-D	0	1

Applicability: All

SPORTSTAR-A-00-00-00-00A-942A-A



Illustrated Parts Catalogue

Part Number	NCAGE	Nomenclature	DMC	Item	QNA
E7 68-91 01	0396G	External power	SPORTSTAR- A-24-40-00-01A-941A-D	0	1
E7 68-92 21	0396G	Reinforcement	SPORTSTAR- A-24-40-00-01A-941A-D	1	1
E7 91-10 01	0396G	Position and strobe lights Whelen 90340	SPORTSTAR- A-33-40-02-01A-941A-D	0	1
E7 95-10 01	0396G	Landing light installation - Whelen 71141	SPORTSTAR- A-33-40-01-01A-941A-D	0	1
E7 95-11 21	0396G	Bracket	SPORTSTAR- A-33-40-01-01A-941A-D	2	1
E7 95-11 21	0396G	Bracket	SPORTSTAR- A-33-40-01-01B-941A-D	2	1
E7 95-11 21	0396G	Bracket	SPORTSTAR- A-33-40-01-01C-941A-D	2	1
E7 95-11 21	0396G	Bracket	SPORTSTAR- A-33-40-01-01D-941A-D	2	1
E7 95-12 21	0396G	Mount	SPORTSTAR- A-33-40-01-01A-941A-D	3	1
E7 95-12 21	0396G	Mount	SPORTSTAR- A-33-40-01-01B-941A-D	3	1
E7 95-12 21	0396G	Mount	SPORTSTAR- A-33-40-01-01C-941A-D	3	1
E7 95-12 21	0396G	Mount	SPORTSTAR- A-33-40-01-01D-941A-D	3	1
E7 99-10 01	0396G	Instrument lighting with regulator	SPORTSTAR- A-33-10-02-01A-941A-D	0	1
E7 99-11 01	0396G	Instrument lighting regulator	SPORTSTAR- A-33-10-02-01A-941A-D	11	1
E7 99-11 01	0396G	Instrument lighting regulator	SPORTSTAR- A-33-10-04-01A-941A-D	0	1
E7 99-12 21	0396G	Instrument lighting regulator cooler	SPORTSTAR- A-33-10-04-01A-941A-D	10	1
E7 99-13 01	0396G	Potentiometer	SPORTSTAR- A-33-10-02-01A-941A-D	12	1
E7 99-13 01	0396G	Potentiometer	SPORTSTAR- A-33-10-06-01A-941A-D	0	1
E7 99-13 21	0396G	Instrument lighting regulator cover	SPORTSTAR- A-33-10-04-01A-941A-D	30	1
E7 99-14 01	0396G	Printed circuit board with parts	SPORTSTAR- A-33-10-04-01A-941A-D	20	1
E8 00-06 01	0396G	Circuit breaker panel - additional	SPORTSTAR- A-39-10-02-01B-941A-D	0	1
E8 00-49 01	0396G	Bowden wire	SPORTSTAR- A-21-00-00-01A-941A-D	8	3
E8 00-49 02	0396G	Bracket	SPORTSTAR- A-21-00-00-01A-941A-D	7	2
E8 01-01 21	0396G	Hinge	SPORTSTAR- A-25-10-02-01A-941A-D	3	1
E8 01-13 01	0396G	Control stick sleeve	SPORTSTAR- A-25-11-07-01A-941A-D	1	1
E8 01-19 01_001	0396G	Placard FLAPS	SPORTSTAR- A-31-50-02-01A-941A-D	2	1

Applicability: All

SPORTSTAR-A-00-00-00-00A-942A-A

Illustrated Parts Catalogue

Part Number	NCAGE	Nomenclature	DMC	Item	QNA
E8 01-47 21	0396G	Backrest plate	SPORTSTAR-A-25-10-01-01A-941A-D	1	2
E8 01-50 01	0396G	Pilot seats	SPORTSTAR-A-25-10-01-01A-941A-D	0	1
E8 01-51 01	0396G	Seat backrest	SPORTSTAR-A-25-10-01-01A-941A-D	2	2
E8 01-53 01	0396G	Seat bolster - left	SPORTSTAR-A-25-10-01-01A-941A-D	3	1
E8 01-53 02	0396G	Seat bolster - right	SPORTSTAR-A-25-10-01-01A-941A-D	4	1
E8 03-07 21	0396G	Circuit breaker panel	SPORTSTAR-A-39-10-02-01B-941A-D	10	1
E8 03-08 21	0396G	Bracket	SPORTSTAR-A-24-31-00-01A-941A-D	3	1
E8 03-08 21	0396G	Bracket	SPORTSTAR-A-24-31-00-01B-941A-D	3	1
E8 03-08 21	0396G	Bracket	SPORTSTAR-A-24-31-00-01C-941A-D	3	1
E8 03-08 21	0396G	Bracket	SPORTSTAR-A-27-32-00-01A-941A-D	1	1
E8 03-08 21	0396G	Bracket	SPORTSTAR-A-33-10-02-01A-941A-D	1	1
E8 03-08 21	0396G	Bracket	SPORTSTAR-A-34-10-03-01A-941A-D	1	2
E8 03-08 21	0396G	Bracket	SPORTSTAR-A-34-10-04-01A-941A-D	1	2
E8 03-08 21	0396G	Bracket	SPORTSTAR-A-34-10-06-01A-941A-A	1	2
E8 09-11 01	0396G	Placard	SPORTSTAR-A-39-10-01-01A-941A-D	6	1
E8 59-52 01	0396G	Seat - left	SPORTSTAR-A-25-10-01-01A-941A-D	5	1
E8 59-52 02	0396G	Seat - right	SPORTSTAR-A-25-10-01-01A-941A-D	6	1
E8 70-00 01	0396G	Baggage department upholstery	SPORTSTAR-A-25-50-01-01A-941A-D	0	1
E8 80-01 01	0396G	Safety belt	SPORTSTAR-A-25-10-02-01A-941A-D	1	2
E8 80-02 01	0396G	Evektor logo	SPORTSTAR-A-25-11-00-01A-941A-D	17	1
E9 00-11 03	0396G	Pad for jacks	SPORTSTAR-A-10-00-01-01A-941A-D	41	3
E9 40-00 01	0396G	Wheel chock	SPORTSTAR-A-10-00-01-01A-941A-D	3	2
E9 50-00 21	0396G	Protective sleeve	SPORTSTAR-A-25-60-04-01A-941A-D	1	1
E9 60-00 01	0396G	Canopy cover	SPORTSTAR-A-10-00-01-01A-941A-D	1	1
G4 01-18 01	0396G	Pull rod - short	SPORTSTAR-A-32-50-00-01A-941A-D	2	1
G4 01-20 01	0396G	Pull rod - long	SPORTSTAR-A-32-50-00-01A-941A-D	1	1

Applicability: All

SPORTSTAR-A-00-00-00-00A-942A-A

Part Number	NCAGE	Nomenclature	DMC	Item	QNA
G4 02-03 01	0396G	Bearing	SPORTSTAR- A-27-20-01-01A-941A-D	3	6
G4 02-03 01	0396G	Bearing	SPORTSTAR- A-27-20-01-01B-941A-D	3	6
G4 04-08 21	0396G	Latch	SPORTSTAR- A-27-20-04-01A-941A-D	2	4
G4 18-01 21	0396G	Pull rod bar - short	SPORTSTAR- A-32-50-00-01A-941A-D	10	1
G4 20-01 21	0396G	Pull rod bar - long	SPORTSTAR- A-32-50-00-01A-941A-D	9	1
G5 00-01 01	0396G	Landing gear leg	SPORTSTAR- A-32-20-00-01A-941A-D	1	1
G5 00-01 21	0396G	Bushing	SPORTSTAR- A-32-20-00-01A-941A-D	46	1
G5 00-02 21	0396G	Bushing	SPORTSTAR- A-32-20-00-01A-941A-D	6	1
G5 00-03 01	0396G	End stop	SPORTSTAR- A-32-20-00-01A-941A-D	3	1
G5 00-03 21	0396G	Ring	SPORTSTAR- A-32-20-00-01A-941A-D	45	1
G5 00-04 01	0396G	Torque arm	SPORTSTAR- A-32-20-00-01A-941A-D	4	2
G5 00-04 21	0396G	Insert	SPORTSTAR- A-32-20-00-01A-941A-D	7	13
G5 00-05 21	0396G	Nut	SPORTSTAR- A-32-20-00-01A-941A-D	8	1
G5 00-06 21	0396G	Plug	SPORTSTAR- A-32-20-00-01A-941A-D	9	1
G5 00-07 21	0396G	Pad	SPORTSTAR- A-32-20-00-01A-941A-D	10	1
G5 00-08 21	0396G	Pad	SPORTSTAR- A-32-20-00-01A-941A-D	11	1
G5 00-13 21	0396G	Bushing	SPORTSTAR- A-32-20-00-01A-941A-D	17	1
G5 00-16 01	0396G	Sleeve	SPORTSTAR- A-32-20-00-01A-941A-D	18	1
G5 04-03 21	0396G	Bushing	SPORTSTAR- A-32-20-00-01A-941A-D	43	2
S 20-15 21	0396G	Screw	SPORTSTAR- A-32-10-00-01A-941A-D	20	8
S0 00-15 01S	0396G	Set of spare material	SPORTSTAR- A-10-00-01-01A-941A-D	5	1
S0 00-22 01	0396G	Stabilizers	SPORTSTAR- A-55-00-00-01A-941A-D	0	1
S0 00-25 01	0396G	Assembly hole sleeves and covers	SPORTSTAR- A-53-10-01-01A-941A-D	0	1
S0 00-26 21	0396G	Wing hinge covering	SPORTSTAR- A-53-10-01-01A-941A-D	3	2
S0 00-27 21	0396G	Covering	SPORTSTAR- A-53-10-01-01A-941A-D	4	2
S0 00-28 21	0396G	Landing gear hole covering	SPORTSTAR- A-53-10-01-01A-941A-D	5	2

Applicability: All

SPORTSTAR-A-00-00-00-00A-942A-A

Illustrated Parts Catalogue

Part Number	NCAGE	Nomenclature	DMC	Item	QNA
S0 00-31 01	0396G	Cockpit canopy sealing	SPORTSTAR-A-52-10-02-01A-941A-D	0	1
S0 00-31 01	0396G	Cockpit canopy sealing	SPORTSTAR-A-52-10-02-01B-941A-D	0	1
S0 20-00 21	0396G	Spacing washer	SPORTSTAR-A-57-10-01-01A-941A-D	6	4
S1 00-13 01	0396G	Tail skid installation	SPORTSTAR-A-53-20-01-01A-941A-D	0	1
S1 00-50 01	0396G	Parachute rescue system Magnum Speed Soft 601	SPORTSTAR-A-25-60-04-01A-941A-D	0	1
S1 01-40 21	0396G	Anchoring piece	SPORTSTAR-A-53-20-01-01A-941A-D	3	1
S1 02-12 21	0396G	Reinforcement	SPORTSTAR-A-34-11-00-01B-941A-D	1	1
S1 02-13 22	0396G	Reinforcement R	SPORTSTAR-A-34-11-00-01D-941A-D	1	1
S1 02-14 21	0396G	Lid	SPORTSTAR-A-34-11-00-01D-941A-D	2	1
S1 02-14 21	0396G	Lid	SPORTSTAR-A-53-20-02-01A-941A-D	2	1
S1 45-05 21	0396G	Holder of activation lever	SPORTSTAR-A-25-60-04-01A-941A-D	6	1
S1 45-46 01	0396G	Bracket	SPORTSTAR-A-25-60-04-01A-941A-D	5	3
S1 48-04 21	0396G	Mounting base for rocket housing	SPORTSTAR-A-25-60-04-01A-941A-D	7	1
S1 48-05 21	0396G	Bracket - upper	SPORTSTAR-A-25-60-04-01A-941A-D	11	1
S1 48-06 21	0396G	Bracket - lower	SPORTSTAR-A-25-60-04-01A-941A-D	12	1
S1 55-64 01	0396G	Lanyard cover	SPORTSTAR-A-25-60-04-01A-941A-D	40	1
S1 55-66 01	0396G	Cockpit canopy installation	SPORTSTAR-A-52-10-00-01A-941A-D	0	1
S1 55-72 01	0396G	Fin fairing	SPORTSTAR-A-53-50-02-01A-941A-D	4	1
S1 55-75 21	0396G	Nut	SPORTSTAR-A-52-10-00-01A-941A-D	8	1
S1 57-04 21	0396G	Fixed canopy glass	SPORTSTAR-A-56-10-00-01A-941A-D	2	1
S1 57-07 21	0396G	Guiding pin sheet - left	SPORTSTAR-A-52-10-00-01A-941A-D	28	1
S1 57-07 22	0396G	Guiding pin sheet - right	SPORTSTAR-A-52-10-00-01A-941A-D	29	1
S1 57-08 21	0396G	Pad	SPORTSTAR-A-52-10-00-01A-941A-D	32	2
S1 57-10 01	0396G	Round venting window	SPORTSTAR-A-52-10-04-01A-941A-D	0	1
S1 65-01 21	0396G	Hinge base	SPORTSTAR-A-52-10-00-01A-941A-D	13	2
S1 65-03 21	0396G	Lock pin	SPORTSTAR-A-52-10-00-01A-941A-D	15	1

Applicability: All

SPORTSTAR-A-00-00-00-00A-942A-A

Illustrated Parts Catalogue

Part Number	NCAGE	Nomenclature	DMC	Item	QNA
S1 65-04 21	0396G	Pad	SPORTSTAR- A-52-10-00-01A-941A-D	11	1
S1 65-07 21	0396G	Lock lever	SPORTSTAR- A-52-10-00-01A-941A-D	17	1
S1 65-08 21	0396G	Spacer	SPORTSTAR- A-52-10-00-01A-941A-D	20	2
S1 65-11 01	0396G	Left strut hinge	SPORTSTAR- A-52-10-00-01A-941A-D	14	1
S1 65-11 02	0396G	Right strut hinge	SPORTSTAR- A-52-10-00-01A-941A-D	16	1
S1 65-68 01	0396G	Cockpit canopy - tinted	SPORTSTAR- A-52-10-00-01A-941A-D	1	1
S1 65-74 01	0396G	Cockpit canopy lock	SPORTSTAR- A-52-10-00-01A-941A-D	5	1
S1 65-74 01	0396G	Cockpit canopy lock	SPORTSTAR- A-52-10-01-01A-941A-D	0	1
S1 66-02 21	0396G	Canopy glass	SPORTSTAR- A-56-10-00-01A-941A-D	1	1
S1 66-70 01	0396G	Armrest - left	SPORTSTAR- A-25-11-05-01A-941A-D	1	1
S1 66-70 02	0396G	Armrest - right	SPORTSTAR- A-25-11-05-01A-941A-D	2	1
S1 66-71 01	0396G	Glareshield	SPORTSTAR- A-52-10-06-01A-941A-D	1	1
S1 66-72 01	0396G	Glareshield NVFR	SPORTSTAR- A-52-10-06-01B-941A-D	1	1
S1 74-01 21	0396G	Nut	SPORTSTAR- A-52-10-01-01A-941A-D	3	1
S1 74-03 21	0396G	Pin	SPORTSTAR- A-32-41-00-01B-941A-D	3	1
S1 74-03 21	0396G	Pin	SPORTSTAR- A-32-41-04-01A-941A-A	3	1
S1 74-03 21	0396G	Pin	SPORTSTAR- A-32-41-06-01A-941A-D	3	1
S1 74-03 21	0396G	Pin	SPORTSTAR- A-52-10-01-01A-941A-D	6	2
S1 74-04 21	0396G	Lock handle - outer	SPORTSTAR- A-52-10-01-01A-941A-D	1	1
S1 74-05 21	0396G	Lock body	SPORTSTAR- A-52-10-01-01A-941A-D	2	1
S1 74-06 21	0396G	Spacer	SPORTSTAR- A-52-10-00-01A-941A-D	12	2
S1 74-07 21	0396G	Handle	SPORTSTAR- A-32-41-00-01B-941A-D	4	2
S1 74-07 21	0396G	Handle	SPORTSTAR- A-32-41-04-01A-941A-A	4	1
S1 74-07 21	0396G	Handle	SPORTSTAR- A-32-41-06-01A-941A-D	4	1
S1 74-09 21	0396G	Reinforcement	SPORTSTAR- A-52-10-01-01A-941A-D	15	1
S1 74-10 21	0396G	Spring	SPORTSTAR- A-52-10-01-01A-941A-D	19	1

Applicability: All

SPORTSTAR-A-00-00-00-00A-942A-A

Illustrated Parts Catalogue

Part Number	NCAGE	Nomenclature	DMC	Item	QNA
S1 74-16 01	0396G	Lock handle - inner	SPORTSTAR-A-52-10-01-01A-941A-D	4	1
S1 74-81 01	0396G	Lock	SPORTSTAR-A-52-10-01-01A-941A-D	8	1
S1 80-21 01	0396G	Cover sheet	SPORTSTAR-A-53-20-02-01A-941A-D	4	1
S1 82-01 01	0396G	Glareshield installation	SPORTSTAR-A-52-10-06-01A-941A-D	0	1
S1 84-01 01	0396G	Upper cover	SPORTSTAR-A-53-30-01-01A-941A-D	1	1
S1 84-03 21	0396G	Padding - left	SPORTSTAR-A-52-10-02-01A-941A-D	10	1
S1 84-03 22	0396G	Padding - right	SPORTSTAR-A-52-10-02-01A-941A-D	11	1
S1 84-04 21	0396G	Sealing piece - left	SPORTSTAR-A-52-10-02-01A-941A-D	13	1
S1 84-04 22	0396G	Sealing piece - right	SPORTSTAR-A-52-10-02-01A-941A-D	14	1
S1 84-06 21	0396G	Sealing strip	SPORTSTAR-A-52-10-02-01A-941A-D	4	2
S1 84-06 21	0396G	Sealing strip	SPORTSTAR-A-52-10-02-01B-941A-D	4	2
S2 01-03 01	0396G	Flap	SPORTSTAR-A-57-50-00-01A-941A-D	1	1
S2 01-03 02	0396G	Flap	SPORTSTAR-A-57-50-00-01A-941A-D	2	1
S2 01-04 01	0396G	Aileron	SPORTSTAR-A-57-60-00-01A-941A-D	1	1
S2 01-04 02	0396G	Aileron	SPORTSTAR-A-57-60-00-01A-941A-D	2	1
S3 00-01 01	0396G	Horizontal stabilizer	SPORTSTAR-A-55-00-00-01A-941A-D	1	1
S3 00-04 01	0396G	Rudder	SPORTSTAR-A-55-00-00-01A-941A-D	2	1
S3 00-05 01	0396G	Elevator	SPORTSTAR-A-55-00-00-01A-941A-D	3	1
S3 00-08 01	0396G	Rudder ledge	SPORTSTAR-A-55-40-01-01A-941A-D	0	1
S3 00-08 21	0396G	Ledge	SPORTSTAR-A-55-40-01-01A-941A-D	1	2
S3 03-40 01	0396G	Pitch trim	SPORTSTAR-A-27-31-00-01A-941A-D	0	1
S4 01-04 01	0396G	Pull-rod	SPORTSTAR-A-27-10-00-01A-941A-D	1	1
S4 01-04 01	0396G	Pull-rod	SPORTSTAR-A-27-10-02-01A-941A-D	0	1
S4 01-08 01	0396G	Torsion shaft	SPORTSTAR-A-27-50-03-01A-941A-D	2	1
S4 01-09 01	0396G	Pull-rod in the cockpit	SPORTSTAR-A-27-30-00-01A-941A-D	2	1
S4 01-09 01	0396G	Pull-rod in the cockpit	SPORTSTAR-A-27-30-02-01A-941A-D	0	1

Applicability: All

SPORTSTAR-A-00-00-00-00A-942A-A

Illustrated Parts Catalogue

Part Number	NCAGE	Nomenclature	DMC	Item	QNA
S4 01-10 01	0396G	Pull-rod in the fuselage - aft	SPORTSTAR-A-27-30-06-01A-941A-A	0	1
S4 01-11 01	0396G	Bellcrank	SPORTSTAR-A-27-10-00-01A-941A-D	7	2
S4 01-11 01	0396G	Bellcrank	SPORTSTAR-A-27-10-05-01A-941A-D	0	1
S4 01-12 01	0396G	Pull-rod in the fuselage - front	SPORTSTAR-A-27-30-00-01A-941A-D	3	2
S4 01-12 01	0396G	Pull-rod in the fuselage - front	SPORTSTAR-A-27-30-04-01A-941A-D	0	1
S4 01-13 01	0396G	Pull-rod	SPORTSTAR-A-27-10-00-01A-941A-D	2	2
S4 01-13 01	0396G	Pull-rod	SPORTSTAR-A-27-10-03-01A-941A-D	0	1
S4 01-13 01	0396G	Pull-rod	SPORTSTAR-A-27-10-04-01A-941A-D	0	1
S4 01-14 01	0396G	Pull-rod	SPORTSTAR-A-27-10-00-01A-941A-D	3	2
S4 01-15 01	0396G	Pull-rod	SPORTSTAR-A-27-10-00-01A-941A-D	4	2
S4 01-15 01	0396G	Pull-rod	SPORTSTAR-A-27-10-06-01A-941A-D	0	1
S4 01-16 01	0396G	Flaps control lever - assembled	SPORTSTAR-A-27-50-01-01A-941A-D	1	1
S4 01-20 01	0396G	Flaps control pull-rod	SPORTSTAR-A-27-50-01-01A-941A-D	2	1
S4 01-20 01	0396G	Flaps control pull-rod	SPORTSTAR-A-27-50-02-01A-941A-D	0	1
S4 01-21 01	0396G	Tube	SPORTSTAR-A-27-50-02-01A-941A-D	1	2
S4 01-28 21	0396G	Pad	SPORTSTAR-A-27-10-00-01A-941A-D	15	4
S4 01-29 21	0396G	Screw - modified	SPORTSTAR-A-27-10-00-01A-941A-D	6	4
S4 01-30 21	0396G	Spacer ring	SPORTSTAR-A-27-10-00-01A-941A-D	5	8
S4 01-31 21	0396G	Spacer	SPORTSTAR-A-27-10-01-01A-941A-D	3	2
S4 01-32 21	0396G	Spacer	SPORTSTAR-A-27-30-03-01A-941A-D	3	1
S4 02-42 21	0396G	Nut	SPORTSTAR-A-27-20-03-01A-941A-D	3	4
S4 02-43 21	0396G	Screw	SPORTSTAR-A-27-20-03-01A-941A-D	4	4
S4 04-04 21	0396G	Control stick handle	SPORTSTAR-A-25-11-00-01A-941A-D	18	2
S4 04-0421	0396G	Handle	SPORTSTAR-A-27-10-01-01A-941A-D	6	2
S4 04-05 21	0396G	Flaps lever handle	SPORTSTAR-A-25-11-00-01A-941A-D	19	1
S4 04-06 01	0396G	Flaps lever rubber sleeve	SPORTSTAR-A-25-11-02-01A-941A-D	0	1

Applicability: All

SPORTSTAR-A-00-00-00-00A-942A-A

Illustrated Parts Catalogue

Part Number	NCAGE	Nomenclature	DMC	Item	QNA
S4 04-08 01	0396G	Rubber sleeve	SPORTSTAR- A-25-11-02-01A-941A-D	1	1
S4 10-01 21	0396G	Tube	SPORTSTAR- A-27-30-06-01A-941A-A	1	1
S4 70-00 01	0396G	Foot control counter- shaft - left	SPORTSTAR- A-27-20-01-01A-941A-D	1	1
S4 70-00 02	0396G	Foot control counter- shaft - right	SPORTSTAR- A-27-20-01-01A-941A-D	2	1
S4 70-02 01	0396G	Countershaft - left	SPORTSTAR- A-27-20-02-01A-941A-D	3	1
S4 70-02 02	0396G	Countershaft - right	SPORTSTAR- A-27-20-02-01A-941A-D	11	1
S4 70-02 02	0396G	Countershaft - right	SPORTSTAR- A-27-20-02-01B-941A-D	8	1
S4 70-02 21	0396G	Lever	SPORTSTAR- A-27-20-04-01A-941A-D	1	4
S4 70-03 01	0396G	Pedal	SPORTSTAR- A-27-20-02-01A-941A-D	1	1
S4 70-03 01	0396G	Pedal	SPORTSTAR- A-27-20-02-01B-941A-D	2	1
S4 70-04 01	0396G	Pedal	SPORTSTAR- A-27-20-02-01A-941A-D	2	1
S4 70-04 01	0396G	Pedal	SPORTSTAR- A-27-20-02-01B-941A-D	3	1
S4 70-05 01	0396G	Pedal	SPORTSTAR- A-27-20-02-01A-941A-D	9	1
S4 70-05 01	0396G	Pedal	SPORTSTAR- A-27-20-02-01B-941A-D	9	1
S4 70-06 01	0396G	Pedal	SPORTSTAR- A-27-20-02-01A-941A-D	10	1
S4 70-06 01	0396G	Pedal	SPORTSTAR- A-27-20-02-01B-941A-D	10	1
S4 72-00 01	0396G	Foot control counter- shaft - left	SPORTSTAR- A-27-20-01-01B-941A-D	1	1
S4 72-00 01	0396G	Foot control counter- shaft - left	SPORTSTAR- A-27-20-04-01B-941A-D	1	1
S4 72-00 02	0396G	Foot control counter- shaft - right	SPORTSTAR- A-27-20-01-01B-941A-D	2	1
S4 72-00 02	0396G	Foot control counter- shaft - right	SPORTSTAR- A-27-20-04-01B-941A-D	2	1
S4 72-01 01	0396G	Countershaft - left	SPORTSTAR- A-27-20-02-01B-941A-D	1	1
S4 72-05 21	0396G	Clutch	SPORTSTAR- A-27-20-04-01B-941A-D	8	4
S4 72-06 01	0396G	Lever	SPORTSTAR- A-27-20-04-01B-941A-D	7	4
S4 72-09 21	0396G	Spring	SPORTSTAR- A-27-20-04-01B-941A-D	9	4
S4 72-10 21	0396G	Control lever - left	SPORTSTAR- A-27-20-04-01B-941A-D	3	1
S4 72-10 22	0396G	Control lever - right	SPORTSTAR- A-27-20-04-01B-941A-D	4	1

Applicability: All

SPORTSTAR-A-00-00-00-00A-942A-A

Part Number	NCAGE	Nomenclature	DMC	Item	QNA
S4 72-11 21	0396G	Washer	SPORTSTAR- A-27-20-04-01B-941A-D	5	2
S4 72-12 21	0396G	Bracket	SPORTSTAR- A-27-20-04-01B-941A-D	6	4
S4 92-10 01	0396G	Pedal sleeve	SPORTSTAR- A-27-20-01-01A-941A-D	19	2
S4 92-10 01	0396G	Pedal sleeve	SPORTSTAR- A-27-20-01-01B-941A-D	19	2
S5 00-03 01	0396G	Nose landing gear	SPORTSTAR- A-32-20-00-01A-941A-D	0	1
S5 00-06 01	0396G	Main landing gear	SPORTSTAR- A-32-10-00-01A-941A-D	0	2
S5 00-09 21	0396G	Spacer	SPORTSTAR- A-32-20-00-01A-941A-D	12	1
S5 00-10 01	0396G	Nose wheel pant - front	SPORTSTAR- A-32-20-01-01A-941A-D	5	1
S5 00-10 21	0396G	Spacer	SPORTSTAR- A-32-20-00-01A-941A-D	13	1
S5 00-11 01	0396G	Nose wheel pant - rear	SPORTSTAR- A-32-20-01-01A-941A-D	6	1
S5 00-21 21	0396G	Bolt	SPORTSTAR- A-32-10-00-01A-941A-D	10	2
S5 00-21 21	0396G	Bolt	SPORTSTAR- A-32-10-00-01B-941A-D	10	2
S5 00-30 01	0396G	Main landing gear - Matco wheels and brakes	SPORTSTAR- A-32-10-00-01B-941A-D	0	2
S5 00-32 21	0396G	Reduction	SPORTSTAR- A-32-10-00-01B-941A-D	6	8
S5 00-35 21	0396G	Extender	SPORTSTAR- A-32-10-01-01B-941A-D	8	2
S5 00-37 21	0396G	Insert	SPORTSTAR- A-32-10-00-01B-941A-D	11	2
S5 00-40 01	0396G	Goodyear tire installation	SPORTSTAR- A-32-40-02-01A-941A-D	0	1
S5 00-51 01	0396G	Brake system	SPORTSTAR- A-32-41-00-01A-941A-D	0	1
S5 00-61 01	0396G	Brake system - Matco brakes	SPORTSTAR- A-32-41-00-01B-941A-D	0	1
S5 00-67 21	0396G	Connection	SPORTSTAR- A-32-41-00-01B-941A-D	210	1
S5 01-11 21	0396G	Towing eye - left	SPORTSTAR- A-32-20-00-01A-941A-D	19	1
S5 01-11 22	0396G	Towing eye - right	SPORTSTAR- A-32-20-00-01A-941A-D	20	1
S5 02-04 01	0396G	Lever - assembled	SPORTSTAR- A-32-20-00-01A-941A-D	2	1
S5 02-04 21	0396G	Lever	SPORTSTAR- A-32-20-00-01A-941A-D	42	1
S5 08-09 01	0396G	Landing gear leg - left	SPORTSTAR- A-32-10-00-01A-941A-D	23	1
S5 08-09 01	0396G	Landing gear leg - left	SPORTSTAR- A-32-10-00-01B-941A-D	3	1

Applicability: All

SPORTSTAR-A-00-00-00-00A-942A-A

Part Number	NCAGE	Nomenclature	DMC	Item	QNA
S5 08-09 02	0396G	Landing gear leg - right	SPORTSTAR-A-32-10-00-01A-941A-D	24	1
S5 08-09 02	0396G	Landing gear leg - right	SPORTSTAR-A-32-10-00-01B-941A-D	4	1
S5 10-00 01	0396G	Wheel with brake - left	SPORTSTAR-A-32-10-00-01A-941A-D	1	1
S5 10-00 01/02	0396G	Wheel with brake left / right	SPORTSTAR-A-32-40-03-01A-941A-D	0	1
S5 10-00 02	0396G	Wheel with brake - right	SPORTSTAR-A-32-10-00-01A-941A-D	2	1
S5 10-01 01	0396G	Inner wheel disk - assembled	SPORTSTAR-A-32-40-01-01A-941A-D	2	1
S5 10-01 01	0396G	Inner wheel disk - assembled	SPORTSTAR-A-32-40-03-01A-941A-D	2	1
S5 10-01 21	0396G	Inner wheel disk	SPORTSTAR-A-32-40-03-01A-941A-D	21	1
S5 10-03 01 / 02	0396G	Wheel brake left / right	SPORTSTAR-A-32-40-03-01A-941A-D	3	1
S5 10-03 01 / 02	0396G	Wheel brake left / right	SPORTSTAR-A-32-41-01-01A-941A-D	0	2
S5 10-03 21	0396G	Brake holder	SPORTSTAR-A-32-10-00-01A-941A-D	28	2
S5 10-03 24	0396G	Brake holder	SPORTSTAR-A-32-41-01-01A-941A-D	13	1
S5 10-04 21	0396G	Bolt	SPORTSTAR-A-32-10-00-01A-941A-D	11	2
S5 10-04 21	0396G	Bolt	SPORTSTAR-A-32-10-00-01B-941A-D	21	2
S5 10-10 01	0396G	Assembled landing gear leg - left	SPORTSTAR-A-32-10-00-01A-941A-D	5	1
S5 10-10 02	0396G	Assembled landing gear leg - right	SPORTSTAR-A-32-10-00-01A-941A-D	6	1
S5 10-11 21	0396G	Wheel axle	SPORTSTAR-A-32-10-00-01A-941A-D	18	2
S5 10-12 21	0396G	Spacer	SPORTSTAR-A-32-10-00-01A-941A-D	26	2
S5 10-12 21	0396G	Spacer	SPORTSTAR-A-32-40-03-01A-941A-D	6	1
S5 10-13 21	0396G	Safety pin	SPORTSTAR-A-32-41-01-01A-941A-D	11	1
S5 20-01 01	0396G	Inner brake pump	SPORTSTAR-A-32-41-00-01A-941A-D	1	2
S5 20-01 01	0396G	Inner brake pump	SPORTSTAR-A-32-41-03-01A-941A-D	0	2
S5 20-01 21	0396G	Brake pump body	SPORTSTAR-A-32-41-03-01A-941A-D	1	1
S5 20-02 21	0396G	Lid	SPORTSTAR-A-32-41-03-01A-941A-D	3	1
S5 20-03 21	0396G	Piston	SPORTSTAR-A-32-41-03-01A-941A-D	4	1
S5 30-00 01	0396G	Main wheel pant	SPORTSTAR-A-32-10-01-01A-941A-D	0	2

Part Number	NCAGE	Nomenclature	DMC	Item	QNA
S5 30-00 01	0396G	Main wheel pant	SPORTSTAR- A-32-20-01-01A-941A-D	0	1
S5 30-02 01	0396G	Pant holder - left	SPORTSTAR- A-32-10-01-01A-941A-D	1	1
S5 30-02 01	0396G	Pant holder - left	SPORTSTAR- A-32-10-01-01B-941A-D	1	1
S5 30-02 02	0396G	Pant holder - right	SPORTSTAR- A-32-10-01-01A-941A-D	2	1
S5 30-02 02	0396G	Pant holder - right	SPORTSTAR- A-32-10-01-01B-941A-D	2	1
S5 30-03 01	0396G	Wheel pant - left	SPORTSTAR- A-32-10-01-01A-941A-D	5	1
S5 30-03 01	0396G	Wheel pant - left	SPORTSTAR- A-32-10-01-01B-941A-D	11	1
S5 30-03 02	0396G	Wheel pant - right	SPORTSTAR- A-32-10-01-01A-941A-D	6	1
S5 30-03 02	0396G	Wheel pant - right	SPORTSTAR- A-32-10-01-01B-941A-D	12	1
S5 30-10 01	0396G	Main landing gear wheel pant - Matco wheel and brake	SPORTSTAR- A-32-10-01-01B-941A-D	0	1
S5 30-11 21	0396G	Screw	SPORTSTAR- A-32-10-01-01B-941A-D	3	2
S5 40-01 01	0396G	Parking brake valve	SPORTSTAR- A-32-41-04-01A-941A-A	6	1
S5 40-01 21	0396G	Lever	SPORTSTAR- A-32-41-00-01B-941A-D	1	1
S5 40-02 21	0396G	Bushing	SPORTSTAR- A-32-41-00-01B-941A-D	2	1
S5 40-02 21	0396G	Bushing	SPORTSTAR- A-32-41-04-01A-941A-A	2	1
S5 40-02 21	0396G	Bushing	SPORTSTAR- A-32-41-06-01A-941A-D	2	1
S5 45-00 01	0396G	Parking brake valve with control	SPORTSTAR- A-32-41-04-01A-941A-A	0	1
S5 45-00 01D	0396G	Parking brake valve with control - Goldf- ren	SPORTSTAR- A-32-41-06-01A-941A-D	0	1
S5 45-01 21	0396G	Lever	SPORTSTAR- A-32-41-04-01A-941A-A	1	1
S5 45-02 21	0396G	Bracket	SPORTSTAR- A-32-41-04-01A-941A-A	5	1
S5 45-03 21	0396G	Bracket	SPORTSTAR- A-31-50-03-01A-941A-D	1	1
S5 45-04 21	0396G	Lever Goldfren	SPORTSTAR- A-32-41-06-01A-941A-D	1	1
S5 45-05 21	0396G	Bracket	SPORTSTAR- A-32-41-06-01A-941A-D	5	1
S5 45-07 01	0396G	Goldfren parking brake valve	SPORTSTAR- A-32-41-06-01A-941A-D	50	1
S5 51-01 21	0396G	Bracket for brake flu- id bottle	SPORTSTAR- A-32-41-00-01A-941A-D	3	1

Applicability: All

SPORTSTAR-A-00-00-00-00A-942A-A

Part Number	NCAGE	Nomenclature	DMC	Item	QNA
S5 51-59 01	0396G	Nose wheel	SPORTSTAR-A-32-20-00-01A-941A-D	5	1
S5 51-59 01	0396G	Nose wheel	SPORTSTAR-A-32-40-01-01A-941A-D	0	3
S5 60-01 21	0396G	Fork - long	SPORTSTAR-A-32-41-00-01B-941A-D	11	2
S5 60-02 21	0396G	Fork - short	SPORTSTAR-A-32-41-00-01B-941A-D	12	2
S6 00-41 01	0396G	Propeller KW-31-033 installation	SPORTSTAR-A-61-10-02-01A-941A-D	0	1
S6 00-55 01	0396G	Engine Rotax 912 S with external alternator F3A installation	SPORTSTAR-A-71-00-03-01A-941A-D	0	1
S6 00-63 01	0396G	Engine Rotax 912 ULS installation	SPORTSTAR-A-71-00-01-01A-941A-D	0	1
S6 00-64 01	0396G	Engine Rotax 912 S installation	SPORTSTAR-A-71-00-02-01A-941A-D	0	1
S6 00-69 01	0396G	Fuel system installation	SPORTSTAR-A-28-00-00-01A-941A-D	0	1
S6 00-76 01	0396G	Fuel system - NVFR installation	SPORTSTAR-A-28-00-00-01B-941A-D	0	1
S6 00-86 01	0396G	Propeller Klassic 170/3/R installation - auxiliary alternator installed on the engine	SPORTSTAR-A-61-10-01-01B-941A-D	0	1
S6 04-07 01	0396G	Throttle control - Vernier	SPORTSTAR-A-76-10-02-01A-941A-D	0	1
S6 10-29 21	0396G	Oil cooler deflector	SPORTSTAR-A-71-00-03-01A-941A-D	9	1
S6 10-30 01	0396G	Oil system - original version	SPORTSTAR-A-71-00-01-01A-941A-D	5	1
S6 10-30 01	0396G	Oil system - original version	SPORTSTAR-A-71-00-02-01A-941A-D	5	1
S6 10-30 01 (NEW)	0396G	Oil system - new version	SPORTSTAR-A-79-00-00-01B-941A-D	0	1
S6 10-30 01 (ORIGINAL)	0396G	Oil system - original version	SPORTSTAR-A-79-00-00-01A-941A-D	0	1
S6 10-32 01	0396G	Oil system - version for new engine cowlings	SPORTSTAR-A-71-00-03-01A-941A-D	5	1
S6 10-32 01	0396G	Oil system - version for new engine cowlings	SPORTSTAR-A-79-00-00-01C-941A-D	0	1
S6 13-02 01	0396G	Heat exchanger	SPORTSTAR-A-71-60-00-01A-941A-D	9	1
S6 14-10 01	0396G	Engine cooling installation	SPORTSTAR-A-71-00-01-01A-941A-D	4	1
S6 14-10 01	0396G	Engine cooling installation	SPORTSTAR-A-71-00-02-01A-941A-D	4	1
S6 14-10 01	0396G	Engine cooling installation	SPORTSTAR-A-71-00-03-01A-941A-D	4	1

Applicability: All

SPORTSTAR-A-00-00-00-00A-942A-A

Part Number	NCAGE	Nomenclature	DMC	Item	QNA
S6 14-10 01	0396G	Engine cooling installation	SPORTSTAR-A-75-00-00-01A-941A-D	0	1
S6 14-11 01	0396G	Cooler lower holder	SPORTSTAR-A-75-00-00-01A-941A-D	2	1
S6 14-20 01	0396G	Air intakes	SPORTSTAR-A-71-00-01-01A-941A-D	6	1
S6 14-20 01	0396G	Air intakes	SPORTSTAR-A-71-00-02-01A-941A-D	6	1
S6 14-20 01	0396G	Air intakes	SPORTSTAR-A-71-00-03-01A-941A-D	6	1
S6 14-20 01	0396G	Air intakes	SPORTSTAR-A-71-60-00-01A-941A-D	0	1
S6 14-20 21	0396G	Knob	SPORTSTAR-A-71-60-00-01A-941A-D	3	1
S6 15-01 21	0396G	Screw coupling of fuel pressure sensor	SPORTSTAR-A-28-00-00-01B-941A-D	101	1
S6 16-01 21	0396G	Body	SPORTSTAR-A-71-60-00-01A-941A-D	4	1
S6 16-02 21	0396G	Bowden hose	SPORTSTAR-A-71-60-00-01A-941A-D	5	1
S6 32-33 01	0396G	Upper engine cowling	SPORTSTAR-A-71-10-00-01A-941A-D	1	1
S6 32-36 01	0396G	Lower engine cowling	SPORTSTAR-A-71-10-00-01A-941A-D	2	1
S6 60-62 01	0396G	Hose T-connection with nozzle	SPORTSTAR-A-34-10-03-01A-941A-D	5	1
S6 60-62 01	0396G	Hose T-connection with nozzle	SPORTSTAR-A-34-10-04-01A-941A-D	5	1
S6 60-63 01	0396G	Four way distributor	SPORTSTAR-A-28-00-00-01A-941A-D	3	1
S6 65-07 21	0396G	Cooler strut	SPORTSTAR-A-79-00-00-01B-941A-D	3	1
S6 65-09 21	0396G	Cooler bracket	SPORTSTAR-A-79-00-00-01B-941A-D	2	1
S6 69-01 21	0396G	Fuel pipe	SPORTSTAR-A-28-00-00-01A-941A-D	7	1
S6 69-01 21	0396G	Fuel pipe	SPORTSTAR-A-28-00-00-01B-941A-D	7	1
S6 69-02 21	0396G	Fuel pipe - return line	SPORTSTAR-A-28-00-00-01A-941A-D	8	1
S6 69-02 21	0396G	Fuel pipe - return line	SPORTSTAR-A-28-00-00-01B-941A-D	8	1
S6 69-03 21	0396G	Fuel pipe	SPORTSTAR-A-28-00-00-01A-941A-D	9	1
S6 69-03 21	0396G	Fuel pipe	SPORTSTAR-A-28-00-00-01B-941A-D	9	1
S6 69-04 21	0396G	Fuel pipe	SPORTSTAR-A-28-00-00-01A-941A-D	10	1
S6 69-04 21	0396G	Fuel pipe	SPORTSTAR-A-28-00-00-01B-941A-D	10	1
S6 69-05 21	0396G	Fuel pipe - return line	SPORTSTAR-A-28-00-00-01A-941A-D	11	1

Applicability: All

SPORTSTAR-A-00-00-00-00A-942A-A

Part Number	NCAGE	Nomenclature	DMC	Item	QNA
S6 69-05 21	0396G	Fuel pipe - return line	SPORTSTAR-A-28-00-00-01B-941A-D	11	1
S6 69-06 21	0396G	Fuel pipe - return line	SPORTSTAR-A-28-00-00-01A-941A-D	12	1
S6 69-06 21	0396G	Fuel pipe - return line	SPORTSTAR-A-28-00-00-01B-941A-D	12	1
S6 69-07 21	0396G	Fitting	SPORTSTAR-A-28-00-00-01A-941A-D	34	3
S6 69-07 21	0396G	Fitting	SPORTSTAR-A-28-00-00-01B-941A-D	34	3
S6 69-08 21	0396G	Hose socket	SPORTSTAR-A-28-00-00-01A-941A-D	44	3
S6 69-08 21	0396G	Hose socket	SPORTSTAR-A-28-00-00-01B-941A-D	44	3
S6 70-01 21	0396G	Screw fitting	SPORTSTAR-A-28-00-00-01A-941A-D	1	3
S6 70-01 21	0396G	Screw fitting	SPORTSTAR-A-28-00-00-01B-941A-D	1	3
S6 70-02 21	0396G	Placard SUCTION	SPORTSTAR-A-28-00-00-01A-941A-D	4	4
S6 70-02 21	0396G	Placard SUCTION	SPORTSTAR-A-28-00-00-01B-941A-D	4	4
S6 70-03 21	0396G	Placard RETURN	SPORTSTAR-A-28-00-00-01A-941A-D	5	4
S6 70-03 21	0396G	Placard RETURN	SPORTSTAR-A-28-00-00-01B-941A-D	5	4
S6 70-04 21	0396G	Console	SPORTSTAR-A-28-00-00-01A-941A-D	6	1
S6 70-04 21	0396G	Console	SPORTSTAR-A-28-00-00-01B-941A-D	6	1
S6 71-00 01	0396G	Engine mount installation	SPORTSTAR-A-71-00-01-01A-941A-D	20	1
S6 71-00 01	0396G	Engine mount installation	SPORTSTAR-A-71-00-02-01A-941A-D	20	1
S6 71-00 01	0396G	Engine mount installation	SPORTSTAR-A-71-00-03-01A-941A-D	20	1
S6 71-00 01	0396G	Engine mount installation	SPORTSTAR-A-71-20-00-01A-941A-D	0	1
S6 71-00 21	0396G	Bolt	SPORTSTAR-A-71-20-00-01A-941A-D	9	4
S6 71-01 21	0396G	Washer	SPORTSTAR-A-71-20-00-01A-941A-D	8	4
S6 72-00 01	0396G	Engine cowlings	SPORTSTAR-A-71-00-01-01A-941A-D	2	1
S6 72-00 01	0396G	Engine cowlings	SPORTSTAR-A-71-00-02-01A-941A-D	2	1
S6 72-00 01	0396G	Engine cowlings	SPORTSTAR-A-71-10-00-01A-941A-D	0	1
S6 74-00 01	0396G	Access lid for coolant level check	SPORTSTAR-A-71-10-01-01A-941A-D	0	1
S6 75-00 01	0396G	Engine cowlings - new design	SPORTSTAR-A-71-00-03-01A-941A-D	2	1

Applicability: All

SPORTSTAR-A-00-00-00-00A-942A-A



Illustrated Parts Catalogue

Part Number	NCAGE	Nomenclature	DMC	Item	QNA
S6 75-00 01	0396G	Engine cowlings - new design	SPORTSTAR-A-71-10-00-01B-941A-D	0	1
S6 75-01 01	0396G	Upper engine cowl-ing	SPORTSTAR-A-71-10-00-01B-941A-D	1	1
S6 75-02 01	0396G	Lower engine cowl-ing	SPORTSTAR-A-71-10-00-01B-941A-D	2	1
S6 75-08 01	0396G	Acces lid hinge	SPORTSTAR-A-71-10-00-01B-941A-D	3	1
S6 75-09 01	0396G	Acces lid pawl	SPORTSTAR-A-71-10-00-01B-941A-D	4	1
S6 76-01 21	0396G	Screw coupling	SPORTSTAR-A-28-00-00-01B-941A-D	102	1
S6 76-02 21	0396G	Cube	SPORTSTAR-A-28-00-00-01B-941A-D	103	1
S7 00-07 01	0396G	Pitot-static system	SPORTSTAR-A-34-11-00-01B-941A-D	0	1
S7 00-07 01	0396G	Pitot-static system	SPORTSTAR-A-34-11-00-01D-941A-D	0	1
S7 00-08 01	0396G	Static dischargers	SPORTSTAR-A-23-60-00-01A-941A-D	0	1
S7 00-09 01	0396G	Grounding - airplane	SPORTSTAR-A-24-70-01-01A-941A-D	0	1
S7 00-10 01	0396G	Grounding - rudder and flaps control	SPORTSTAR-A-24-70-02-01A-941A-D	0	1
S7 00-11 01	0396G	Grounding - elevator and aileron control	SPORTSTAR-A-24-70-03-01A-941A-D	0	1
S7 00-12 01	0396G	SkyView ADAHRS	SPORTSTAR-A-34-10-02-01A-941A-D	0	1
S7 00-13 01	0396G	Fuselage modifica-tion for G3X system	SPORTSTAR-A-34-10-05-01A-941A-D	0	1
S7 00-14 01	0396G	Needlework on ADAHRS cover	SPORTSTAR-A-34-10-02-01A-941A-D	8	1
S7 00-14 01	0396G	Needlework on ADAHRS cover	SPORTSTAR-A-34-10-05-01A-941A-D	8	1
S7 00-16 01	0396G	Pitot-static system - heated pitot tube in-stallation	SPORTSTAR-A-34-11-00-01C-941A-D	0	1
S7 00-16 99	0396G	Pitot-static system - heated pitot tube in-stallation - NVFR in-stallation	SPORTSTAR-A-34-11-00-01E-941A-D	0	1
S7 00-17 01	0396G	Seat heating	SPORTSTAR-A-25-10-03-01A-941A-D	0	1
S7 01-02 21	0396G	Reinforcement	SPORTSTAR-A-25-60-01-01A-941A-D	4	2
S7 01-02 21	0396G	Reinforcement	SPORTSTAR-A-25-60-02-01A-941A-D	4	2
S7 01-02 21	0396G	Reinforcement	SPORTSTAR-A-25-60-03-01A-941A-D	4	2
S7 01-05 01	0396G	ELT AK-451	SPORTSTAR-A-25-60-01-01A-941A-D	0	1
S7 01-12 21	0396G	Cover	SPORTSTAR-A-34-10-02-01A-941A-D	2	1

Applicability: All

SPORTSTAR-A-00-00-00-00A-942A-A

Illustrated Parts Catalogue

Part Number	NCAGE	Nomenclature	DMC	Item	QNA
S7 01-12 21	0396G	Cover	SPORTSTAR-A-34-10-05-01A-941A-D	2	1
S7 01-13 21	0396G	Angle bar	SPORTSTAR-A-34-10-02-01A-941A-D	3	2
S7 01-13 21	0396G	Angle bar	SPORTSTAR-A-34-10-05-01A-941A-D	3	1
S7 01-14 21	0396G	Bracket	SPORTSTAR-A-34-10-02-01A-941A-D	1	1
S7 01-15 21	0396G	Angle bar	SPORTSTAR-A-34-10-02-01A-941A-D	4	1
S7 01-16 21	0396G	Angle bar	SPORTSTAR-A-34-10-02-01A-941A-D	5	2
S7 01-17 21	0396G	Pad 1	SPORTSTAR-A-34-10-02-01A-941A-D	6	1
S7 01-18 21	0396G	Pad 0.5	SPORTSTAR-A-34-10-02-01A-941A-D	7	1
S7 01-19 21	0396G	Stud	SPORTSTAR-A-34-10-02-01A-941A-D	103	4
S7 01-19 21	0396G	Stud	SPORTSTAR-A-34-10-03-01A-941A-D	8	4
S7 01-20 01	0396G	ELT Artex ME406	SPORTSTAR-A-25-60-02-01A-941A-D	0	1
S7 01-21 21	0396G	Bracket	SPORTSTAR-A-25-60-01-01A-941A-D	1	1
S7 01-21 21	0396G	Bracket	SPORTSTAR-A-25-60-02-01A-941A-D	1	1
S7 01-21 21	0396G	Bracket	SPORTSTAR-A-25-60-03-01A-941A-D	1	1
S7 01-22 21	0396G	Angle bar - front	SPORTSTAR-A-25-60-01-01A-941A-D	2	1
S7 01-22 21	0396G	Angle bar - front	SPORTSTAR-A-25-60-02-01A-941A-D	2	1
S7 01-22 21	0396G	Angle bar - front	SPORTSTAR-A-25-60-03-01A-941A-D	2	1
S7 01-23 21	0396G	Angle bar - rear	SPORTSTAR-A-25-60-01-01A-941A-D	3	1
S7 01-23 21	0396G	Angle bar - rear	SPORTSTAR-A-25-60-02-01A-941A-D	3	1
S7 01-23 21	0396G	Angle bar - rear	SPORTSTAR-A-25-60-03-01A-941A-D	3	1
S7 01-25 21	0396G	GSU 25 bracket	SPORTSTAR-A-34-10-05-01A-941A-D	1	1
S7 01-26 21	0396G	GMU 22 bracket	SPORTSTAR-A-34-10-05-01A-941A-D	4	1
S7 01-27 21	0396G	USB holder	SPORTSTAR-A-34-10-02-01A-941A-D	10	1
S7 01-28 01	0396G	ELT Kannad AF Inte-gra	SPORTSTAR-A-25-60-03-01A-941A-D	0	1
S7 40-01 01	0396G	Flight clock Mitchell	SPORTSTAR-A-31-20-01-01A-941A-D	0	1
S7 40-02 01	0396G	Flight clock SC-5	SPORTSTAR-A-31-20-03-01A-941A-D	0	1

Applicability: All

SPORTSTAR-A-00-00-00-00A-942A-A



Illustrated Parts Catalogue

Part Number	NCAGE	Nomenclature	DMC	Item	QNA
S7 47-60 01	0396G	Parking brake signaling	SPORTSTAR-A-31-50-03-01A-941A-D	0	1
S7 62-50 01	0396G	Backup flight instruments UMA/Winter	SPORTSTAR-A-34-14-00-01A-941A-D	0	1
S7 65-01 01	0396G	Engine instruments	SPORTSTAR-A-77-00-00-01A-941A-D	0	1
S7 66-01 01	0396G	SkyView system	SPORTSTAR-A-34-10-03-01A-941A-D	0	1
S7 66-24 01	0396G	Garmin G3X system	SPORTSTAR-A-34-10-04-01A-941A-D	0	1
S7 66-24 99	0396G	Garmin G3X system - NVFR installations	SPORTSTAR-A-34-10-06-01A-941A-A	0	1
S7 66-99 99	0396G	iPad holder	SPORTSTAR-A-39-10-04-01A-941A-D	0	1
S7 68-31 01	0396G	DC generation with auxiliary generator F3A	SPORTSTAR-A-24-31-00-01B-941A-D	0	1
S7 68-31 99	0396G	DC generation with auxiliary generator F3A - NVFR installation	SPORTSTAR-A-24-31-00-01C-941A-D	0	1
S7 68-89 99	0396G	Master switch NVFR	SPORTSTAR-A-24-31-00-01C-941A-D	17	1
S7 68-99 99	0396G	Avionics switch - NVFR installation	SPORTSTAR-A-24-60-02-01B-941A-D	0	1
S7 91-01 01	0396G	Position and anticollision lights Whelen Orion 600	SPORTSTAR-A-33-40-03-01A-941A-D	0	1
S7 91-01 99	0396G	Position and anticollision lights Whelen Orion 600 - NVFR installation	SPORTSTAR-A-33-40-03-01B-941A-D	0	1
S7 91-10 01	0396G	Taxi light installation - Whelen 71141	SPORTSTAR-A-33-40-01-01B-941A-D	0	1
S7 91-10 99	0396G	Taxi light Whelen 71141 - NVFR installation	SPORTSTAR-A-33-40-01-01D-941A-D	0	1
S7 91-11 99	0396G	Landing light Whelen 71141 - NVFR installation	SPORTSTAR-A-33-40-01-01C-941A-D	0	1
S7 99-51 01	0396G	Cockpit adjustable lamp Whelen 70820 - installed on the cockpit canopy frame	SPORTSTAR-A-33-10-01-01B-941A-D	0	1
S7 99-51 99	0396G	Cockpit adjustable lamp Whelen 70820 - installed on the cockpit canopy frame - NVFR installation	SPORTSTAR-A-33-10-01-01C-941A-D	0	1
S7 99-61 01	0396G	Cockpit adjustable lamp	SPORTSTAR-A-33-10-01-01A-941A-D	0	1
S7 99-62 21	0396G	Guide	SPORTSTAR-A-33-10-01-01A-941A-D	1	1

Applicability: All

SPORTSTAR-A-00-00-00-00A-942A-A

Illustrated Parts Catalogue

Part Number	NCAGE	Nomenclature	DMC	Item	QNA
S7 99-81 01	0396G	Instrument panel lighting	SPORTSTAR-A-33-10-05-01A-941A-D	0	1
S8 00-07 01	0396G	Instrument panel installation	SPORTSTAR-A-39-10-01-01A-941A-D	0	1
S8 00-10 01	0396G	Interior panels and equipment	SPORTSTAR-A-25-11-00-01A-941A-D	0	1
S8 00-13 01	0396G	Fastening strap	SPORTSTAR-A-25-60-00-01A-941A-D	1	1
S8 00-17 01	0396G	Control stick head cover	SPORTSTAR-A-39-10-03-01A-941A-D	0	1
S8 00-17 21	0396G	Cover	SPORTSTAR-A-39-10-03-01A-941A-D	1	2
S8 00-22 01	0396G	Circuit breaker panel - additional	SPORTSTAR-A-39-10-02-01A-941A-D	0	1
S8 00-23 01	0396G	Fire extinguisher strap	SPORTSTAR-A-26-20-01-01B-941A-D	2	2
S8 00-23 21	0396G	Fire extinguisher pad	SPORTSTAR-A-26-20-01-01B-941A-D	1	1
S8 00-24 01	0396G	Portable fire extinguisher - alternative locations	SPORTSTAR-A-26-20-01-01B-941A-D	0	1
S8 01-07 01	0396G	Interior panel - left	SPORTSTAR-A-25-50-02-01A-941A-D	1	1
S8 01-07 02	0396G	Interior panel - right	SPORTSTAR-A-25-50-02-01A-941A-D	2	1
S8 01-10 01	0396G	Back rest sheet	SPORTSTAR-A-25-11-03-01A-941A-D	6	1
S8 01-17 21	0396G	Bushing	SPORTSTAR-A-25-10-02-01A-941A-D	2	2
S8 01-18 21	0396G	Pad	SPORTSTAR-A-26-20-01-01A-941A-D	1	2
S8 01-19 21	0396G	Insert	SPORTSTAR-A-26-20-01-01A-941A-D	2	2
S8 01-20 01	0396G	Carpet - left	SPORTSTAR-A-25-11-00-01A-941A-D	14	1
S8 01-20 02	0396G	Carpet - right	SPORTSTAR-A-25-11-00-01A-941A-D	15	1
S8 02-03 01	0396G	Amrest	SPORTSTAR-A-25-11-01-01A-941A-D	1	1
S8 02-06 21	0396G	Amrest hinge - left	SPORTSTAR-A-25-11-01-01A-941A-D	5	1
S8 02-06 22	0396G	Amrest hinge - right	SPORTSTAR-A-25-11-01-01A-941A-D	6	1
S8 02-12 21	0396G	Amrest back cover	SPORTSTAR-A-25-11-01-01A-941A-D	3	1
S8 02-13 21	0396G	Lid	SPORTSTAR-A-25-11-01-01A-941A-D	4	2
S8 03-04 21	0396G	Carpet in the baggage compartment	SPORTSTAR-A-25-11-04-01A-941A-D	2	1
S8 03-05 21	0396G	Lid	SPORTSTAR-A-25-11-06-01A-941A-D	1	4
S8 03-07 21	0396G	Circuit breaker panel	SPORTSTAR-A-39-10-02-01A-941A-D	10	1

Applicability: All

SPORTSTAR-A-00-00-00-00A-942A-A

Part Number	NCAGE	Nomenclature	DMC	Item	QNA
S8 07-00 01	0396G	Instrument panel - assembled	SPORTSTAR-A-39-10-01-01A-941A-D	1	1
S8 09-31 01	0396G	Aircraft identification plate	SPORTSTAR-A-11-20-01-01A-941A-D	0	1
S8 09-31 21	0396G	Identification plate	SPORTSTAR-A-11-20-01-01A-941A-D	1	1
S8 10-02 01	0396G	Amrest installation	SPORTSTAR-A-25-11-00-01A-941A-D	1	1
S8 10-02 01	0396G	Amrest installation	SPORTSTAR-A-25-11-01-01A-941A-D	0	1
S8 10-03 01	0396G	Instrument panel ledge - left	SPORTSTAR-A-25-11-00-01A-941A-D	10	1
S8 10-04 01	0396G	Instrument panel ledge - right	SPORTSTAR-A-25-11-00-01A-941A-D	11	1
S8 10-05 01	0396G	Controls cover - left	SPORTSTAR-A-25-11-00-01A-941A-D	12	1
S8 10-05 02	0396G	Controls cover - right	SPORTSTAR-A-25-11-00-01A-941A-D	13	1
S8 10-05 21	0396G	Flaps lever cover	SPORTSTAR-A-25-11-00-01A-941A-D	6	1
S8 10-06 01	0396G	Central panel - assembled	SPORTSTAR-A-25-11-00-01A-941A-D	16	1
S8 10-07 21	0396G	Instrument panel ledge - central	SPORTSTAR-A-25-11-00-01A-941A-D	7	1
S8 10-08 21	0396G	Central channel panel - left	SPORTSTAR-A-25-11-00-01A-941A-D	8	1
S8 10-08 22	0396G	Central channel panel - right	SPORTSTAR-A-25-11-00-01A-941A-D	9	1
S8 10-11 01	0396G	Controls cover - left, for extinguisher	SPORTSTAR-A-25-11-00-01A-941A-D	20	1
S8 10-14 01	0396G	Central console - assembled	SPORTSTAR-A-25-11-00-01A-941A-D	5	1
S8 11-00 01	0396G	Interior panel - left	SPORTSTAR-A-25-11-03-01A-941A-D	1	1
S8 11-00 02	0396G	Interior panel - right	SPORTSTAR-A-25-11-03-01A-941A-D	2	1
S8 11-12 21	0396G	Front carpet - left	SPORTSTAR-A-25-11-04-01A-941A-D	3	1
S8 11-13 21	0396G	Front carpet - middle	SPORTSTAR-A-25-11-04-01A-941A-D	4	1
S8 11-14 21	0396G	Front carpet - right	SPORTSTAR-A-25-11-04-01A-941A-D	5	1
S8 11-15 21	0396G	Carpet	SPORTSTAR-A-25-11-04-01A-941A-D	1	1
S8 12-00 01	0396G	Emergency signal card	SPORTSTAR-A-25-60-00-01A-941A-D	4	1
S8 13-02 01	0396G	Interior plastic foil	SPORTSTAR-A-25-11-00-01A-941A-D	2	AR
S8 40-25 21	0396G	Bracket	SPORTSTAR-A-21-00-00-01A-941A-D	9	1
S8 41-20 01	0396G	Air outlet	SPORTSTAR-A-21-00-00-01A-941A-D	3	1

Applicability: All

SPORTSTAR-A-00-00-00-00A-942A-A

Illustrated Parts Catalogue

Part Number	NCAGE	Nomenclature	DMC	Item	QNA
S8 43-01 01	0396G	Mixing chamber	SPORTSTAR- A-21-00-00-01A-941A-D	1	1
S8 44-01 01	0396G	Distribution chamber	SPORTSTAR- A-21-00-00-01A-941A-D	2	1
S8 45-01 01	0396G	Heat exchanger	SPORTSTAR- A-21-00-00-01A-941A-D	4	1
S8 46-00 01	0396G	Heating and venting system	SPORTSTAR- A-21-00-00-01A-941A-D	0	1
S8 46-01 01	0396G	Air inlet	SPORTSTAR- A-21-00-00-01A-941A-D	22	1
S9 00-03 01	0396G	Aircraft ground equipment	SPORTSTAR- A-10-00-01-01A-941A-D	0	1
S9 01-10 01	0396G	Pitot tube cover	SPORTSTAR- A-10-00-01-01A-941A-D	40	1
S9 05-00 01	0396G	Towing bar	SPORTSTAR- A-10-00-01-01A-941A-D	4	1
S9 15-00 01	0396G	Cockpit sunshade	SPORTSTAR- A-52-10-05-01A-941A-D	0	1
S9 25-00 01	0396G	Shield set for winter operation	SPORTSTAR- A-12-31-00-01A-941A-D	0	1
S9 25-00 21	0396G	Cooler shield	SPORTSTAR- A-12-31-00-01A-941A-D	1	1
S9 25-01 21	0396G	NACA inlet shield	SPORTSTAR- A-12-31-00-01A-941A-D	2	1
SG0 20-01 21	0396G	Pin	SPORTSTAR- A-57-10-01-01A-941A-D	1	4
SG1 02-08 01	0396G	Welded lever	SPORTSTAR- A-27-30-03-01A-941A-D	1	1
SG1 02-09 01	0396G	Two-armed lever	SPORTSTAR- A-27-30-00-01A-941A-D	8	1
SG1 02-09 01	0396G	Two-armed lever	SPORTSTAR- A-27-30-03-01A-941A-D	0	1
SG1 02-54 21	0396G	Pad	SPORTSTAR- A-32-10-00-01A-941A-D	8	2
SG1 02-54 21	0396G	Pad	SPORTSTAR- A-32-10-00-01B-941A-D	8	2
SG1 02-90 21	0396G	Pad	SPORTSTAR- A-32-10-00-01A-941A-D	9	2
SG1 02-90 21	0396G	Pad	SPORTSTAR- A-32-10-00-01B-941A-D	9	2
SG1 02-93 01	0396G	Yoke	SPORTSTAR- A-32-10-00-01A-941A-D	7	2
SG1 02-93 01	0396G	Yoke	SPORTSTAR- A-32-10-00-01B-941A-D	7	2
SG1 03-12 21	0396G	Block - left	SPORTSTAR- A-27-20-03-01A-941A-D	15	1
SG1 03-12 22	0396G	Block - right	SPORTSTAR- A-27-20-03-01A-941A-D	16	1
SG1 03-13 21	0396G	Pad	SPORTSTAR- A-27-20-03-01A-941A-D	18	4
SG1 09-02 21	0396G	Insert	SPORTSTAR- A-27-30-03-01A-941A-D	2	1

Applicability: All

SPORTSTAR-A-00-00-00-00A-942A-A



Illustrated Parts Catalogue

Part Number	NCAGE	Nomenclature	DMC	Item	QNA
SG3 01-23 21	0396G	Case	SPORTSTAR-A-55-00-00-01A-941A-D	10	1
SG3 01-23 22	0396G	Case	SPORTSTAR-A-55-00-00-01A-941A-D	11	1
SG4 01-02 01	0396G	Countershaft of manual control	SPORTSTAR-A-27-30-00-01A-941A-D	1	1
SG4 01-02 01	0396G	Countershaft of manual control	SPORTSTAR-A-27-30-01-01A-941A-D	0	1
SG4 01-03 02	0396G	Control stick	SPORTSTAR-A-27-10-01-01A-941A-D	0	1
SG4 01-19 01	0396G	Rocker arm	SPORTSTAR-A-27-30-00-01A-941A-D	4	1
SG4 01-19 01	0396G	Rocker arm	SPORTSTAR-A-27-30-05-01A-941A-D	1	1
SG4 01-22 21	0396G	Tube	SPORTSTAR-A-27-30-05-01A-941A-D	2	1
SG4 01-25 01	0396G	Bearing	SPORTSTAR-A-27-30-00-01A-941A-D	5	2
SG4 02-12 21	0396G	Screw	SPORTSTAR-A-27-30-01-01A-941A-D	1	1
SG4 03-02 21	0396G	Insert	SPORTSTAR-A-27-10-01-01A-941A-D	2	2
SG4 03-08 01	0396G	Control stick- welded	SPORTSTAR-A-27-10-01-01A-941A-D	1	2
SG4 03-08 02	0396G	Control stick- welded	SPORTSTAR-A-27-10-01-01A-941A-D	12	2
SG4 10-01 21	0396G	Tube	SPORTSTAR-A-27-30-04-01A-941A-D	1	1
SG4 25-01 21	0396G	Bearing base	SPORTSTAR-A-27-30-00-01A-941A-D	7	2
SG4 25-02 21	0396G	Bearing cap	SPORTSTAR-A-27-30-00-01A-941A-D	6	2
SG5 00-12 21	0396G	Wheel axle	SPORTSTAR-A-32-20-00-01A-941A-D	14	1
SG5 21-01 21	0396G	Axle screw	SPORTSTAR-A-32-20-00-01A-941A-D	15	2
SG6 04-03 21	0396G	Plug	SPORTSTAR-A-71-00-01-01A-941A-D	22	4
SG6 04-03 21	0396G	Plug	SPORTSTAR-A-71-00-02-01A-941A-D	22	4
SG6 04-03 21	0396G	Plug	SPORTSTAR-A-71-00-03-01A-941A-D	22	4
SG7 05-01 01	0396G	Pitot tube holder	SPORTSTAR-A-34-11-00-01C-941A-D	1	1
SG7 05-01 01	0396G	Pitot tube holder	SPORTSTAR-A-34-11-00-01E-941A-D	1	1

This page has been intentionally left blank.



SPORTSTAR RTC AIRPLANE FAILURE CARD

Dear customer,
We would like to ask you for your assistance at obtaining information for continuous increasing reliability of airplanes produced by our company. Please fill out the card in case of any failure on your airplane. After filling out, send it to the following address: **Evektor, spol. s r.o., Office of Airworthiness, 686 04 Kunovice- Letecká 1008, Czech Republic.** By sending us the card, you provide us with valuable data which enable us to improve reliability of your airplane as well.

Reference Information

1. Organization name:	2. Organization country:	3. Organization approval Reference:
4. Name of submitter:	5. Telephone number:	6. E-mail address
7. Internal Reference number:	8. Issue Number:	9. Date of report:
10. Report Type <input type="checkbox"/> Initial <input type="checkbox"/> Follow-up	Initial Report Date:	11. Report Status: <input type="checkbox"/> Open <input type="checkbox"/> Closed

12. Parties Informed

State of Registry Design Approval Holder(s) Operator(s) NAA CAMO

13. Name(s) of Design Approval Holder(s) informed (if relevant)

Obligatory Data

Airplane Information

14. Airplane Manufacturer and Type/Model:	15. Registration mark:	16. Airplane Serial No.:	
17. Operator:	18. Owner:	19. Airplane total hours:	20. Airplane total cycles:

Occurrence Summary

21. Occurrence Title:	22. Date/f.o.n. of Finding:	23. ATA Chapter:	24. Location:
-----------------------	-----------------------------	------------------	---------------

25. The failure has been detected at:	<input type="checkbox"/> a) Manufacturing	<input type="checkbox"/> i) Descent
	<input type="checkbox"/> b) Schedule Maintenance	<input type="checkbox"/> j) Approach
	<input type="checkbox"/> c) Non-schedule Maintenance	<input type="checkbox"/> k) Landing
	<input type="checkbox"/> d) Standing	<input type="checkbox"/> l) Manoeuvring
	<input type="checkbox"/> e) Taxi	<input type="checkbox"/> m) Unknown
	<input type="checkbox"/> f) Take-off	<input type="checkbox"/> n) Other, Specify
	<input type="checkbox"/> g) Climb	
	<input type="checkbox"/> h) En-route	

26. Cause of occurrence: (multiple choice is possible)	<input type="checkbox"/> a) Design	<input type="checkbox"/> h) Humans factors
	<input type="checkbox"/> b) Production	<input type="checkbox"/> i) Operational
	<input type="checkbox"/> c) Maintenance	<input type="checkbox"/> j) Unknown
	<input type="checkbox"/> d) Repair	<input type="checkbox"/> k) Other, Specify
	<input type="checkbox"/> e) Fatigue	
	<input type="checkbox"/> f) Corrosion	
	<input type="checkbox"/> g) Unapproved parts	

27. Consequences for operation:	<input type="checkbox"/> a) No consequences	<input type="checkbox"/> d) Flight with damaged aggregates
	<input type="checkbox"/> b) Airplane put out of operation	<input type="checkbox"/> e) Emergency landing
	<input type="checkbox"/> c) Airplane returned from take-off	<input type="checkbox"/> f) Other

28. Failure description:

29. Occurrence Attachments:

Component Information (Identification of the damage part)

Component Manufacturer Name and Country	Part Number	Serial Number	Date of manufacture	(E)TSO Reference	Illustrated Part Catalogue (IPC) Name	Component total time(hours)/cycles from new	Component total time(hours)/cycles since overhaul

30. Nature of failure, defect or malfunction:	31. Defect Rectification, Corrective Actions (Completion by TC/STC, Type Approval holder only):
---	---

Additional Data

32. Claimed:	<input type="checkbox"/> YES	<input type="checkbox"/> NO	Number of claim:
--------------	------------------------------	-----------------------------	------------------

33. Order of spare parts:	<input type="checkbox"/> YES	<input type="checkbox"/> NO
---------------------------	------------------------------	-----------------------------

Item	Name of the part	Catalogue part number	Number of pieces

Every operator and holder of the Maintenance Certificate is obliged to report the following occurrences to the holder of the Type Certificate or the Supplementary Type Certificate and to the NAA:

- a) Fire caused by failure, defect or incorrect activity.
- b) Failures, defects or inappropriate activity of the engine output system which will cause damage to the engine, adjoining structure of the airplane or its equipment.
- c) Accumulation and circulation of poisonous or noxious gases in the cockpit or in the passenger compartment.
- d) Incorrect function, failure or defect of the propeller control system.
- e) Failure of propeller structure, propeller blade or carrying rotor head.
- f) Flammable liquid leakage in the area where the inflammable sources can usually be expected.
- g) Braking system failure caused by structural or material failure during operation.
- h) Essential primary defect or carrying airplane structure failure caused by fatigue, insufficient strength, corrosion etc.
- i) Any, unusual vibration or buffeting caused by failure or defect of the structure, possibly by incorrect activity, failure or defect of the system.
- j) Failure of the engine structure and engine shutdown in flight.
- k) Failure, defect or incorrect activity of each system of the structure or airplane control which prevents from usual controlling the airplane or deteriorates its flight characteristics.
- l) Total loss of two systems of electric and hydraulic energy sources during one flight of the airplane.
- m) Failure or incorrect activity of more than one instrument indicating flight attitude, height or flight speed during one flight.

Explanation:

- 1. Organisation Name** – Name of the reporting organisation or person (mandatory field).
- 2. Organisation Country** – Pick the appropriate value in the embedded list of Countries (mandatory field).
- 3. Organisation Approval Reference** – EASA or Others Approval Reference of the reporting organisation, when relevant: e.g. *EASA.21J.xxxx*, *EASA.45.xxxx* – or a national Approval Reference of the reporting organisation.
- 4. Name of submitter** – The point of contact within the reporting organisation for this occurrence.
- 5. Telephone number** – The telephone number, including country code, e.g. +49 221 8990 WXYZ.
- 6. E-mail address** – Complete e-mail address.
- 7. Internal Reference number** – The internal reference number for this occurrence as assigned by the reporting organisation (mandatory field).
- 8. Issue Number** – The issue number of the present report, when the reporting organisation manages updated reports through issue numbers.
- 9. Date of the Report** – The date of the present occurrence report.
- 10. Report Type** – This block contains information on whether this report is an initial notification or a follow-up report:
Initial – Mark this box if the report is the first notification of the occurrence to EASA or Others.
Follow-up – Mark this box in case the report is a follow-up of an earlier notification. Please indicate the date of the initial report.
- 11. Report Status (of the reporting organisation)** – If relevant, indicate whether from the point of view of the reporting organisation, the occurrence status is Open or Closed. A “closed” status would mean that no further investigation, analysis or corrective actions are planned, at the level of the reporting organisation.
- 12. Parties Informed** - Indicate who has been informed of this occurrence: State of Registry, Design Approval Holder(s), Operator (or Owner), NAA (Competent Authority of the Reporting Organisation), and/or the CAMO (Continuing Airworthiness Management Organisation, as defined in Part M Subpart G).
- 13. Name(s) of Design Approval Holder(s) informed** – When relevant, indicate here the name(s) of all design approval holders (aircraft/engine/propeller (S)TC Holder, equipment approval holder) that have been informed.
- 14. Airplane Manufacturer and Type/Model** – Pick the appropriate value in the embedded list.
- 15. Registration mark** – If the aircraft is registered then this mark will be the registration mark. If the aircraft is not registered then this will be such a mark that is accepted by the competent authority.
- 16. Airplane Serial number** – The serial number of the aircraft.
- 17 and 18. Operator/Owner** – The name of the Operator or the owner of the involved aircraft, if applicable.
- 19 and 20. Airplane total hours/cycles** – This block should contain information on the usage details of the aircraft in total time (hours) and total cycles. The total time is the elapsed calendar time in hours since new.
- 21. Occurrence Title** – A title that summarises the narrative of the occurrence. The title should be

explicit, without acronyms, and could be structured following below scheme (from general to detailed):

System Name – Sub-system or Sub-sub-system name – Occurrence summary

22. Date/flight ordinal number (f.o.n.) of finding – The date and flight ordinal number of occurrence or finding. The flight ordinal number means flight ordinal number in a given day. (for example 06.01.2012/3).

23. ATA Chapter – The ATA Chapter (2 digits) describing which area predominantly contributes to the occurrence.

24. Location – The geographical location of the occurrence

25. Detection phase – One of the boxes in this block should be marked to indicate when the detection of the failure, malfunction, defect or other occurrence took place.

26. Cause of occurrence – Mark the box(es) that best summarises the current knowledge available on the cause of occurrence. Multiple choice is possible.

27. Consequences for operation - Mark the box(es) that best summarises the current knowledge available on the consequences for operation

28. Failure description - This block should contain detail information about failure occurred.

29. Occurrence Attachments – This block should contain list of attachments (e.g. figures, ...)

Component Manufacturer Name and Country – The name and country (Pick the appropriate value in the embedded list of Countries) of the component manufacturer.

Part Number – The Part Number of the component. Specify also the amendment level, when relevant.

Serial Number – The serial number of the component.

Date of manufacture– The date of manufacture of the component.

(E)TSO Reference – The reference of the TSO or ETSO approval of the component, or the reference of another national equipment approval, when relevant.

Illustrated Part Catalogue (IPC) Name – The name of the component, as provided in the Illustrated Part Catalogue or other manufacturer documentation.

Component total time (hours)/cycles from new and since overhaul – This block should contain information on the usage details of the component in total time (hours) and total cycles. The total time is the elapsed calendar time in hours since new or since overhaul.

30. Nature of failure, defect or malfunction - This block should contain detail information about failure occurred.

31. Defect Rectification, Corrective Actions (Completion by TC/STC, Type Approval holder only) - This block should contain detail information about corrective actions.

32. Claimed – Encircle claim of failure components YES - NO

Claimed Number – Actual claimed number

33. Order of spare parts - Encircle claim of spare parts order YES - NO

Aircraft ground equipment

Illustrated parts data

Table of Contents	Page
Aircraft ground equipment - Illustrated parts data.....	1

Index of Tables	Page
1 References.....	1

Index of Figures	Page
1 Aircraft ground equipment.....	2

References

Table 1 References

Data module/Technical publication	Title
None	

Fig.	Item	Units per assembly / Units of issue	NCAGE	Part Number NATO Stock Number	Nomenclature	*Usable on code assy •MV/Effect	I C Y
1A							
-	0	1	0396G	S9 00-03 01	Aircraft ground equipment		
	1	1	0396G	E9 60-00 01	• Canopy cover		
	2	3	0396G	729151	• Mooring strap		
	3	2	0396G	E9 40-00 01	• Wheel chock		
	4	1	0396G	S9 05-00 01	• Towing bar		
	5	1	0396G	S0 00-15 01S	• Set of spare material		
-	6	10	0396G	001828 (ISO 7046-1)	•• Screw M4x12		
-	7	10	0396G	004985	•• Screw M4x12		
-	8	1	0396G	059289	•• Ring 4x2		
-	9	1	0396G	059292	•• Ring 7.3x2.4		
-	10	1	0396G	059294	•• Ring 11.3x2.4		
-	11	1	0396G	059290	•• Ring 5.6x2.4		
-	12	15	0396G	004986	•• Screw M4x16		
-	13	4	0396G	032300 (CSN 02 1413.44)	•• Nut M6		
-	14	2	0396G	032350 (CSN 02 1413.44)	•• Nut M8		
-	15	4	0396G	033850 (DIN 980 V)	•• Nut M4		
-	16	4	0396G	033855 (DIN 980 V)	•• Nut M5		
-	17	6	0396G	033860 (DIN 980 V)	•• Nut M6		
-	18	4	0396G	038204 (ISO 7089)	•• Washer 4.3		

Fig.	Item	Units per assembly / Units of issue	NCAGE	Part Number NATO Stock Number	Nomenclature	*Usable on code assy •MV/Effect	I C Y
1A							
-	19	2	0396G	038193 (ISO 7089)	• • Washer 5.3		
-	20	6	0396G	038206 (ISO 7089)	• • Washer 6.4		
-	21	4	0396G	038208 (ISO 7089)	• • Washer 8.4		
-	22	2	0396G	038862 (ISO 1234)	• • Cotter pin 1x12		
-	23	8	0396G	040006 (ISO 1234)	• • Cotter pin 1.6x20		
-	24	6	0396G	039310 (ISO 1234)	• • Cotter pin 2x20		
-	25	2	0396G	039729 (ISO 1234)	• • Cotter pin 2.5x25		
-	26	3	0396G	040351 (ISO 1234)	• • Cotter pin 4x40		
-	27	25	0396G	038237 (ISO 7089)	• • Washer 3.7		
-	28	4	0396G	038126 (DIN 463)	• • Washer 6.4		
-	29	3	0396G	002132 (ISO 4017)	• • Screw M8x12		
-	30	3	0396G	038241	• • Washer 8.4		
-	31	3	0396G	086381	• • Securing pin		
-	32	2	0396G	053822	• • Sealing ring		
-	33	2	0396G	059298	• • Ring 20x1.5		
	40	1	0396G	S9 01-10 01	• Pitot tube cover		
	41	3	0396G	E9 00-11 03	• Pad for jacks		
	42	2	0396G	769105	• Bag		

Applicability: All

SPORTSTAR-A-10-00-01-01A-941A-D

Fig.	Item	Units per assembly / Units of issue	NCAGE	Part Number NATO Stock Number	Nomenclature	*Usable on code assy •MV/Effect	I C Y
1A							
	43	3	0396G	901720	• Anchor		
	44	1	0396G	088466	• Bag for aircraft documents		
	45	1	0396G	769002	• Drain valve extension		
	46	1	0396G	335105	• Fuel draining fixture		

This page has been intentionally left blank.

Aircraft identification plate

Illustrated parts data

Table of Contents	Page
Aircraft identification plate - Illustrated parts data.....	1

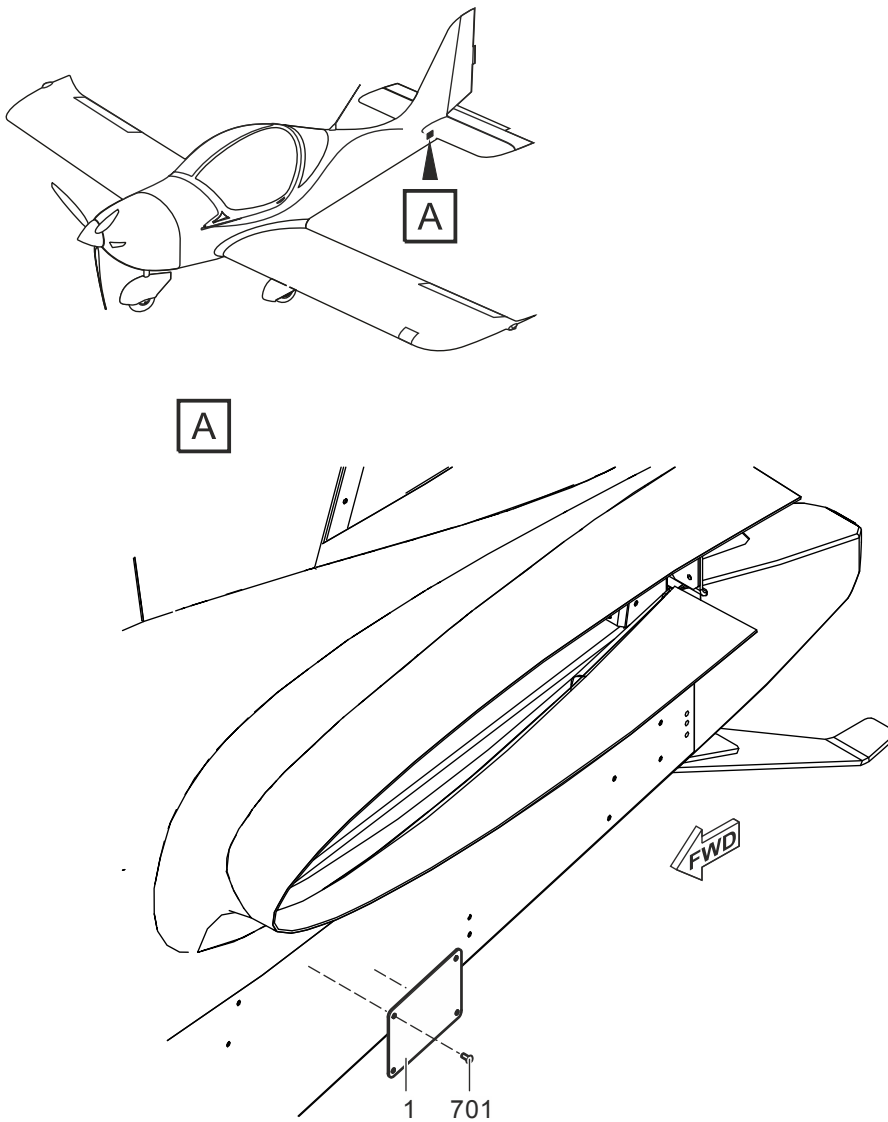
Index of Tables	Page
1 References.....	1

Index of Figures	Page
1 Aircraft identification plate.....	2

References

Table 1 References

Data module/Technical publication	Title
None	



ICN-SPORTSTAR-A-11-20-00-E-0396G-00087-A-001-01.CGM

Figure 1: Aircraft identification plate

Fig.	Item	Units per assembly / Units of issue	NCAGE	Part Number NATO Stock Number	Nomenclature	*Usable on code assy •MV/Effect	I C Y
1A							
-	0	1	0396G	S8 09-31 01	Aircraft identification plate		
	1	1	0396G	S8 09-31 21	• Identification plate		
	701	4	0396G	047560 (AVDEL 1691-0410)	• Rivet 3.2x7.9		

Applicability: All

SPORTSTAR-A-11-20-01-01A-941A-D

End of data module

OPEN

2019-01-04 Page 2

Shield set for winter operation

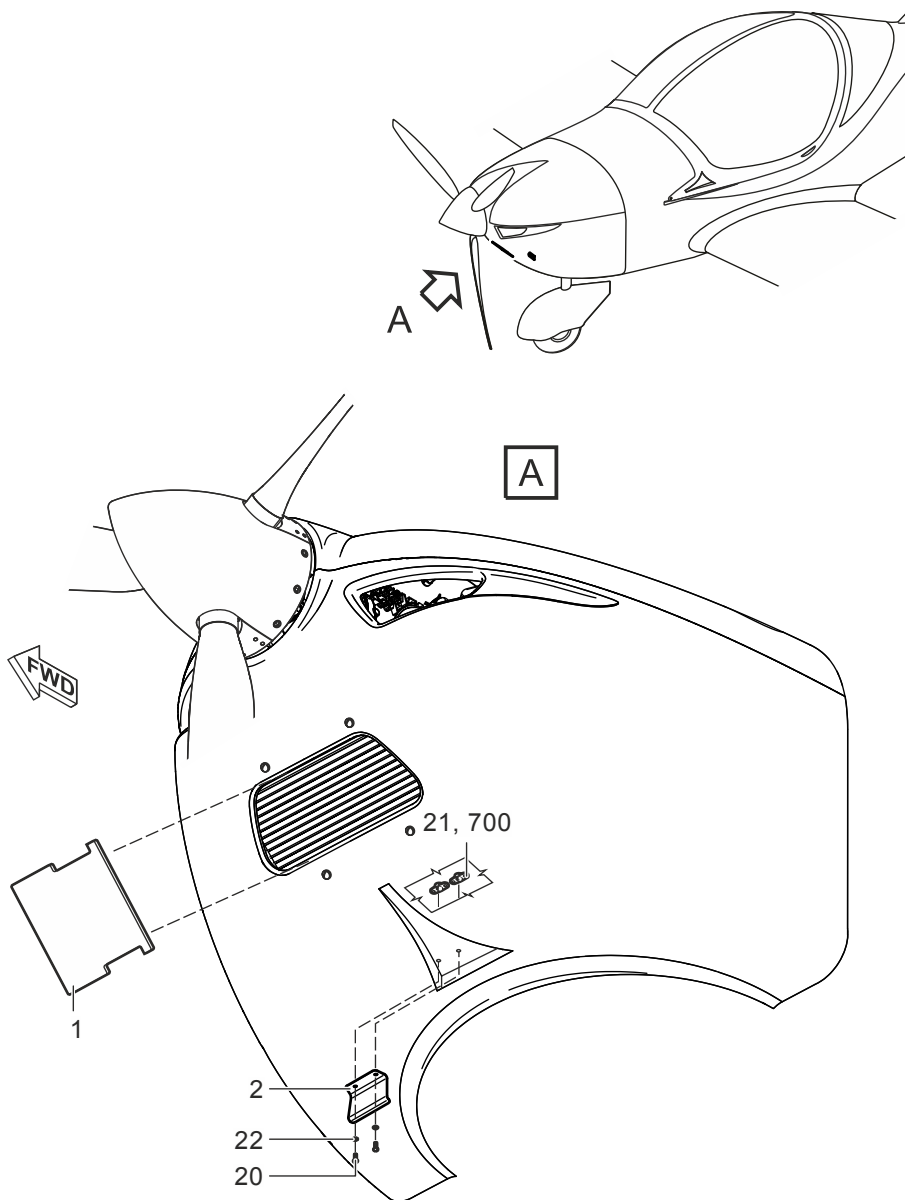
Illustrated parts data

Table of Contents		Page
	Shield set for winter operation - Illustrated parts data.....	1
Index of Tables		Page
1	References.....	1
Index of Figures		Page
1	Shield set for winter operation.....	2

References

Table 1 References

Data module/Technical publication	Title
None	



ICN-SPORTSTAR-A-12-30-00-E-0396G-00041-A-001-01.CGM

Figure 1: Shield set for winter operation

Fig.	Item	Units per assembly / Units of issue	NCAGE	Part Number NATO Stock Number	Nomenclature	*Usable on code assy •MV/Effect	I C Y
1A							
-	0	1	0396G	S9 25-00 01	Shield set for winter operation		
	1	1	0396G	S9 25-00 21	• Cooler shield		

Applicability: All

SPORTSTAR-A-12-31-00-01A-941A-D

Fig.	Item	Units per assembly / Units of issue	NCAGE	Part Number NATO Stock Number	Nomenclature	*Usable on code assy •MV/Effect	I C Y
1A							
	2	1	0396G	S9 25-01 21	• NACA inlet shield		
	20	2	0396G	004985	• Screw M4x12		
	21	3	0396G	033601	• Nut M4		
	22	2	0396G	038237 (ISO 7089)	• Washer 3.7		
-	700	4	0396G	047590 (AVDEL 1604-0412)	• Rivet 3.2x9.5		

This page has been intentionally left blank.

Heating and venting system

Illustrated parts data

Table of Contents	Page
Heating and venting system - Illustrated parts data.....	1

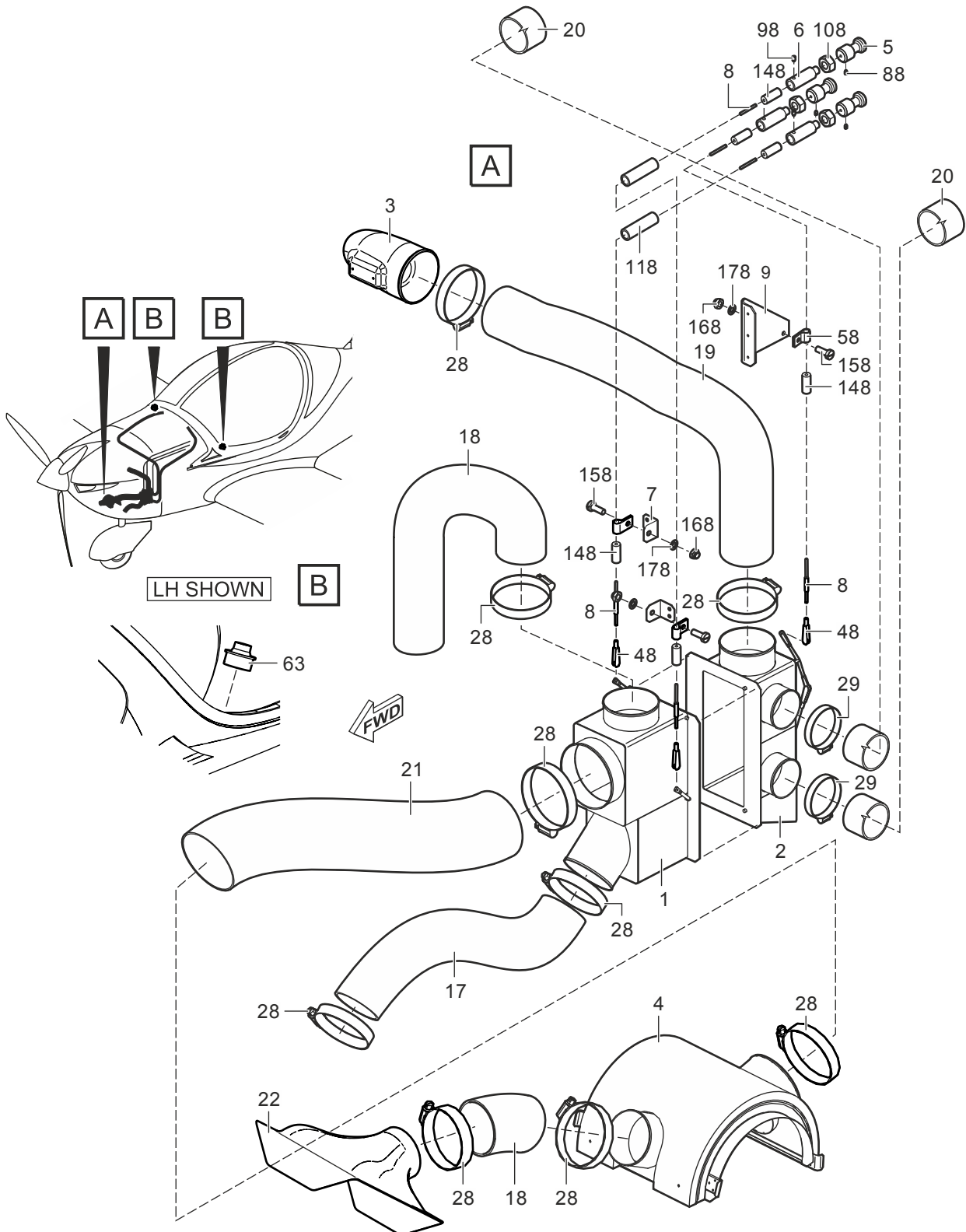
Index of Tables	Page
1 References.....	1

Index of Figures	Page
1 Heating and venting system.....	2

References

Table 1 References

Data module/Technical publication	Title
None	



ICN-SPORTSTAR-A-21-00-00-E-0396G-00026-A-001-01.CGM

Figure 1: Heating and venting system

Fig.	Item	Units per assembly / Units of issue	NCAGE	Part Number NATO Stock Number	Nomenclature	*Usable on code assy •MV/Effect	I C Y
1A							
-	0	1	0396G	S8 46-00 01	Heating and venting system		
	1	1	0396G	S8 43-01 01	• Mixing chamber		
	2	1	0396G	S8 44-01 01	• Distribution chamber		
	3	1	0396G	S8 41-20 01	• Air outlet		
	4	1	0396G	S8 45-01 01	• Heat exchanger		
	5	3	0396G	E6 13-05 21	• Control knob		
	6	3	0396G	768825	• End piece		
	7	2	0396G	E8 00-49 02	• Bracket		
	8	3	0396G	E8 00-49 01	• Bowden wire		
	9	1	0396G	S8 40-25 21	• Bracket		
	17	AR	0396G	056216	• Air hose		
	18	AR	0396G	056473	• Air hose		
	19	AR	0396G	056496	• Air hose		
	20	AR	0396G	056497	• Air hose		
	21	AR	0396G	056474	• Air hose		
	22	1	0396G	S8 46-01 01	• Air inlet		
	28	9	0396G	055621 (DIN 3017)	• Hose clamp		
	29	2	0396G	055615 (DIN 3017)	• Hose clamp		
-	38	5	0396G	060357	• Cable tie		
-	39	1	0396G	060371	• Cable tie		
	48	3	0396G	768050	• Fork		

Fig.	Item	Units per assembly / Units of issue	NCAGE	Part Number NATO Stock Number	Nomenclature	*Usable on code assy •MV/Effect	I C Y
1A							
	58	3	0396G	059801	• Clamp		
-	60	AR	0396G	056445	• Protecting hose		
	63	2	0396G	079631	• Eye-ball vent		
	88	3	0396G	011900 (ISO 4026)	• Screw M3x4		
	98	3	0396G	011920 (ISO 4027)	• Screw M4x4		
	108	3	0396G	033860 (DIN 980 V)	• Nut M6		
	118	AR	0396G	083960	• Tube 8x1		
	148	AR	0396G	059275	• Bowden hose		
	158	4	0396G	007340 (ISO 4762)	• Screw M4x10		
	168	4	0396G	033850 (DIN 980 V)	• Nut M4		
	178	4	0396G	038204 (ISO 7089)	• Washer 4.3		
-	701	23	0396G	047554 (AVDEL BE61-0408)	• Rivet 3.2x6.4		
-	702	2	0396G	047558 (AVDEL BE61-0411)	• Rivet 3.2x8.7		
-	710	AR	0396G	096227	• Sealant Sabatack 750 black		

Static discharging

Illustrated parts data

Table of Contents

Page

Static discharging - Illustrated parts data.....	1
--	---

Index of Tables

Page

1 References.....	1
------------------------	---

Index of Figures

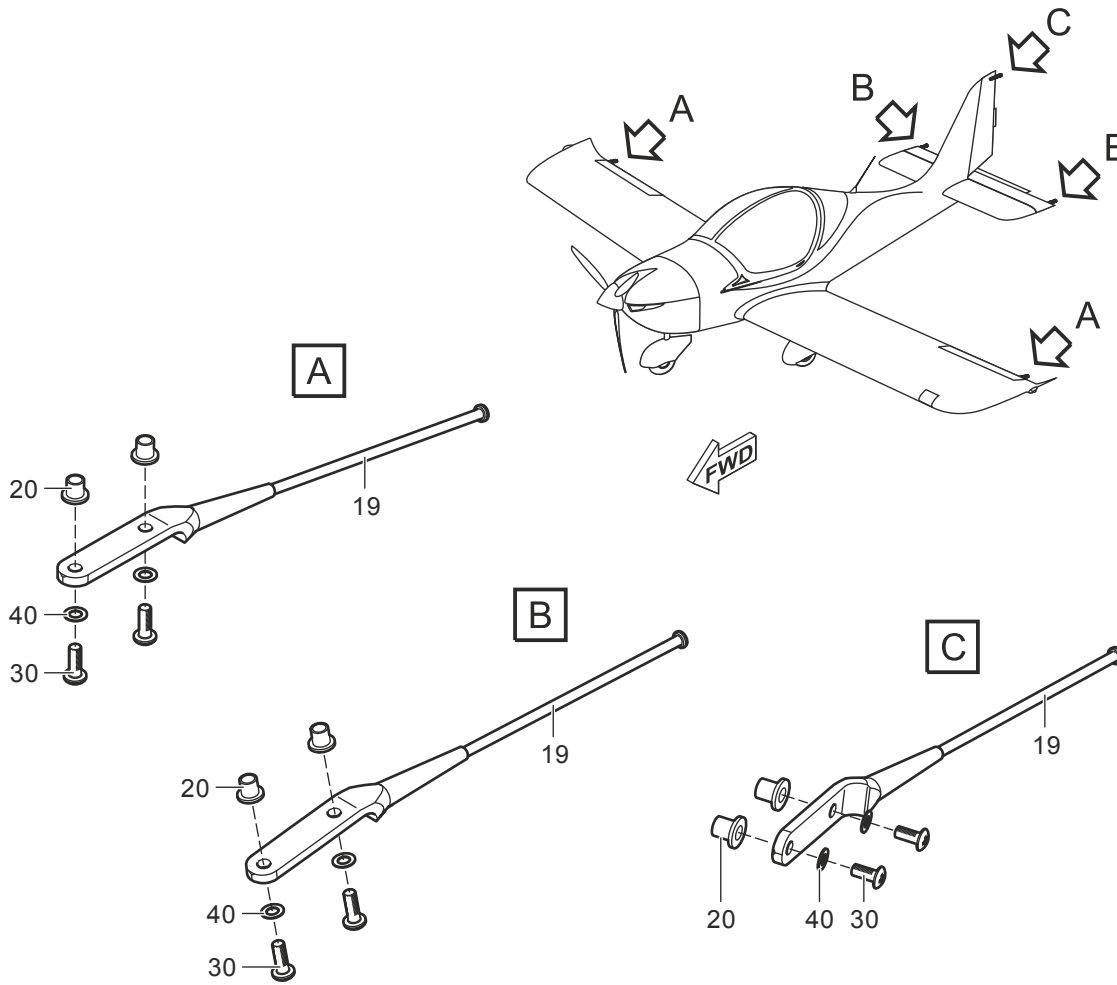
Page

1 Static dischargers.....	2
--------------------------------	---

References

Table 1 References

Data module/Technical publication	Title
None	



ICN-SPORTSTAR-A-23-60-00-E-0396G-00047-A-001-01.CGM
 Figure 1: Static dischargers

Fig.	Item	Units per assembly / Units of issue	NCAGE	Part Number NATO Stock Number	Nomenclature	*Usable on code assy •MV/Effect	I C Y
1A							
-	0	1	0396G	S7 00-08 01	Static dischargers		
	19	5	0396G	740508	• Static discharger		
	20	10	0396G	035410	• Anchor nut M4		
	30	10	0396G	011888 (ISO 7045)	• Screw M4x12		
	40	10	0396G	038204 (ISO 7089)	• Washer 4.3		

Applicability: All

SPORTSTAR-A-23-60-00-01A-941A-D



Fig.	Item	Units per assembly / Units of issue	NCAGE	Part Number NATO Stock Number	Nomenclature	*Usable on code assy •MV/Effect	I C Y
1A							
-	100	AR	0396G	096220	• Adhesive Loctite 243		

This page has been intentionally left blank.

DC generation

Illustrated parts data

Table of Contents	Page
DC generation - Illustrated parts data.....	1

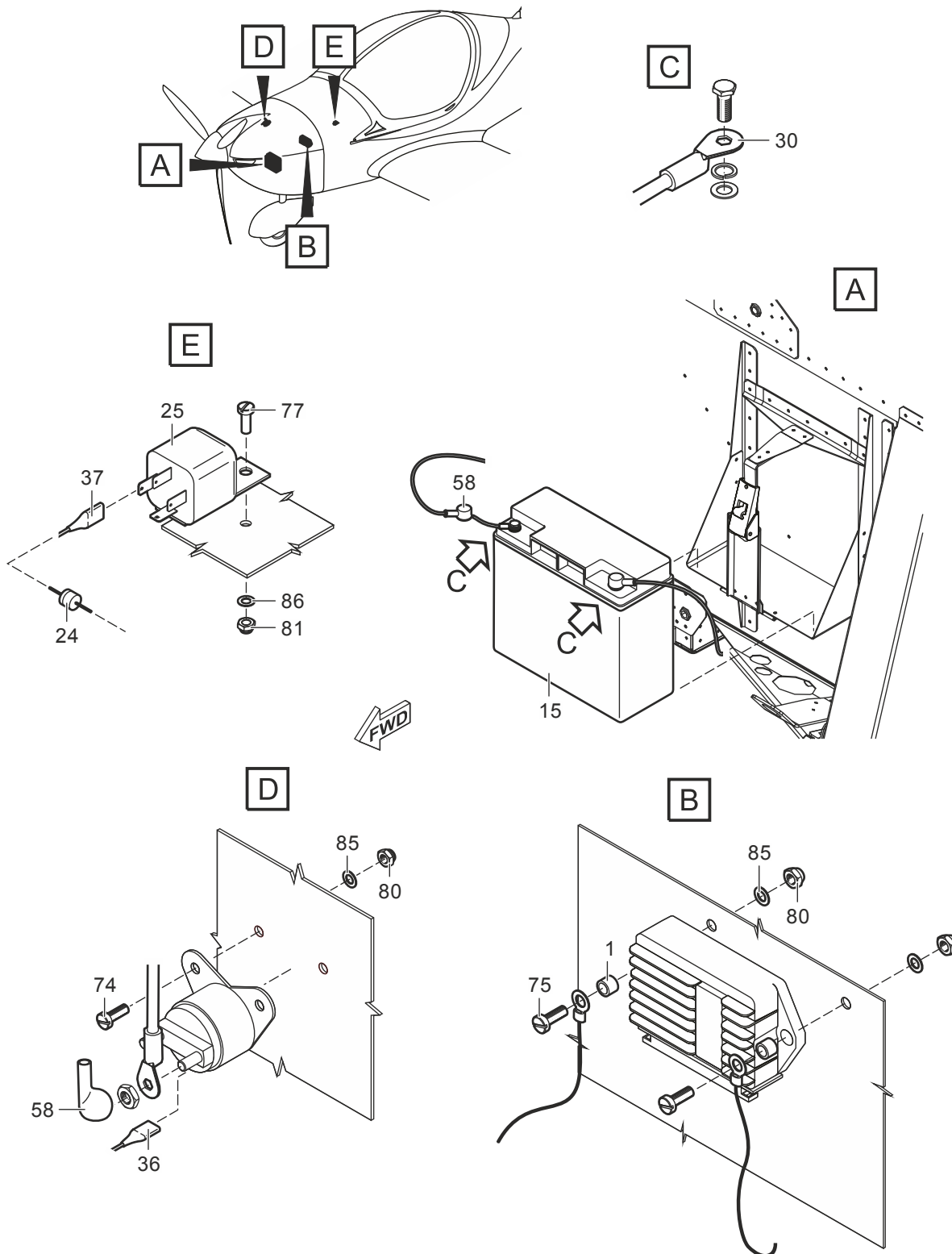
Index of Tables	Page
1 References.....	1

Index of Figures	Page
1 DC generation.....	2

References

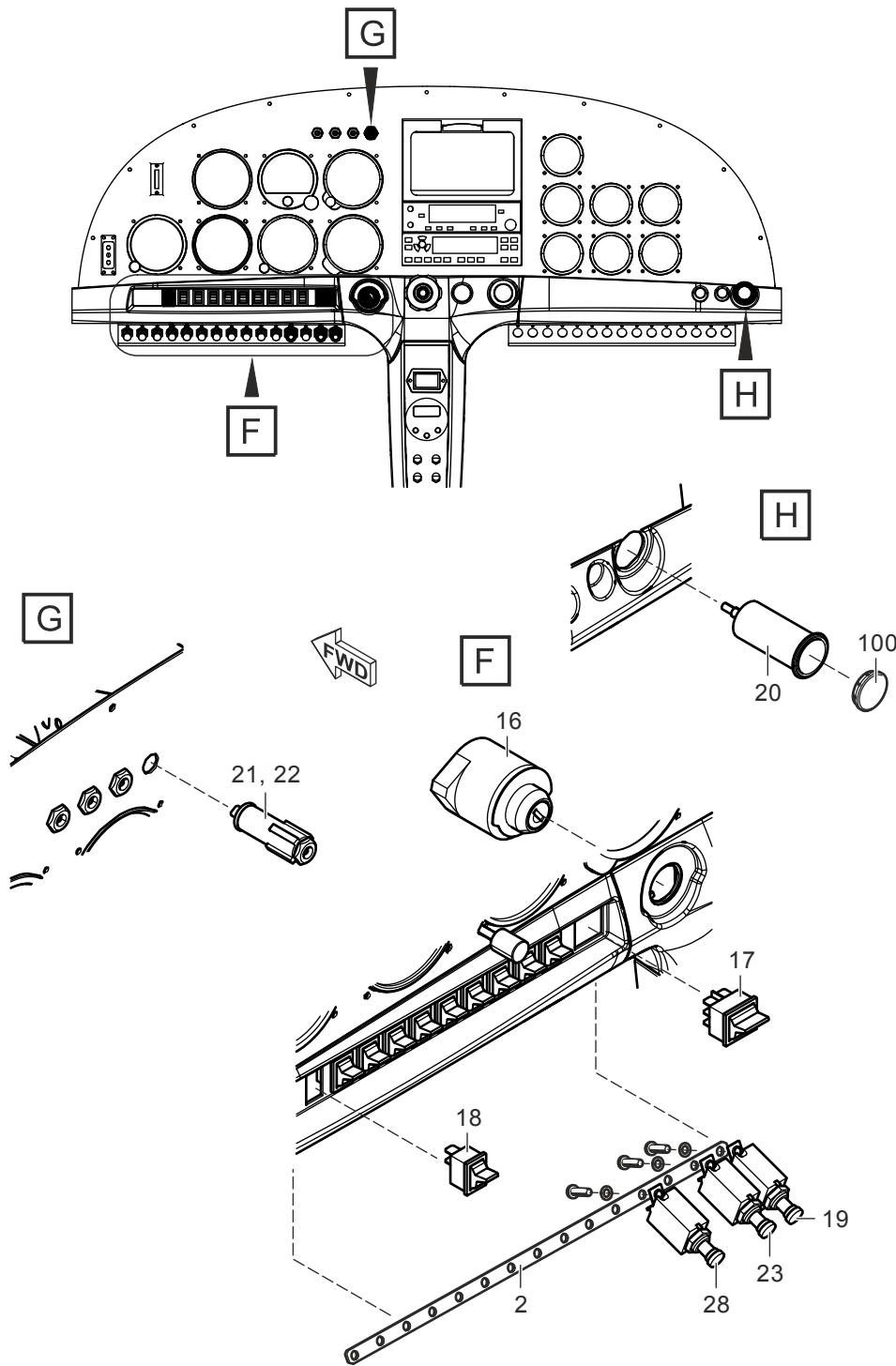
Table 1 References

Data module/Technical publication	Title
None	



ICN-SPORTSTAR-A-24-30-00-E-0396G-00098-A-001-01.CGM

Figure 1: DC generation (Sheet 1 of 2)



ICN-SPORTSTAR-A-24-30-00-E-0396G-00099-A-001-01.CGM

Figure 1: DC generation (Sheet 2 of 2)

Fig.	Item	Units per assembly / Units of issue	NCAGE	Part Number NATO Stock Number	Nomenclature	*Usable on code assy •MV/Effect	I C Y
1A							
-	0	1	0396G	E7 68-01 01	DC generation		
	1	2	0396G	768617	• Spacer		
	2	1	0396G	E7 68-02 21	• Connecting piece		
	15	1	0396G	070710	• Battery Forte 12200		
	16	1	0396G	069227	• Switch box		
	17	1	0396G	069115	• Switch		
	18	1	0396G	069110	• Switch		
	19	1	0396G	739590	• Circuit breaker		
	20	1	0396G	768013	• Socket		
	21	1	0396G	768010	• Signaling light - red		
	22	1	0396G	070557	• Bulb		
	23	1	0396G	739598	• Circuit breaker 2TC2-25		
	24	1	0396G	064519	• Diode		
	25	1	0396G	069665	• Switching relay		
-	26	1	0396G	768035	• Fuse holder		
-	27	2	0396G	768022	• Fuse		
	28	1	0396G	739585	• Circuit breaker 2TC2-1		
	30	6	0396G	739777	• Ring cable eye		
-	31	2	0396G	739763	• Ring cable eye		
-	32	4	0396G	739761	• Ring cable eye		
-	33	2	0396G	739772	• Ring cable eye		
-	34	6	0396G	739771	• Ring cable eye		
-	35	1	0396G	739762	• Ring cable eye		

Fig.	Item	Units per assembly / Units of issue	NCAGE	Part Number NATO Stock Number	Nomenclature	*Usable on code assy •MV/Effect	I C Y
1A							
	36	6	0396G	068636	• Connector Faston 4.8 (AWG22-16)		
	37	6	0396G	068637	• Connector Faston 6.3 (AWG22-16)		
-	38	2	0396G	068638	• Connector Faston 6.3 (AWG22-16)		
-	39	4	0396G	068639	• Connector Faston 6.3 (AWG16-14)		
-	41	1	0396G	069708	• Connecting socket		
-	45	AR	0396G	739682	• Electrical wire AE20		
-	46	AR	0396G	739684	• Electrical wire AE16		
-	47	AR	0396G	739685	• Electrical wire AE12		
-	48	AR	0396G	739680	• Electrical wire AE6		
-	49	AR	0396G	739681	• Electrical wire AE22		
-	50	2	0396G	739695	• Shielded wire TE20		
-	55	AR	0396G	088087	• Shrink tube RNF-3000		
-	56	AR	0396G	088088	• Shrink tube RNF-3000		
-	57	AR	0396G	088086	• Shrink tube RNF-3000		
	58	3	0396G	077415	• Rubber cover		
-	60	6	0396G	076815	• Bushing 7x1		
-	61	18	0396G	076818	• Bushing 7x2		
-	62	2	0396G	076900	• Bushing 11x1		
-	63	3	0396G	076950	• Bushing 13x1		
-	65	100	0396G	060332	• Cable tie		
-	66	50	0396G	060333	• Cable tie		

Applicability: All

SPORTSTAR-A-24-30-00-01A-941A-D

Fig.	Item	Units per assembly / Units of issue	NCAGE	Part Number NATO Stock Number	Nomenclature	*Usable on code assy •MV/Effect	I C Y
1A							
-	68	6	0396G	060217	• Clamp		
-	70	1	0396G	064611	• Clamp		
-	72	6	0396G	060465	• Self-adhesive clamp		
-	73	AR	0396G	079876	• Protective spiral		
	74	2	0396G	004151 (ISO 1207)	• Screw M5x12		
	75	2	0396G	004190	• Screw M5x16		
	76	9	0396G	004980 (ISO 1207)	• Screw M4x12		
	77	2	0396G	004974 (ISO 1207)	• Screw M4x10		
	79	1	0396G	035404	• Nut M6		
	80	4	0396G	033855 (DIN 980 V)	• Nut M5		
	81	14	0396G	033850 (DIN 980 V)	• Nut M4		
	83	1	0396G	037090	• Washer 6.1		
	84	4	0396G	038206 (ISO 7089)	• Washer 6.4		
	85	4	0396G	038193 (ISO 7089)	• Washer 5.3		
	86	15	0396G	038204 (ISO 7089)	• Washer 4.3		
	100	1	0396G	768018	• Socket cover		
-	501	AR	0396G	086956	• Self fusing wrap		
-	502	AR	0396G	097311	• Vaseline Lukosan M14		

Rectifier capacitor

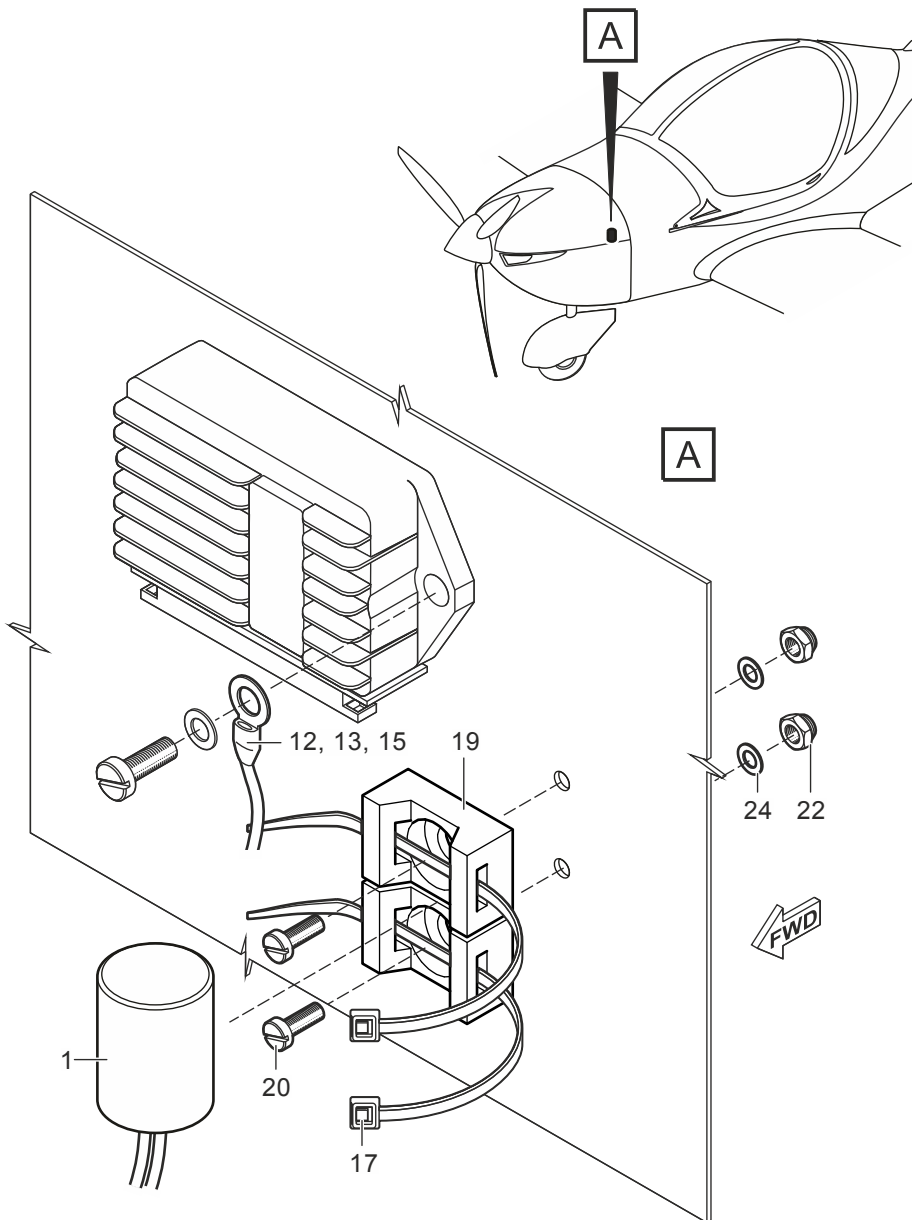
Illustrated parts data

Table of Contents	Page
Rectifier capacitor - Illustrated parts data.....	1
Index of Tables	Page
1 References.....	1
Index of Figures	Page
1 Rectifier capacitor.....	2

References

Table 1 References

Data module/Technical publication	Title
None	



ICN-SPORTSTAR-A-24-30-00-E-0396G-00067-A-001-01.CGM

Figure 1: Rectifier capacitor

Fig.	Item	Units per assembly / Units of issue	NCAGE	Part Number NATO Stock Number	Nomenclature	*Usable on code assy •MV/Effect	I C Y
1A							
-	0	1	0396G	E7 68-20 01	Rectifier capacitor		
	1	1	0396G	071315	• Capacitor		

Applicability: All

SPORTSTAR-A-24-30-01-01A-941A-D

Fig.	Item	Units per assembly / Units of issue	NCAGE	Part Number NATO Stock Number	Nomenclature	*Usable on code assy •MV/Effect	I C Y
1A							
	12	1	0396G	739773	• Ring cable eye		
	13	AR	0396G	739682	• Electrical wire AE20		
	15	AR	0396G	088087	• Shrink tube RNF-3000		
-	16	AR	0396G	088086	• Shrink tube RNF-3000		
	17	2	0396G	060333	• Cable tie		
-	18	2	0396G	060332	• Cable tie		
	19	2	0396G	060217	• Clamp		
-	20	2	0396G	004974 (ISO 1207)	• Screw M4x10		
	22	2	0396G	033850 (DIN 980 V)	• Nut M4		
	24	2	0396G	038204 (ISO 7089)	• Washer 4.3		
-	501	AR	0396G	086956	• Self fusing wrap		

This page has been intentionally left blank.

Voltmeter

Illustrated parts data

Table of Contents

	Page
Voltmeter - Illustrated parts data.....	1

Index of Tables

	Page
1 References.....	1

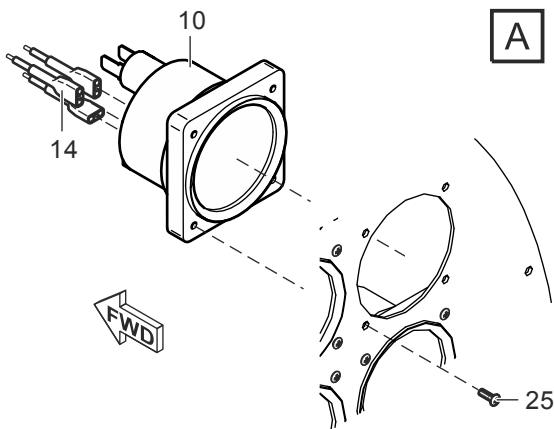
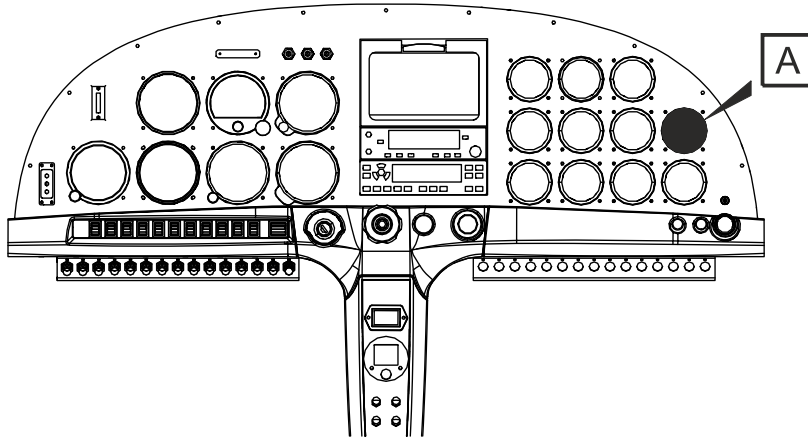
Index of Figures

	Page
1 Voltmeter.....	2

References

Table 1 References

Data module/Technical publication	Title
None	



ICN-SPORTSTAR-A-24-30-00-E-0396G-00105-A-001-01.CGM

Figure 1: Voltmeter

Fig.	Item	Units per assembly / Units of issue	NCAGE	Part Number NATO Stock Number	Nomenclature	*Usable on code assy •MV/Effect	I C Y
1A							
-	0	1	0396G	E7 65-30 01	Voltmeter		
	10	1	0396G	080335 (MITCHEL D1-211-5086)	• Voltmeter		
-	13	2	0396G	739772	• Ring cable eye		
-	14	2	0396G	068637	• Connector Faston 6.3 (AWG22-16)		
-	17	AR	0396G	739681	• Electrical wire AE22		
-	18	AR	0396G	088086	• Shrink tube RNF-3000		

Applicability: All

SPORTSTAR-A-24-30-02-01A-941A-D



Fig.	Item	Units per assembly / Units of issue	NCAGE	Part Number NATO Stock Number	Nomenclature	*Usable on code assy •MV/Effect	I C Y
1A							
-	19	AR	0396G	088087	• Shrink tube RNF-3000		
-	22	5	0396G	060332	• Cable tie		
	25	4	0396G	023805	• Screw 6-32x0.75"		

This page has been intentionally left blank.

Battery Forte 12200

Illustrated parts data

Table of Contents	Page
Battery Forte 12200 - Illustrated parts data.....	1

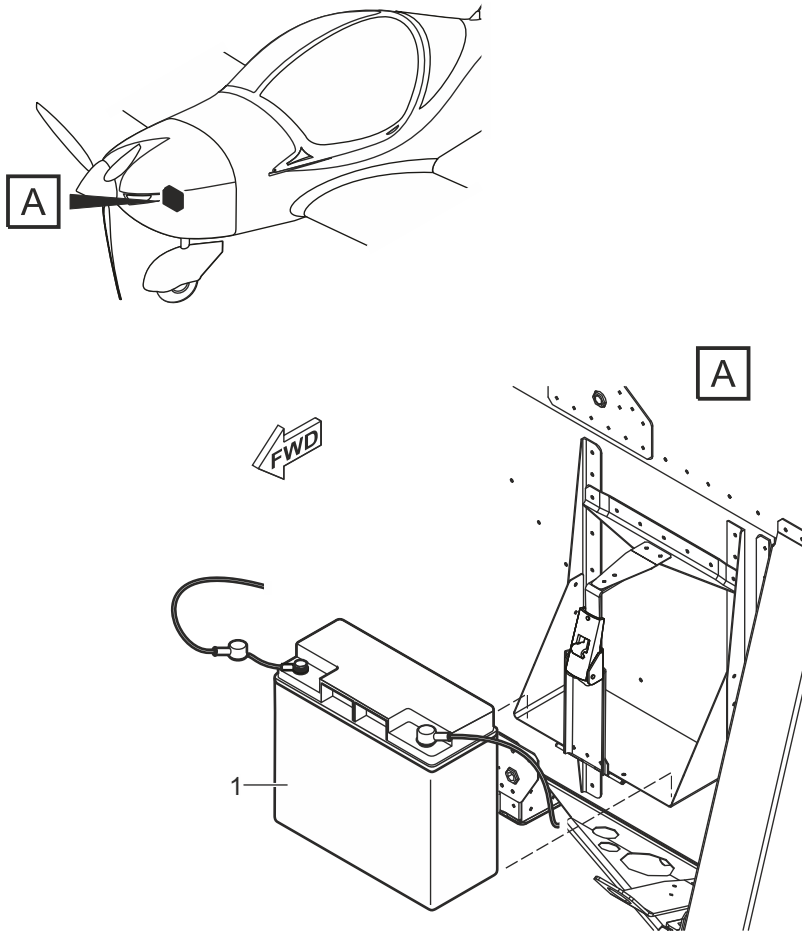
Index of Tables	Page
1 References.....	1

Index of Figures	Page
1 Battery Forte 12200.....	2

References

Table 1 References

Data module/Technical publication	Title
None	



ICN-SPORTSTAR-A-24-30-00-E-0396G-00155-A-001-01.CGM

Figure 1: Battery Forte 12200

Fig.	Item	Units per assembly / Units of issue	NCAGE	Part Number NATO Stock Number	Nomenclature	*Usable on code assy •MV/Effect	I C Y
1A							
-	0	1	0396G	24-01	Battery Forte FG12200		
	1	1	0396G	070705	• Battery Forte FG12200		

DC generation with auxiliary generator

Illustrated parts data

Table of Contents	Page
DC generation with auxiliary generator - Illustrated parts data.....	1

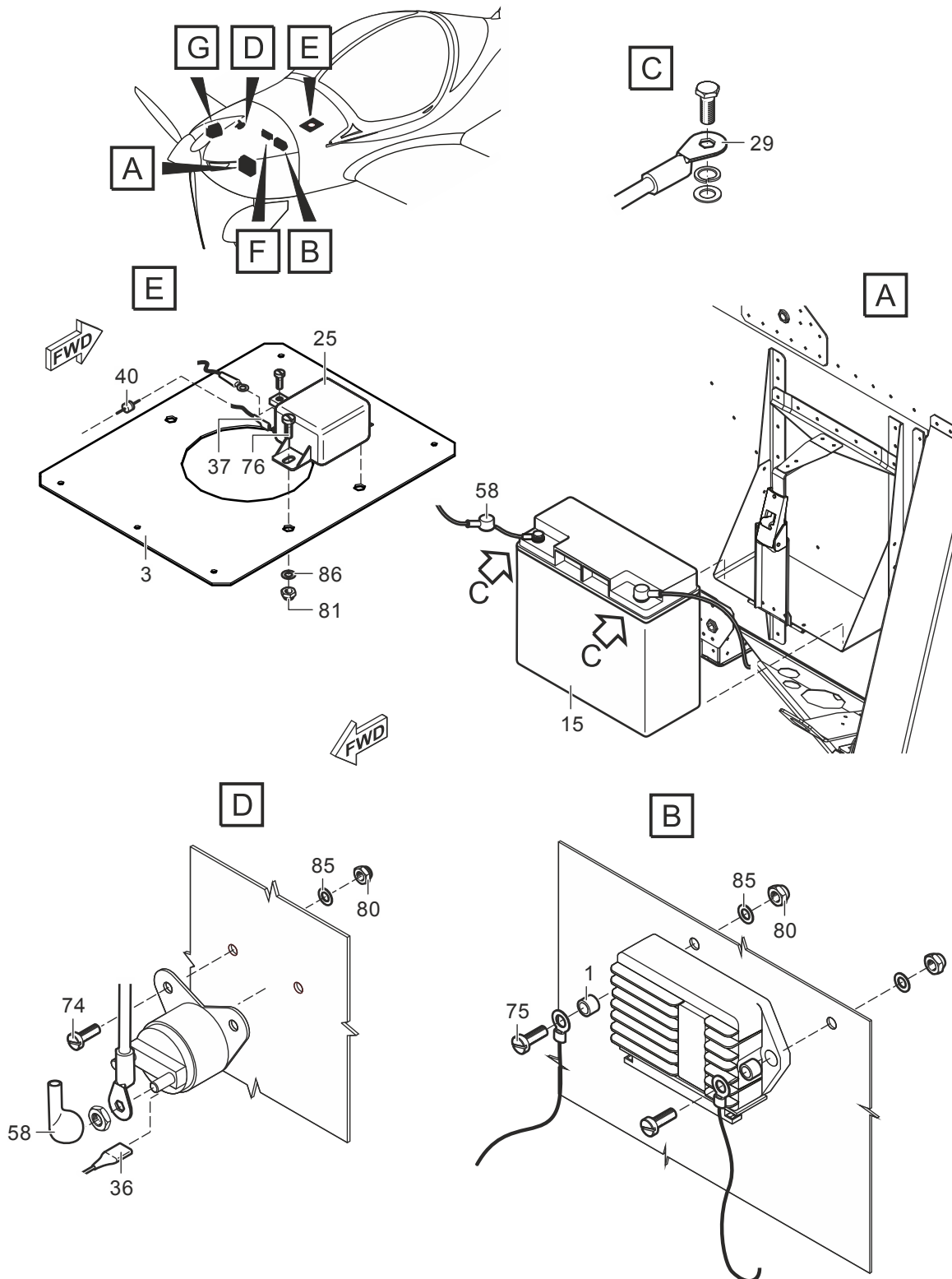
Index of Tables	Page
1 References.....	1

Index of Figures	Page
1 DC generation with auxiliary generator SD-20.....	2

References

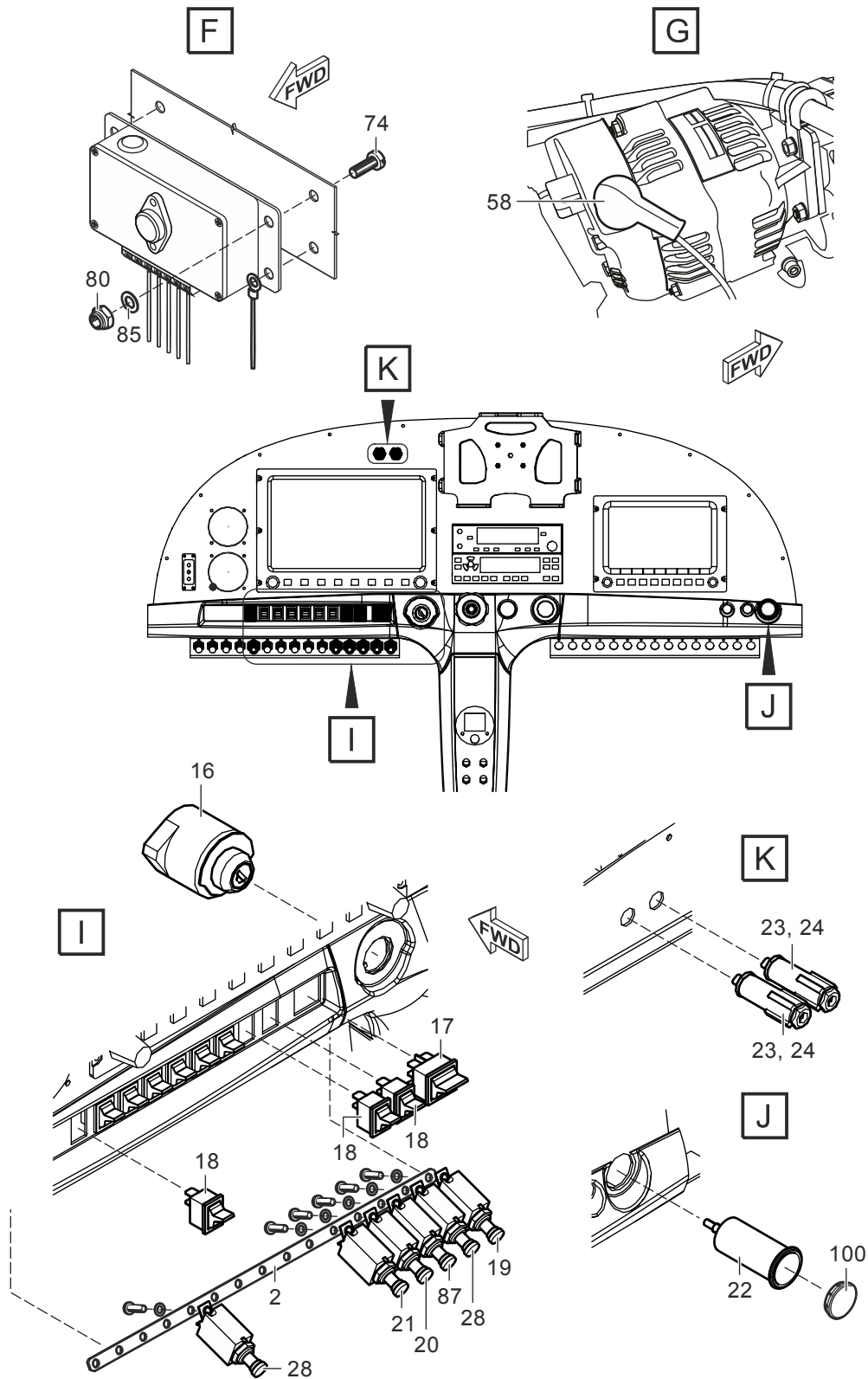
Table 1 References

Data module/Technical publication	Title
None	



ICN-SPORTSTAR-A-24-30-00-E-0396G-00140-A-001-01.CGM

Figure 1: DC generation with auxiliary generator SD-20 (Sheet 1 of 2)



ICN-SPORTSTAR-A-24-30-00-E-0396G-00141-A-001-01.CGM

Figure 1: DC generation with auxiliary generator SD-20 (Sheet 2 of 2)

Fig.	Item	Units per assembly / Units of issue	NCAGE	Part Number NATO Stock Number	Nomenclature	*Usable on code assy •MV/Effect	I C Y
1A							
-	0	1	0396G	E7 68-31 01	DC generation with auxiliary generator		
	1	2	0396G	768617	• Spacer		
	2	2	0396G	E7 68-02 21	• Connecting piece		
	3	1	0396G	E8 03-08 21	• • Bracket		
	15	1	0396G	070710	• Battery Forte 12200		
	16	1	0396G	069227	• Switch box		
	17	1	0396G	069115	• Switch		
	18	3	0396G	069110	• Switch		
	19	1	0396G	739591	• Circuit breaker		
	20	1	0396G	739590	• Circuit breaker		
	21	1	0396G	739588	• Circuit breaker 2TC2-5		
	22	1	0396G	768013	• Socket		
	23	2	0396G	768010	• Signaling light - red		
	24	2	0396G	070557	• Bulb		
	25	1	0396G	069673	• Switching relay		
-	26	1	0396G	768035	• Fuse holder		
-	27	2	0396G	768022	• Fuse		
	28	2	0396G	739585	• Circuit breaker 2TC2-1		
	29	6	0396G	739777	• Ring cable eye		
-	30	3	0396G	739763	• Ring cable eye		
-	31	3	0396G	739762	• Ring cable eye		
-	32	11	0396G	739761	• Ring cable eye		

Fig.	Item	Units per assembly / Units of issue	NCAGE	Part Number NATO Stock Number	Nomenclature	*Usable on code assy •MV/Effect	I C Y
1A							
-	33	1	0396G	739773	• Ring cable eye		
-	34	19	0396G	739772	• Ring cable eye		
-	35	6	0396G	739771	• Ring cable eye		
	36	10	0396G	068636	• Connector Faston 4.8 (AWG22-16)		
	37	8	0396G	068637	• Connector Faston 6.3 (AWG22-16)		
-	38	3	0396G	068638	• Connector Faston 6.3 (AWG22-16)		
-	39	2	0396G	068639	• Connector Faston 6.3 (AWG16-14)		
	40	1	0396G	064519	• Diode		
-	41	1	0396G	069708	• Connecting socket		
-	42	AR	0396G	739681	• Electrical wire AE22		
-	44	AR	0396G	739682	• Electrical wire AE20		
-	45	AR	0396G	739683	• Electrical wire AE18		
-	46	AR	0396G	739684	• Electrical wire AE16		
-	47	AR	0396G	739685	• Electrical wire AE12		
-	48	AR	0396G	739686	• Electrical wire AE10		
-	49	AR	0396G	739680	• Electrical wire AE6		
-	50	2	0396G	739695	• Shielded wire TE20		
-	53	AR	0396G	079876	• Protective spiral		
-	55	AR	0396G	088086	• Shrink tube RNF-3000		
-	56	AR	0396G	088087	• Shrink tube RNF-3000		
-	57	AR	0396G	088088	• Shrink tube RNF-3000		

Applicability: All

SPORTSTAR-A-24-31-00-01A-941A-D

Fig.	Item	Units per assembly / Units of issue	NCAGE	Part Number NATO Stock Number	Nomenclature	*Usable on code assy •MV/Effect	I C Y
1A							
	58	4	0396G	077415	• Rubber cover		
-	60	6	0396G	076815	• Bushing 7x1		
-	61	18	0396G	076818	• Bushing 7x2		
-	62	2	0396G	076900	• Bushing 11x1		
-	63	3	0396G	076950	• Bushing 13x1		
-	65	115	0396G	060332	• Cable tie		
-	66	55	0396G	060333	• Cable tie		
-	68	6	0396G	060217	• Clamp		
-	69	1	0396G	079620	• Tie 1x18		
-	70	1	0396G	064613	• Cable sleeve		
-	71	6	0396G	060465	• Self-adhesive clamp		
	74	8	0396G	004151 (ISO 1207)	• Screw M5x12		
	75	2	0396G	004190	• Screw M5x16		
	76	10	0396G	004974 (ISO 1207)	• Screw M4x10		
-	77	9	0396G	004980 (ISO 1207)	• Screw M4x12		
-	78	1	0396G	001691 (ISO 4017)	• Screw M4x10		
	79	2	0396G	030391	• Nut M6		
	80	10	0396G	033855 (DIN 980 V)	• Nut M5		
	81	14	0396G	033850 (DIN 980 V)	• Nut M4		
-	83	2	0396G	037090	• Washer 6.1		

Fig.	Item	Units per assembly / Units of issue	NCAGE	Part Number NATO Stock Number	Nomenclature	*Usable on code assy •MV/Effect	I C Y
1A							
-	84	2	0396G	038206 (ISO 7089)	• Washer 6.4		
	85	16	0396G	038193 (ISO 7089)	• Washer 5.3		
	86	17	0396G	038204 (ISO 7089)	• Washer 4.3		
	87	1	0396G	739598	• Circuit breaker 2TC2-25		
	100	1	0396G	768018	• Socket cover		
-	501	AR	0396G	086956	• Self fusing wrap		
-	502	AR	0396G	097311	• Vaseline Lukosan M14		
-	701	6	0396G	047560 (AVDEL 1691-0410)	• Rivet 3.2x7.9		

This page has been intentionally left blank.

DC generation with auxiliary generator

Illustrated parts data

Table of Contents	Page
DC generation with auxiliary generator - Illustrated parts data.....	1

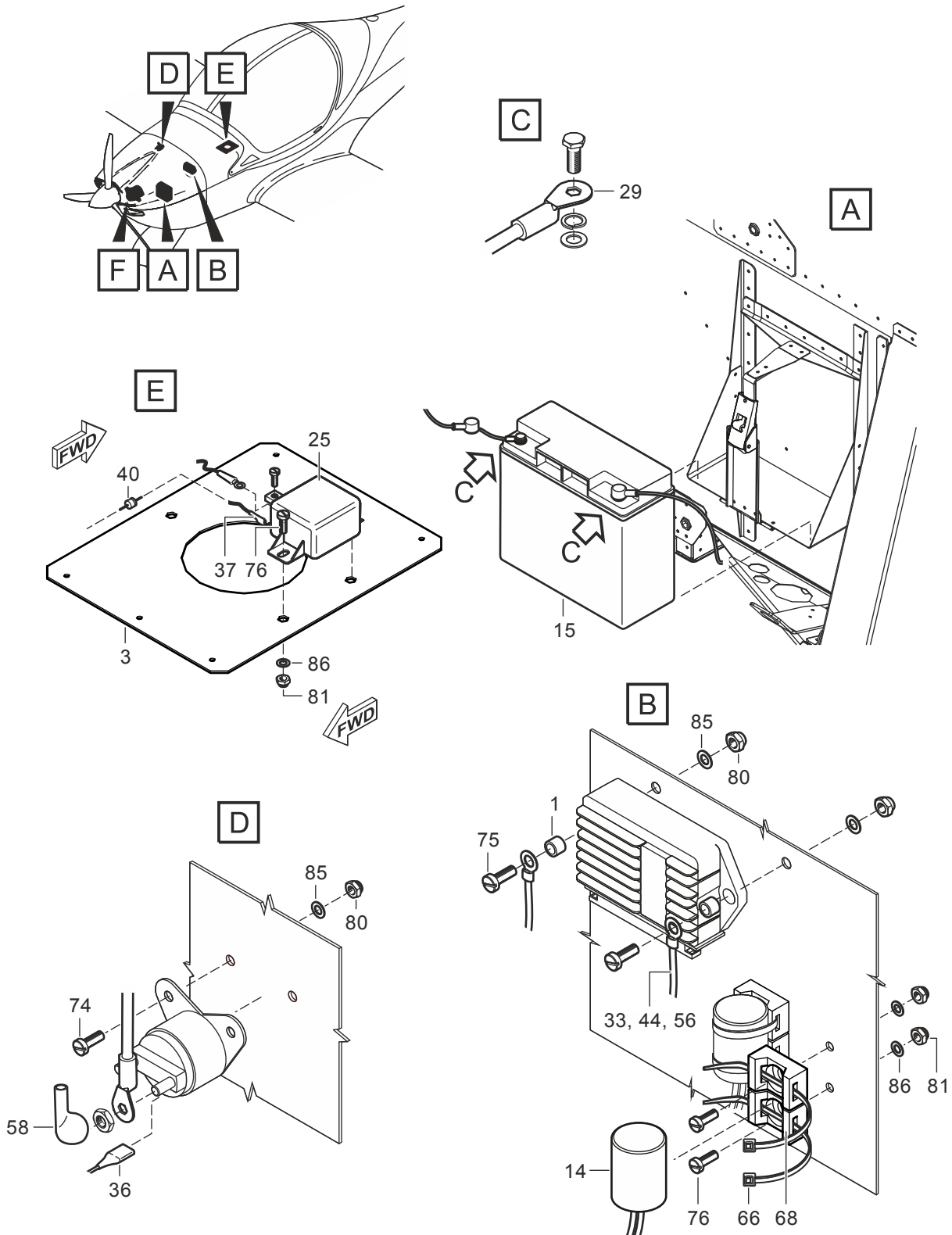
Index of Tables	Page
1 References.....	1

Index of Figures	Page
1 DC generation with external alternator F3A.....	2

References

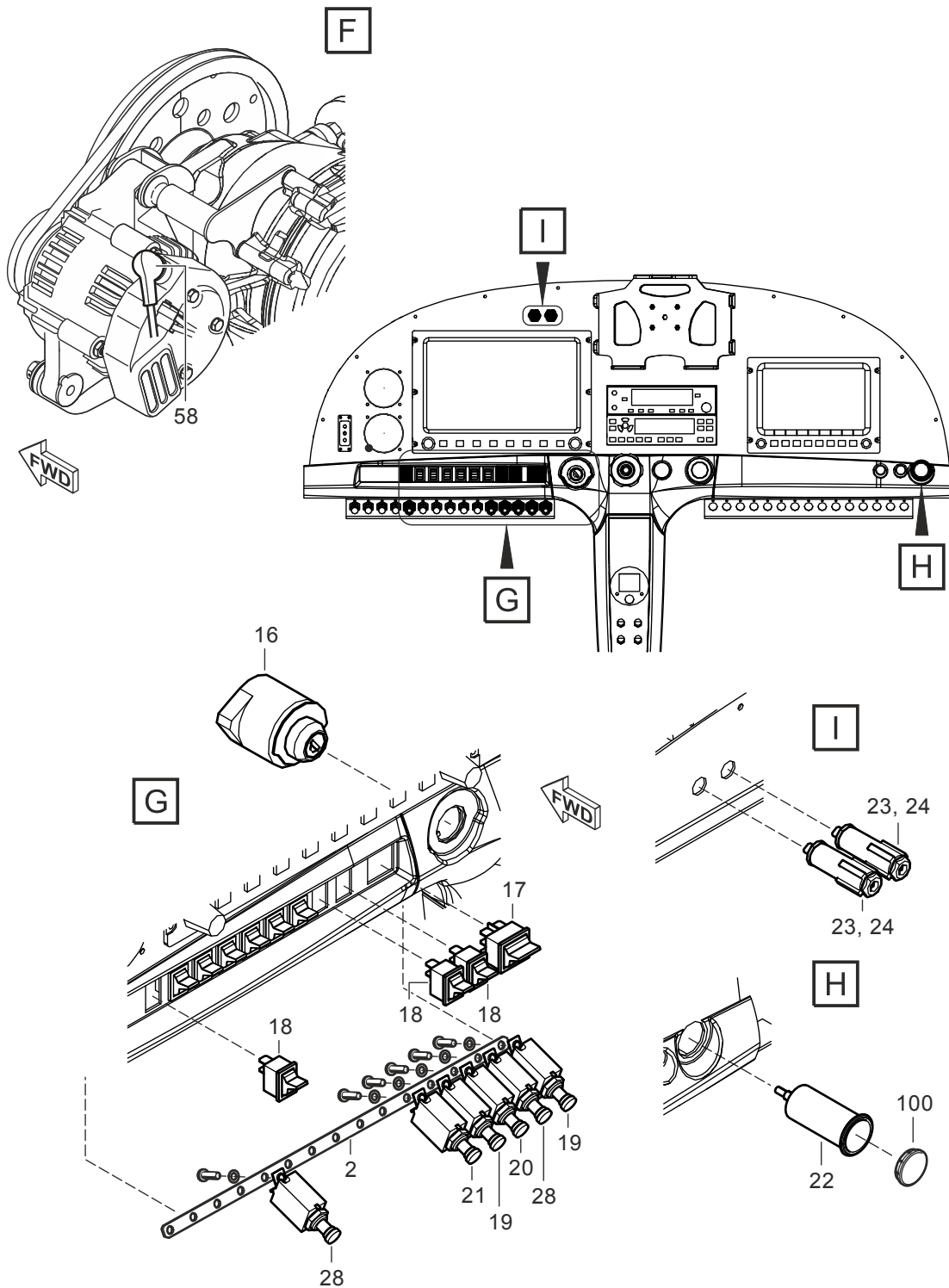
Table 1 References

Data module/Technical publication	Title
None	



ICN-SPORTSTAR-A-24-30-00-E-0396G-00182-A-000-01.CGM

Figure 1: DC generation with external alternator F3A (Sheet 1 of 2)



ICN-SPORTSTAR-A-24-30-00-E-0396G-00183-A-000-01.CGM

Figure 1: DC generation with external alternator F3A (Sheet 2 of 2)

Fig.	Item	Units per assembly / Units of issue	NCAGE	Part Number NATO Stock Number	Nomenclature	*Usable on code assy •MV/Effect	I C Y
1B							
-	0	1	0396G	S7 68-31 01	DC generation with auxiliary generator F3A		
	1	2	0396G	768617	• Spacer		
	2	1	0396G	E7 68-02 21	• Connecting piece		
	3	1	0396G	E8 03-08 21	• Bracket		
	14	1	0396G	071315	• Capacitor		
	15	1	0396G	070710	• Battery Forte 12200		
	16	1	0396G	069227	• Switch box		
	17	1	0396G	069115	• Switch		
	18	3	0396G	069110	• Switch		
	19	2	0396G	739591	• Circuit breaker		
	20	1	0396G	739598	• Circuit breaker 2TC2-25		
	21	1	0396G	739588	• Circuit breaker 2TC2-5		
	22	1	0396G	768013	• Socket		
	23	2	0396G	768010	• Signaling light - red		
	24	2	0396G	070530	• LED Bulb		
	25	1	0396G	069673	• Switching relay		
-	26	1	0396G	768035	• Fuse holder		
-	27	2	0396G	768022	• Fuse		
	28	2	0396G	739585	• Circuit breaker 2TC2-1		
	29	6	0396G	739777	• Ring cable eye		
-	30	3	0396G	739763	• Ring cable eye		
-	31	3	0396G	739762	• Ring cable eye		

Fig.	Item	Units per assembly / Units of issue	NCAGE	Part Number NATO Stock Number	Nomenclature	*Usable on code assy •MV/Effect	I C Y
1B							
-	32	11	0396G	739761	• Ring cable eye		
	33	2	0396G	739773	• Ring cable eye		
-	34	19	0396G	739772	• Ring cable eye		
-	35	6	0396G	739771	• Ring cable eye		
	36	10	0396G	068636	• Connector Faston 4.8 (AWG22-16)		
	37	8	0396G	068637	• Connector Faston 6.3 (AWG22-16)		
-	38	3	0396G	068638	• Connector Faston 6.3 (AWG22-16)		
-	39	2	0396G	068639	• Connector Faston 6.3 (AWG16-14)		
	40	1	0396G	064519	• Diode		
-	41	1	0396G	069708	• Connecting socket		
-	42	AR	0396G	739681	• Electrical wire AE22		
	44	AR	0396G	739682	• Electrical wire AE20		
-	45	AR	0396G	739683	• Electrical wire AE18		
-	46	AR	0396G	739684	• Electrical wire AE16		
-	47	AR	0396G	739685	• Electrical wire AE12		
-	48	AR	0396G	739686	• Electrical wire AE10		
-	49	AR	0396G	739680	• Electrical wire AE6		
-	50	AR	0396G	739695	• Shielded wire TE20		
-	53	AR	0396G	079876	• Protective spiral		
-	55	AR	0396G	088086	• Shrink tube RNF-3000		
	56	AR	0396G	088087	• Shrink tube RNF-3000		

Applicability: All

SPORTSTAR-A-24-31-00-01B-941A-D

Fig.	Item	Units per assembly / Units of issue	NCAGE	Part Number NATO Stock Number	Nomenclature	*Usable on code assy •MV/Effect	I C Y
1B							
-	57	AR	0396G	088088	• Shrink tube RNF-3000		
	58	4	0396G	077415	• Rubber cover		
-	60	6	0396G	076815	• Bushing 7x1		
-	61	18	0396G	076818	• Bushing 7x2		
-	62	2	0396G	076900	• Bushing 11x1		
-	63	3	0396G	076950	• Bushing 13x1		
-	65	115	0396G	060332	• Cable tie		
	66	55	0396G	060333	• Cable tie		
	68	8	0396G	060217	• Clamp		
-	69	1	0396G	079620	• Tie 1x18		
-	70	1	0396G	064613	• Cable sleeve		
-	71	6	0396G	060465	• Self-adhesive clamp		
	74	8	0396G	004151 (ISO 1207)	• Screw M5x12		
	75	2	0396G	004190	• Screw M5x16		
	76	12	0396G	004974 (ISO 1207)	• Screw M4x10		
-	77	9	0396G	004980 (ISO 1207)	• Screw M4x12		
-	78	1	0396G	001691 (ISO 4017)	• Screw M4x10		
	79	2	0396G	035404	• Nut M6		
	80	10	0396G	033855 (DIN 980 V)	• Nut M5		
	81	16	0396G	033850 (DIN 980 V)	• Nut M4		

Fig.	Item	Units per assembly / Units of issue	NCAGE	Part Number NATO Stock Number	Nomenclature	*Usable on code assy •MV/Effect	I C Y
1B							
-	83	2	0396G	037090	• Washer 6.1		
-	84	2	0396G	038206 (ISO 7089)	• Washer 6.4		
	85	16	0396G	038193 (ISO 7089)	• Washer 5.3		
	86	19	0396G	038204 (ISO 7089)	• Washer 4.3		
	100	1	0396G	768018	• Socket cover		
-	501	AR	0396G	086956	• Self fusing wrap		
-	502	AR	0396G	097311	• Vaseline Lukosan M14		
-	701	6	0396G	047560 (AVDEL 1691-0410)	• Rivet 3.2x7.9		

This page has been intentionally left blank.

DC generation with auxiliary generator

Illustrated parts data

Table of Contents	Page
DC generation with auxiliary generator - Illustrated parts data.....	1

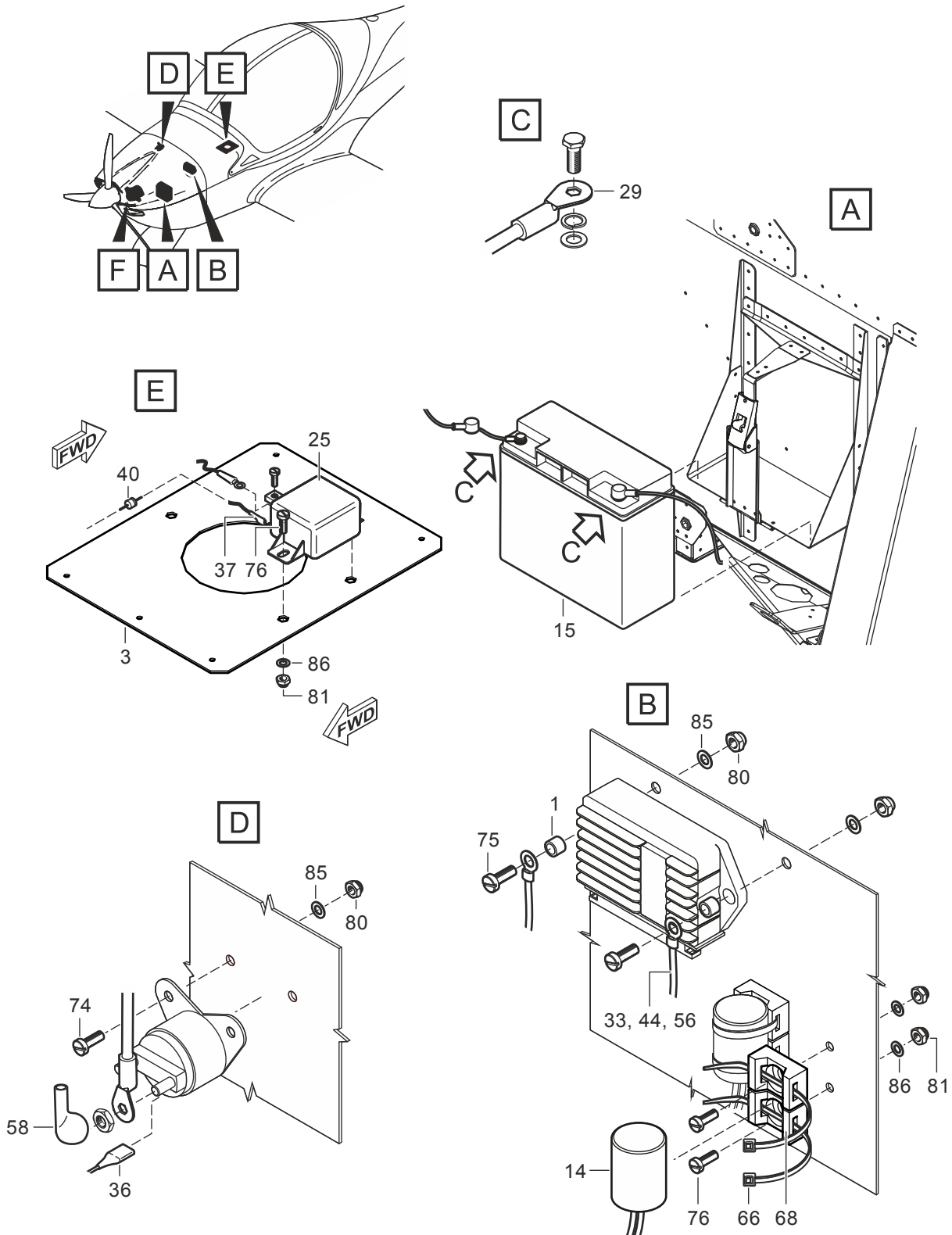
Index of Tables	Page
1 References.....	1

Index of Figures	Page
1 DC generation with external alternator F3A - NVFR installation.....	2

References

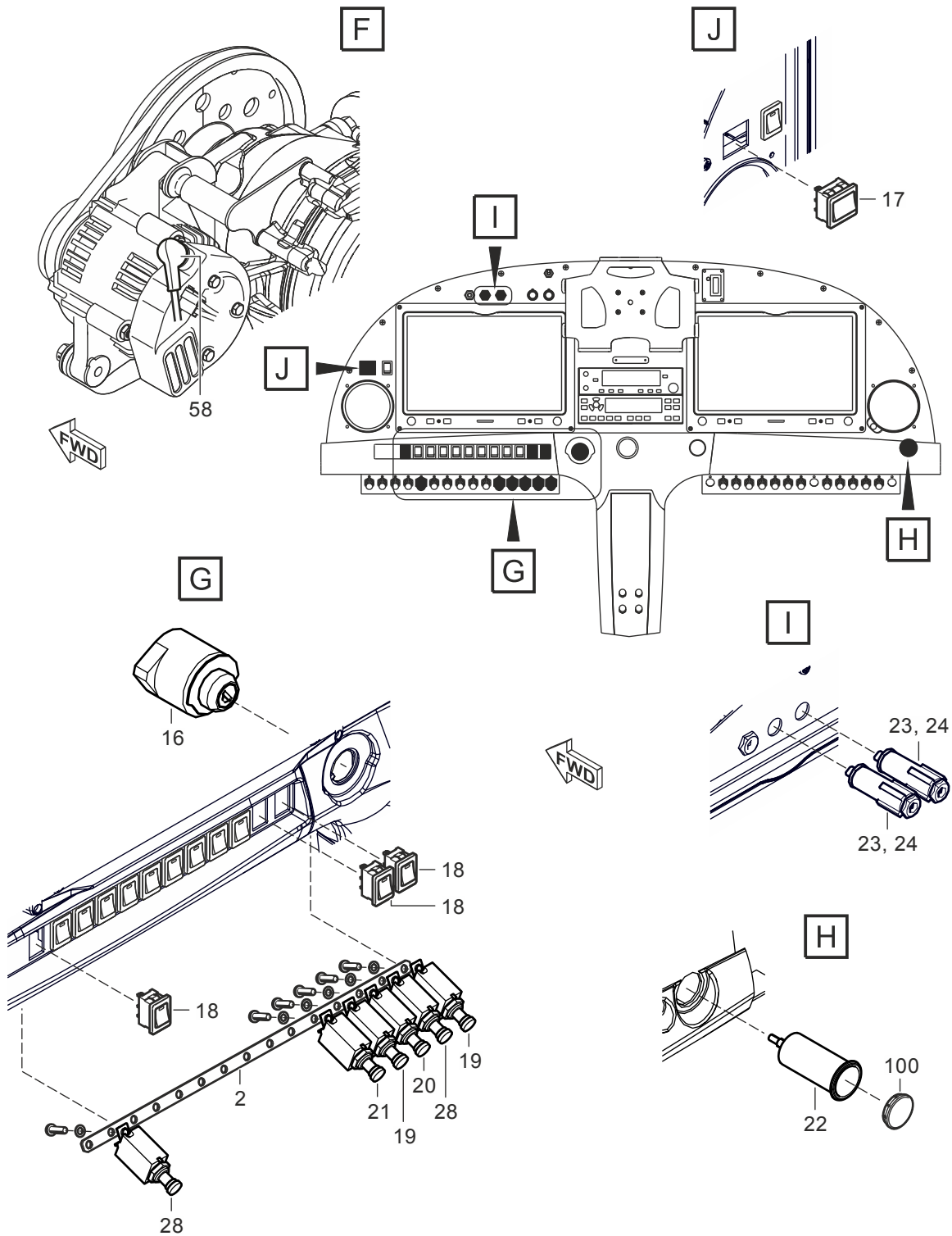
Table 1 References

Data module/Technical publication	Title
None	



ICN-SPORTSTAR-A-24-30-00-E-0396G-00179-A-000-01.CGM

Figure 1: DC generation with external alternator F3A - NVFR installation (Sheet 1 of 2)



ICN-SPORTSTAR-A-24-30-00-E-0396G-00180-A-000-01.CGM

Figure 1: DC generation with external alternator F3A - NVFR installation (Sheet 2 of 2)

Fig.	Item	Units per assembly / Units of issue	NCAGE	Part Number NATO Stock Number	Nomenclature	*Usable on code assy •MV/Effect	I C Y
1C							
-	0	1	0396G	S7 68-31 99	DC generation with auxiliary generator F3A - NVFR installation		
	1	2	0396G	768617	• Spacer		
	2	1	0396G	E7 68-02 21	• Connecting piece		
	3	1	0396G	E8 03-08 21	• Bracket		
	13	1	0396G	070529	• Micro bulb		
	14	1	0396G	071315	• Capacitor		
	15	1	0396G	070705	• Battery Forte FG12200		
	16	1	0396G	069227	• Switch box		
	17	1	0396G	S7 68-89 99	• Master switch NVFR		
	18	3	0396G	069135	• Switch illuminated		
	19	2	0396G	739591	• Circuit breaker		
	20	1	0396G	739598	• Circuit breaker 2TC2-25		
	21	1	0396G	739588	• Circuit breaker 2TC2-5		
	22	1	0396G	768013	• Socket		
	23	2	0396G	768010	• Signaling light - red		
	24	2	0396G	070530	• LED Bulb		
	25	1	0396G	069673	• Switching relay		
-	26	1	0396G	768035	• Fuse holder		
-	27	2	0396G	768022	• Fuse		
	28	2	0396G	739585	• Circuit breaker 2TC2-1		
	29	6	0396G	739777	• Ring cable eye		
-	30	3	0396G	739763	• Ring cable eye		

Applicability: All

SPORTSTAR-A-24-31-00-01C-941A-D

Fig.	Item	Units per assembly / Units of issue	NCAGE	Part Number NATO Stock Number	Nomenclature	*Usable on code assy •MV/Effect	I C Y
1C							
-	31	3	0396G	739762	• Ring cable eye		
-	32	11	0396G	739761	• Ring cable eye		
	33	2	0396G	739773	• Ring cable eye		
-	34	22	0396G	739772	• Ring cable eye		
-	35	6	0396G	739771	• Ring cable eye		
	36	10	0396G	068636	• Connector Faston 4.8 (AWG22-16)		
	37	8	0396G	068637	• Connector Faston 6.3 (AWG22-16)		
-	38	3	0396G	068638	• Connector Faston 6.3 (AWG22-16)		
-	39	2	0396G	068639	• Connector Faston 6.3 (AWG16-14)		
	40	1	0396G	064519	• Diode		
-	41	1	0396G	069708	• Connecting socket		
-	42	AR	0396G	739681	• Electrical wire AE22		
	44	AR	0396G	739682	• Electrical wire AE20		
-	45	AR	0396G	739683	• Electrical wire AE18		
-	46	AR	0396G	739684	• Electrical wire AE16		
-	47	AR	0396G	739685	• Electrical wire AE12		
-	48	AR	0396G	739686	• Electrical wire AE10		
-	49	AR	0396G	739680	• Electrical wire AE6		
-	50	AR	0396G	739695	• Shielded wire TE20		
-	53	AR	0396G	079876	• Protective spiral		
-	55	AR	0396G	088086	• Shrink tube RNF-3000		

Applicability: All

SPORTSTAR-A-24-31-00-01C-941A-D

Fig.	Item	Units per assembly / Units of issue	NCAGE	Part Number NATO Stock Number	Nomenclature	*Usable on code assy •MV/Effect	I C Y
1C							
	56	AR	0396G	088087	• Shrink tube RNF-3000		
-	57	AR	0396G	088088	• Shrink tube RNF-3000		
	58	4	0396G	077415	• Rubber cover		
-	60	6	0396G	076815	• Bushing 7x1		
-	61	18	0396G	076818	• Bushing 7x2		
-	62	2	0396G	076900	• Bushing 11x1		
-	63	3	0396G	076950	• Bushing 13x1		
-	65	115	0396G	060332	• Cable tie		
	66	55	0396G	060333	• Cable tie		
	68	8	0396G	060217	• Clamp		
-	69	1	0396G	079620	• Tie 1x18		
-	70	1	0396G	064613	• Cable sleeve		
-	71	6	0396G	060465	• Self-adhesive clamp		
	74	8	0396G	004151 (ISO 1207)	• Screw M5x12		
	75	2	0396G	004190	• Screw M5x16		
	76	12	0396G	004974 (ISO 1207)	• Screw M4x10		
-	77	9	0396G	004980 (ISO 1207)	• Screw M4x12		
-	78	1	0396G	001691 (ISO 4017)	• Screw M4x10		
	79	2	0396G	035404	• Nut M6		
	80	10	0396G	033855 (DIN 980 V)	• Nut M5		

Fig.	Item	Units per assembly / Units of issue	NCAGE	Part Number NATO Stock Number	Nomenclature	*Usable on code assy •MV/Effect	I C Y
1C							
	81	16	0396G	033850 (DIN 980 V)	• Nut M4		
-	83	2	0396G	037090	• Washer 6.1		
-	84	2	0396G	038206 (ISO 7089)	• Washer 6.4		
	85	16	0396G	038193 (ISO 7089)	• Washer 5.3		
	86	19	0396G	038204 (ISO 7089)	• Washer 4.3		
	100	1	0396G	768018	• Socket cover		
-	501	AR	0396G	086956	• Self fusing wrap		
-	502	AR	0396G	097311	• Vaseline Lukosan M14		
-	701	6	0396G	047560 (AVDEL 1691-0410)	• Rivet 3.2x7.9		

This page has been intentionally left blank.

External power

Illustrated parts data

Table of Contents	Page
External power - Illustrated parts data.....	1

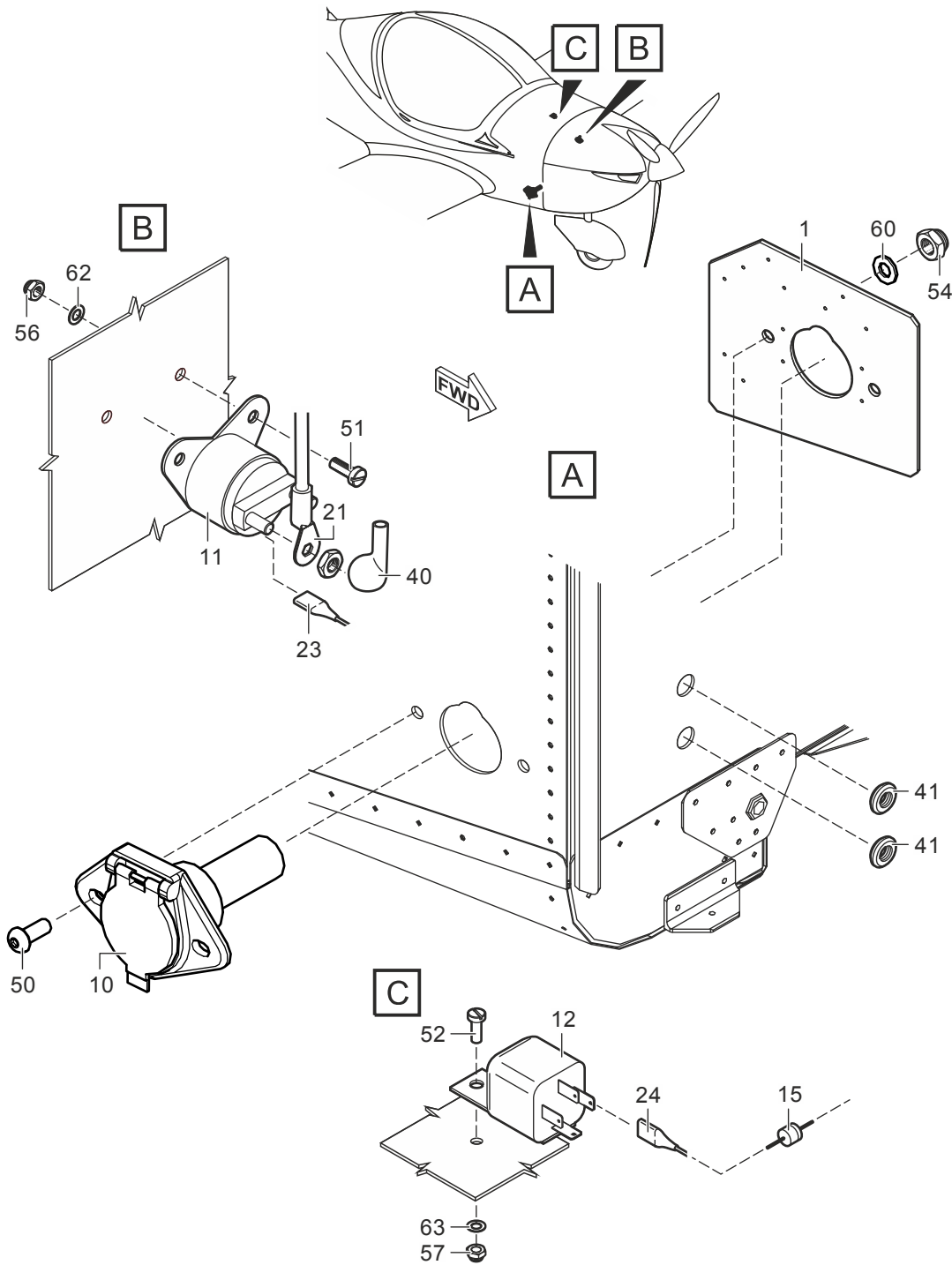
Index of Tables	Page
1 References.....	1

Index of Figures	Page
1 External power.....	2

References

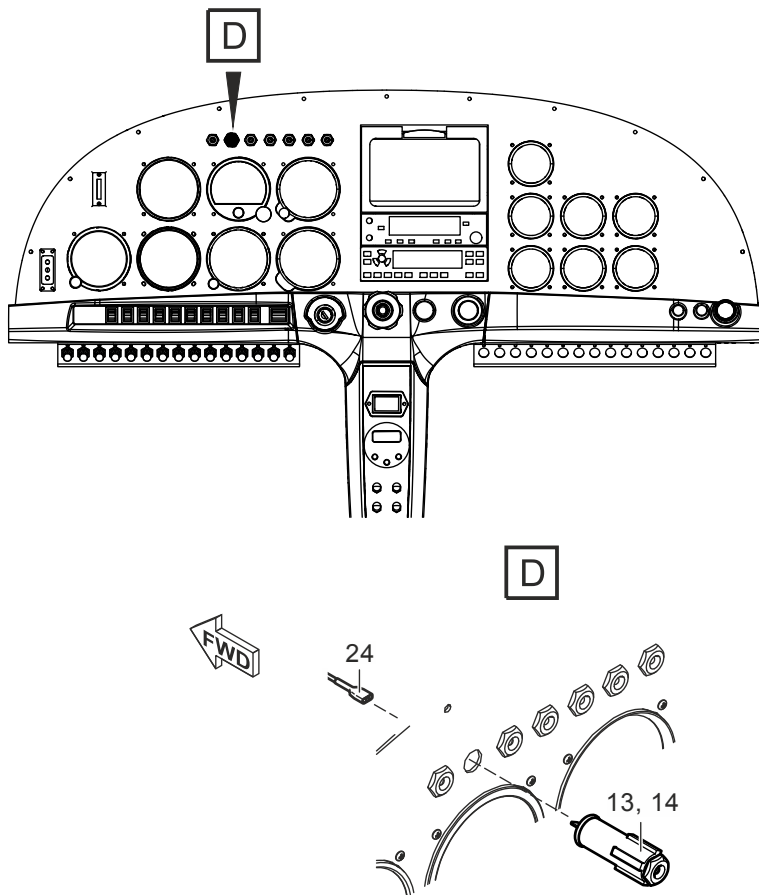
Table 1 References

Data module/Technical publication	Title
None	



ICN-SPORTSTAR-A-24-40-00-E-0396G-00088-A-001-01.CGM

Figure 1: External power (Sheet 1 of 2)



ICN-SPORTSTAR-A-24-40-00-E-0396G-00089-A-001-01.CGM

Figure 1: External power (Sheet 2 of 2)

Fig.	Item	Units per assembly / Units of issue	NCAGE	Part Number NATO Stock Number	Nomenclature	*Usable on code assy •MV/Effect	I C Y
1A							
-	0	1	0396G	E7 68-91 01	External power		
	1	1	0396G	E7 68-92 21	• Reinforcement		
	10	1	0396G	739396	• External power socket		
	11	1	0396G	766043	• Starter relay		
	12	1	0396G	069676	• Switching relay		
	13	1	0396G	768009	• Signaling light - blue		
	14	1	0396G	070557	• Bulb		

Fig.	Item	Units per assembly / Units of issue	NCAGE	Part Number NATO Stock Number	Nomenclature	*Usable on code assy •MV/Effect	I C Y
1A							
	15	1	0396G	070699	• Diode		
	20	1	0396G	739780	• Ring cable eye		
	21	5	0396G	739777	• Ring cable eye		
	23	1	0396G	068636	• Connector Faston 4.8 (AWG22-16)		
	24	8	0396G	068638	• Connector Faston 6.3 (AWG22-16)		
-	28	AR	0396G	739682	• Electrical wire AE20		
-	29	AR	0396G	739680	• Electrical wire AE6		
-	35	AR	0396G	088086	• Shrink tube RNF-3000		
-	36	AR	0396G	088087	• Shrink tube RNF-3000		
-	37	AR	0396G	088088	• Shrink tube RNF-3000		
-	38	AR	0396G	088090	• Shrink tube RNF-3000		
	40	2	0396G	077415	• Rubber cover		
	41	2	0396G	076815	• Bushing 7x1		
-	44	10	0396G	060332	• Cable tie		
-	45	10	0396G	060333	• Cable tie		
	50	2	0396G	010979 (ISO 7380-1)	• Screw M8x20		
	51	2	0396G	004151 (ISO 1207)	• Screw M5x12		
-	52	1	0396G	004974 (ISO 1207)	• Screw M4x10		
	54	2	0396G	035418 (DIN 985)	• Nut M8		
	55	2	0396G	035406 (ISO 4032)	• Nut M6		

Fig.	Item	Units per assembly / Units of issue	NCAGE	Part Number NATO Stock Number	Nomenclature	*Usable on code assy •MV/Effect	I C Y
1A							
	56	2	0396G	033855 (DIN 980 V)	• Nut M5		
	57	1	0396G	033850 (DIN 980 V)	• Nut M4		
	60	2	0396G	038208 (ISO 7089)	• Washer 8.4		
	61	2	0396G	037273	• Washer 6.1		
	62	2	0396G	038193 (ISO 7089)	• Washer 5.3		
	63	1	0396G	038204 (ISO 7089)	• Washer 4.3		
-	698	AR	0396G	089112	• Tin tube		
-	699	AR	0396G	096221	• Sealant Emfimastic PU 50 - grey		
-	701	26	0396G	047560 (AVDEL 1691-0410)	• Rivet 3.2x7.9		

This page has been intentionally left blank.

Circuit breaker installation

Illustrated parts data

Table of Contents	Page
Circuit breaker installation - Illustrated parts data.....	1

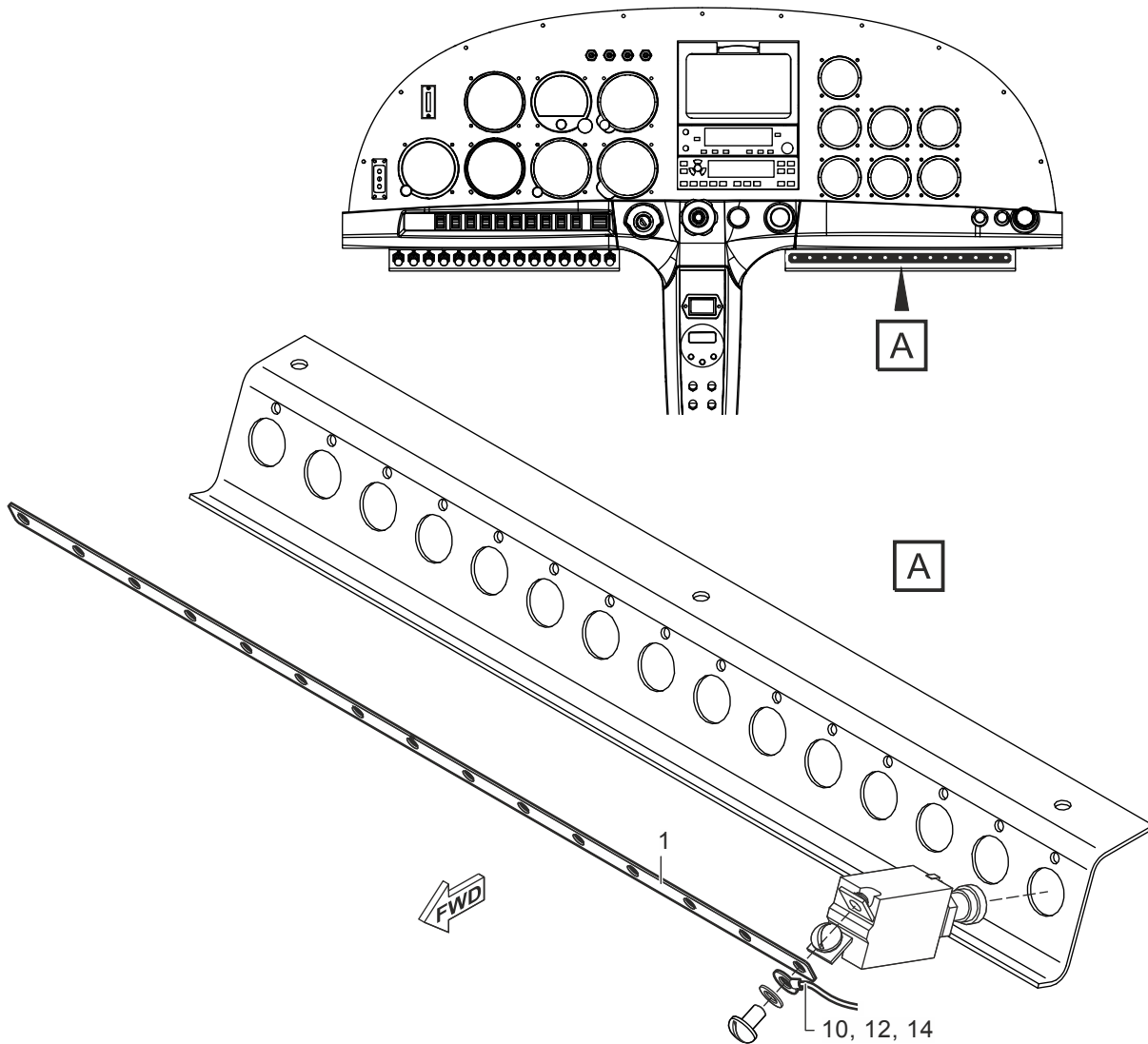
Index of Tables	Page
1 References.....	1

Index of Figures	Page
1 Circuit breaker installation.....	2

References

Table 1 References

Data module/Technical publication	Title
None	



ICN-SPORTSTAR-A-24-60-00-E-0396G-00068-A-001-01.CGM

Figure 1: Circuit breaker installation

Fig.	Item	Units per assembly / Units of issue	NCAGE	Part Number NATO Stock Number	Nomenclature	*Usable on code assy •MV/Effect	I C Y
1A							
-	0	1	0396G	E7 68-10 01	Circuit breaker installation		
	1	1	0396G	E7 68-02 21	• Connecting piece		
	10	2	0396G	739761	• Ring cable eye		
	12	1	0396G	739685	• Electrical wire AE12		



Fig.	Item	Units per assembly / Units of issue	NCAGE	Part Number NATO Stock Number	Nomenclature	*Usable on code assy •MV/Effect	I C Y
<hr/>							
1A							
	14	AR	0396G	088087	• Shrink tube RNF-3000		

This page has been intentionally left blank.

Avionics switch

Illustrated parts data

Table of Contents

	Page
Avionics switch - Illustrated parts data.....	1

Index of Tables

	Page
1 References.....	1

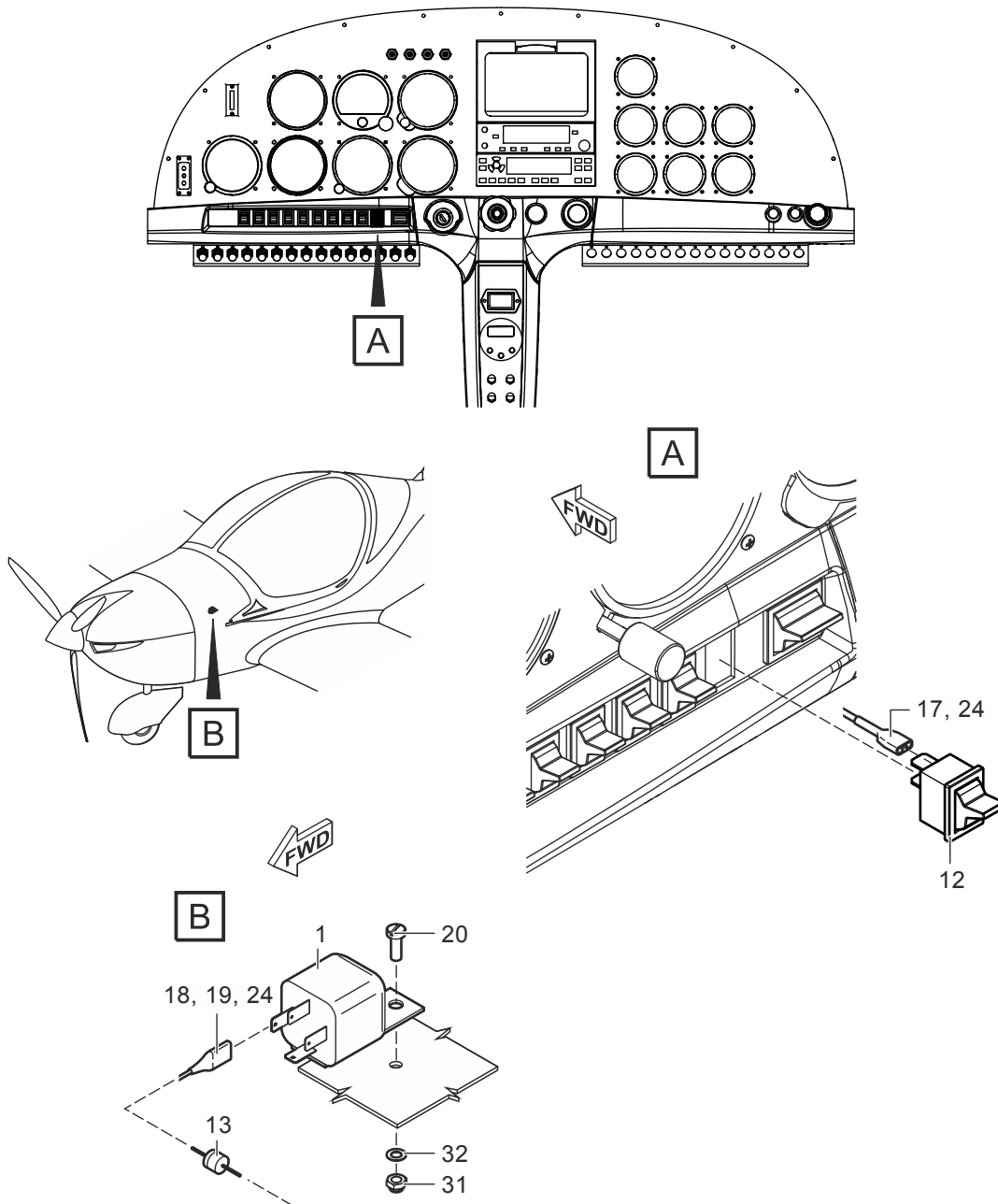
Index of Figures

	Page
1 Avionics switch.....	2

References

Table 1 References

Data module/Technical publication	Title
None	



ICN-SPORTSTAR-A-24-60-00-E-0396G-00090-A-001-01.CGM

Figure 1: Avionics switch

Fig.	Item	Units per assembly / Units of issue	NCAGE	Part Number NATO Stock Number	Nomenclature	*Usable on code assy •MV/Effect	I C Y
1A	-	0	1	0396G	E7 68-69 01	Avionics switch	

Applicability: All

SPORTSTAR-A-24-60-02-01A-941A-D

Fig.	Item	Units per assembly / Units of issue	NCAGE	Part Number NATO Stock Number	Nomenclature	*Usable on code assy •MV/Effect	I C Y
1A							
	1	1	0396G	069674	• Switch relay 12V/30A		
	12	1	0396G	069110	• Switch		
	13	1	0396G	064519	• Diode		
-	15	2	0396G	739772	• Ring cable eye		
-	16	2	0396G	739761	• Ring cable eye		
	17	2	0396G	068636	• Connector Faston 4.8 (AWG22-16)		
	18	2	0396G	068637	• Connector Faston 6.3 (AWG22-16)		
	19	2	0396G	068639	• Connector Faston 6.3 (AWG16-14)		
-	22	AR	0396G	739682	• Electrical wire AE20		
-	23	AR	0396G	739685	• Electrical wire AE12		
	24	AR	0396G	088087	• Shrink tube RNF-3000		
-	27	10	0396G	060332	• Cable tie		
	30	1	0396G	004980 (ISO 1207)	• Screw M4x12		
	31	1	0396G	033850 (DIN 980 V)	• Nut M4		
	32	1	0396G	038204 (ISO 7089)	• Washer 4.3		

This page has been intentionally left blank.

Avionics switch

Illustrated parts data

Table of Contents

	Page
Avionics switch - Illustrated parts data.....	1

Index of Tables

	Page
1 References.....	1

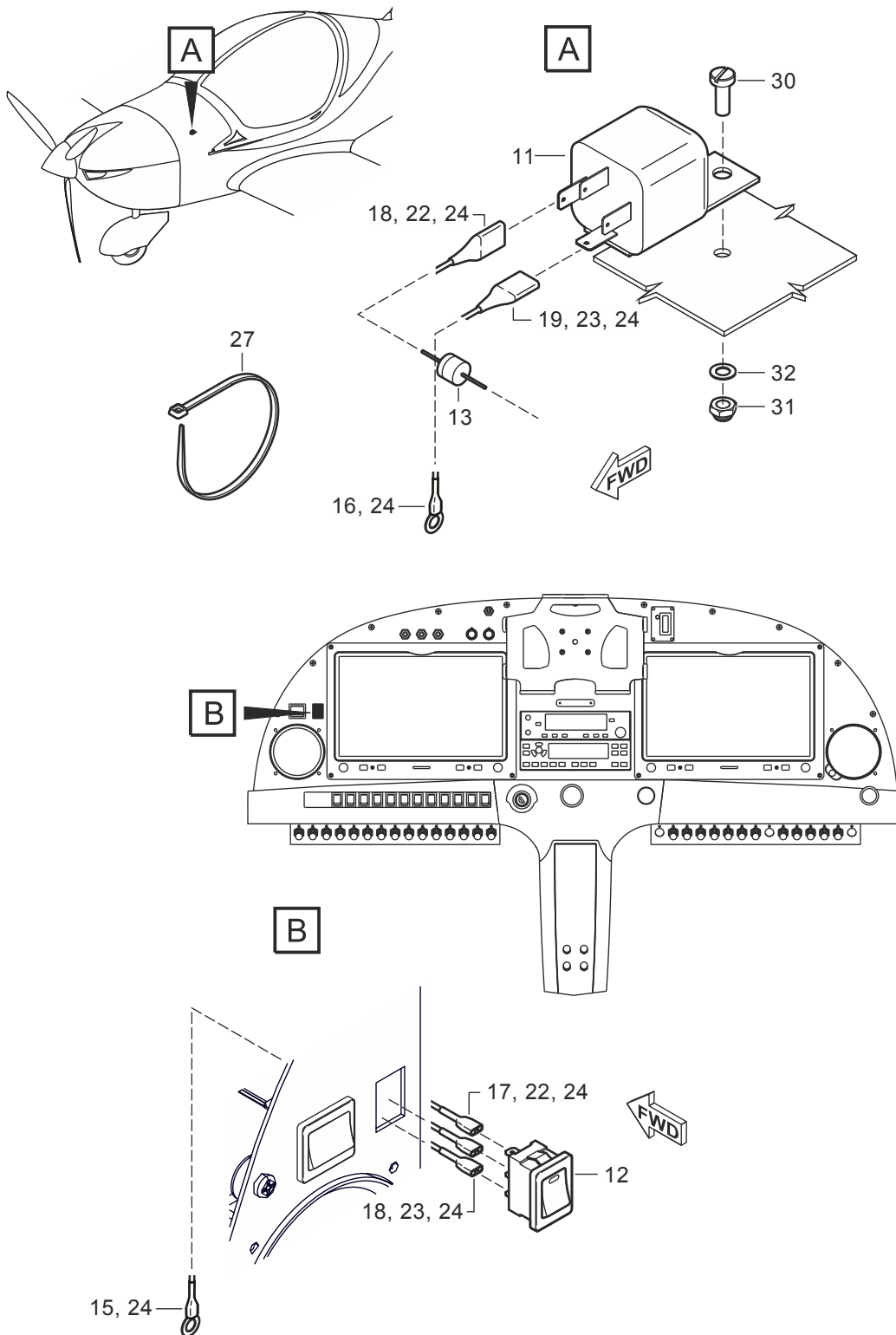
Index of Figures

	Page
1 Avionics switch - NVFR installation.....	2

References

Table 1 References

Data module/Technical publication	Title
None	



ICN-SPORTSTAR-A-24-60-00-E-0396G-00181-A-000-01.CGM

Figure 1: Avionics switch - NVFR installation

Fig.	Item	Units per assembly / Units of issue	NCAGE	Part Number NATO Stock Number	Nomenclature	*Usable on code assy •MV/Effect	I C Y
1B							
-	0	1	0396G	S7 68-99 99	Avionics switch - NVFR installation		
	11	1	0396G	069674	• Switch relay 12V/30A		
	12	1	0396G	069136	• Switch illuminated		
	13	1	0396G	064519	• Diode		
	15	1	0396G	739772	• Ring cable eye		
	16	2	0396G	739761	• Ring cable eye		
	17	2	0396G	068636	• Connector Faston 4.8 (AWG22-16)		
	18	2	0396G	068637	• Connector Faston 6.3 (AWG22-16)		
	19	2	0396G	068639	• Connector Faston 6.3 (AWG16-14)		
	22	AR	0396G	739682	• Electrical wire AE20		
	23	AR	0396G	739685	• Electrical wire AE12		
	24	AR	0396G	088087	• Shrink tube RNF-3000		
	27	10	0396G	060332	• Cable tie		
	30	1	0396G	004980 (ISO 1207)	• Screw M4x12		
	31	1	0396G	033850 (DIN 980 V)	• Nut M4		
	32	1	0396G	038204 (ISO 7089)	• Washer 4.3		

This page has been intentionally left blank.

Grounding - airplane

Illustrated parts data

Table of Contents

	Page
Grounding - airplane - Illustrated parts data.....	1

Index of Tables

	Page
1 References.....	1

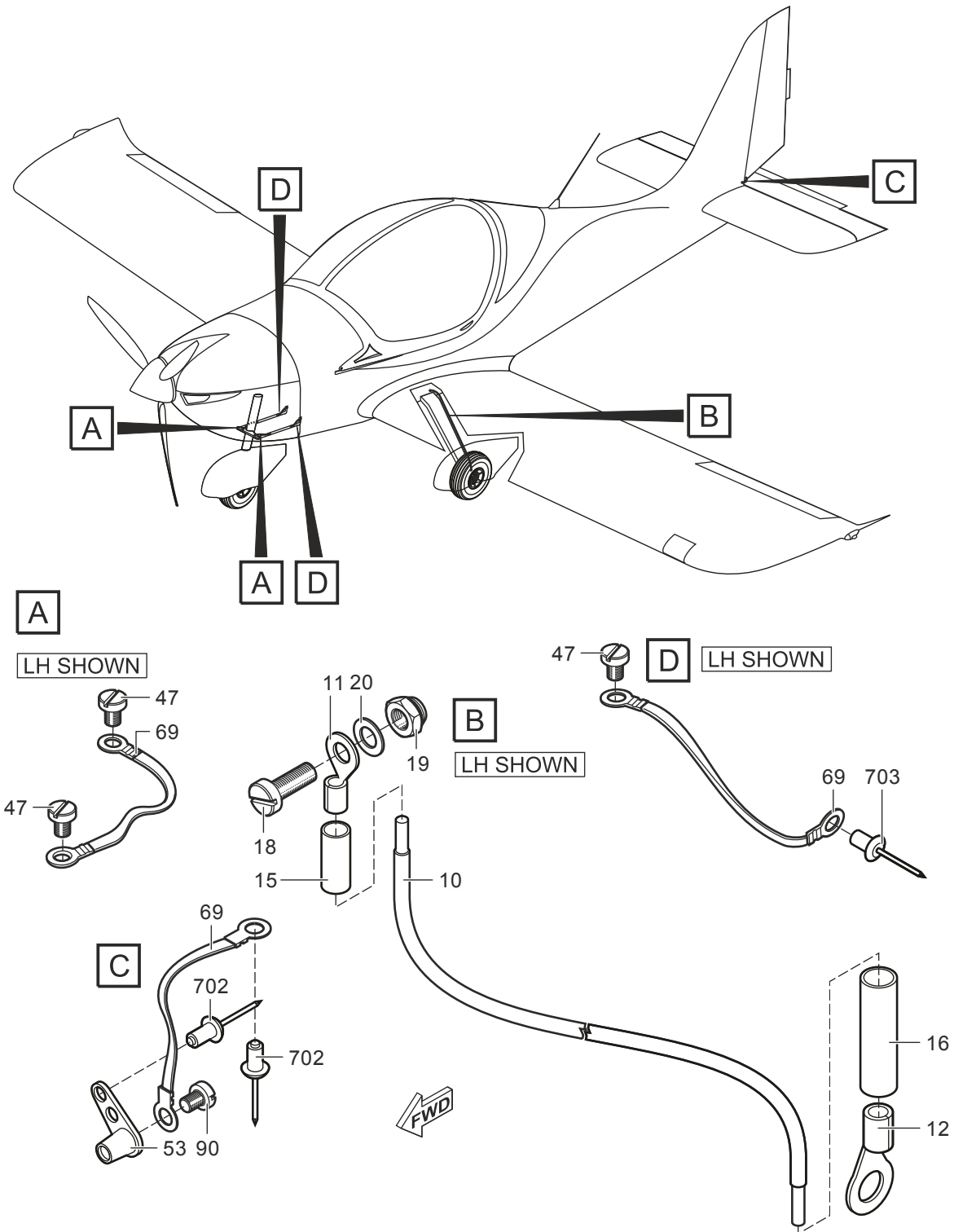
Index of Figures

	Page
1 Grounding - airplane.....	2

References

Table 1 References

Data module/Technical publication	Title
None	



ICN-SPORTSTAR-A-24-70-00-E-0396G-00160-A-001-01.CGM
 Figure 1: Grounding - airplane

Fig.	Item	Units per assembly / Units of issue	NCAGE	Part Number NATO Stock Number	Nomenclature	*Usable on code assy •MV/Effect	I C Y
1A							
-	0	1	0396G	S7 00-09 01	Grounding - airplane		
	10	AR	0396G	739685	• Electrical wire AE12		
	11	2	0396G	739763	• Ring cable eye		
	12	2	0396G	739764	• Ring cable eye		
	15	AR	0396G	088087	• Shrink tube RNF-3000		
	16	AR	0396G	088088	• Shrink tube RNF-3000		
	18	2	0396G	001299 (ISO 4017)	• Screw M6x12		
	19	2	0396G	033860 (DIN 980 V)	• Nut M6		
	20	2	0396G	038206 (ISO 7089)	• Washer 6.4		
	47	6	0396G	011945 (ISO 7045)	• Screw M3x4		
	53	1	0396G	033598 (OST 1 33074-80)	• Anchor nut M3		
	69	5	0396G	057882 (ASNE 0088-06-100)	• Bonding strap 1.3x100		
	90	1	0396G	010971 (ISO 7045)	• Screw M3x12		
	702	2	0396G	047590 (AVDEL 1604-0412)	• Rivet 3.2x9.5		
	703	2	0396G	047576 (BN01-0408)	• Rivet 3.2x6.6		

This page has been intentionally left blank.

Grounding - rudder and flaps control

Illustrated parts data

Table of Contents	Page
Grounding - rudder and flaps control - Illustrated parts data.....	1

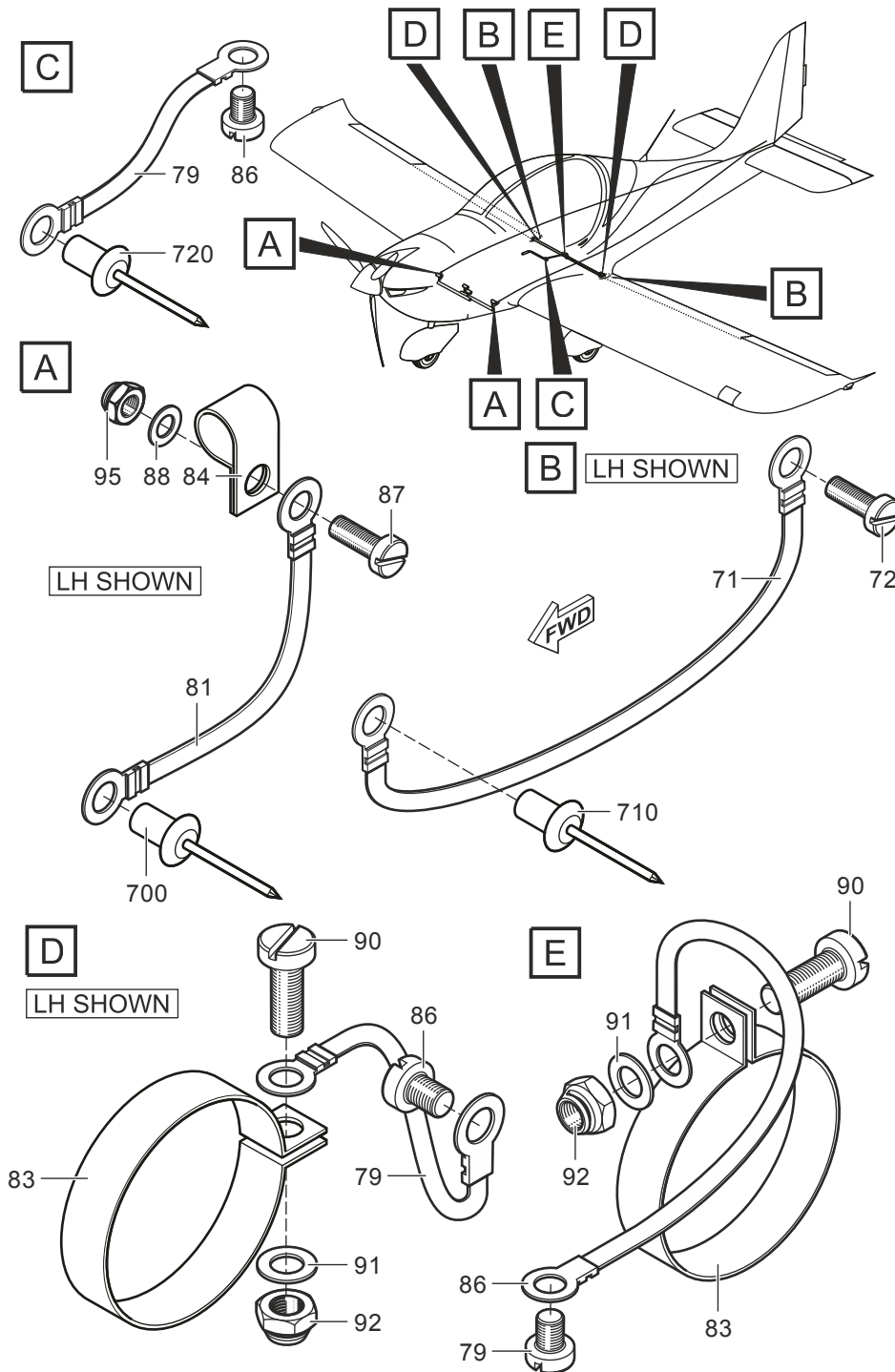
Index of Tables	Page
1 References.....	1

Index of Figures	Page
1 Grounding - rudder and flaps control.....	2

References

Table 1 References

Data module/Technical publication	Title
None	



ICN-SPORTSTAR-A-24-70-00-E-0396G-00161-A-001-01.CGM

Figure 1: Grounding - rudder and flaps control

Fig.	Item	Units per assembly / Units of issue	NCAGE	Part Number NATO Stock Number	Nomenclature	*Usable on code assy •MV/Effect	I C Y
1A							
-	0	1	0396G	S7 00-10 01	Grounding - rudder and flaps control		
	79	4	0396G	057873	• Bonding strap 1.3x100		
	81	2	0396G	057883	• Bonding strap 1.3x160		
	83	3	0396G	059750 (CSN 02 2706.1)	• Clamp 1x20		
	84	2	0396G	060055	• Clamp 0.3x3		
	86	4	0396G	011945 (ISO 7045)	• Screw M3x4		
	87	2	0396G	001204 (ISO 4017)	• Screw M3x6		
	88	2	0396G	038198 (ISO 7089)	• Washer 3.2		
	90	3	0396G	011888 (ISO 7045)	• Screw M4x12		
	91	3	0396G	038200 (DIN 6798 A)	• Washer 4.3		
	92	3	0396G	033850 (DIN 980 V)	• Nut M4		
	95	2	0396G	032679 (DIN 980 V)	• Nut M3		
	700	2	0396G	047576 (BN01-0408)	• Rivet 3.2x6.6		
	710	2	0396G	047577 (BN01-0411)	• Rivet 3.2x9.3		
	720	1	0396G	047589	• Rivet 4x7.5		

This page has been intentionally left blank.

Grounding - elevator and aileron control

Illustrated parts data

Table of Contents

	Page
Grounding - elevator and aileron control - Illustrated parts data.....	1

Index of Tables

	Page
1 References.....	1

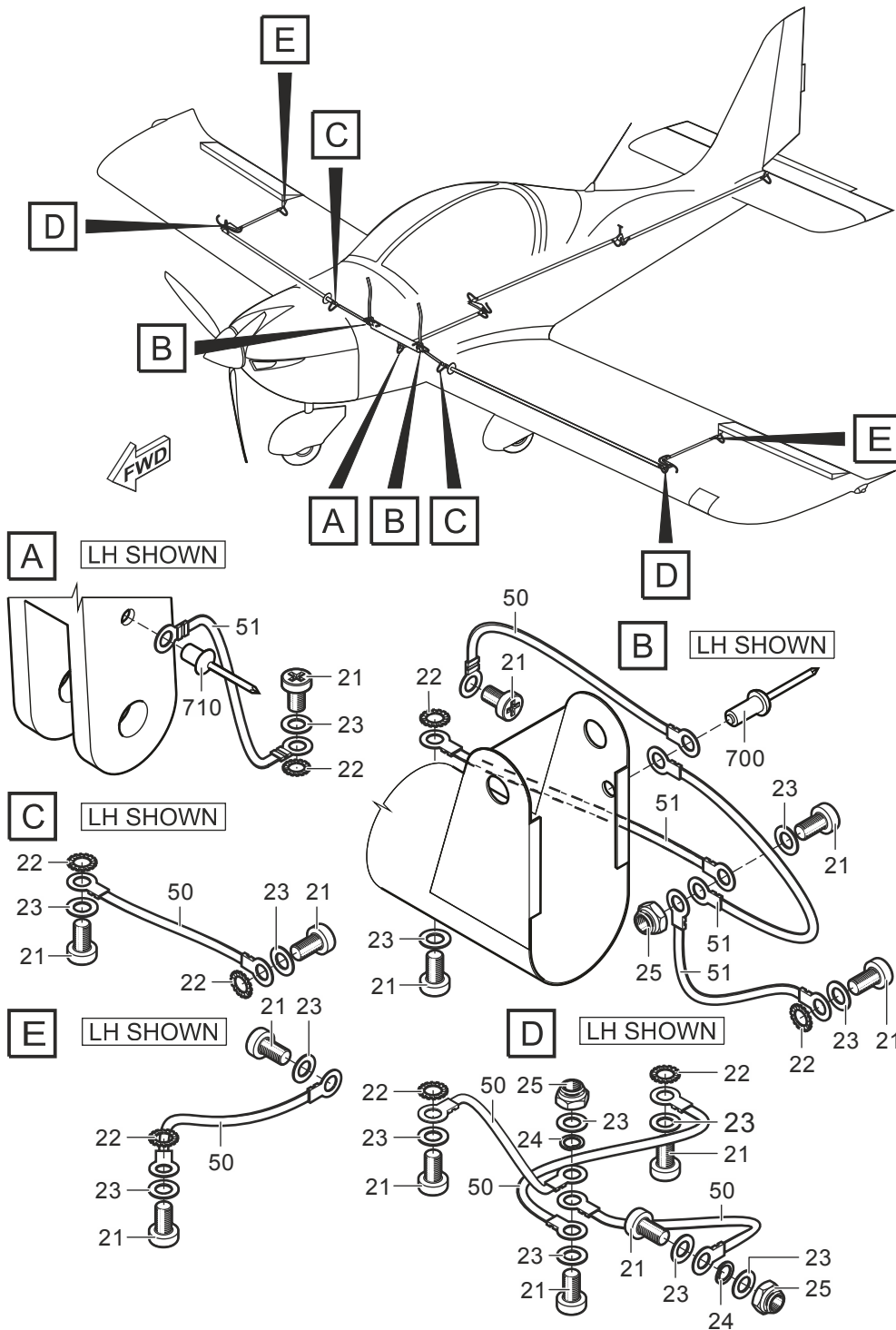
Index of Figures

	Page
1 Grounding - elevator and aileron control.....	2

References

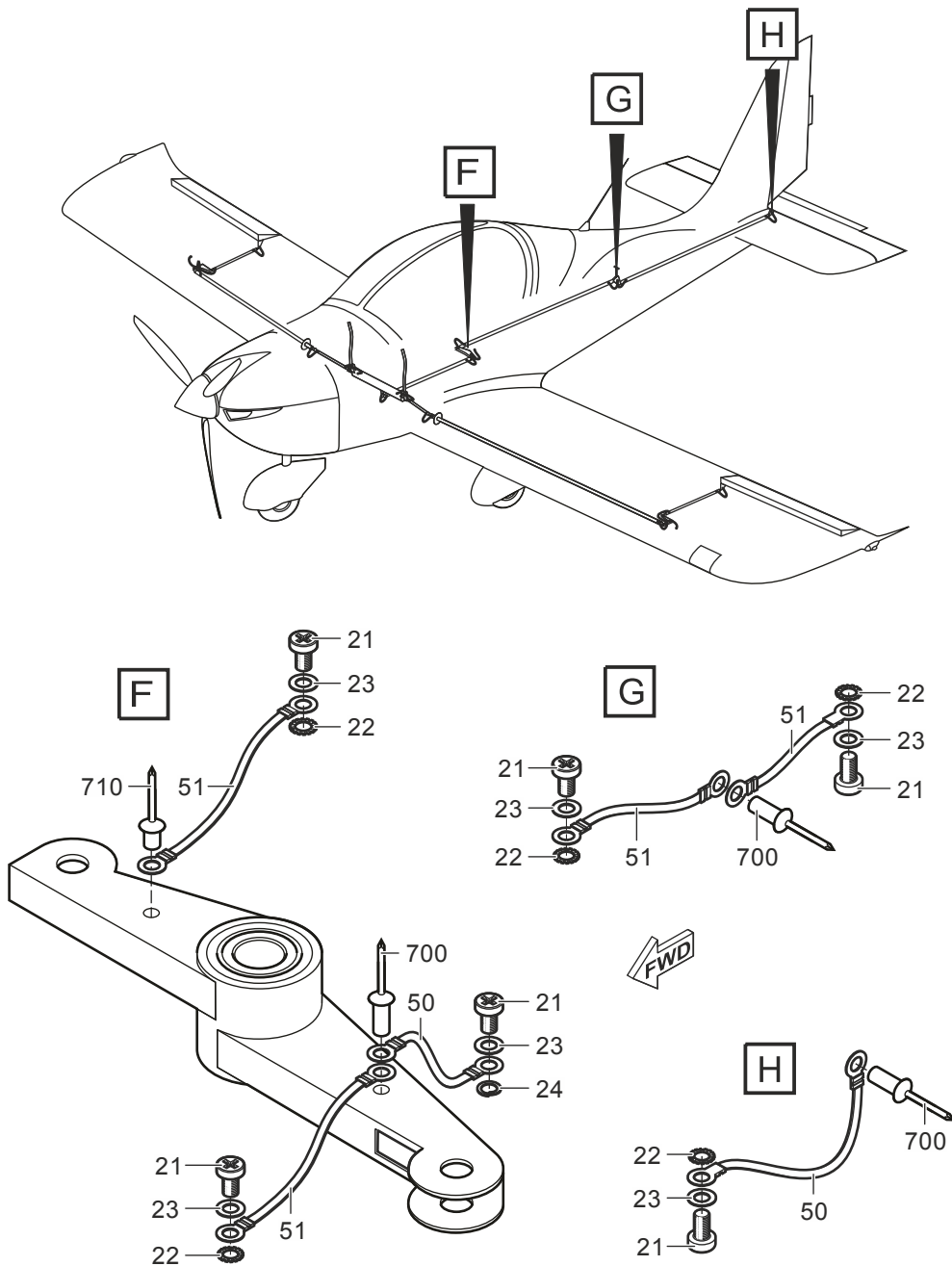
Table 1 References

Data module/Technical publication	Title
None	



ICN-SPORTSTAR-A-24-70-00-E-0396G-00162-A-001-01.CGM

Figure 1: Grounding - elevator and aileron control (Sheet 1 of 2)



ICN-SPORTSTAR-A-24-70-00-E-0396G-00163-A-001-01.CGM

Figure 1: Grounding - elevator and aileron control (Sheet 2 of 2)

Fig.	Item	Units per assembly / Units of issue	NCAGE	Part Number NATO Stock Number	Nomenclature	*Usable on code assy •MV/Effect	I C Y
1A							
-	0	1	0396G	S7 00-11 01	Grounding - elevator and aileron control		
	21	31	0396G	011885 (ISO 7045)	• Screw M3x10		
	22	20	0396G	038301 (DIN 6797 A)	• Washer 3.2		
	23	32	0396G	038203 (ISO 7089)	• Washer 3.2		
	24	5	0396G	037080 (DIN 7980)	• Washer 3.1		
	25	7	0396G	032679 (DIN 980 V)	• Nut M3		
	50	14	0396G	057883	• Bonding strap 1.3x160		
	51	11	0396G	057882 (ASNE 0088-06-100)	• Bonding strap 1.3x100		
	700	4	0396G	047577 (BN01-0411)	• Rivet 3.2x9.3		
	710	1	0396G	047576 (BN01-0408)	• Rivet 3.2x6.6		
-	800	AR	0396G	095180	• Email nitro Celox - red		
-	810	AR	0396G	095105	• Zapon varnish for metal		

Pilot seat

Illustrated parts data

Table of Contents

	Page
Pilot seat - Illustrated parts data.....	1

Index of Tables

	Page
1 References.....	1

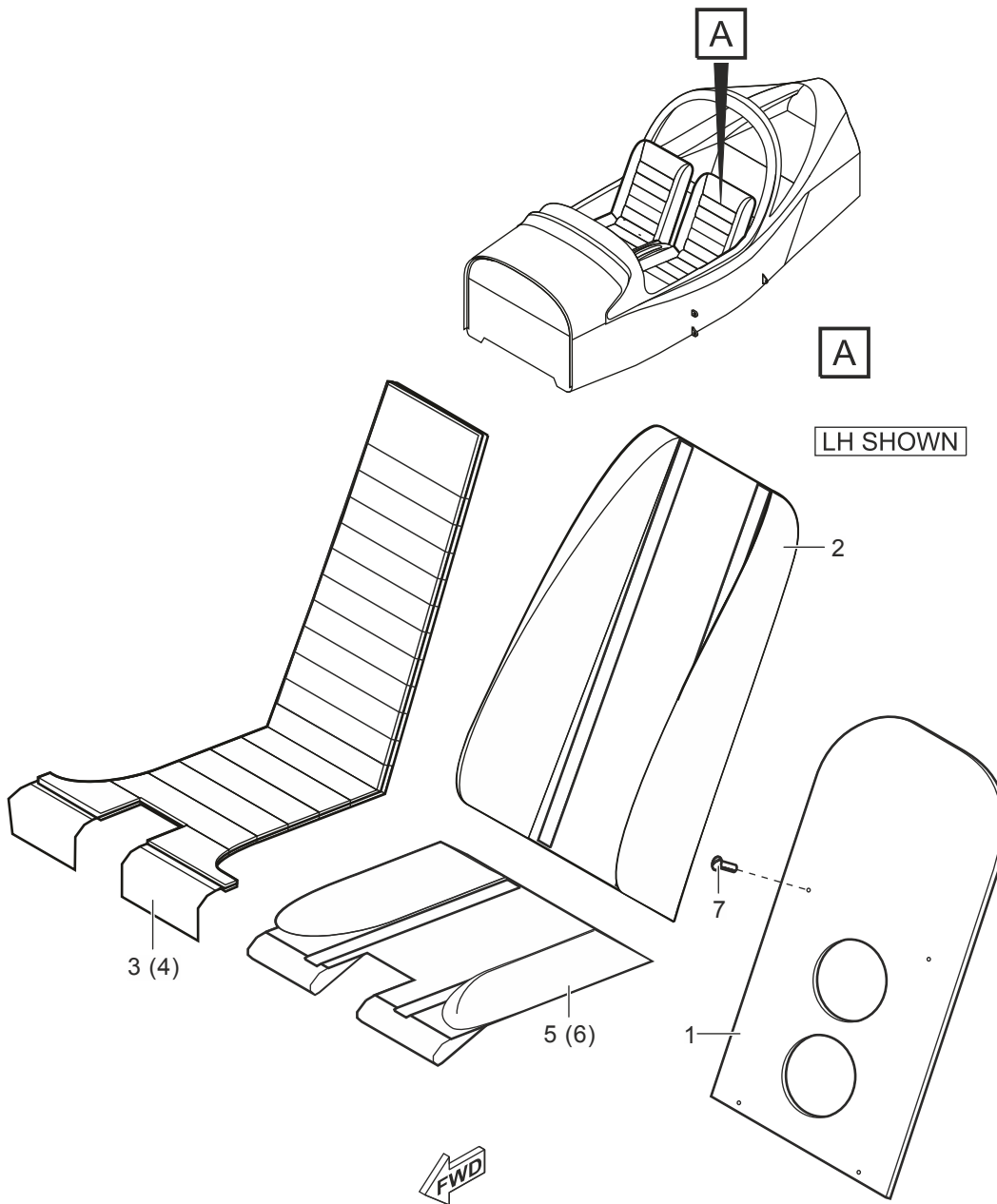
Index of Figures

	Page
1 Pilot seats.....	2

References

Table 1 References

Data module/Technical publication	Title
None	



ICN-SPORTSTAR-A-25-10-00-E-0396G-00142-A-001-01.CGM

Figure 1: Pilot seats

Fig.	Item	Units per assembly / Units of issue	NCAGE	Part Number NATO Stock Number	Nomenclature	*Usable on code assy •MV/Effect	I C Y
1A	-	0	1	0396G	E8 01-50 01	Pilot seats	

Applicability: All

SPORTSTAR-A-25-10-01-01A-941A-D

Fig.	Item	Units per assembly / Units of issue	NCAGE	Part Number NATO Stock Number	Nomenclature	*Usable on code assy •MV/Effect	I C Y
1A							
	1	2	0396G	E8 01-47 21	• Backrest plate		
	2	2	0396G	E8 01-51 01	• Seat backrest		
	3	1	0396G	E8 01-53 01	• Seat bolster - left		
	4	1	0396G	E8 01-53 02	• Seat bolster - right		
	5	1	0396G	E8 59-52 01	• Seat - left		
	6	1	0396G	E8 59-52 02	• Seat - right		
	7	8	0396G	004986	• Screw M4x16		

This page has been intentionally left blank.

Safety harness

Illustrated parts data

Table of Contents

	Page
Safety harness - Illustrated parts data.....	1

Index of Tables

	Page
1 References.....	1

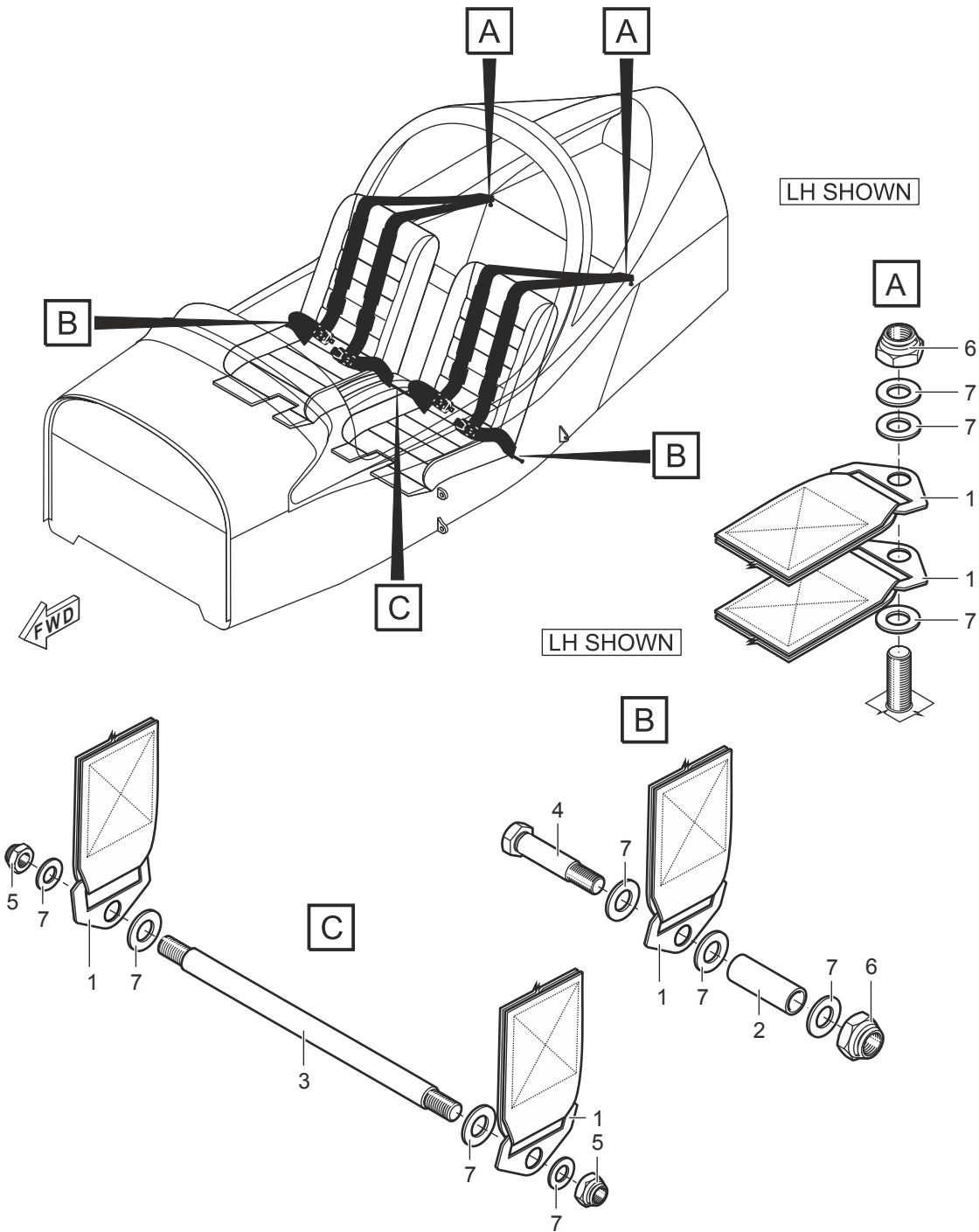
Index of Figures

	Page
1 Safety harness.....	2

References

Table 1 References

Data module/Technical publication	Title
None	



ICN-SPORTSTAR-A-25-10-00-E-0396G-00143-A-001-01.CGM

Figure 1: Safety harness

Fig.	Item	Units per assembly / Units of issue	NCAGE	Part Number NATO Stock Number	Nomenclature	*Usable on code assy •MV/Effect	I C Y
1A							
-	0	1	0396G	25-10-02	Safety harness		
	1	2	0396G	E8 80-01 01	• Safety belt		
	2	2	0396G	S8 01-17 21	• Bushing		
	3	1	0396G	E8 01-01 21	• Hinge		
	4	2	0396G	011824	• Screw M6x55		
	5	2	0396G	033855 (DIN 980 V)	• Nut M5		
	6	4	0396G	033860 (DIN 980 V)	• Nut M6		
	7	14	0396G	036747 (ISO 7093)	• Washer 6.4		
	8	2	0396G	038193 (ISO 7089)	• Washer 5.3		

This page has been intentionally left blank.

Seat heating

Illustrated parts data

Table of Contents

	Page
Seat heating - Illustrated parts data.....	1

Index of Tables

	Page
1 References.....	1

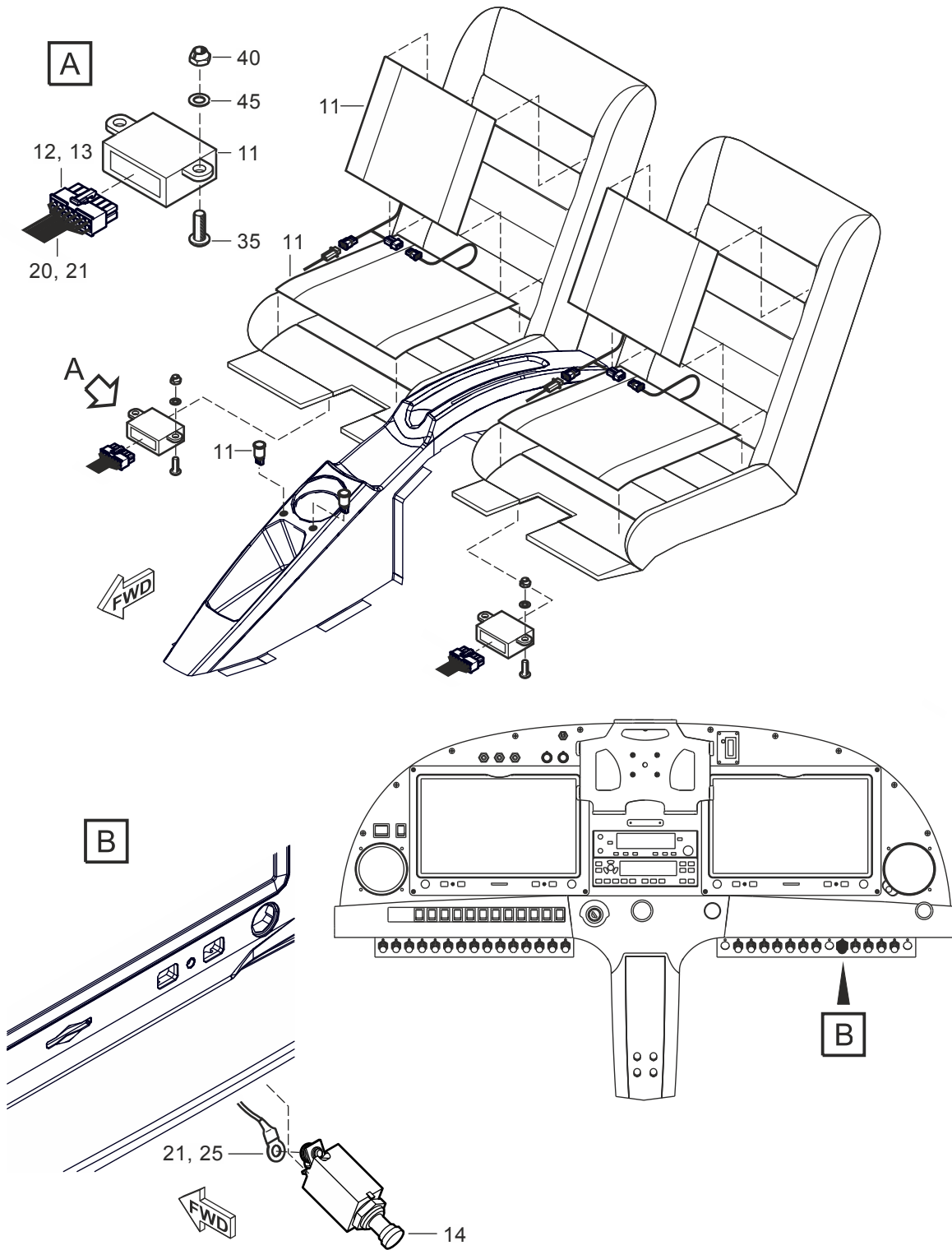
Index of Figures

	Page
1 Seat heating.....	2

References

Table 1 References

Data module/Technical publication	Title
None	



ICN-SPORTSTAR-A-25-10-00-E-0396G-00198-A-000-01.CGM
 Figure 1: Seat heating

Fig.	Item	Units per assembly / Units of issue	NCAGE	Part Number NATO Stock Number	Nomenclature	*Usable on code assy •MV/Effect	I C Y
1A							
-	0	1	0396G	S7 00-17 01	Seat heating		
	11	2	0396G	070800	• Carbon seat heating		
	12	2	0396G	739895	• Connector Molex Mini-Fit		
	13	24	0396G	739870	• Socket (AWG24-18)		
	14	1	0396G	739596	• Circuit breaker 2TC2-15		
	20	AR	0396G	739681	• Electrical wire AE22		
	21	AR	0396G	739683	• Electrical wire AE18		
	25	6	0396G	739772	• Ring cable eye		
-	30	10	0396G	060332	• Cable tie		
-	31	10	0396G	060333	• Cable tie		
-	32	4	0396G	060465	• Self-adhesive clamp		
	35	4	0396G	004985	• Screw M4x12		
	40	4	0396G	033850 (DIN 980 V)	• Nut M4		
	45	4	0396G	038204 (ISO 7089)	• Washer 4.3		

This page has been intentionally left blank.

Interior panels and equipment

Illustrated parts data

Table of Contents	Page
Interior panels and equipment - Illustrated parts data.....	1

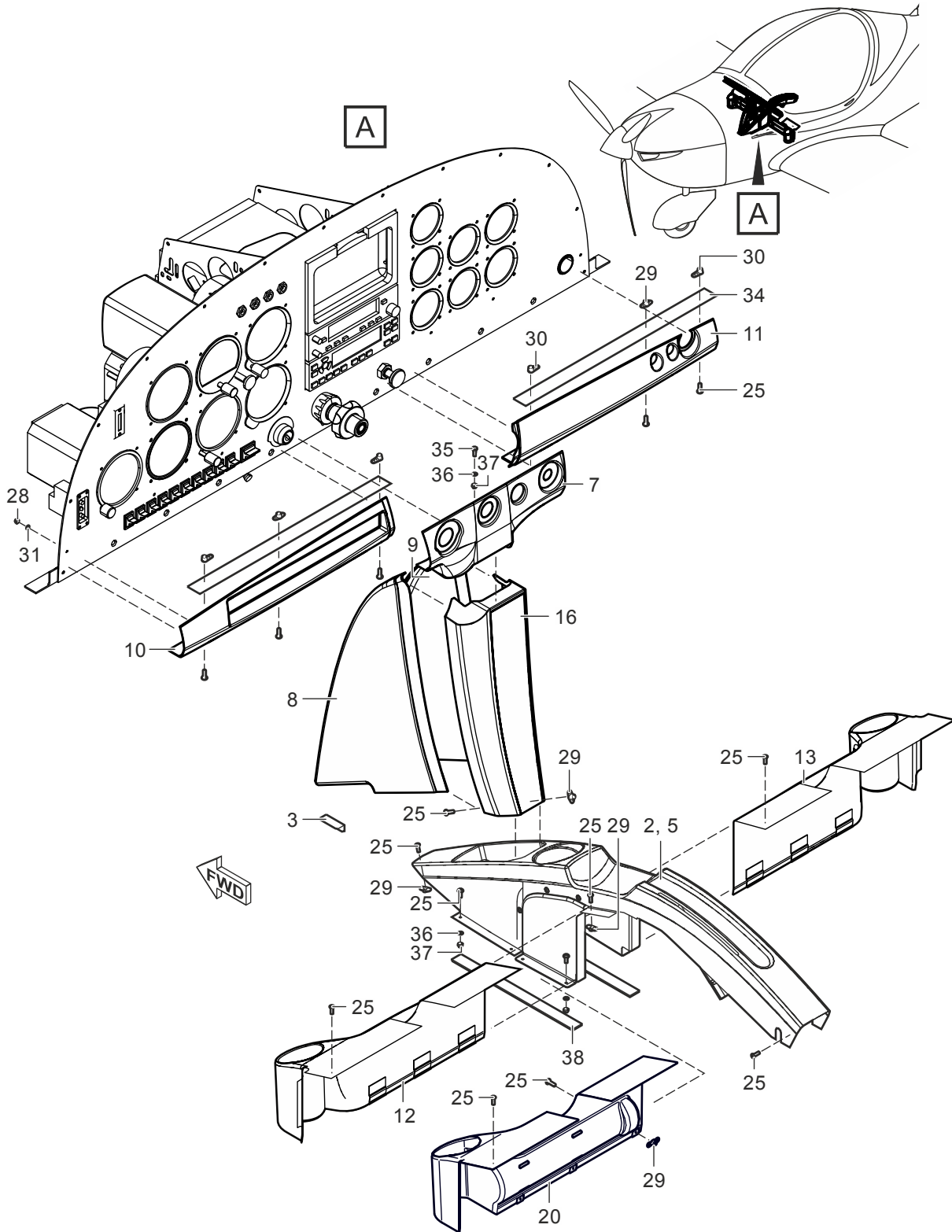
Index of Tables	Page
1 References.....	1

Index of Figures	Page
1 Interior panels and equipment.....	2

References

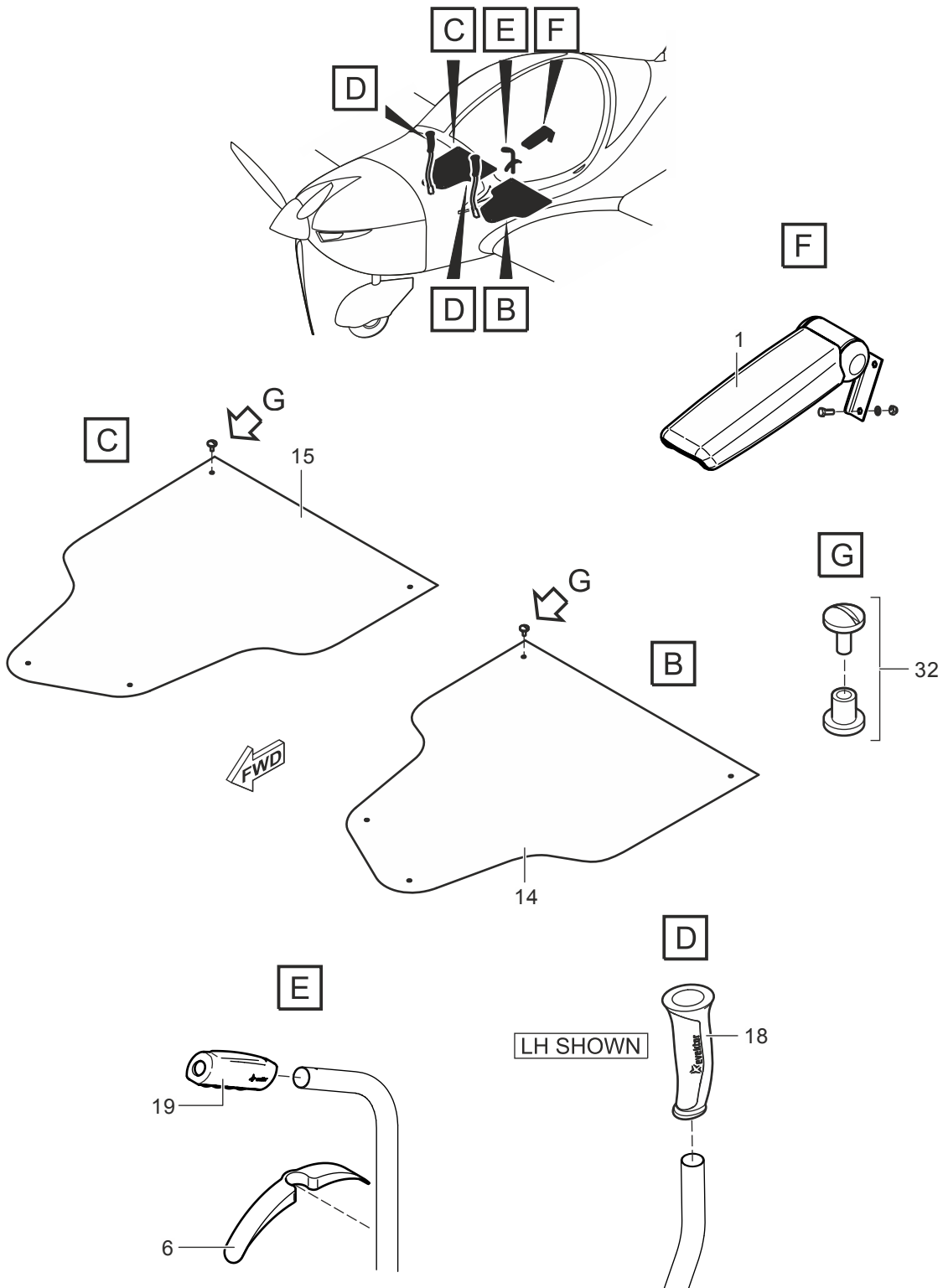
Table 1 References

Data module/Technical publication	Title
None	



ICN-SPORTSTAR-A-25-10-00-E-0396G-00057-A-001-01.CGM

Figure 1: Interior panels and equipment (Sheet 1 of 2)



ICN-SPORTSTAR-A-25-10-00-E-0396G-00058-A-001-01.CGM

Figure 1: Interior panels and equipment (Sheet 2 of 2)

Fig.	Item	Units per assembly / Units of issue	NCAGE	Part Number NATO Stock Number	Nomenclature	*Usable on code assy •MV/Effect	I C Y
1A							
-	0	1	0396G	S8 00-10 01	Interior panels and equipment		
	1	1	0396G	S8 10-02 01	• Amrest installation		
	2	AR	0396G	S8 13-02 01	• Interior plastic foil		
	3	2	0396G	E1 02-41 21	• Fixture		
	5	1	0396G	S8 10-14 01	• Central console - assembled		
	6	1	0396G	S8 10-05 21	• Flaps lever cover		
	7	1	0396G	S8 10-07 21	• Instrument panel ledge - central		
	8	1	0396G	S8 10-08 21	• Central channel panel - left		
	9	1	0396G	S8 10-08 22	• Central channel panel - right		
	10	1	0396G	S8 10-03 01	• Instrument panel ledge - left		
	11	1	0396G	S8 10-04 01	• Instrument panel ledge - right		
	12	1	0396G	S8 10-05 01	• Controls cover - left		
	13	1	0396G	S8 10-05 02	• Controls cover - right		
	14	1	0396G	S8 01-20 01	• Carpet - left		
	15	1	0396G	S8 01-20 02	• Carpet - right		
	16	1	0396G	S8 10-06 01	• Central panel - assembled		
-	17	1	0396G	E8 80-02 01	• Evektor logo		
	18	2	0396G	S4 04-04 21	• Control stick handle		
	19	1	0396G	S4 04-05 21	• Flaps lever handle		

Fig.	Item	Units per assembly / Units of issue	NCAGE	Part Number NATO Stock Number	Nomenclature	*Usable on code assy •MV/Effect	I C Y
1A							
	20	1	0396G	S8 10-11 01	• Controls cover - left, for extinguisher		
	25	39	0396G	004985	• Screw M4x12		
	28	6	0396G	035413 (DIN 985)	• Nut M3		
	29	6	0396G	033651	• Nut M4		
	30	2	0396G	033601	• Nut M4		
	31	6	0396G	038198 (ISO 7089)	• Washer 3.2		
	32	8	0396G	047631	• Binder screw SR 1999		
	34	AR	0396G	085897	• Rubber pad		
	35	2	0396G	001295 (ISO 4017)	• Screw M4x12		
	36	10	0396G	038204 (ISO 7089)	• Washer 4.3		
	37	10	0396G	033850 (DIN 980 V)	• Nut M4		
	38	AR	0396G	085904	• Rubber pad		
-	700	20	0396G	047590 (AVDEL 1604-0412)	• Rivet 3.2x9.5		
-	710	4	0396G	047565 (AVDEL 1691-0414)	• Rivet 3.2x11.1		

This page has been intentionally left blank.

Armrest

Illustrated parts data

Table of Contents

	Page
Armrest - Illustrated parts data.....	1

Index of Tables

	Page
1 References.....	1

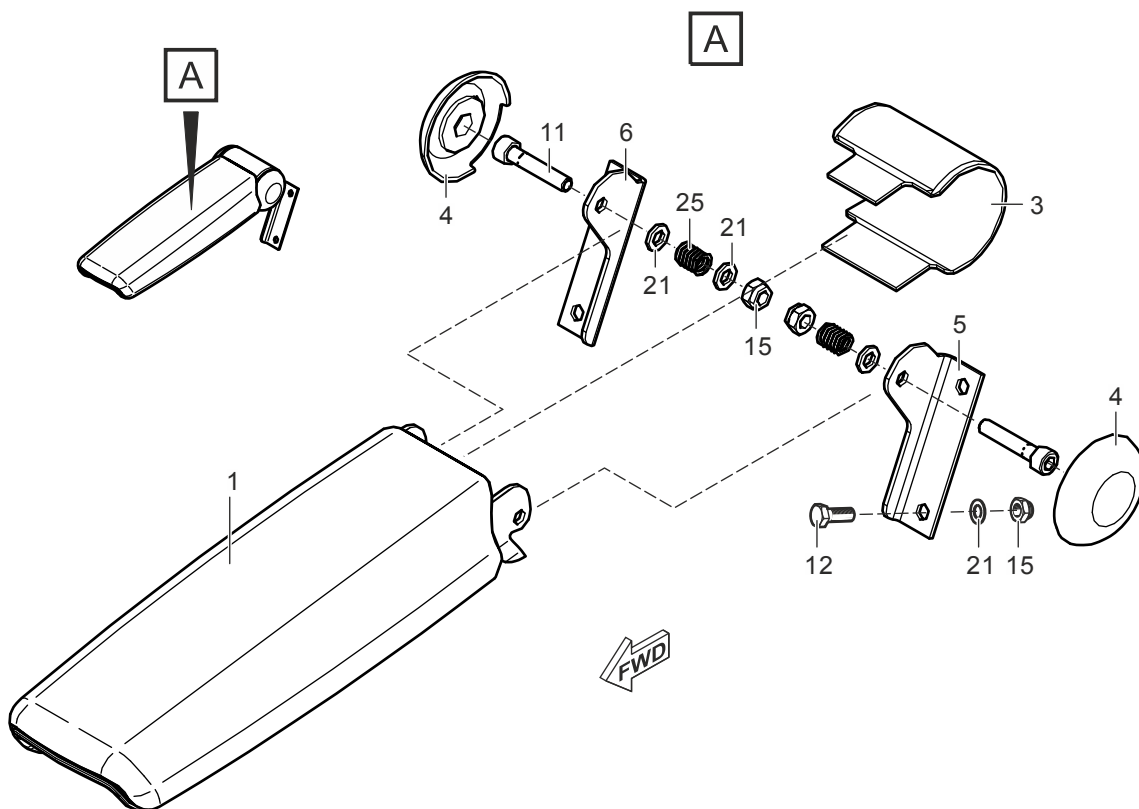
Index of Figures

	Page
1 Armrest.....	1

References

Table 1 References

Data module/Technical publication	Title
None	



ICN-SPORTSTAR-A-25-10-00-E-0396G-00059-A-001-01.CGM

Figure 1: Armrest

Applicability: All

SPORTSTAR-A-25-11-01-01A-941A-D

Fig.	Item	Units per assembly / Units of issue	NCAGE	Part Number NATO Stock Number	Nomenclature	*Usable on code assy •MV/Effect	I C Y
1A							
-	0	1	0396G	S8 10-02 01	Amrest installation		
	1	1	0396G	S8 02-03 01	• Amrest		
	3	1	0396G	S8 02-12 21	• Amrest back cover		
	4	2	0396G	S8 02-13 21	• Lid		
	5	1	0396G	S8 02-06 21	• Amrest hinge - left		
	6	1	0396G	S8 02-06 22	• Amrest hinge - right		
	11	2	0396G	009802 (ISO 4762)	• Screw M6x30		
	12	4	0396G	001930 (ISO 4017)	• Screw M6x16		
	15	6	0396G	033860 (DIN 980 V)	• Nut M6		
	21	8	0396G	038206 (ISO 7089)	• Washer 6.4		
	25	2	0396G	055579	• Push spring		
-	700	AR	0396G	096221	• Sealant Emfimastic PU 50 - grey		

Flaps lever rubber sleeve

Illustrated parts data

Table of Contents

Page

	Flaps lever rubber sleeve - Illustrated parts data.....	1
--	---	---

Index of Tables

Page

1	References.....	1
---	-----------------	---

Index of Figures

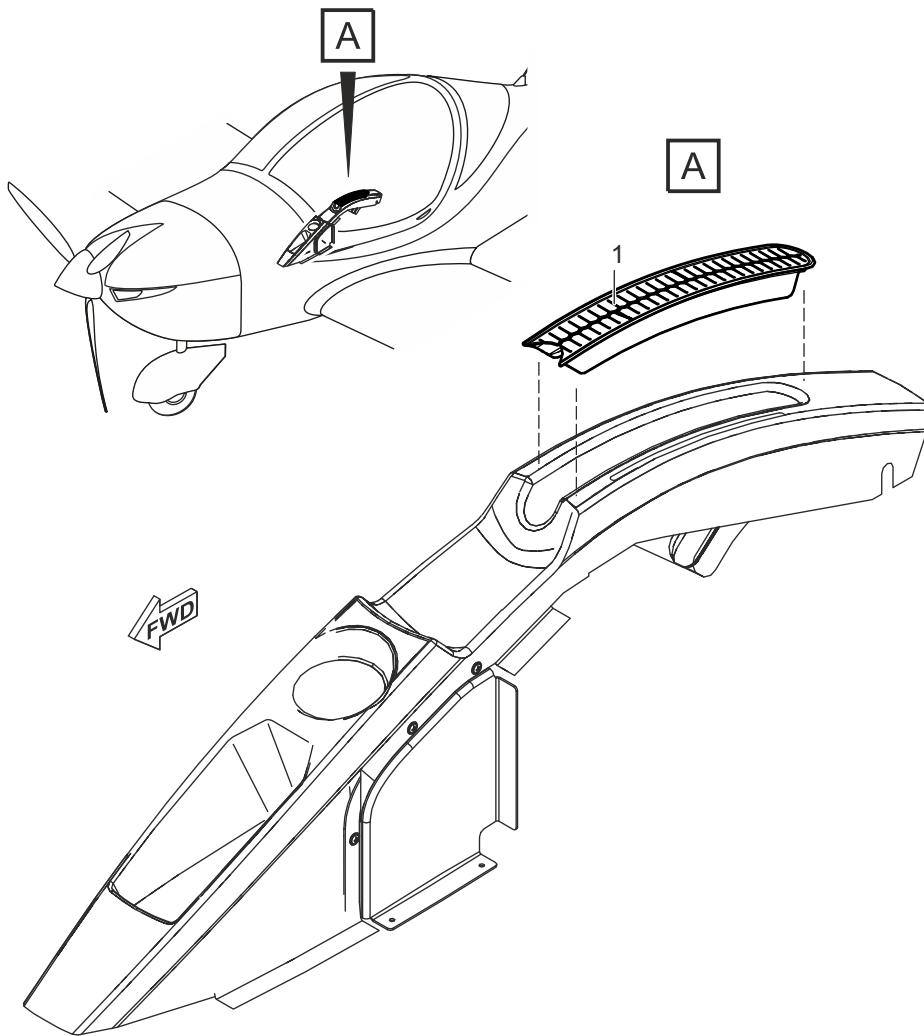
Page

1	Flaps lever rubber sleeve.....	2
---	--------------------------------	---

References

Table 1 References

Data module/Technical publication	Title
None	



ICN-SPORTSTAR-A-25-10-00-E-0396G-00060-A-001-01.CGM

Figure 1: Flaps lever rubber sleeve

Fig.	Item	Units per assembly / Units of issue	NCAGE	Part Number NATO Stock Number	Nomenclature	*Usable on code assy •MV/Effect	I C Y
1A							
-	0	1	0396G	S4 04-06 01	Flaps lever rubber sleeve		
	1	1	0396G	S4 04-08 01	• Rubber sleeve		
-	100	AR	0396G	096227	• Sealant Sabatack 750 black		

Interior panels

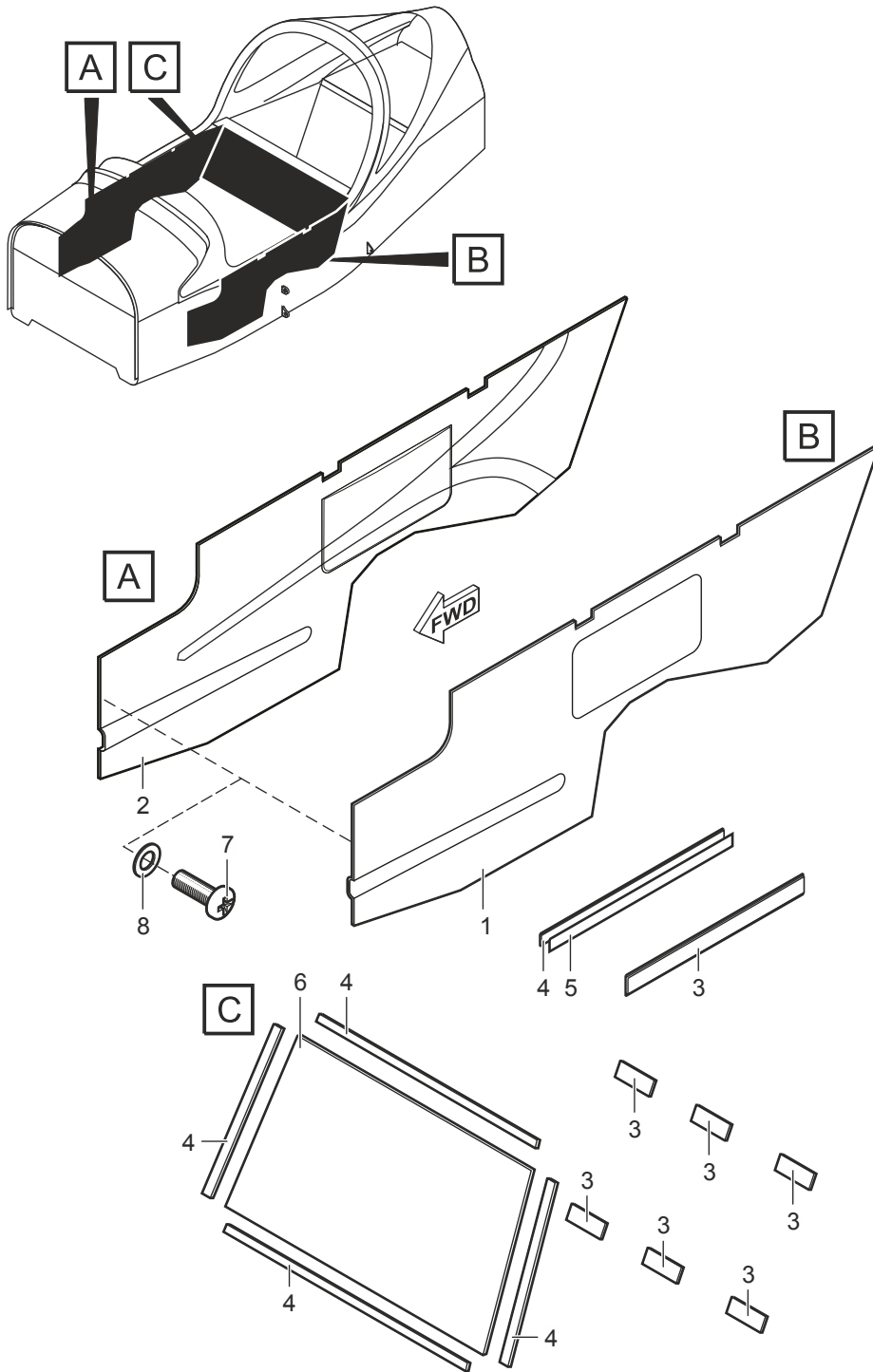
Illustrated parts data

Table of Contents	Page
Interior panels - Illustrated parts data.....	1
Index of Tables	Page
1 References.....	1
Index of Figures	Page
1 Interior panels.....	2

References

Table 1 References

Data module/Technical publication	Title
None	



ICN-SPORTSTAR-A-25-10-00-E-0396G-00144-A-001-01.CGM
 Figure 1: Interior panels

Fig.	Item	Units per assembly / Units of issue	NCAGE	Part Number NATO Stock Number	Nomenclature	*Usable on code assy •MV/Effect	I C Y
1A							
-	0	1	0396G	25-11-03	Interior panels		
	1	1	0396G	S8 11-00 01	• Interior panel - left		
	2	1	0396G	S8 11-00 02	• Interior panel - right		
	3	AR	0396G	086599	• Velcro strap - loops		
	4	AR	0396G	086604	• Velcro strap - loops		
	5	AR	0396G	086603	• Velcro strap - hooks		
	6	1	0396G	S8 01-10 01	• Back rest sheet		
	7	2	0396G	010971 (ISO 7045)	• Screw M3x12		
	8	2	0396G	038237 (ISO 7089)	• Washer 3.7		

This page has been intentionally left blank.

Carpets

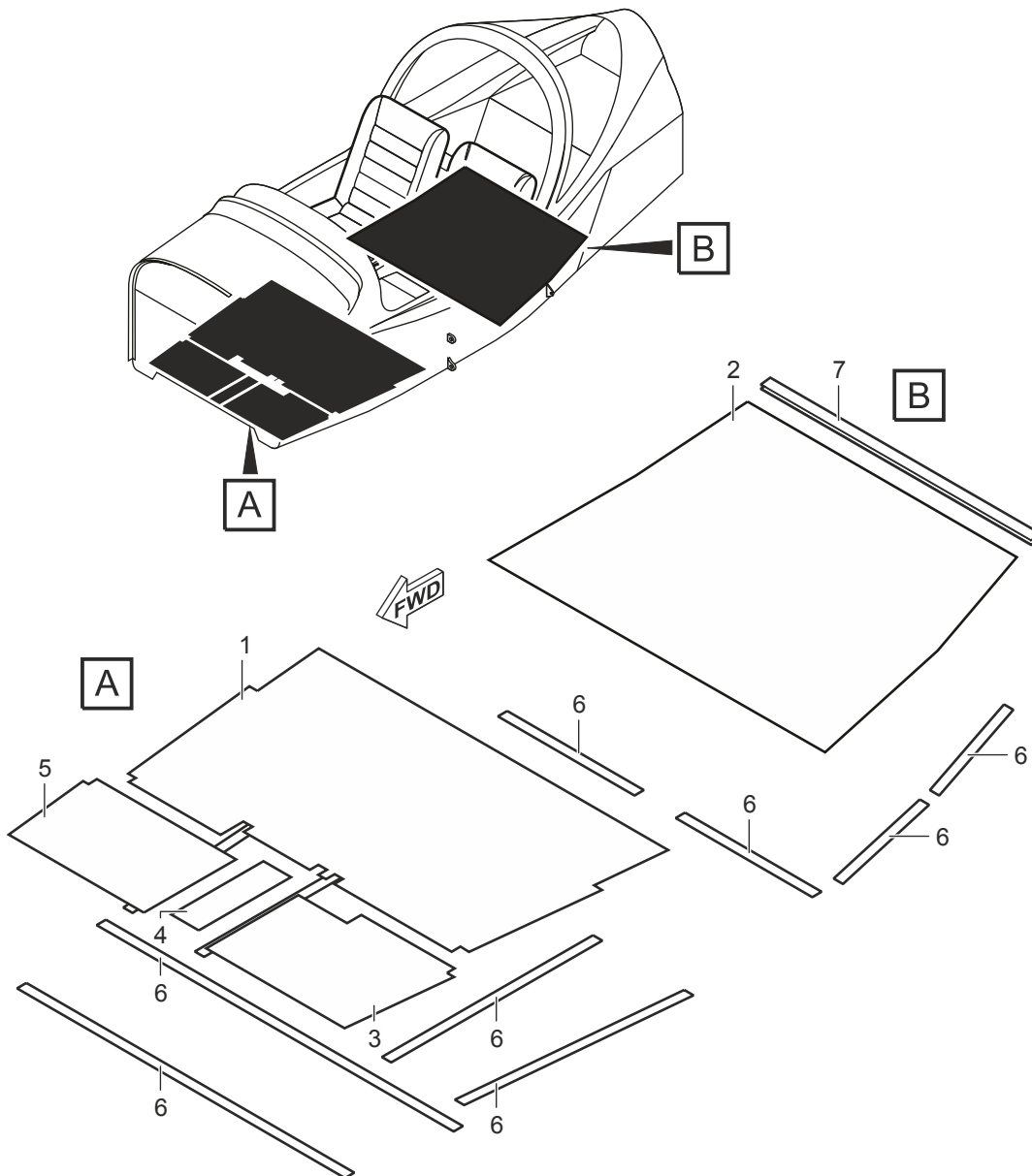
Illustrated parts data

Table of Contents	Page
Carpets - Illustrated parts data.....	1
Index of Tables	Page
1 References.....	1
Index of Figures	Page
1 Carpets.....	2

References

Table 1 References

Data module/Technical publication	Title
None	



ICN-SPORTSTAR-A-25-10-00-E-0396G-00145-A-001-01.CGM

Figure 1: Carpets

Fig.	Item	Units per assembly / Units of issue	NCAGE	Part Number NATO Stock Number	Nomenclature	*Usable on code assy •MV/Effect	I C Y
1A							
-	0	1	0396G	25-11-04	Carpets		
	1	1	0396G	S8 11-15 21	• Carpet		

Applicability: All

SPORTSTAR-A-25-11-04-01A-941A-D

Fig.	Item	Units per assembly / Units of issue	NCAGE	Part Number NATO Stock Number	Nomenclature	*Usable on code assy •MV/Effect	I C Y
1A							
	2	1	0396G	S8 03-04 21	• Carpet in the bagage compartment		
	3	1	0396G	S8 11-12 21	• Front carpet - left		
	4	1	0396G	S8 11-13 21	• Front carpet - middle		
	5	1	0396G	S8 11-14 21	• Front carpet - right		
	6	AR	0396G	086598	• Velcro strap - hooks		
	7	AR	0396G	086851	• Rubber strap		

This page has been intentionally left blank.

Canopy arm rest

Illustrated parts data

Table of Contents

	Page
Canopy arm rest - Illustrated parts data.....	1

Index of Tables

	Page
1 References.....	1

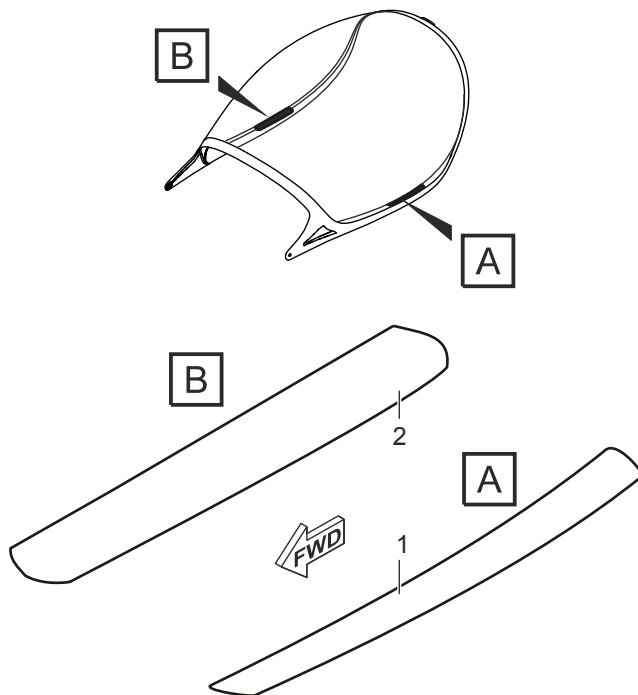
Index of Figures

	Page
1 Canopy armrest.....	1

References

Table 1 References

Data module/Technical publication	Title
None	



ICN-SPORTSTAR-A-25-10-00-E-0396G-00146-A-001-01.CGM

Figure 1: Canopy armrest



Fig.	Item	Units per assembly / Units of issue	NCAGE	Part Number NATO Stock Number	Nomenclature	*Usable on code assy •MV/Effect	I C Y
<hr/>							
1A							
-	0	1	0396G	25-11-05	Canopy armrest		
	1	1	0396G	S1 66-70 01	• Armrest - left		
	2	1	0396G	S1 66-70 02	• Armrest - right		

Interior covers

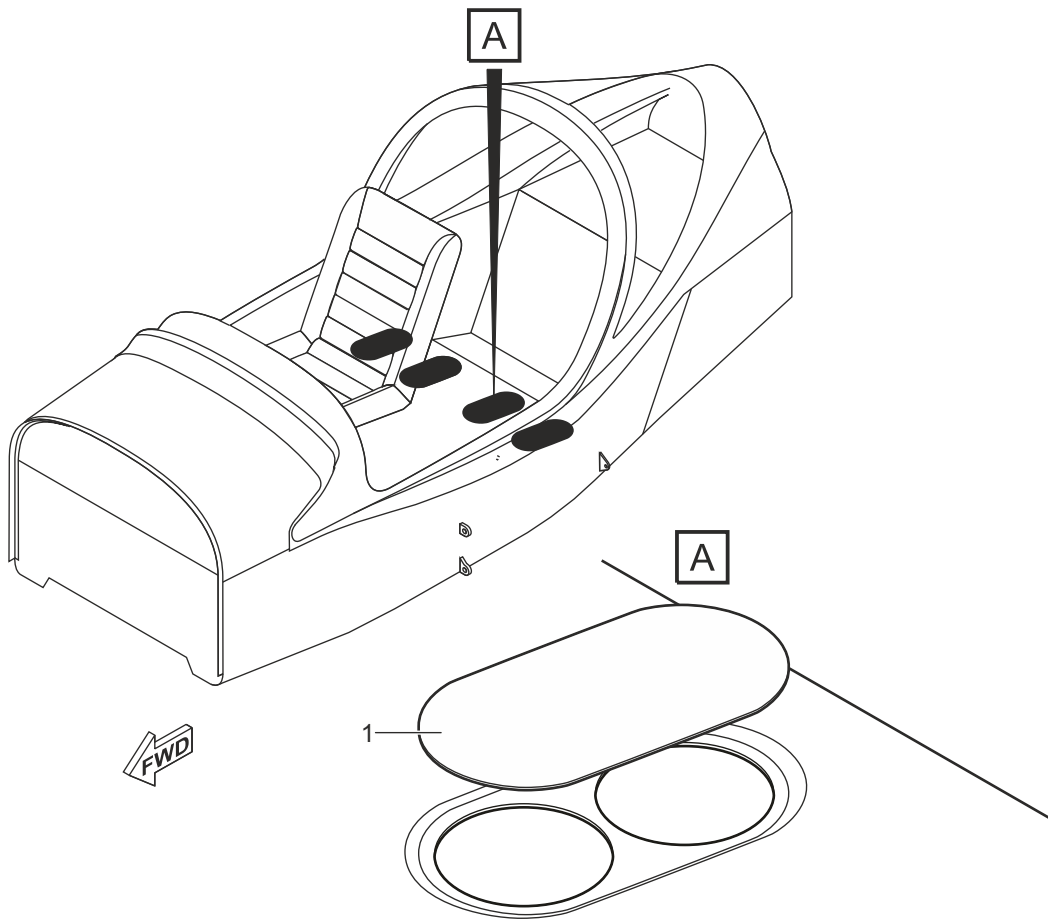
Illustrated parts data

Table of Contents	Page
Interior covers - Illustrated parts data.....	1
Index of Tables	Page
1 References.....	1
Index of Figures	Page
1 Interior covers.....	2

References

Table 1 References

Data module/Technical publication	Title
None	



ICN-SPORTSTAR-A-25-10-00-E-0396G-00147-A-001-01.CGM

Figure 1: Interior covers

Fig.	Item	Units per assembly / Units of issue	NCAGE	Part Number NATO Stock Number	Nomenclature	*Usable on code assy •MV/Effect	I C Y
1A	-	0	0396G	25-11-06	Interior covers and lids		
		1	0396G	S8 03-05 21	• Lid		

Control stick sleeve

Illustrated parts data

Table of Contents

	Page
Control stick sleeve - Illustrated parts data.....	1

Index of Tables

	Page
1 References.....	1

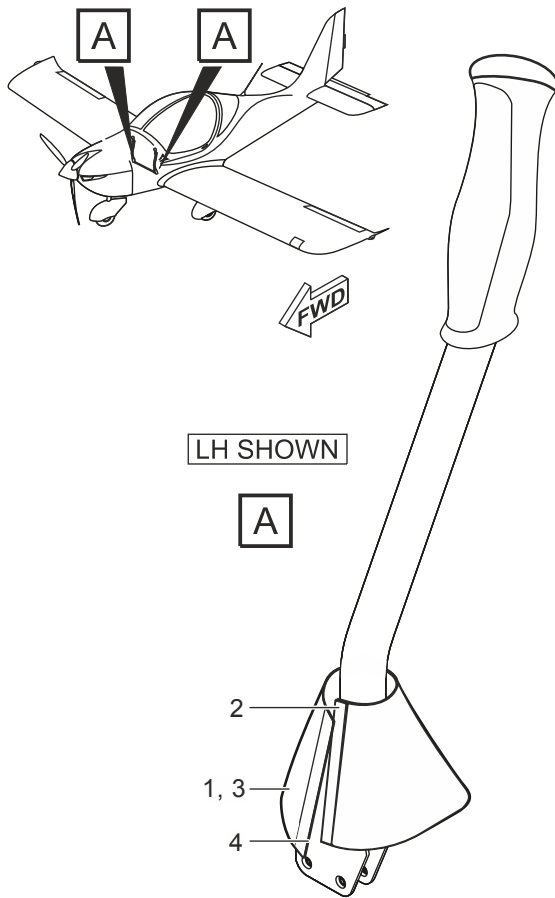
Index of Figures

	Page
1 Control stick sleeve.....	2

References

Table 1 References

Data module/Technical publication	Title
None	



ICN-SPORTSTAR-A-25-10-00-E-0396G-00148-A-001-01.CGM

Figure 1: Control stick sleeve

Fig.	Item	Units per assembly / Units of issue	NCAGE	Part Number NATO Stock Number	Nomenclature	*Usable on code assy •MV/Effect	I C Y
1A							
-	0	1	0396G	25-11-07	Control stick sleeve		
	1	1	0396G	E8 01-13 01	• Control stick sleeve		
	2	AR	0396G	086603	• Velcro strap - hooks		
	3	AR	0396G	086039	• Sewing SYNTON 20		
	4	AR	0396G	086604	• Velcro strap - loops		

Baggage compartment upholstery

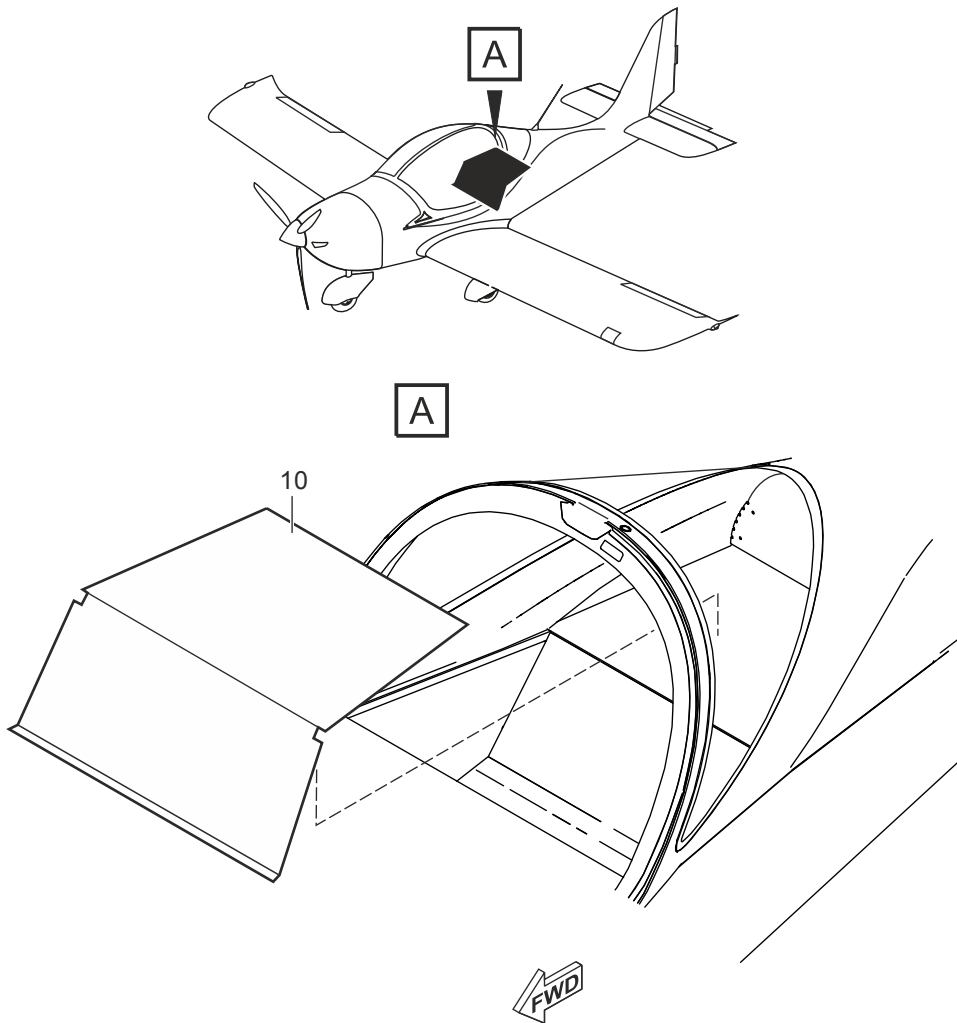
Illustrated parts data

Table of Contents	Page
Baggage compartment upholstery - Illustrated parts data.....	1
Index of Tables	Page
1 References.....	1
Index of Figures	Page
1 Baggage compartment upholstery.....	2

References

Table 1 References

Data module/Technical publication	Title
None	



ICN-SPORTSTAR-A-25-50-00-E-0396G-00048-A-001-01.CGM

Figure 1: Baggage compartment upholstery

Fig.	Item	Units per assembly / Units of issue	NCAGE	Part Number NATO Stock Number	Nomenclature	*Usable on code assy •MV/Effect	I C Y
1A							
-	0	1	0396G	E8 70-00 01	Baggage department upholstery		
	10	AR	0396G	084940	• Fabric		
-	20	AR	0396G	872307	• Adhesive Sabaspray 20		

Baggage compartment equipment

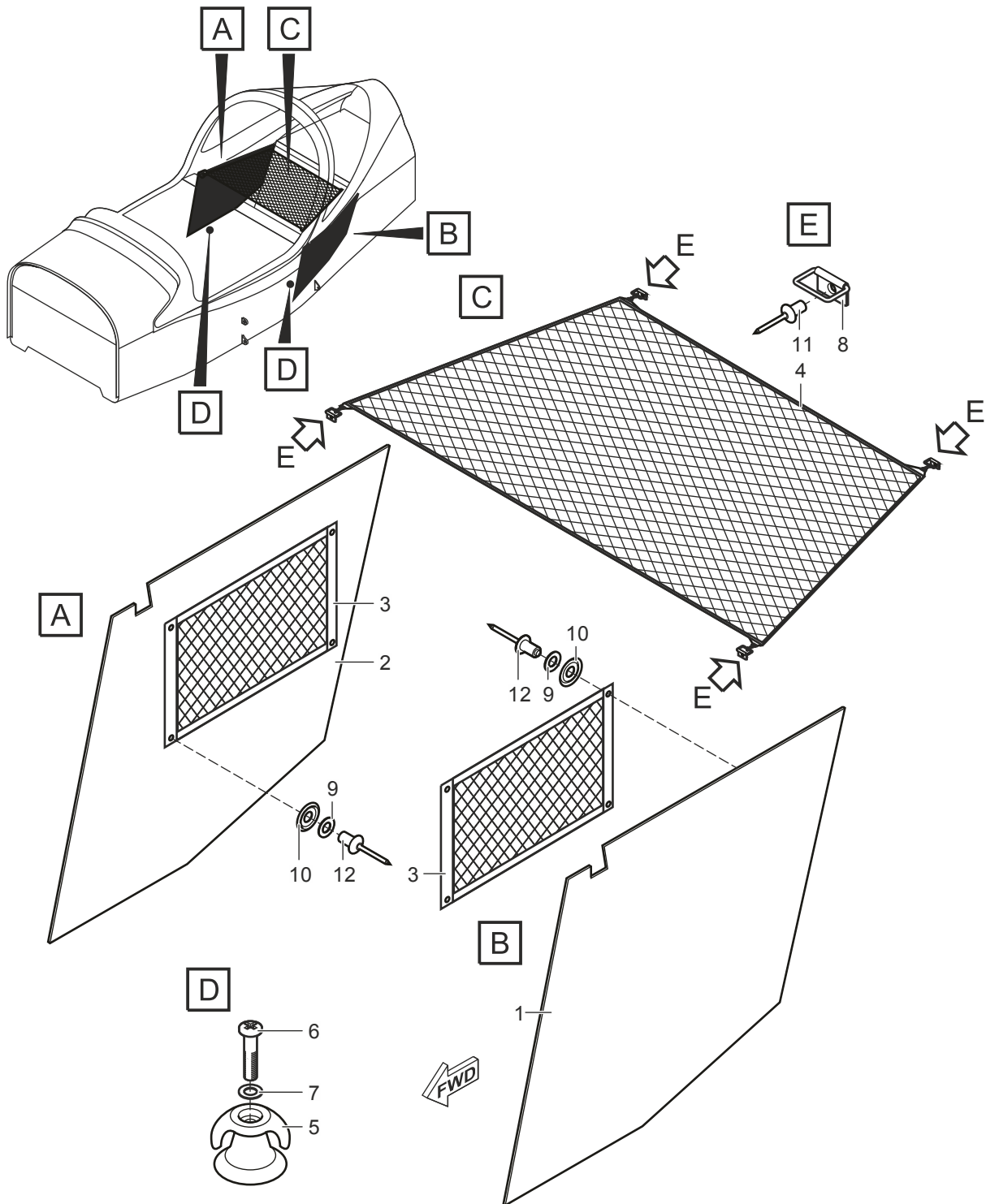
Illustrated parts data

Table of Contents	Page
Baggage compartment equipment - Illustrated parts data.....	1
Index of Tables	Page
1 References.....	1
Index of Figures	Page
1 Baggage compartment equipment.....	2

References

Table 1 References

Data module/Technical publication	Title
None	



ICN-SPORTSTAR-A-25-50-00-E-0396G-00149-A-001-01.CGM

Figure 1: Baggage compartment equipment

Fig.	Item	Units per assembly / Units of issue	NCAGE	Part Number NATO Stock Number	Nomenclature	*Usable on code assy •MV/Effect	I C Y
1A							
-	0	1	0396G	25-50-02	Baggage compartment equipment		
	1	1	0396G	S8 01-07 01	• Interior panel - left		
	2	1	0396G	S8 01-07 02	• Interior panel - right		
	3	2	0396G	720075	• Net pocket		
	4	1	0396G	087788	• Net in the baggage compartment		
	5	2	0396G	087936	• Hook		
	6	2	0396G	010967 (ISO 7045)	• Screw M5x25		
	7	2	0396G	038193 (ISO 7089)	• Washer 5.3		
	8	4	0396G	087935	• Eyelets		
	9	8	0396G	038204 (ISO 7089)	• Washer 4.3		
	10	8	0396G	038690	• Washer		
	11	4	0396G	047569	• Rivet 4x9.5		
	12	8	0396G	047570 (AVDEL 1691-0516)	• Rivet 4x12.7		

This page has been intentionally left blank.

Emergency

Illustrated parts data

Table of Contents

	Page
Emergency - Illustrated parts data.....	1

Index of Tables

	Page
1 References.....	1

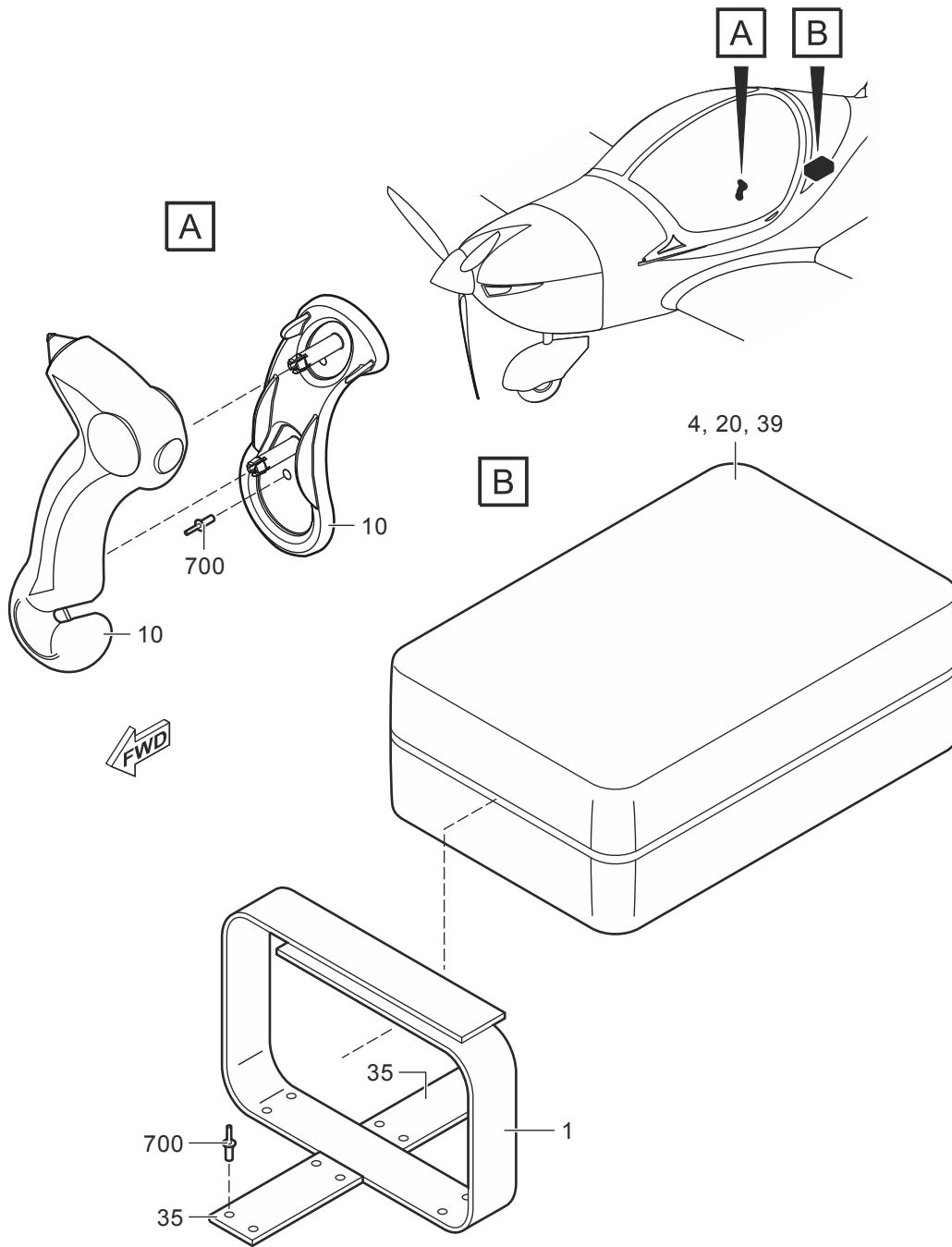
Index of Figures

	Page
1 Emergency equipment.....	2

References

Table 1 References

Data module/Technical publication	Title
None	



ICN-SPORTSTAR-A-25-60-00-E-0396G-00042-A-001-01.CGM

Figure 1: Emergency equipment

Fig.	Item	Units per assembly / Units of issue	NCAGE	Part Number NATO Stock Number	Nomenclature	*Usable on code assy •MV/Effect	I C Y
1A							
-	0	1	0396G	25-60-00	Emergency equipment		
	1	1	0396G	S8 00-13 01	• Fastening strap		
	4	1	0396G	S8 12-00 01	• Emergency signal card		
	10	1	0396G	083920	• Emergency hammer		
	20	1	0396G	448030	• First aid kit		
	35	AR	0396G	086599	• Velcro strap - loops		
	39	1	0396G	448039	• Medical gloves		
	700	14	0396G	047560 (AVDEL 1691-0410)	• Rivet 3.2x7.9		

This page has been intentionally left blank.

AK-451 ELT

Illustrated parts data

Table of Contents

	Page
AK-451 ELT - Illustrated parts data.....	1

Index of Tables

	Page
1 References.....	1

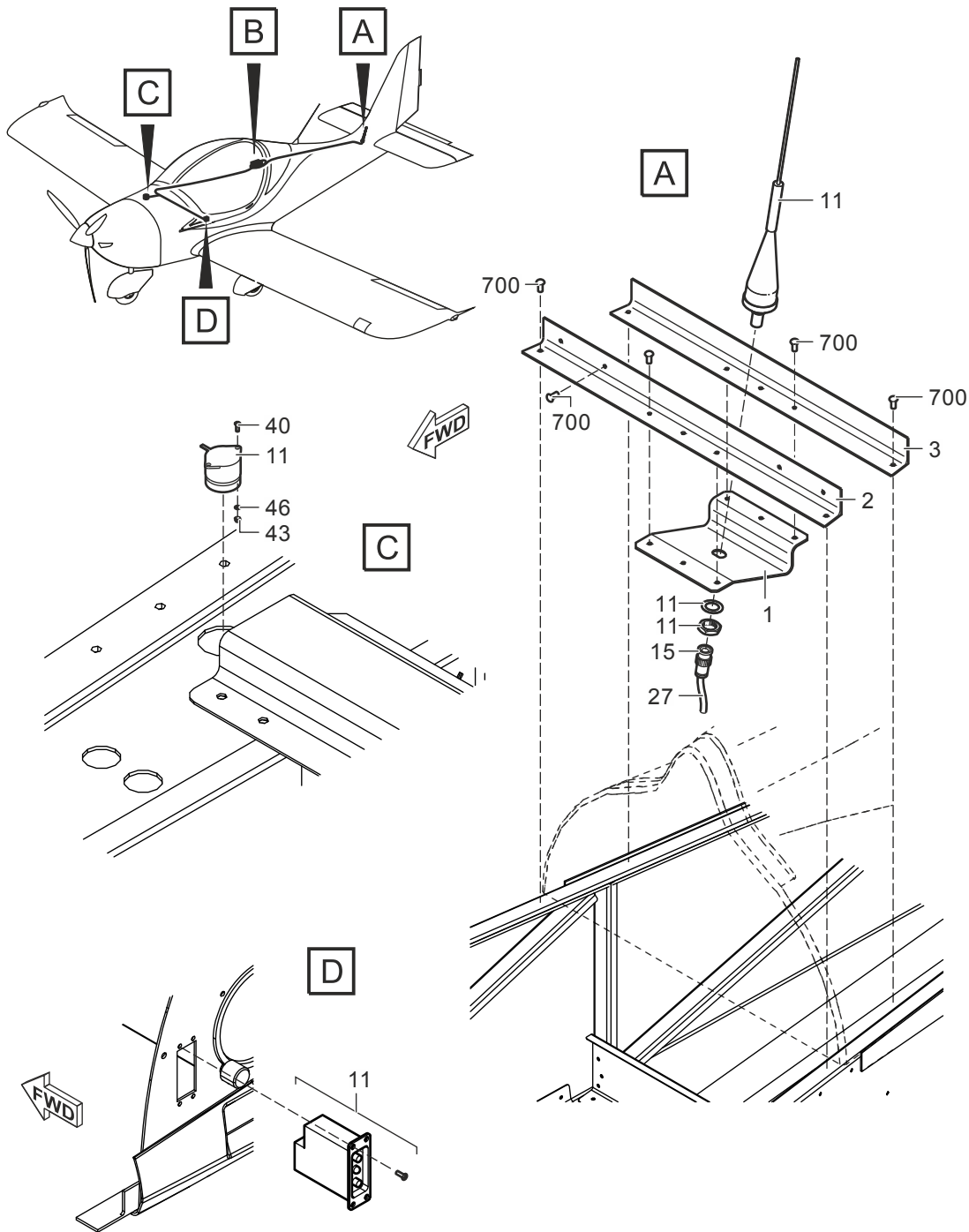
Index of Figures

	Page
1 ELT AK-451.....	2

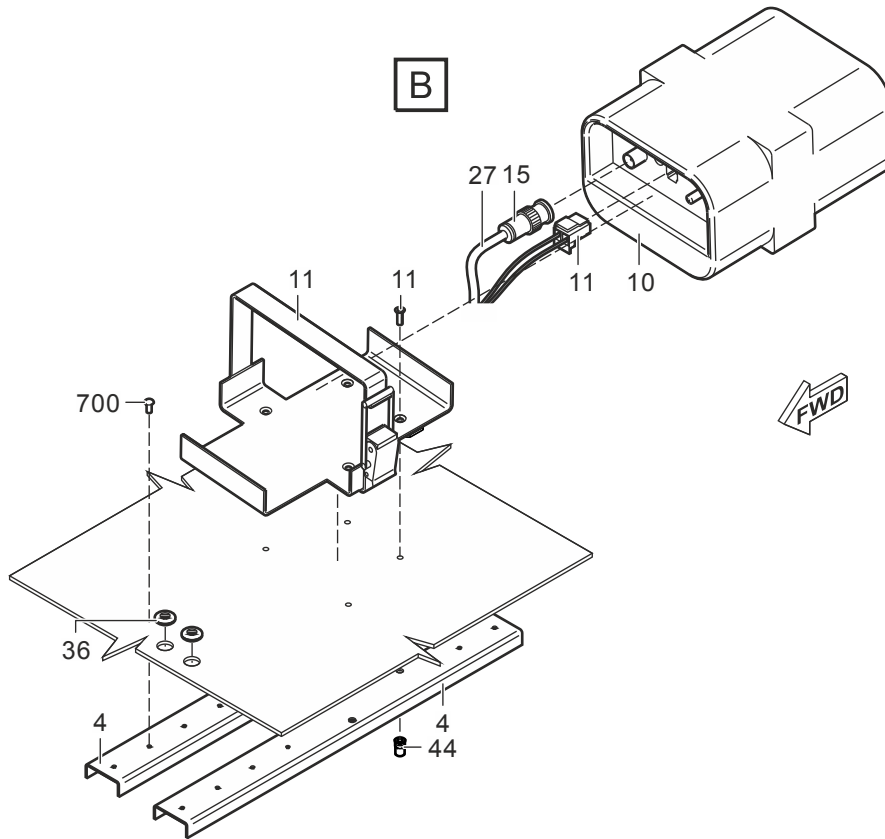
References

Table 1 References

Data module/Technical publication	Title
None	



ICN-SPORTSTAR-A-25-60-00-E-0396G-00061-A-001-01.CGM
 Figure 1: ELT AK-451 (Sheet 1 of 2)



ICN-SPORTSTAR-A-25-60-00-E-0396G-00062-A-001-01.CGM

Figure 1: ELT AK-451 (Sheet 2 of 2)

Fig.	Item	Units per assembly / Units of issue	NCAGE	Part Number NATO Stock Number	Nomenclature	*Usable on code assy •MV/Effect	I C Y
1A	-	0	1	0396G S7 01-05 01	ELT AK-451		
	1	1	0396G	S7 01-21 21	• Bracket		
	2	1	0396G	S7 01-22 21	• Angle bar - front		
	3	1	0396G	S7 01-23 21	• Angle bar - rear		
	4	2	0396G	S7 01-02 21	• Reinforcement		
	10	1	0396G	080221	• ELT AK-451 unit		
	11	1	0396G	080225	• AK-451 installation kit		
	15	2	0396G	068983	• BNC connector		

Applicability: All

SPORTSTAR-A-25-60-01-01A-941A-D

Fig.	Item	Units per assembly / Units of issue	NCAGE	Part Number NATO Stock Number	Nomenclature	*Usable on code assy •MV/Effect	I C Y
1A							
	27	AR	0396G	739737	• Coaxial cable		
-	32	5	0396G	060332	• Cable tie		
-	33	10	0396G	060333	• Cable tie		
-	34	2	0396G	060465	• Self-adhesive clamp		
-	36	1	0396G	076809	• Bushing 5.5x1		
	40	2	0396G	003150 (CSN 02 1131.24)	• Screw M3x10		
	41	4	0396G	009071 (CSN 02 1151.24)	• Screw M3x12		
	43	2	0396G	035413 (DIN 985)	• Nut M3		
	44	4	0396G	035425	• Anchor nut M3		
	46	2	0396G	038203 (ISO 7089)	• Washer 3.2		
	700	26	0396G	047560 (AVDEL 1691-0410)	• Rivet 3.2x7.9		

Artex ME406 ELT

Illustrated parts data

Table of Contents	Page
Artex ME406 ELT - Illustrated parts data.....	1

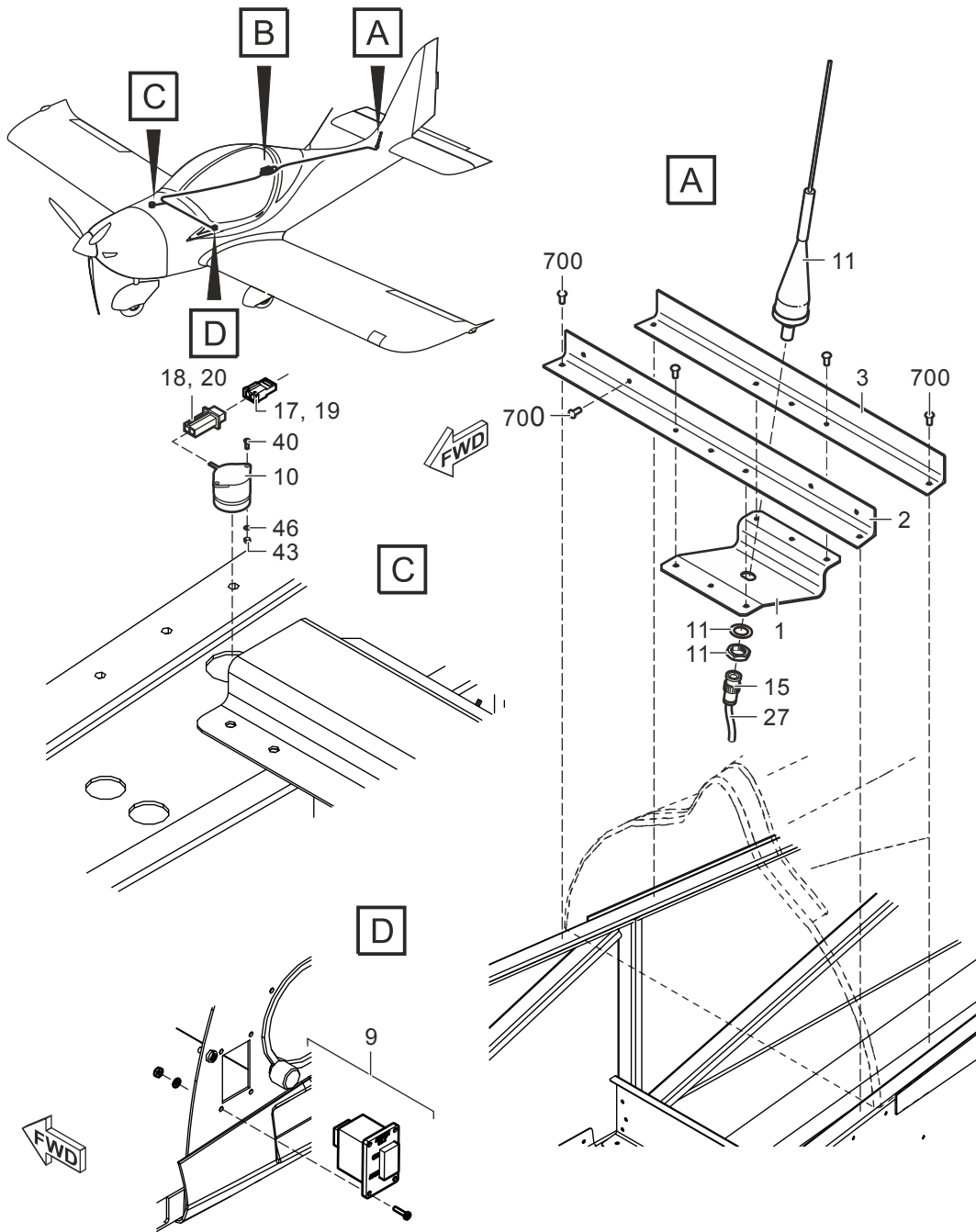
Index of Tables	Page
1 References.....	1

Index of Figures	Page
1 ELT Artex ME406.....	2

References

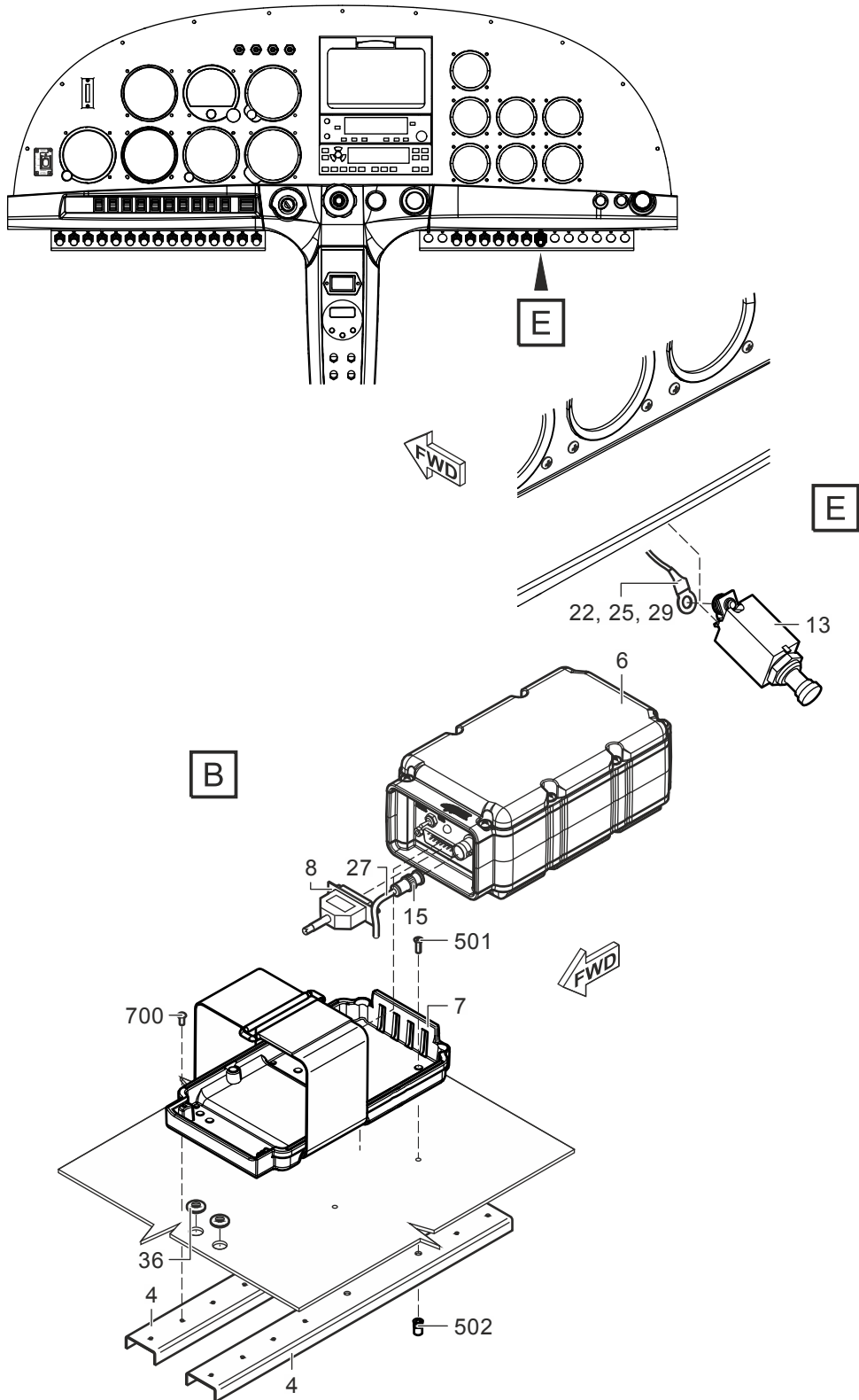
Table 1 References

Data module/Technical publication	Title
None	



ICN-SPORTSTAR-A-25-60-00-E-0396G-00063-A-001-01.CGM

Figure 1: ELT Artex ME406 (Sheet 1 of 2)



ICN-SPORTSTAR-A-25-60-00-E-0396G-00064-A-001-01.CGM

Figure 1: ELT Artex ME406 (Sheet 2 of 2)

Fig.	Item	Units per assembly / Units of issue	NCAGE	Part Number NATO Stock Number	Nomenclature	*Usable on code assy •MV/Effect	I C Y
1A							
-	0	1	0396G	S7 01-20 01	ELT Artex ME406		
	1	1	0396G	S7 01-21 21	• Bracket		
	2	1	0396G	S7 01-22 21	• Angle bar - front		
	3	1	0396G	S7 01-23 21	• Angle bar - rear		
	4	2	0396G	S7 01-02 21	• Reinforcement		
	6	1	0396G	080214 (ARTEX 453-6603)	• ELT ME406 unit		
	7	1	0396G	080215 (ARTEX 452-3034)	• ELT bracket		
	8	1	0396G	080216 (ARTEX 455-7423)	• ME406 installation kit		
	9	1	0396G	080217 (ARTEX 455-6196)	• ELT remote control panel		
	10	1	0396G	080218 (ARTEX 452-6505)	• Buzzer		
	11	1	0396G	080219 (ARTEX 110-773)	• ELT antenna		
	13	1	0396G	739585	• Circuit breaker 2TC2-1		
	15	2	0396G	068983	• BNC connector		
	17	1	0396G	068640	• Connector - socket type		
	18	1	0396G	068641	• Connector - plug type		
	19	2	0396G	068646	• Socket (AWG22-18)		
	20	2	0396G	068648	• Plug (AWG22-18)		
	22	2	0396G	739772	• Ring cable eye		
	25	AR	0396G	739681	• Electrical wire AE22		
-	26	AE	0396G	739693	• Shielded wire RE22		

Applicability: All

SPORTSTAR-A-25-60-02-01A-941A-D

Fig.	Item	Units per assembly / Units of issue	NCAGE	Part Number NATO Stock Number	Nomenclature	*Usable on code assy •MV/Effect	I C Y
1A							
	27	AR	0396G	739737	• Coaxial cable		
-	29	AR	0396G	088086	• Shrink tube RNF-3000		
	30	AR	0396G	088087	• Shrink tube RNF-3000		
-	32	15	0396G	060332	• Cable tie		
-	33	6	0396G	060333	• Cable tie		
-	34	2	0396G	060465	• Self-adhesive clamp		
-	36	2	0396G	076809	• Bushing 5.5x1		
	40	2	0396G	004957 (ISO 1207)	• Screw M3x10		
	43	2	0396G	035413 (DIN 985)	• Nut M3		
	46	2	0396G	038203 (ISO 7089)	• Washer 3.2		
	501	4	0396G	004986	• Screw M4x16		
	502	4	0396G	035410	• Anchor nut M4		
	700	26	0396G	047560 (AVDEL 1691-0410)	• Rivet 3.2x7.9		

This page has been intentionally left blank.

Kannad AF Integra ELT***Illustrated parts data*****Table of Contents**

Page

Kannad AF Integra ELT - Illustrated parts data.....	1
---	---

Index of Tables

Page

1	References.....	1
---	-----------------	---

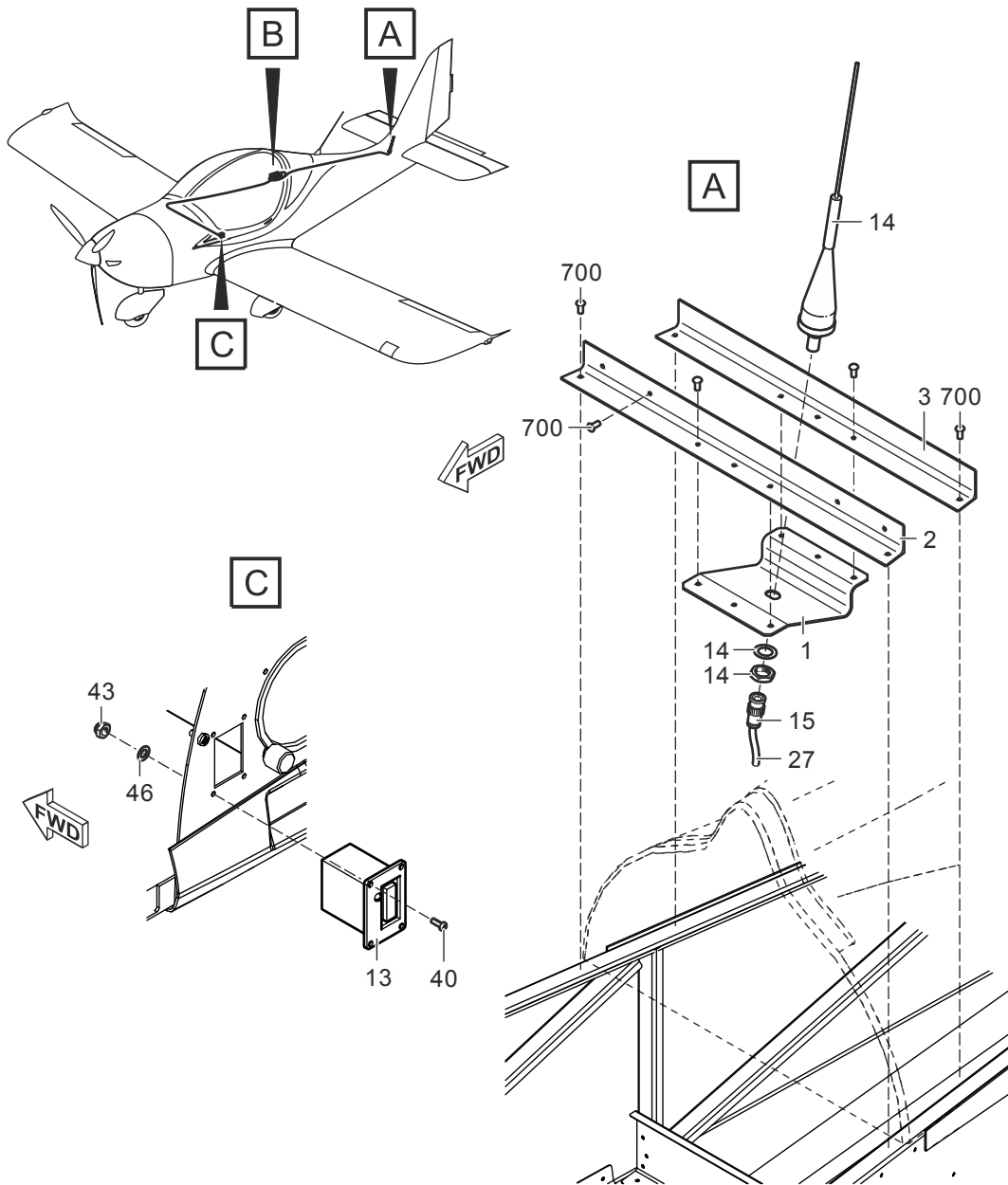
Index of Figures

Page

1	ELT Kannad AF Integra.....	2
---	----------------------------	---

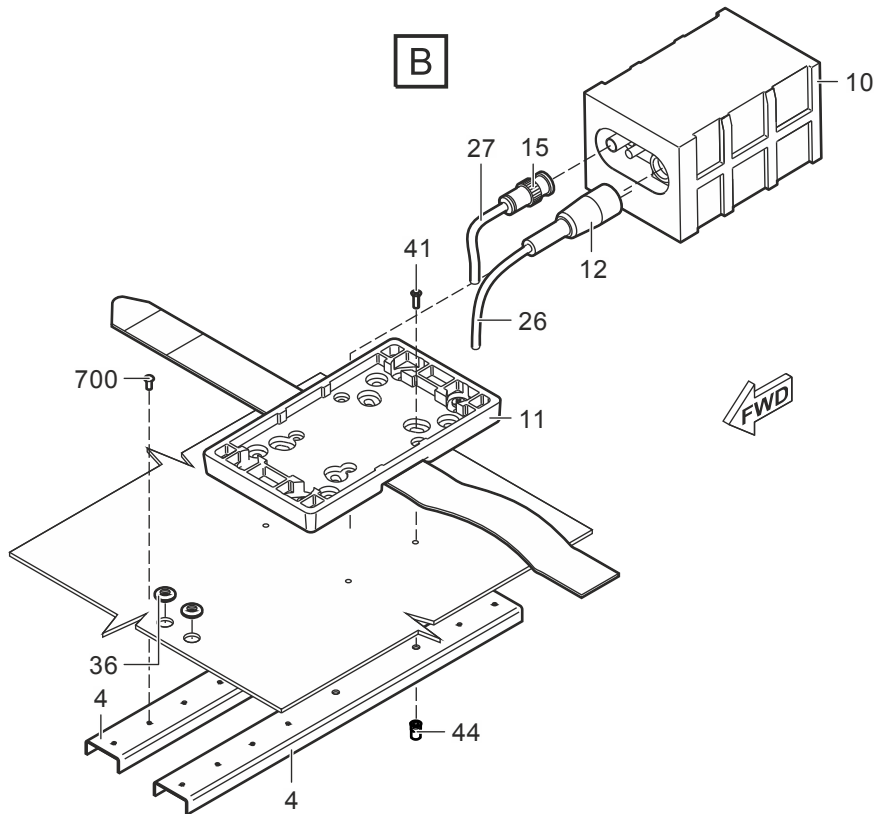
References*Table 1 References*

Data module/Technical publication	Title
None	



ICN-SPORTSTAR-A-25-60-00-E-0396G-00065-A-001-01.CGM

Figure 1: ELT Kannad AF Integra (Sheet 1 of 2)



ICN-SPORTSTAR-A-25-60-00-E-0396G-00066-A-001-01.CGM

Figure 1: ELT Kannad AF Integra (Sheet 2 of 2)

Fig.	Item	Units per assembly / Units of issue	NCAGE	Part Number NATO Stock Number	Nomenclature	*Usable on code assy •MV/Effect	I C Y
1A							
-	0	1	0396G	S7 01-28 01	ELT Kannad AF Integra		
	1	1	0396G	S7 01-21 21	• Bracket		
	2	1	0396G	S7 01-22 21	• Angle bar - front		
	3	1	0396G	S7 01-23 21	• Angle bar - rear		
	4	2	0396G	S7 01-02 21	• Reinforcement		
	10	1	0396G	750358 (KANNAD S1851501-02)	• ELT Kannad AF Integra unit		
	11	1	0396G	750364 (KANNAD S1840502-02)	• ELT bracket		

Fig.	Item	Units per assembly / Units of issue	NCAGE	Part Number NATO Stock Number	Nomenclature	*Usable on code assy •MV/Effect	I C Y
1A							
	12	1	0396G	750363 (KANNAD S1820514-03)	• Connector		
	13	1	0396G	750365 (KANNAD S1820513-18)	• ELT remote control panel		
	14	1	0396G	750366	• ELT antenna AV-200		
	15	2	0396G	068983	• BNC connector		
-	22	2	0396G	739772	• Ring cable eye		
-	25	AR	0396G	739681	• Electrical wire AE22		
	26	AR	0396G	739692	• Shielded wire UE22		
	27	AR	0396G	739737	• Coaxial cable		
-	29	AR	0396G	088086	• Shrink tube RNF-3000		
-	30	AR	0396G	088087	• Shrink tube RNF-3000		
-	32	12	0396G	060332	• Cable tie		
-	33	10	0396G	060333	• Cable tie		
-	34	2	0396G	060465	• Self-adhesive clamp		
	36	2	0396G	076809	• Bushing 5.5x1		
	40	4	0396G	010971 (ISO 7045)	• Screw M3x12		
	41	4	0396G	010967 (ISO 7045)	• Screw M5x25		
	43	4	0396G	035413 (DIN 985)	• Nut M3		
	44	4	0396G	035427	• Anchor nut M5		
	46	4	0396G	038203 (ISO 7089)	• Washer 3.2		
	700	26	0396G	047560 (AVDEL 1691-0410)	• Rivet 3.2x7.9		

Parachute rescue system Magnum Speed Soft 601

Illustrated parts data

Table of Contents	Page
Parachute rescue system Magnum Speed Soft 601 - Illustrated parts data.....	1

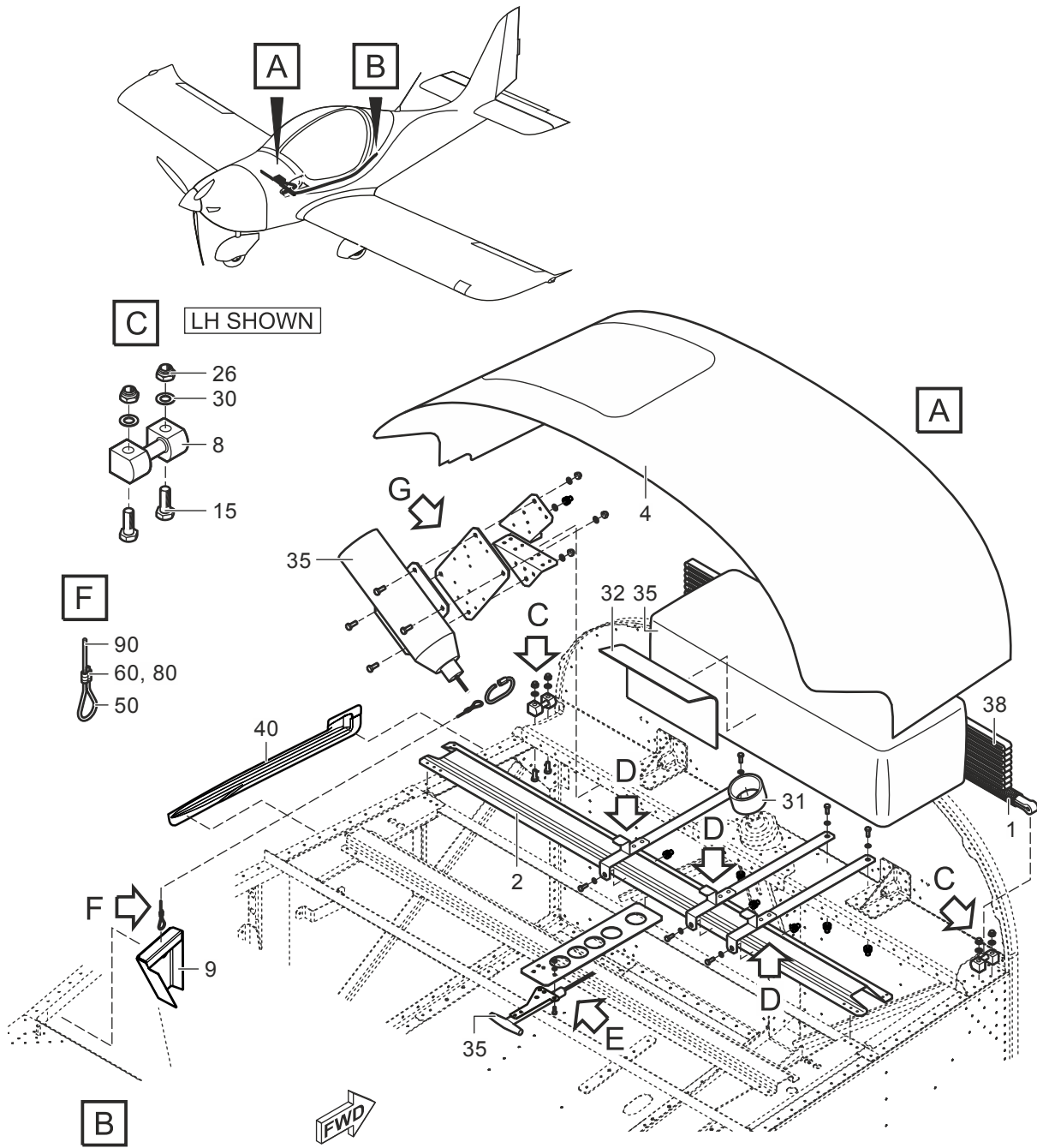
Index of Tables	Page
1 References.....	1

Index of Figures	Page
1 Parachute rescue system Magnum Speed Soft 601.....	2

References

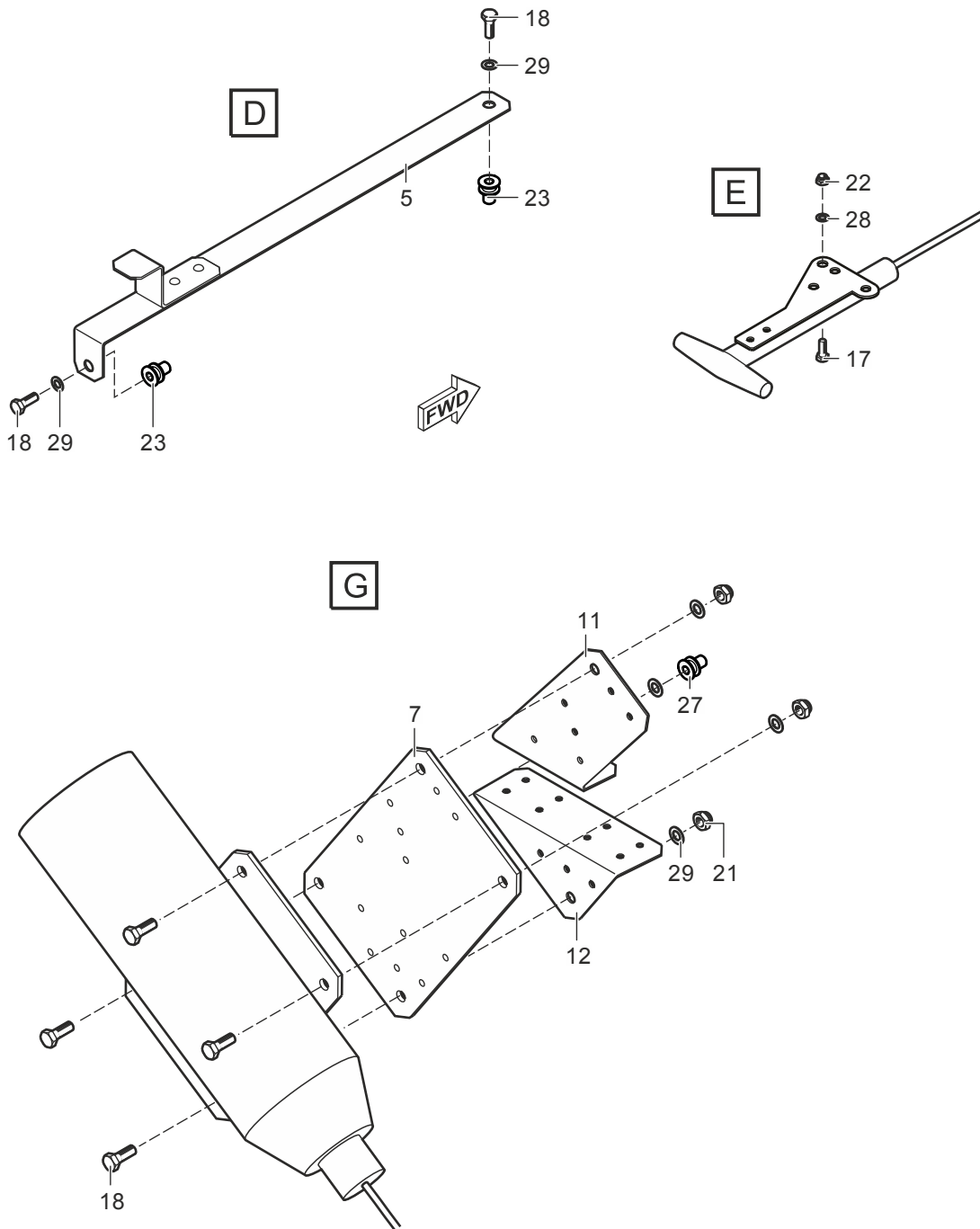
Table 1 References

Data module/Technical publication	Title
None	



ICN-SPORTSTAR-A-25-60-00-E-0396G-00069-A-001-01.CGM

Figure 1: Parachute rescue system Magnum Speed Soft 601 (Sheet 1 of 2)



ICN-SPORTSTAR-A-25-60-00-E-0396G-00070-A-001-01.CGM

Figure 1: Parachute rescue system Magnum Speed Soft 601 (Sheet 2 of 2)

Fig.	Item	Units per assembly / Units of issue	NCAGE	Part Number NATO Stock Number	Nomenclature	*Usable on code assy •MV/Effect	I C Y
1A							
-	0	1	0396G	S1 00-50 01	Parachute rescue system Magnum Speed Soft 601		
	1	1	0396G	E9 50-00 21	• Protective sleeve		
	2	1	0396G	E1 35-01 21	• Support beam		
	4	1	0396G	E1 02-95 01	• Fuselage upper cover		
	5	3	0396G	S1 45-46 01	• Bracket		
	6	1	0396G	S1 45-05 21	• Holder of activation lever		
	7	1	0396G	S1 48-04 21	• Mounting base for rocket housing		
	8	2	0396G	E1 45-01 21	• Lanyard hinge		
	9	1	0396G	E1 45-23 01	• Reinforcement		
	11	1	0396G	S1 48-05 21	• Bracket - upper		
	12	1	0396G	S1 48-06 21	• Bracket - lower		
	15	4	0396G	000798	• Screw M8x45		
-	17	2	0396G	001296	• Screw M5x12		
	18	10	0396G	002067 (ISO 4017)	• Screw M6x25		
	21	3	0396G	033860 (DIN 980 V)	• Nut M6		
	22	2	0396G	033855 (DIN 980 V)	• Nut M5		
	23	6	0396G	047611	• Anchor nut M6		
	26	4	0396G	033870 (ISO 7042)	• Nut M8		
	27	1	0396G	047612	• Anchor nut M6		
	28	2	0396G	038193 (ISO 7089)	• Washer 5.3		

Applicability: All

SPORTSTAR-A-25-60-04-01A-941A-D

Fig.	Item	Units per assembly / Units of issue	NCAGE	Part Number NATO Stock Number	Nomenclature	*Usable on code assy •MV/Effect	I C Y
1A							
	29	10	0396G	038206 (ISO 7089)	• Washer 6.4		
	30	4	0396G	038208 (ISO 7089)	• Washer 8.4		
	31	1	0396G	056334	• Hose		
	32	0	0396G	084241	• Teflon pad		
	35	1	0396G	769024	• Parachute container		
-	36	22	0396G	060333	• Cable tie		
	38	1	0396G	769031	• Lanyard set		
	40	1	0396G	S1 55-64 01	• Lanyard cover		
-	45	1	0396G	060461	• Self-adhesive clamp		
	50	1	0396G	E1 00-54 21	• Cable		
	60	2	0396G	058760	• Nicopress clamp		
	80	AR	0396G	088091	• Shrink tube RNF-3000		
	90	AR	0396G	088088	• Shrink tube RNF-3000		
-	701	7	0396G	047560 (AVDEL 1691-0410)	• Rivet 3.2x7.9		
-	702	4	0396G	043520 (CSN 02 2302.5)	• Rivet 3.5x7		
-	704	6	0396G	043549	• Rivet 3.5x9		
-	705	14	0396G	047569	• Rivet 4x9.5		
-	707	25	0396G	047572	• Rivet 4x12.5		
-	717	7	0396G	047574 (AVDEL BN01-0512)	• Rivet 4x9.5		
-	727	16	0396G	047589	• Rivet 4x7.5		

This page has been intentionally left blank.

Hand fire extinguisher

Illustrated parts data

Table of Contents

	Page
Hand fire extinguisher - Illustrated parts data.....	1

Index of Tables

	Page
1 References.....	1

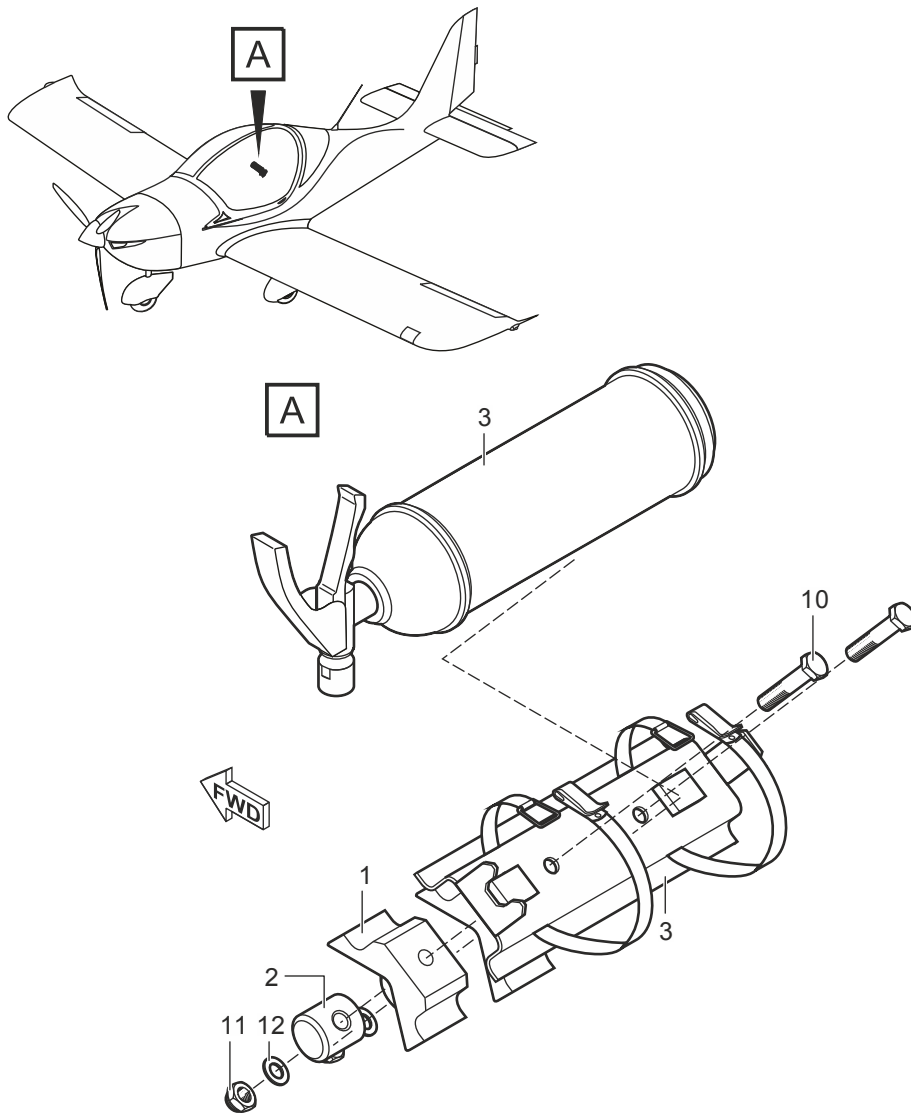
Index of Figures

	Page
1 Portable fire extinguisher.....	2

References

Table 1 References

Data module/Technical publication	Title
None	



ICN-SPORTSTAR-A-26-20-00-E-0396G-00043-A-001-01.CGM

Figure 1: Portable fire extinguisher

Fig.	Item	Units per assembly / Units of issue	NCAGE	Part Number NATO Stock Number	Nomenclature	*Usable on code assy •MV/Effect	I C Y
1A							
-	0	1	0396G	25-60-00	Emergency equipment		
	1	2	0396G	S8 01-18 21	• Pad		
	2	2	0396G	S8 01-19 21	• Insert		

Applicability: All

SPORTSTAR-A-26-20-01-01A-941A-D

Fig.	Item	Units per assembly / Units of issue	NCAGE	Part Number NATO Stock Number	Nomenclature	*Usable on code assy •MV/Effect	I C Y
1A							
	3	1	0396G	083917	• Fire extinguisher - portable ESTO T-1H		
	10	2	0396G	000606 (DIN 931)	• Screw M6x35		
	11	2	0396G	033860 (DIN 980 V)	• Nut M6		
	12	2	0396G	038206 (ISO 7089)	• Washer 6.4		

This page has been intentionally left blank.

Hand fire extinguisher

Illustrated parts data

Table of Contents	Page
Hand fire extinguisher - Illustrated parts data.....	1

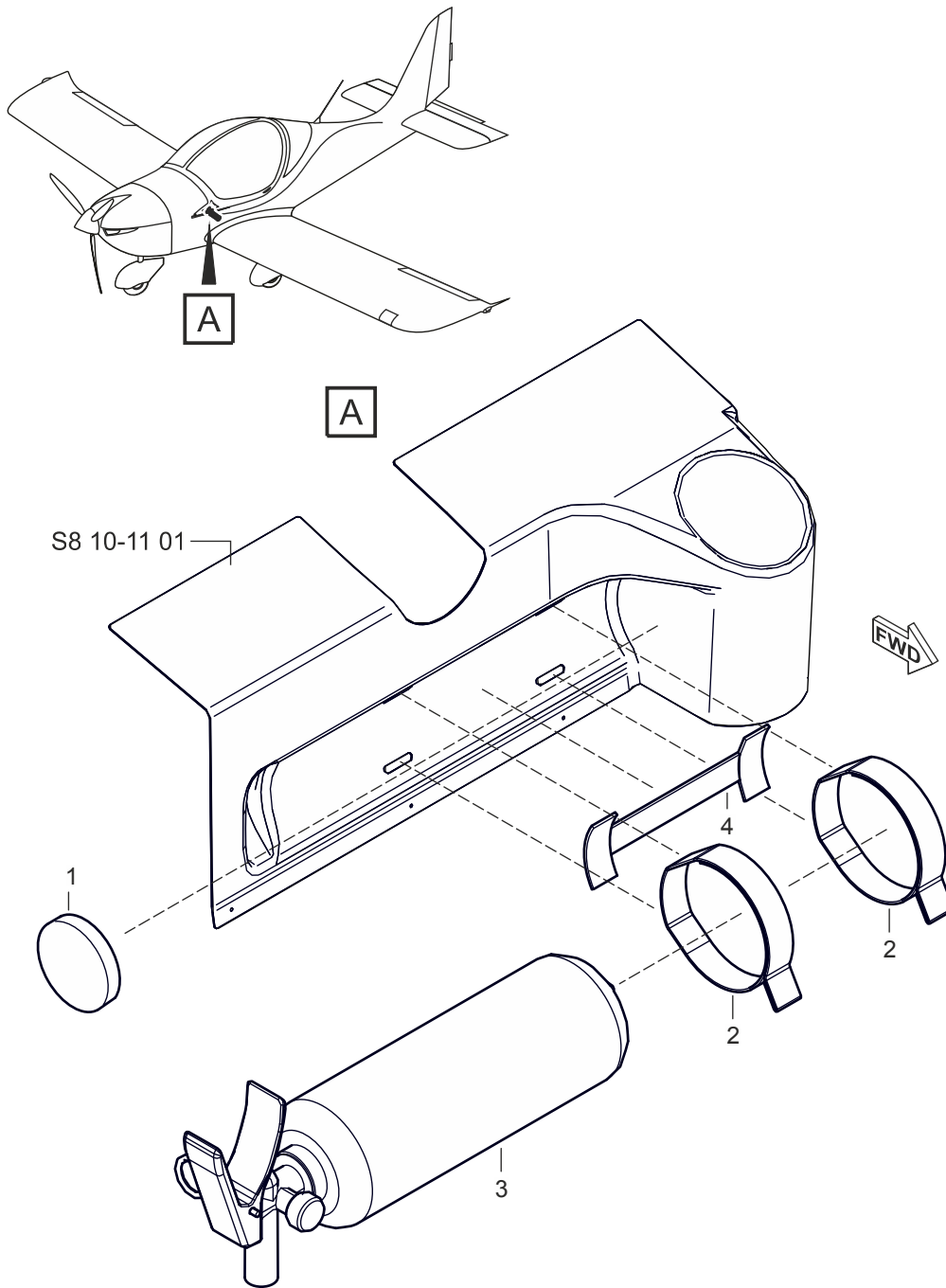
Index of Tables	Page
1 References.....	1

Index of Figures	Page
1 Portable fire extinguisher - alternative locations.....	2

References

Table 1 References

Data module/Technical publication	Title
None	



ICN-SPORTSTAR-A-26-20-00-E-0396G-00173-A-000-01.CGM

Figure 1: Portable fire extinguisher - alternative locations

Fig.	Item	Units per assembly / Units of issue	NCAGE	Part Number NATO Stock Number	Nomenclature	*Usable on code assy •MV/Effect	I C Y
1B							
-	0	1	0396G	S8 00-24 01	Portable fire extinguisher - alternative locations		
	1	1	0396G	S8 00-23 21	• Fire extinguisher pad		
	2	2	0396G	S8 00-23 01	• Fire extinguisher strap		
	3	1	0396G	083917	• Fire extinguisher - portable ESTO T-1H		
	4	AR	0396G	085902	• Rubber - oil resistant		

This page has been intentionally left blank.

Roll control

Illustrated parts data

Table of Contents

	Page
Roll control - Illustrated parts data.....	1

Index of Tables

	Page
1 References.....	1

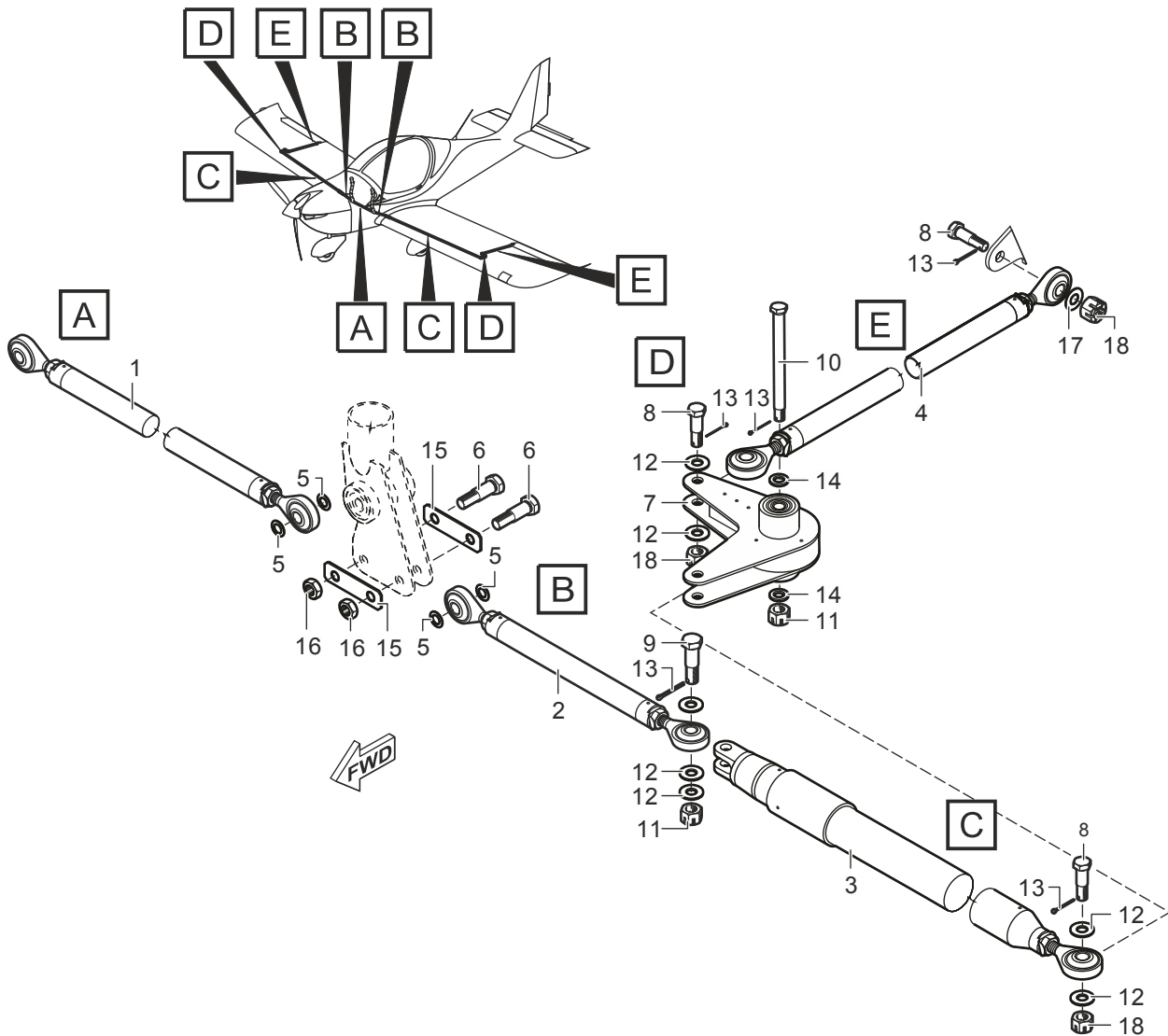
Index of Figures

	Page
1 Roll control.....	2

References

Table 1 References

Data module/Technical publication	Title
None	



ICN-SPORTSTAR-A-27-10-00-E-0396G-00106-A-001-01.CGM
 Figure 1: Roll control

Fig.	Item	Units per assembly / Units of issue	NCAGE	Part Number NATO Stock Number	Nomenclature	*Usable on code assy •MV/Effect	I C Y
1A							
-	0	1	0396G	27-10-00	Roll control		
	1	1	0396G	S4 01-04 01	• Pull-rod		
	2	2	0396G	S4 01-13 01	• Pull-rod		
	3	2	0396G	S4 01-14 01	• Pull-rod		

Applicability: All

SPORTSTAR-A-27-10-00-01A-941A-D

Fig.	Item	Units per assembly / Units of issue	NCAGE	Part Number NATO Stock Number	Nomenclature	*Usable on code assy •MV/Effect	I C Y
1A							
	4	2	0396G	S4 01-15 01	• Pull-rod		
	5	8	0396G	S4 01-30 21	• Spacer ring		
	6	4	0396G	S4 01-29 21	• Screw - modified		
	7	2	0396G	S4 01-11 01	• Bellcrank		
	8	9	0396G	016600	• Screw 6x23		
	9	2	0396G	016700	• Screw 6x27		
	10	2	0396G	017350	• Screw M6x55		
	11	4	0396G	032300 (CSN 02 1413.44)	• Nut M6		
	12	14	0396G	038266 (DIN 988)	• Washer 6x1		
	13	20	0396G	040008 (ISO 1234)	• Cotter pin 1.6x16		
	14	2	0396G	038206 (ISO 7089)	• Washer 6.4		
	15	4	0396G	S4 01-28 21	• Pad		
	16	4	0396G	035404	• Nut M6		
	17	2	0396G	038265 (DIN 988)	• Washer 6x0.5		
	18	6	0396G	032075 (DIN 935)	• Nut M6		

This page has been intentionally left blank.

Control stick

Illustrated parts data

Table of Contents	Page
Control stick - Illustrated parts data.....	1

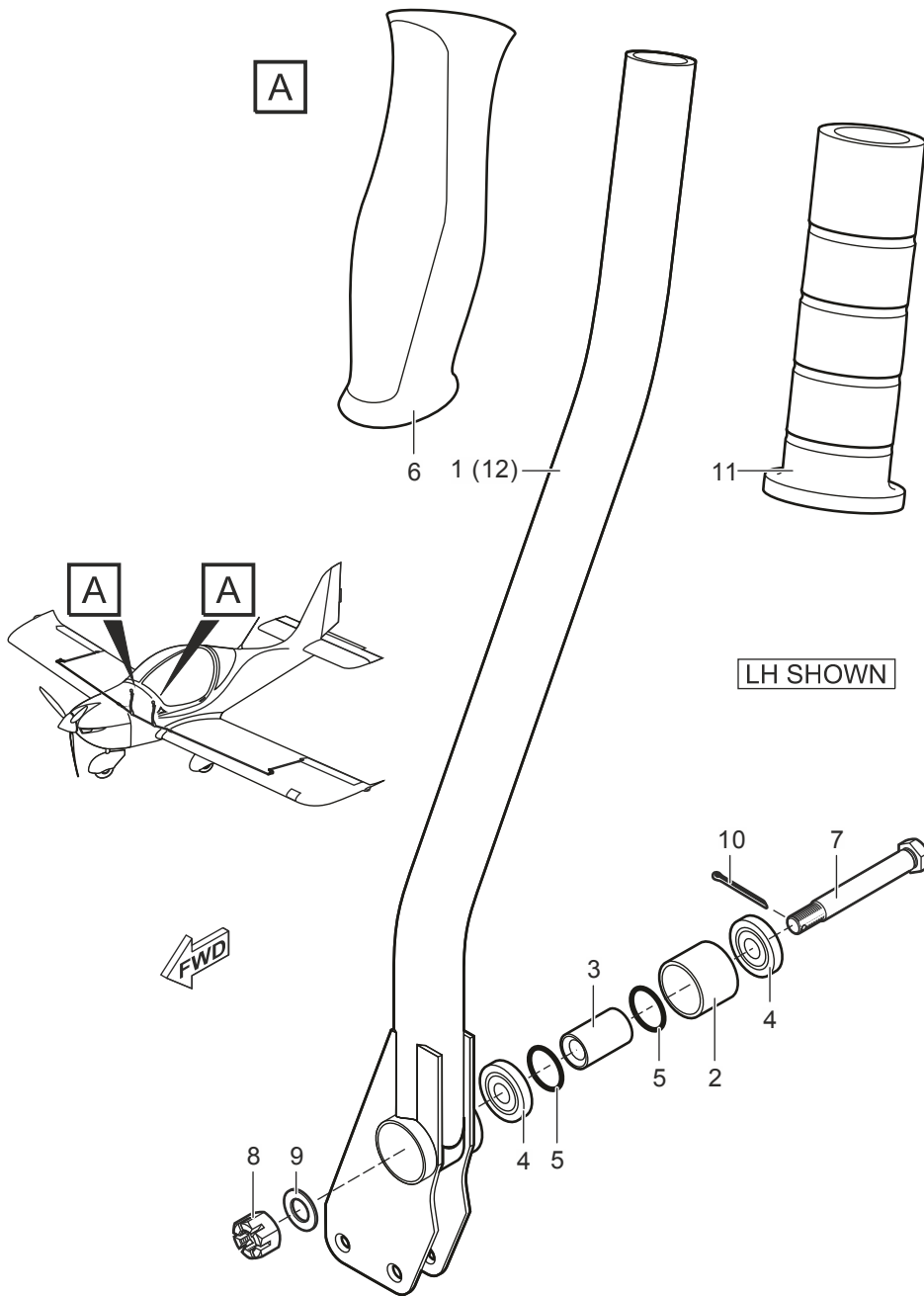
Index of Tables	Page
1 References.....	1

Index of Figures	Page
1 Control stick.....	2

References

Table 1 References

Data module/Technical publication	Title
None	



ICN-SPORTSTAR-A-27-10-00-E-0396G-00107-A-001-01.CGM
 Figure 1: Control stick

Fig.	Item	Units per assembly / Units of issue	NCAGE	Part Number NATO Stock Number	Nomenclature	*Usable on code assy •MV/Effect	I C Y
------	------	-------------------------------------	-------	-------------------------------	--------------	---------------------------------	-------------

1A

- 0 1 0396G SG4 01-03 02 Control stick

Applicability: All

SPORTSTAR-A-27-10-01-01A-941A-D

Fig.	Item	Units per assembly / Units of issue	NCAGE	Part Number NATO Stock Number	Nomenclature	*Usable on code assy •MV/Effect	I C Y
1A							
	1	2	0396G	SG4 03-08 01	• Control stick- welded		
	2	2	0396G	SG4 03-02 21	• Insert		
	3	2	0396G	S4 01-31 21	• Spacer		
	4	2	0396G	048648	• Bearing		
	5	2	0396G	059299	• Ring		
	6	2	0396G	S4 04-0421	• Handle		
	7	2	0396G	017250	• Screw 6x49		
	8	2	0396G	032300 (CSN 02 1413.44)	• Nut M6		
	9	2	0396G	038266 (DIN 988)	• Washer 6x1		
	10	2	0396G	040008 (ISO 1234)	• Cotter pin 1.6x16		
	11	2	0396G	078355	• Handle		
	12	2	0396G	SG4 03-08 02	• Control stick- welded		

This page has been intentionally left blank.

Pull-rod in the cockpit

Illustrated parts data

Table of Contents	Page
Pull-rod in the cockpit - Illustrated parts data.....	1

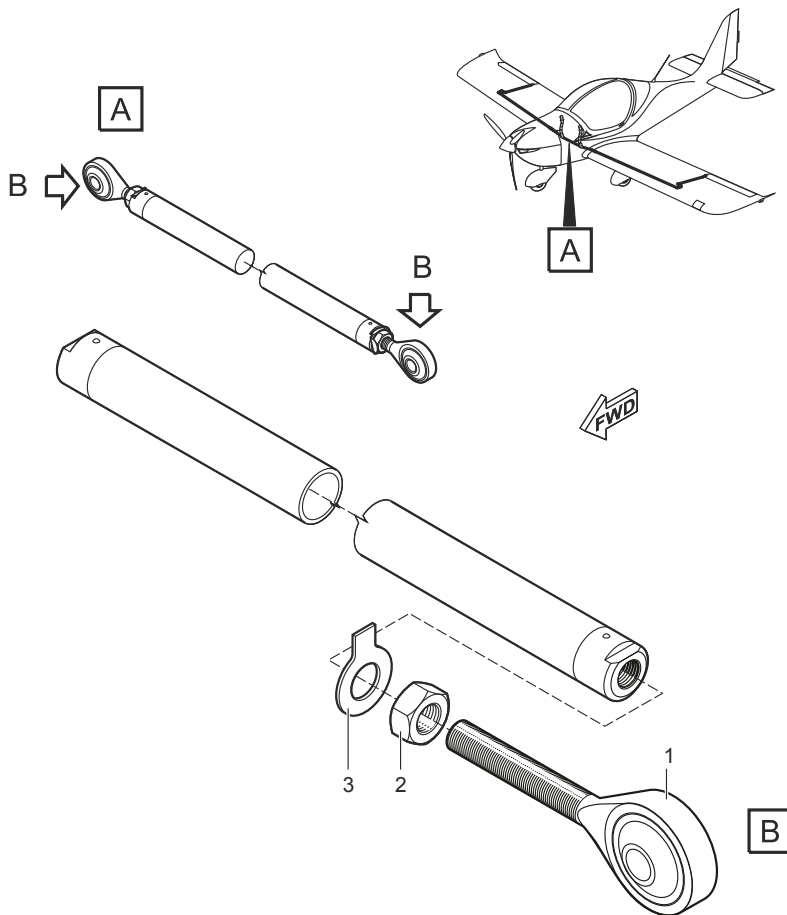
Index of Tables	Page
1 References.....	1

Index of Figures	Page
1 Pull-rod in the cockpit.....	2

References

Table 1 References

Data module/Technical publication	Title
None	



ICN-SPORTSTAR-A-27-10-00-E-0396G-00108-A-001-01.CGM

Figure 1: Pull-rod in the cockpit

Fig.	Item	Units per assembly / Units of issue	NCAGE	Part Number NATO Stock Number	Nomenclature	*Usable on code assy •MV/Effect	I C Y
1A							
-	0	1	0396G	S4 01-04 01	Pull-rod		
	1	2	0396G	048155	• Adjustable rod eye with swivel		
	2	2	0396G	031901 (ISO 4035)	• Nut M6		
	3	2	0396G	037651 (DIN 93)	• Washer 6.4		

Connecting pull-rod

Illustrated parts data

Table of Contents	Page
Connecting pull-rod - Illustrated parts data.....	1

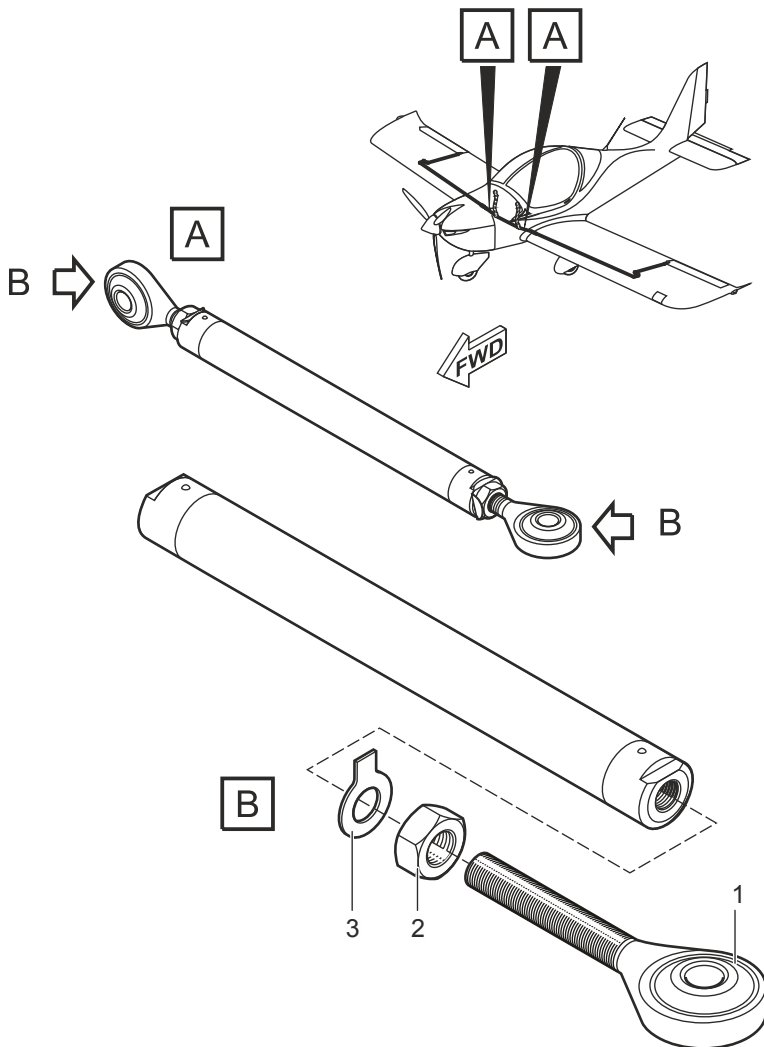
Index of Tables	Page
1 References.....	1

Index of Figures	Page
1 Connecting pull-rod.....	2

References

Table 1 References

Data module/Technical publication	Title
None	



ICN-SPORTSTAR-A-27-10-00-E-0396G-00109-A-001-01.CGM

Figure 1: Connecting pull-rod

Fig.	Item	Units per assembly / Units of issue	NCAGE	Part Number NATO Stock Number	Nomenclature	*Usable on code assy •MV/Effect	I C Y
1A	-	0	1	0396G	S4 01-13 01	Pull-rod	
	1	2	0396G	048155	• Adjustable rod eye with swivel		
	2	2	0396G	031901 (ISO 4035)	• Nut M6		
	3	2	0396G	038126 (DIN 463)	• Washer 6.4		

Applicability: All

SPORTSTAR-A-27-10-03-01A-941A-D

End of data module

OPEN

2019-01-04 Page 2

Pull-rod inside wing

Illustrated parts data

Table of Contents	Page
Pull-rod inside wing - Illustrated parts data.....	1

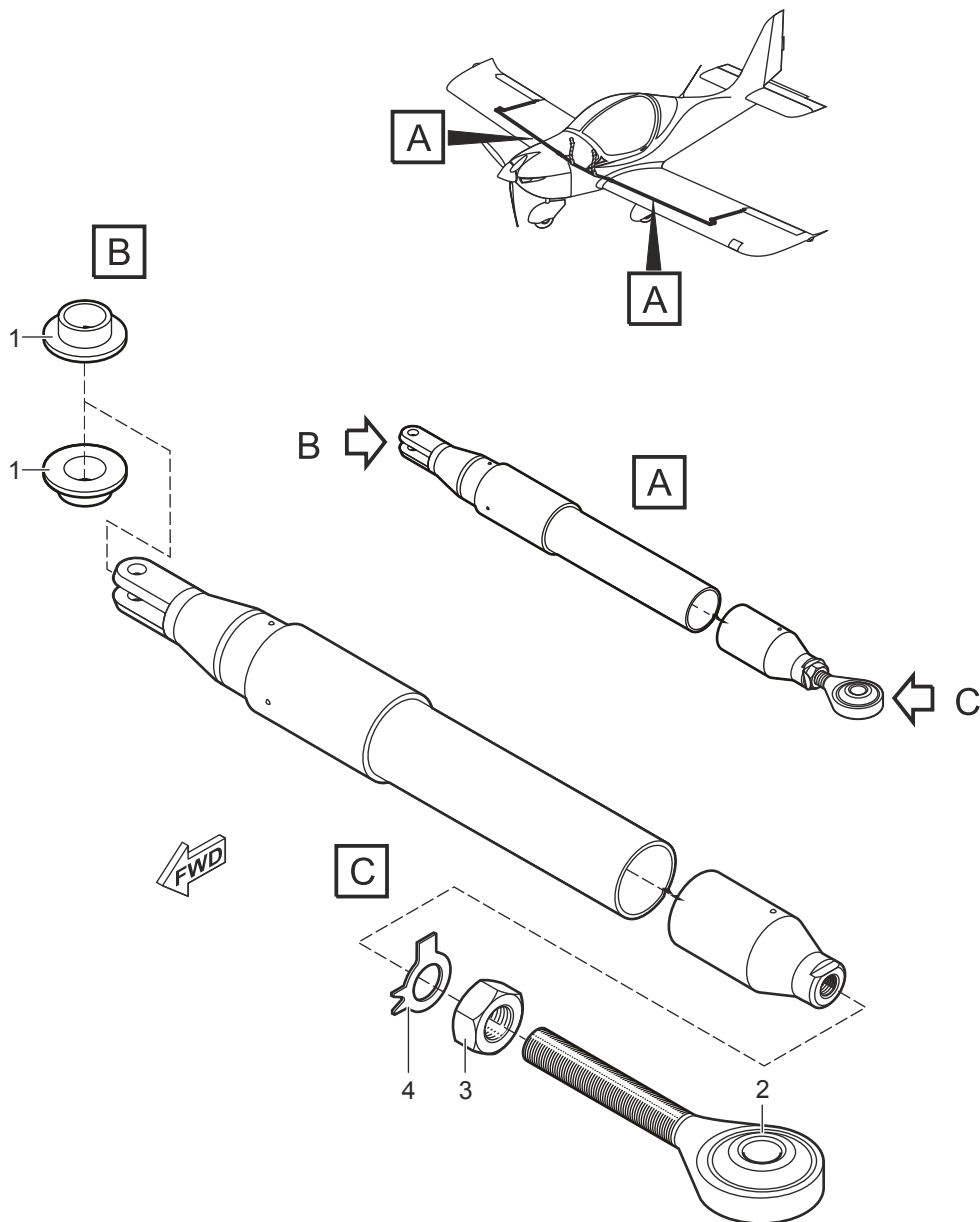
Index of Tables	Page
1 References.....	1

Index of Figures	Page
1 Pull-rod in the wing.....	2

References

Table 1 References

Data module/Technical publication	Title
None	



ICN-SPORTSTAR-A-27-10-00-E-0396G-00110-A-001-01.CGM

Figure 1: Pull-rod in the wing

Fig.	Item	Units per assembly / Units of issue	NCAGE	Part Number NATO Stock Number	Nomenclature	*Usable on code assy •MV/Effect	I C Y
1A							
-	0	1	0396G	S4 01-13 01	Pull-rod		
	1	2	0396G	E4 01-04 21	• Bushing		

Applicability: All

SPORTSTAR-A-27-10-04-01A-941A-D

Fig.	Item	Units per assembly / Units of issue	NCAGE	Part Number NATO Stock Number	Nomenclature	*Usable on code assy •MV/Effect	I C Y
1A							
	2	1	0396G	048155	• Adjustable rod eye with swivel		
	3	2	0396G	031901 (ISO 4035)	• Nut M6		
	4	1	0396G	038126 (DIN 463)	• Washer 6.4		
-	5	AR	0396G	096215	• Adhesive Loctite 648		
-	6	AR	D8908	096270	• Activator Loctite 7471		

This page has been intentionally left blank.

Bellcrank

Illustrated parts data

Table of Contents

	Page
Bellcrank - Illustrated parts data.....	1

Index of Tables

	Page
1 References.....	1

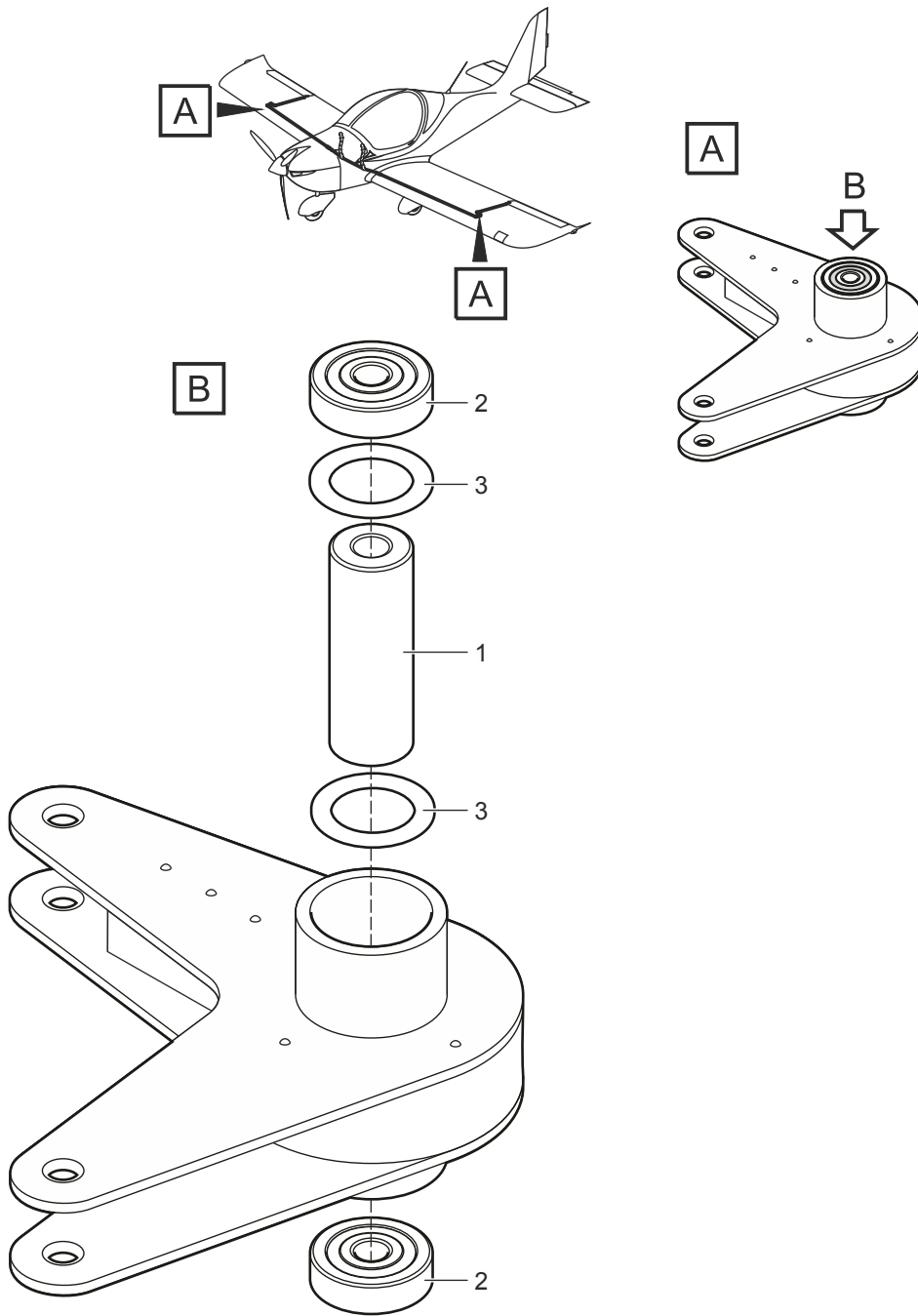
Index of Figures

	Page
1 Bellcrank.....	2

References

Table 1 References

Data module/Technical publication	Title
None	



ICN-SPORTSTAR-A-27-10-00-E-0396G-00111-A-001-01.CGM
Figure 1: Bellcrank

Fig.	Item	Units per assembly / Units of issue	NCAGE	Part Number NATO Stock Number	Nomenclature	*Usable on code assy •MV/Effect	I C Y
1A							
-	0	1	0396G	S4 01-11 01	Bellcrank		
	1	1	0396G	E4 01-98 21	• Spacer		
	2	2	0396G	048648	• Bearing		
	3	2	0396G	059291	• Ring		

This page has been intentionally left blank.

Aileron control pull-rod

Illustrated parts data

Table of Contents	Page
Aileron control pull-rod - Illustrated parts data.....	1

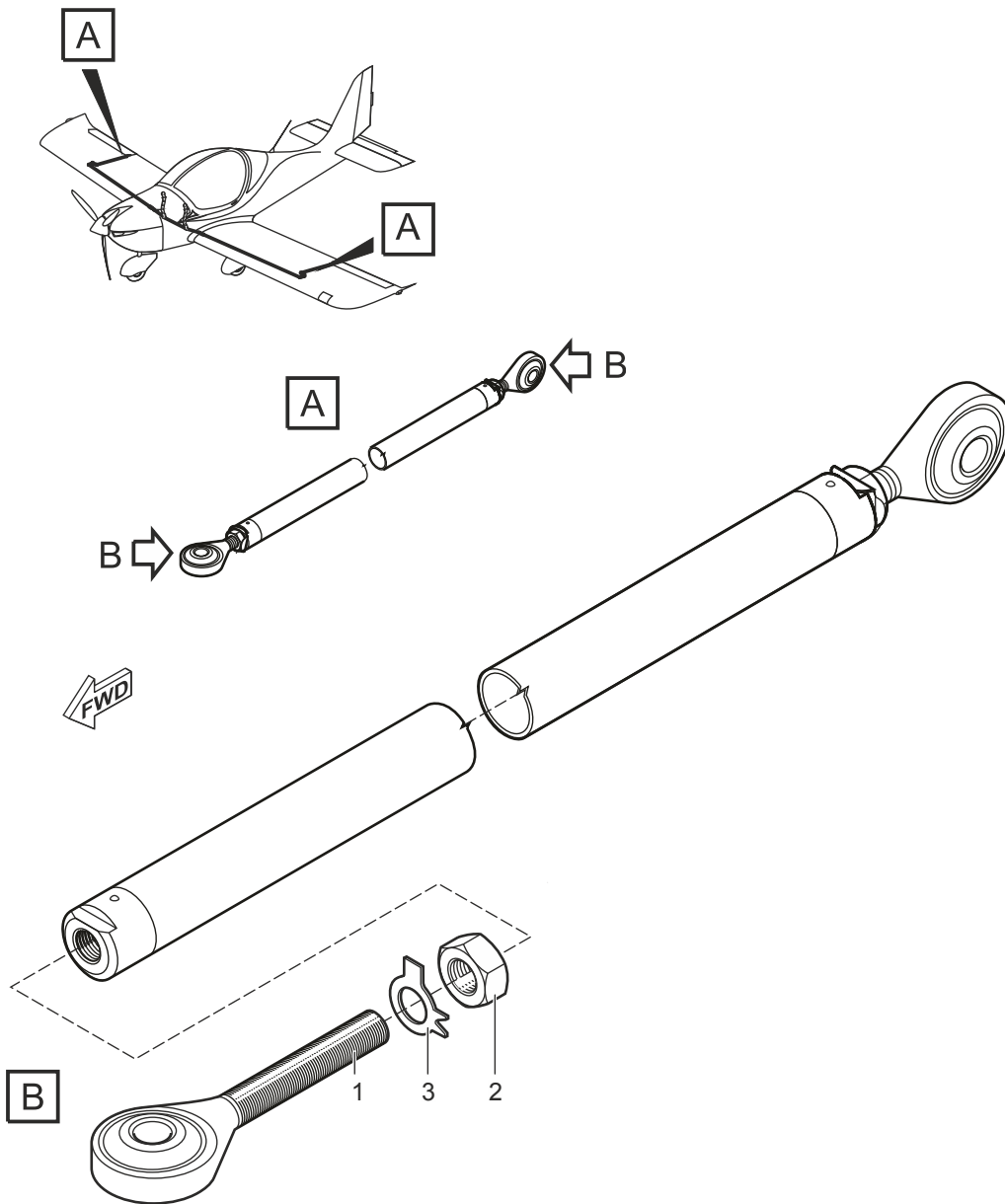
Index of Tables	Page
1 References.....	1

Index of Figures	Page
1 Aileron control pull-rod.....	2

References

Table 1 References

Data module/Technical publication	Title
None	



ICN-SPORTSTAR-A-27-10-00-E-0396G-00112-A-001-01.CGM

Figure 1: Aileron control pull-rod

Fig.	Item	Units per assembly / Units of issue	NCAGE	Part Number NATO Stock Number	Nomenclature	*Usable on code assy •MV/Effect	I C Y
1A							
-	0	1	0396G	S4 01-15 01	Pull-rod		
	1	2	0396G	048155	• Adjustable rod eye with swivel		

Applicability: All

SPORTSTAR-A-27-10-06-01A-941A-D

Fig.	Item	Units per assembly / Units of issue	NCAGE	Part Number NATO Stock Number	Nomenclature	*Usable on code assy •MV/Effect	I C Y
1A							
	2	2	0396G	031901 (ISO 4035)	• Nut M6		
	3	2	0396G	038126 (DIN 463)	• Washer 6.4		

This page has been intentionally left blank.

Foot control countershaft

Illustrated parts data

Table of Contents	Page
Foot control countershaft - Illustrated parts data.....	1

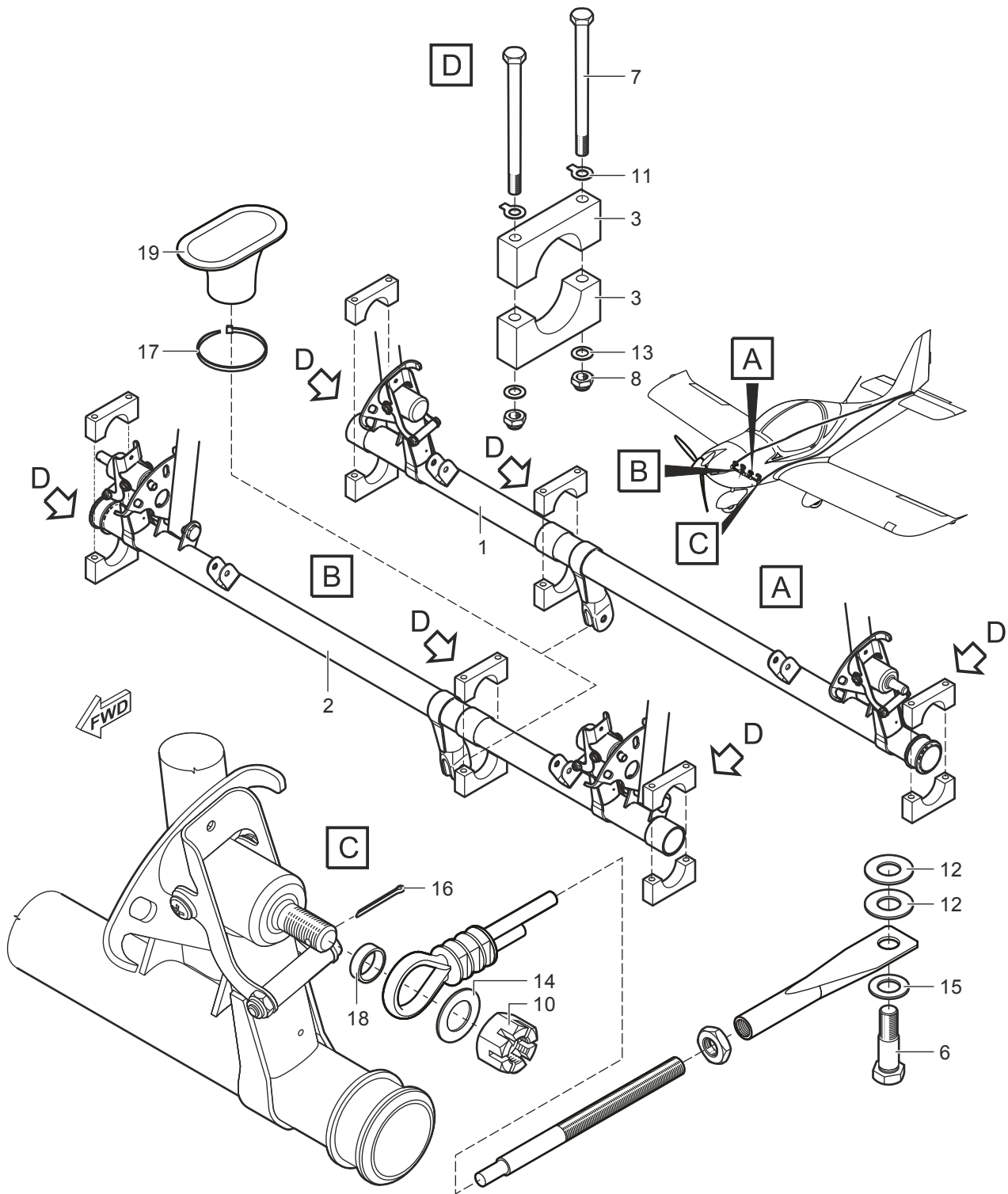
Index of Tables	Page
1 References.....	1

Index of Figures	Page
1 Foot control countershaft - original version.....	2

References

Table 1 References

Data module/Technical publication	Title
None	



ICN-SPORTSTAR-A-27-20-00-E-0396G-00113-A-001-01.CGM

Figure 1: Foot control countershaft - original version

Fig.	Item	Units per assembly / Units of issue	NCAGE	Part Number NATO Stock Number	Nomenclature	*Usable on code assy •MV/Effect	I C Y
1A							
-	0	1	0396G	27-20-01A	Foot control countershaft - original version		
	1	1	0396G	S4 70-00 01	• Foot control countershaft - left		
	2	1	0396G	S4 70-00 02	• Foot control countershaft - right		
	3	6	0396G	G4 02-03 01	• Bearing		
	6	3	0396G	016600	• Screw 6x23		
	7	12	0396G	000441 (ISO 4017)	• Screw M5x50		
	8	8	0396G	033855 (DIN 980 V)	• Nut M5		
	10	2	0396G	032350 (CSN 02 1413.44)	• Nut M8		
	11	12	0396G	037652 (DIN 93)	• Washer 5.3		
	12	28	0396G	038206 (ISO 7089)	• Washer 6.4		
	13	8	0396G	038193 (ISO 7089)	• Washer 5.3		
	14	8	0396G	038208 (ISO 7089)	• Washer 8.4		
	15	4	0396G	038126 (DIN 463)	• Washer 6.4		
	16	2	0396G	039310 (ISO 1234)	• Cotter pin 2x20		
-	17	10	0396G	060332	• Cable tie		
	18	2	0396G	E4 01-65 21	• Bushing		
	19	2	0396G	S4 92-10 01	• Pedal sleeve		
-	20	AR	0396G	096215	• Adhesive Loctite 648		

This page has been intentionally left blank.

Foot control countershaft

Illustrated parts data

Table of Contents

	Page
Foot control countershaft - Illustrated parts data.....	1

Index of Tables

	Page
1 References.....	1

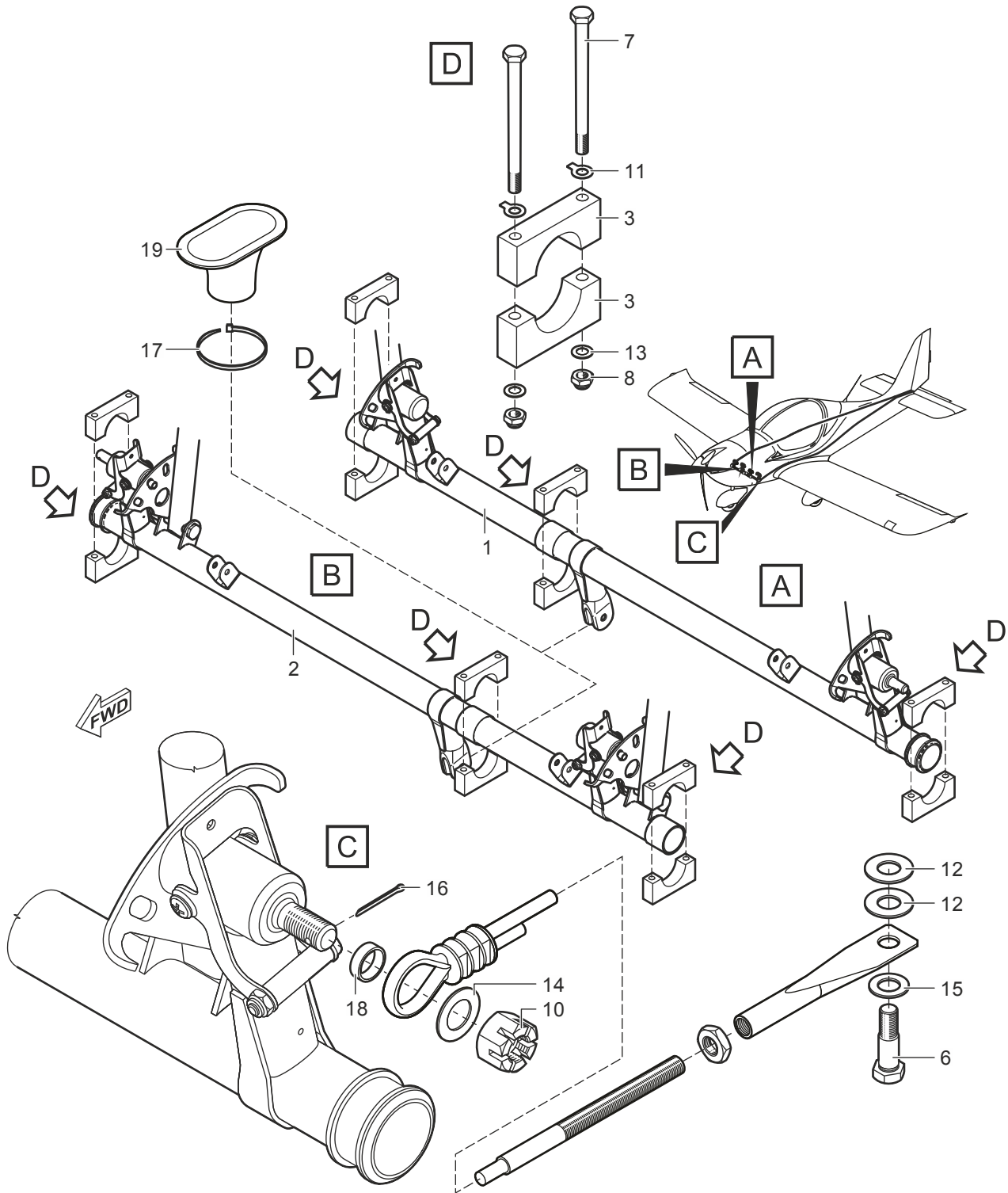
Index of Figures

	Page
1 Foot control countershaft - new version.....	2

References

Table 1 References

Data module/Technical publication	Title
None	



ICN-SPORTSTAR-A-27-20-00-E-0396G-00114-A-001-01.CGM

Figure 1: Foot control countershaft - new version

Fig.	Item	Units per assembly / Units of issue	NCAGE	Part Number NATO Stock Number	Nomenclature	*Usable on code assy •MV/Effect	I C Y
1B							
-	0	1	0396G	27-20-01B	Foot control countershaft - original version		
	1	1	0396G	S4 72-00 01	• Foot control countershaft - left		
	2	1	0396G	S4 72-00 02	• Foot control countershaft - right		
	3	6	0396G	G4 02-03 01	• Bearing		
	6	3	0396G	016600	• Screw 6x23		
	7	12	0396G	000441 (ISO 4017)	• Screw M5x50		
	8	8	0396G	033855 (DIN 980 V)	• Nut M5		
	10	2	0396G	032350 (CSN 02 1413.44)	• Nut M8		
	11	12	0396G	037652 (DIN 93)	• Washer 5.3		
	12	28	0396G	038206 (ISO 7089)	• Washer 6.4		
	13	8	0396G	038193 (ISO 7089)	• Washer 5.3		
	14	8	0396G	038208 (ISO 7089)	• Washer 8.4		
	15	4	0396G	038126 (DIN 463)	• Washer 6.4		
	16	2	0396G	039310 (ISO 1234)	• Cotter pin 2x20		
-	17	10	0396G	060332	• Cable tie		
	18	2	0396G	E4 01-65 21	• Bushing		
	19	2	0396G	S4 92-10 01	• Pedal sleeve		
-	20	AR	0396G	096215	• Adhesive Loctite 648		

This page has been intentionally left blank.

Foot control pedals

Illustrated parts data

Table of Contents

	Page
Foot control pedals - Illustrated parts data.....	1

Index of Tables

	Page
1 References.....	1

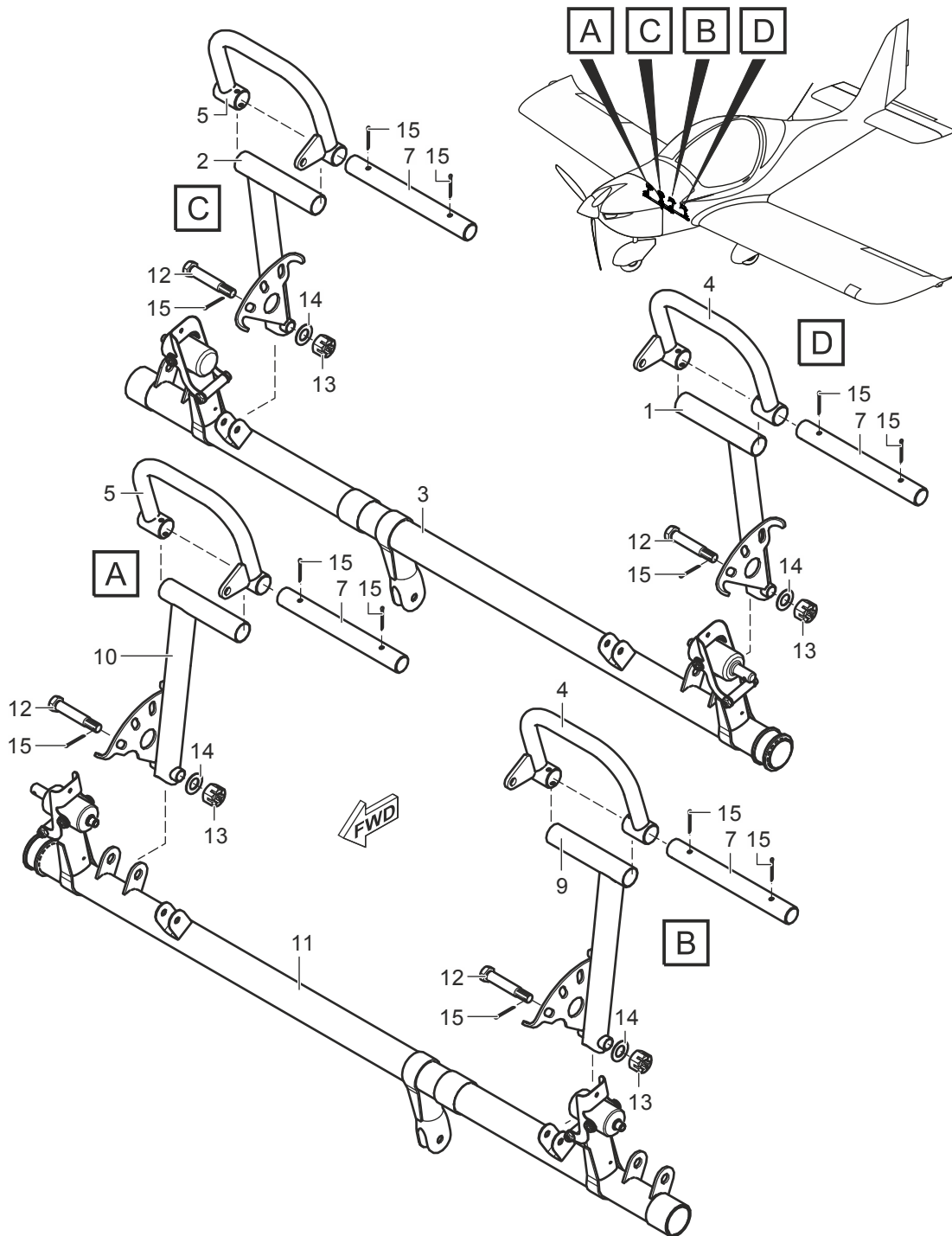
Index of Figures

	Page
1 Foot control pedals - original version.....	2

References

Table 1 References

Data module/Technical publication	Title
None	



ICN-SPORTSTAR-A-27-20-00-E-0396G-00115-A-001-01.CGM

Figure 1: Foot control pedals - original version

Fig.	Item	Units per assembly / Units of issue	NCAGE	Part Number NATO Stock Number	Nomenclature	*Usable on code assy •MV/Effect	I C Y
1A							
-	0	1	0396G	27-20-02A	Foot control pedals - original version		
	1	1	0396G	S4 70-03 01	• Pedal		
	2	1	0396G	S4 70-04 01	• Pedal		
	3	1	0396G	S4 70-02 01	• Countershaft - left		
	4	2	0396G	E4 40-14 01	• Brake pedal - left		
	5	2	0396G	E4 40-14 02	• Brake pedal - right		
	7	4	0396G	E4 40-17 21	• Tube		
	9	1	0396G	S4 70-05 01	• Pedal		
	10	1	0396G	S4 70-06 01	• Pedal		
	11	1	0396G	S4 70-02 02	• Countershaft - right		
	12	4	0396G	018200	• Screw 8x41		
	13	4	0396G	032253 (ISO 7038)	• Nut M8		
	14	4	0396G	038208 (ISO 7089)	• Washer 8.4		
	15	12	0396G	039310 (ISO 1234)	• Cotter pin 2x20		

This page has been intentionally left blank.

Foot control pedals***Illustrated parts data*****Table of Contents**

Page

Foot control pedals - Illustrated parts data.....	1
---	---

Index of Tables

Page

1	References.....	1
---	-----------------	---

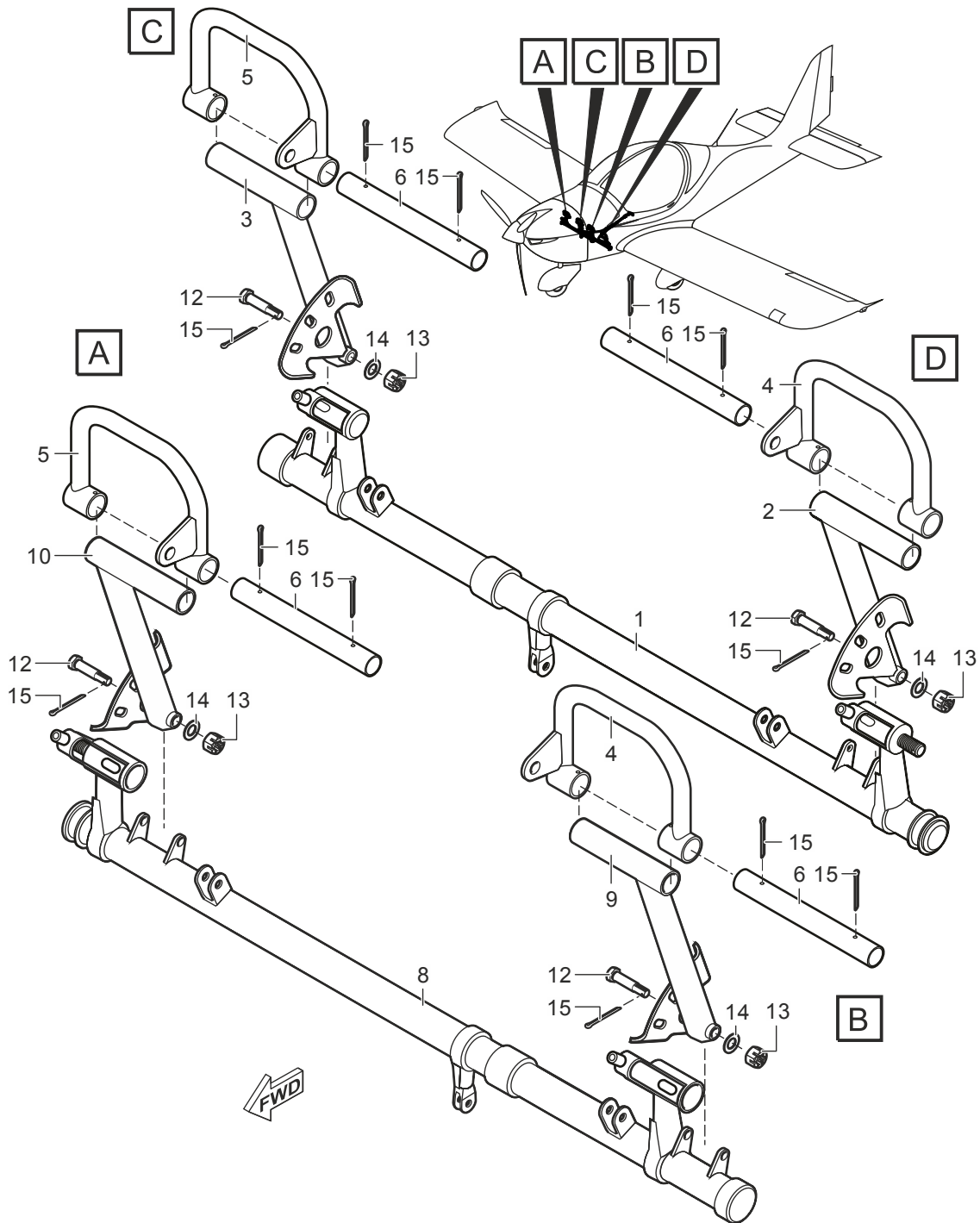
Index of Figures

Page

1	Foot control pedals - new version.....	2
---	--	---

References*Table 1 References*

Data module/Technical publication	Title
None	



ICN-SPORTSTAR-A-27-20-00-E-0396G-00116-A-001-01.CGM

Figure 1: Foot control pedals - new version

Fig.	Item	Units per assembly / Units of issue	NCAGE	Part Number NATO Stock Number	Nomenclature	*Usable on code assy •MV/Effect	I C Y
1B							
-	0	1	0396G	27-20-02B	Foot control pedals - new version		
	1	1	0396G	S4 72-01 01	• Countershaft - left		
	2	1	0396G	S4 70-03 01	• Pedal		
	3	1	0396G	S4 70-04 01	• Pedal		
	4	2	0396G	E4 40-14 01	• Brake pedal - left		
	5	2	0396G	E4 40-14 02	• Brake pedal - right		
	6	4	0396G	E4 40-17 21	• Tube		
	8	1	0396G	S4 70-02 02	• Countershaft - right		
	9	1	0396G	S4 70-05 01	• Pedal		
	10	1	0396G	S4 70-06 01	• Pedal		
	12	4	0396G	018250	• Screw 8x43		
	13	4	0396G	032253 (ISO 7038)	• Nut M8		
	14	4	0396G	038208 (ISO 7089)	• Washer 8.4		
	15	12	0396G	039310 (ISO 1234)	• Cotter pin 2x20		

This page has been intentionally left blank.

Control cable installation

Illustrated parts data

Table of Contents	Page
Control cable installation - Illustrated parts data.....	1

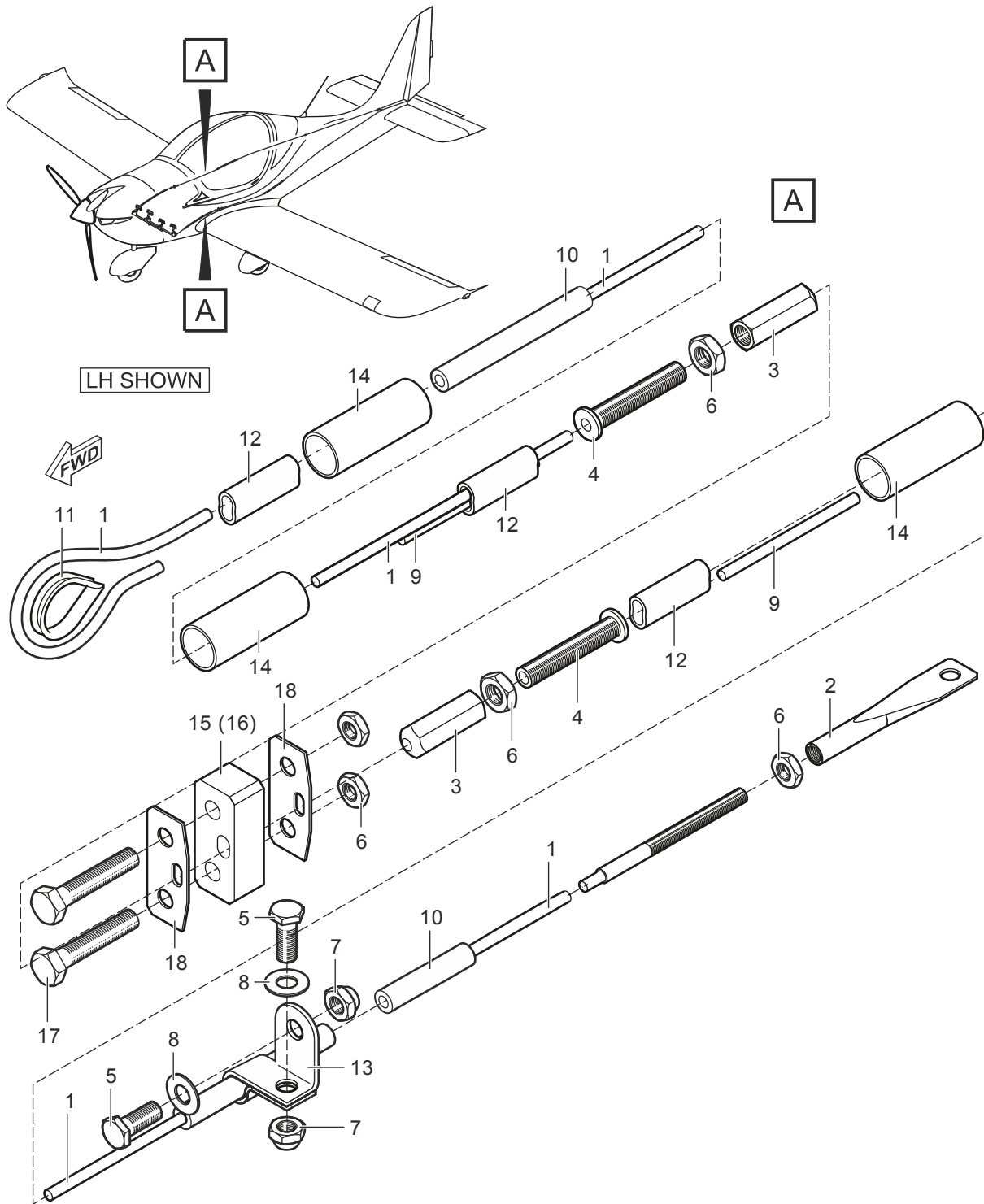
Index of Tables	Page
1 References.....	1

Index of Figures	Page
1 Control cable installation.....	2

References

Table 1 References

Data module/Technical publication	Title
None	



ICN-SPORTSTAR-A-27-20-00-E-0396G-00117-A-001-01.CGM
 Figure 1: Control cable installation

Fig.	Item	Units per assembly / Units of issue	NCAGE	Part Number NATO Stock Number	Nomenclature	*Usable on code assy •MV/Effect	I C Y
1A							
-	0	1	0396G	27-20-03	Control cable installation		
	1	2	0396G	E4 00-03 01	• Cable		
	2	2	0396G	E4 01-49 21	• End piece		
	3	4	0396G	S4 02-42 21	• Nut		
	4	4	0396G	S4 02-43 21	• Screw		
	5	4	0396G	001691 (ISO 4017)	• Screw M4x10		
	6	6	0396G	031901 (ISO 4035)	• Nut M6		
	7	16	0396G	033850 (DIN 980 V)	• Nut M4		
	8	29	0396G	038204 (ISO 7089)	• Washer 4.3		
	9	4	0396G	E4 01-50 21	• Cable		
	10	AR	0396G	083960	• Tube 8x1		
	11	2	0396G	058430	• Cable eye stiffener		
	12	6	0396G	058750	• Nicopress sleeve		
	13	2	0396G	079611	• Pipe clamp 1x8		
	14	AR	0396G	088088	• Shrink tube RNF-3000		
	15	1	0396G	SG1 03-12 21	• Block - left		
	16	1	0396G	SG1 03-12 22	• Block - right		
	17	4	0396G	000606 (DIN 931)	• Screw M6x35		
	18	4	0396G	SG1 03-13 21	• Pad		

This page has been intentionally left blank.

Foot pedal position setting

Illustrated parts data

Table of Contents	Page
Foot pedal position setting - Illustrated parts data.....	1

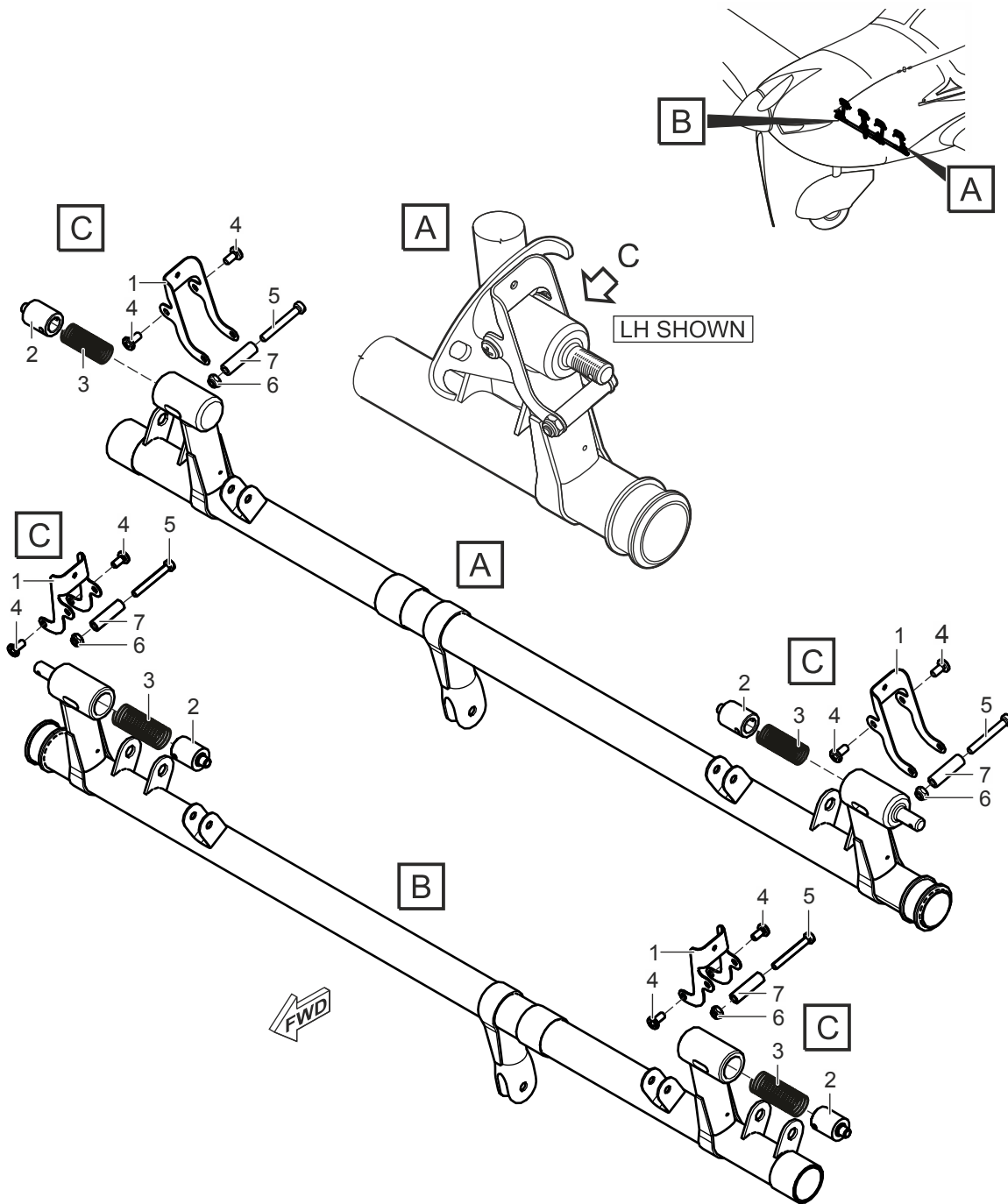
Index of Tables	Page
1 References.....	1

Index of Figures	Page
1 Foot pedal position setting - original version.....	2

References

Table 1 References

Data module/Technical publication	Title
None	



ICN-SPORTSTAR-A-27-20-00-E-0396G-00118-A-001-01.CGM

Figure 1: Foot pedal position setting - original version

Fig.	Item	Units per assembly / Units of issue	NCAGE	Part Number NATO Stock Number	Nomenclature	*Usable on code assy •MV/Effect	I C Y
1A							
-	0	1	0396G	27-20-04A	Foot pedal position setting - original version		
	1	4	0396G	S4 70-02 21	• Lever		
	2	4	0396G	G4 04-08 21	• Latch		
	3	2	0396G	E4 54-06 21	• Spring		
	4	8	0396G	004984	• Screw M4x8		
	5	4	0396G	000182 (ISO 4014)	• Screw M4x30		
	6	4	0396G	033850 (DIN 980 V)	• Nut M4		
	7	0	0396G	055629	• Hose		

This page has been intentionally left blank.

Foot pedal position setting

Illustrated parts data

Table of Contents

	Page
Foot pedal position setting - Illustrated parts data.....	1

Index of Tables

	Page
1 References.....	1

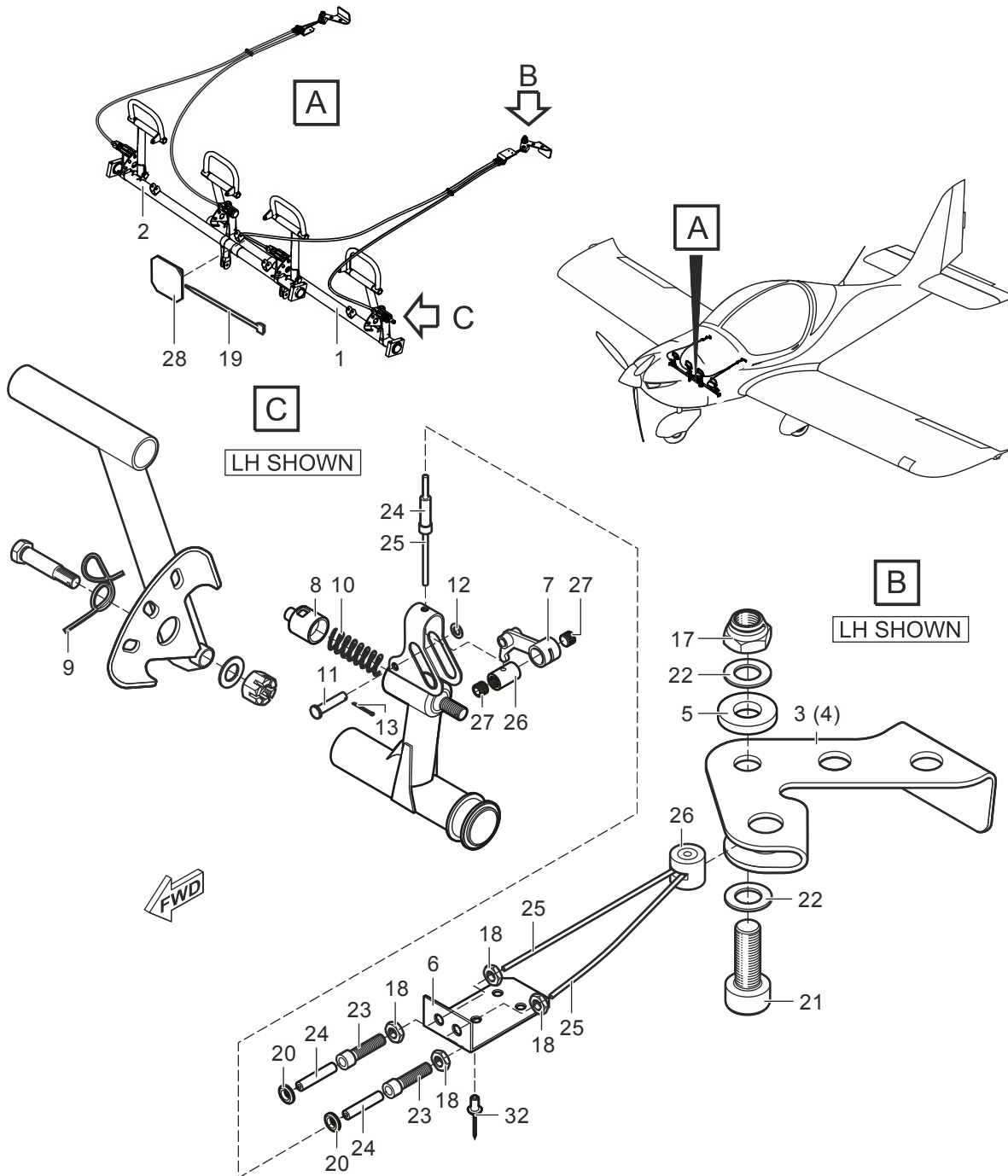
Index of Figures

	Page
1 Foot pedal position setting - new version.....	2

References

Table 1 References

Data module/Technical publication	Title
None	



ICN-SPORTSTAR-A-27-20-00-E-0396G-00119-A-001-01.CGM

Figure 1: Foot pedal position setting - new version

Fig.	Item	Units per assembly / Units of issue	NCAGE	Part Number NATO Stock Number	Nomenclature	*Usable on code assy •MV/Effect	I C Y
1B							
-	0	1	0396G	27-20-04B	Foot pedal position setting - new version		
	1	1	0396G	S4 72-00 01	• Foot control countershaft - left		
	2	1	0396G	S4 72-00 02	• Foot control countershaft - right		
	3	1	0396G	S4 72-10 21	• Control lever - left		
	4	1	0396G	S4 72-10 22	• Control lever - right		
	5	2	0396G	S4 72-11 21	• Washer		
	6	4	0396G	S4 72-12 21	• Bracket		
	7	4	0396G	S4 72-06 01	• Lever		
	8	4	0396G	S4 72-05 21	• Clutch		
	9	4	0396G	S4 72-09 21	• Spring		
	10	4	0396G	506342 (CSN 026020.0)	• Spring		
	11	4	0396G	026701	• Pin		
	12	4	0396G	038204 (ISO 7089)	• Washer 4.3		
	13	4	0396G	038800 (CSN 021781.04)	• Cotter pin 1x10		
	17	9	0396G	033860 (DIN 980 V)	• Nut M6		
	18	15	0396G	031901 (ISO 4035)	• Nut M6		
	19	10	0396G	060332	• Cable tie		
-	20	4	0396G	076809	• Bushing 5.5x1		
	21	2	0396G	011820 (ISO 4762)	• Screw M6x20		

Applicability: All

SPORTSTAR-A-27-20-04-01B-941A-D

Fig.	Item	Units per assembly / Units of issue	NCAGE	Part Number NATO Stock Number	Nomenclature	*Usable on code assy •MV/Effect	I C Y
1B							
	22	4	0396G	036747 (ISO 7093)	• Washer 6.4		
	23	4	0396G	058965	• Adjusting screw		
	24	AR	0396G	059275	• Bowden hose		
	25	0	0396G	057952 (EN 12385.4)	• Cable 1.25		
	26	6	0396G	058775	• Cable end piece		
	27	8	0396G	011901 (ISO 4026)	• Screw M6x6		
	28	2	0396G	060465	• Self-adhesive clamp		
-	29	AR	0396G	096215	• Adhesive Loctite 648		
-	30	AR	0396G	089112	• Tin tube		
-	32	AR	0396G	047565 (AVDEL 1691-0414)	• Rivet 3.2x11.1		

Pitch control

Illustrated parts data

Table of Contents

	Page
Pitch control - Illustrated parts data.....	1

Index of Tables

	Page
1 References.....	1

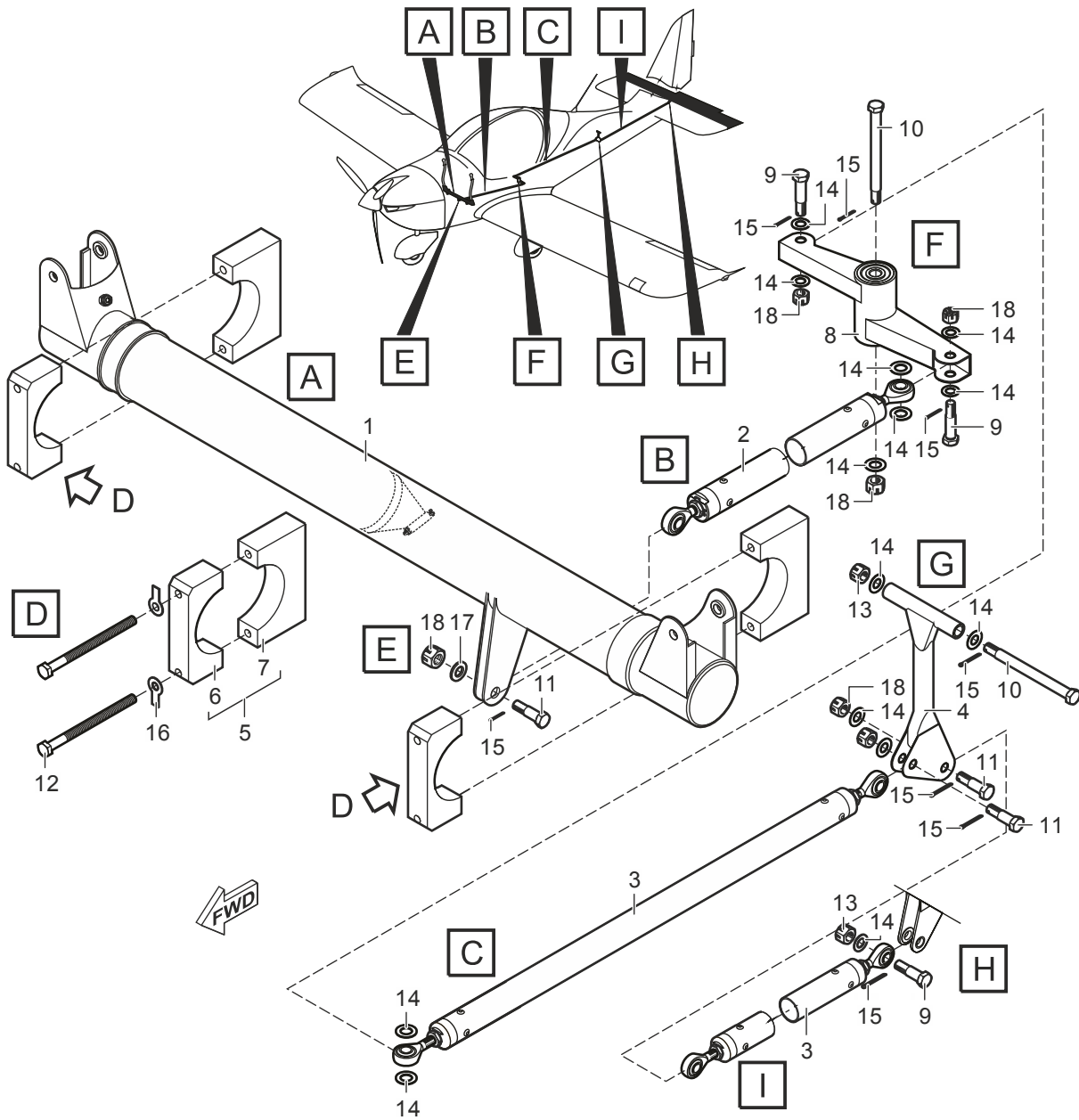
Index of Figures

	Page
1 Pitch control.....	2

References

Table 1 References

Data module/Technical publication	Title
None	



ICN-SPORTSTAR-A-27-30-00-E-0396G-00120-A-001-01.CGM
 Figure 1: Pitch control

Fig.	Item	Units per assembly / Units of issue	NCAGE	Part Number NATO Stock Number	Nomenclature	*Usable on code assy •MV/Effect	I C Y
1A	-	0	1	0396G	27-30-00	Pitch control	

Applicability: All

SPORTSTAR-A-27-30-00-01A-941A-D

Fig.	Item	Units per assembly / Units of issue	NCAGE	Part Number NATO Stock Number	Nomenclature	*Usable on code assy •MV/Effect	I C Y
1A							
	1	1	0396G	SG4 01-02 01	• Countershaft of manual control		
	2	1	0396G	S4 01-09 01	• Pull-rod in the cockpit		
	3	2	0396G	S4 01-12 01	• Pull-rod in the fuselage - front		
	4	1	0396G	SG4 01-19 01	• Rocker arm		
	5	2	0396G	SG4 01-25 01	• Bearing		
	6	2	0396G	SG4 25-02 21	• • Bearing cap		
	7	2	0396G	SG4 25-01 21	• • Bearing base		
	8	1	0396G	SG1 02-09 01	• Two-armed lever		
	9	3	0396G	016650	• Screw 6x25		
	10	2	0396G	017500	• Screw 6x63		
	11	3	0396G	016600	• Screw 6x23		
	12	4	0396G	012100 (ISO 4014)	• Screw M5x70		
	13	2	0396G	032300 (CSN 02 1413.44)	• Nut M6		
	14	14	0396G	038266 (DIN 988)	• Washer 6x1		
	15	8	0396G	040008 (ISO 1234)	• Cotter pin 1.6x16		
	16	4	0396G	037652 (DIN 93)	• Washer 5.3		
	17	1	0396G	038265 (DIN 988)	• Washer 6x0.5		
	18	6	0396G	032075 (DIN 935)	• Nut M6		

This page has been intentionally left blank.

Pitch control countershaft

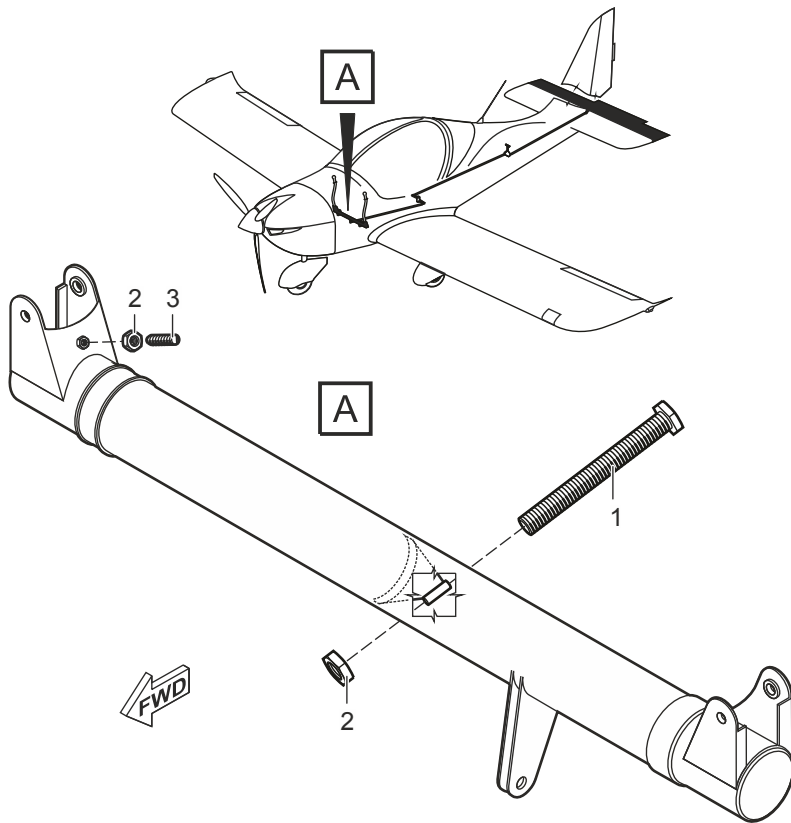
Illustrated parts data

Table of Contents	Page
Pitch control countershaft - Illustrated parts data.....	1
Index of Tables	Page
1 References.....	1
Index of Figures	Page
1 Pitch control countershaft.....	2

References

Table 1 References

Data module/Technical publication	Title
None	



ICN-SPORTSTAR-A-27-30-00-E-0396G-00121-A-001-01.CGM

Figure 1: Pitch control countershaft

Fig.	Item	Units per assembly / Units of issue	NCAGE	Part Number NATO Stock Number	Nomenclature	*Usable on code assy •MV/Effect	I C Y
1A							
-	0	1	0396G	SG4 01-02 01	Countershaft of manual control		
	1	1	0396G	SG4 02-12 21	• Screw		
	2	3	0396G	035404	• Nut M6		
	3	2	0396G	007376 (ISO 4026)	• Screw M6x20		

Pull-rod in the cockpit

Illustrated parts data

Table of Contents

	Page
Pull-rod in the cockpit - Illustrated parts data.....	1

Index of Tables

	Page
1 References.....	1

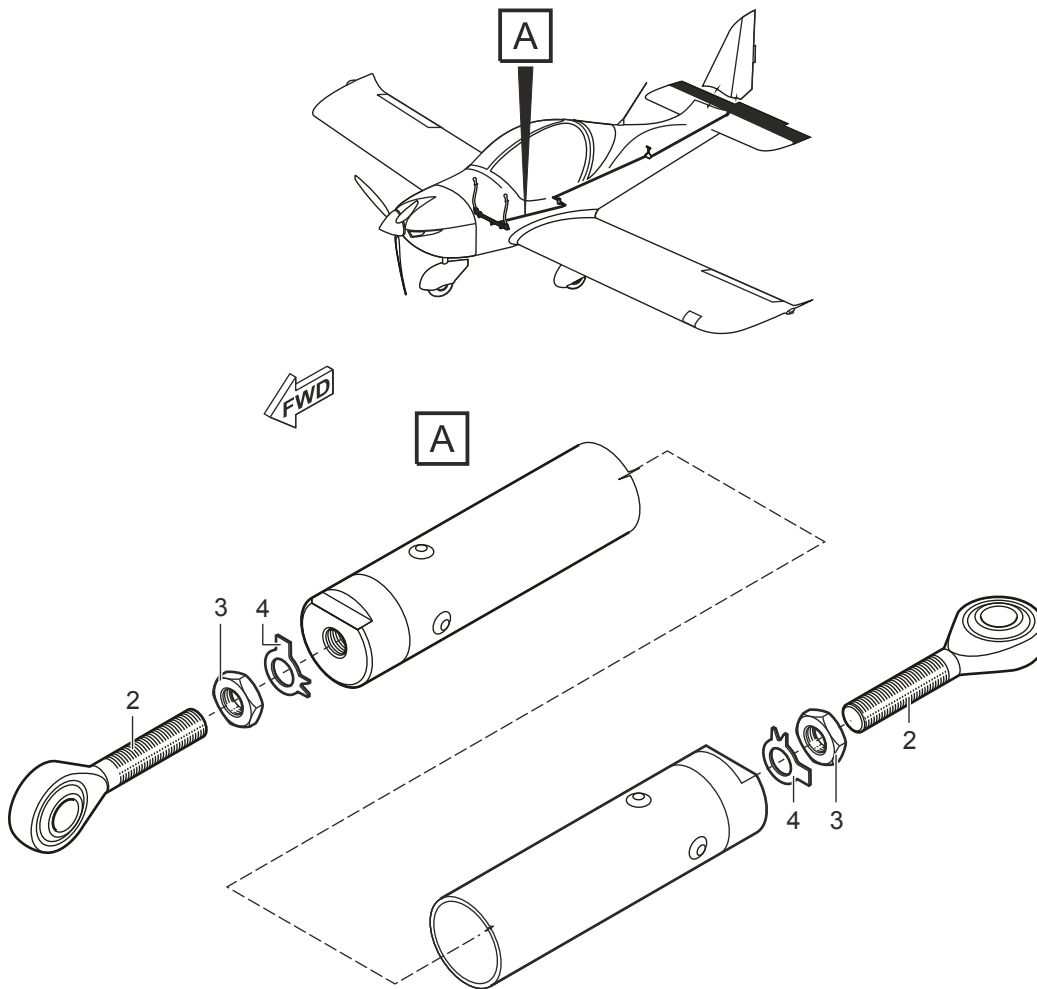
Index of Figures

	Page
1 Pull-rod in the cockpit.....	2

References

Table 1 References

Data module/Technical publication	Title
None	



ICN-SPORTSTAR-A-27-30-00-E-0396G-00122-A-001-01.CGM

Figure 1: Pull-rod in the cockpit

Fig.	Item	Units per assembly / Units of issue	NCAGE	Part Number NATO Stock Number	Nomenclature	*Usable on code assy •MV/Effect	I C Y
1A							
-	0	1	0396G	S4 01-09 01	Pull-rod in the cockpit		
	2	2	0396G	048155	• Adjustable rod eye with swivel		
	3	2	0396G	031901 (ISO 4035)	• Nut M6		
	4	2	0396G	038126 (DIN 463)	• Washer 6.4		

Two-armed lever

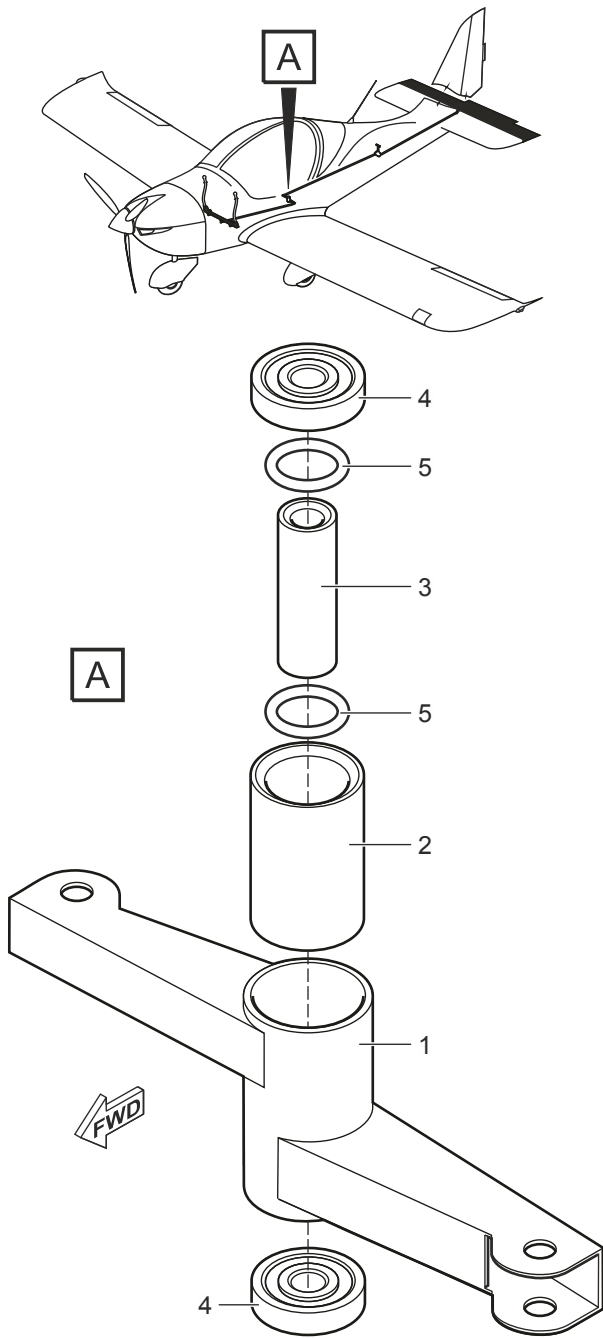
Illustrated parts data

Table of Contents	Page
Two-armed lever - Illustrated parts data.....	1
Index of Tables	Page
1 References.....	1
Index of Figures	Page
1 Two-armed lever.....	2

References

Table 1 References

Data module/Technical publication	Title
None	



ICN-SPORTSTAR-A-27-30-00-E-0396G-00123-A-001-01.CGM
Figure 1: Two-armed lever

Fig.	Item	Units per assembly / Units of issue	NCAGE	Part Number NATO Stock Number	Nomenclature	*Usable on code assy •MV/Effect	I C Y
1A							
-	0	1	0396G	SG1 02-09 01	Two-armed lever		
	1	1	0396G	SG1 02-08 01	• Welded lever		
	2	1	0396G	SG1 09-02 21	• Insert		
	3	1	0396G	S4 01-32 21	• Spacer		
	4	2	0396G	048648	• Bearing		
	5	2	0396G	059299	• Ring		
-	6	AR	0396G	096215	• Adhesive Loctite 648		

This page has been intentionally left blank.

Pull-rod in the fuselage - front

Illustrated parts data

Table of Contents	Page
Pull-rod in the fuselage - front - Illustrated parts data.....	1

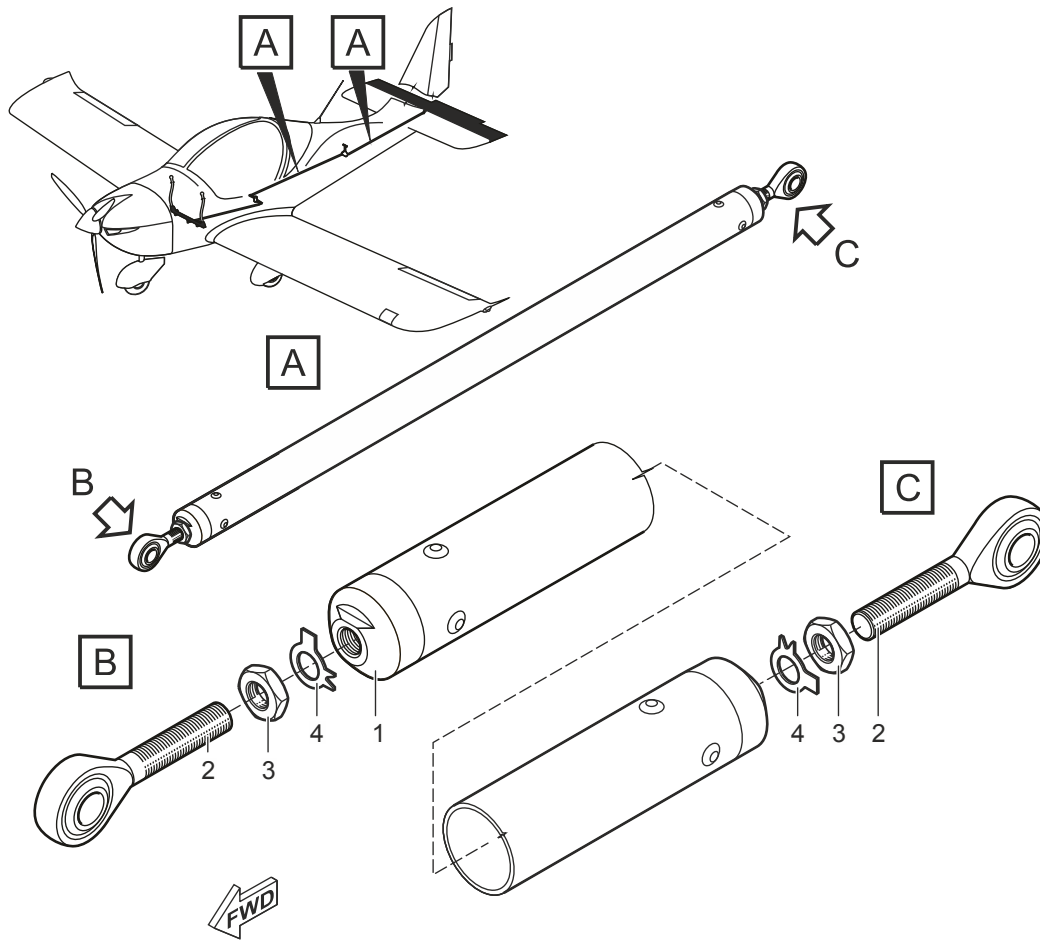
Index of Tables	Page
1 References.....	1

Index of Figures	Page
1 Pull-rod in the fuselage - front.....	2

References

Table 1 References

Data module/Technical publication	Title
None	



ICN-SPORTSTAR-A-27-30-00-E-0396G-00124-A-001-01.CGM

Figure 1: Pull-rod in the fuselage - front

Fig.	Item	Units per assembly / Units of issue	NCAGE	Part Number NATO Stock Number	Nomenclature	*Usable on code assy •MV/Effect	I C Y
1A	-	0	1	0396G	S4 01-12 01	Pull-rod in the fuselage - front	
	1	1	0396G	SG4 10-01 21	• Tube		
	2	2	0396G	048155	• Adjustable rod eye with swivel		
	3	2	0396G	031901 (ISO 4035)	• Nut M6		
	4	2	0396G	038126 (DIN 463)	• Washer 6.4		

Rocker arm

Illustrated parts data

Table of Contents

	Page
Rocker arm - Illustrated parts data.....	1

Index of Tables

	Page
1 References.....	1

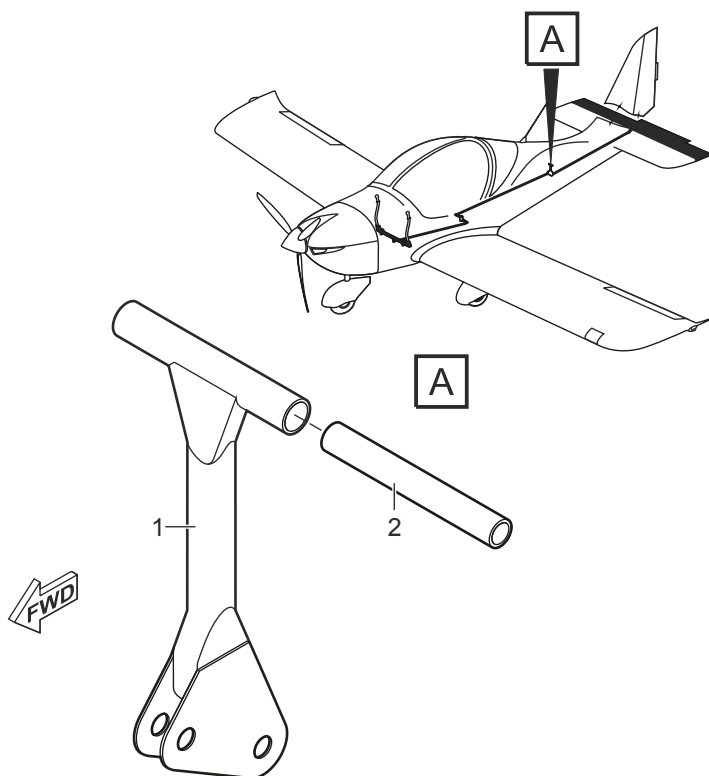
Index of Figures

	Page
1 Rocker arm.....	1

References

Table 1 References

Data module/Technical publication	Title
None	



ICN-SPORTSTAR-A-27-30-00-E-0396G-00125-A-001-01.CGM
Figure 1: Rocker arm



Fig.	Item	Units per assembly / Units of issue	NCAGE	Part Number NATO Stock Number	Nomenclature	*Usable on code assy •MV/Effect	I C Y
1A							
-	0	1	0396G	27-30-05	Rocker arm		
	1	1	0396G	SG4 01-19 01	• Rocker arm		
	2	1	0396G	SG4 01-22 21	• Tube		

Pull-rod in the fuselage - aft

Illustrated parts data

Table of Contents	Page
Pull-rod in the fuselage - aft - Illustrated parts data.....	1

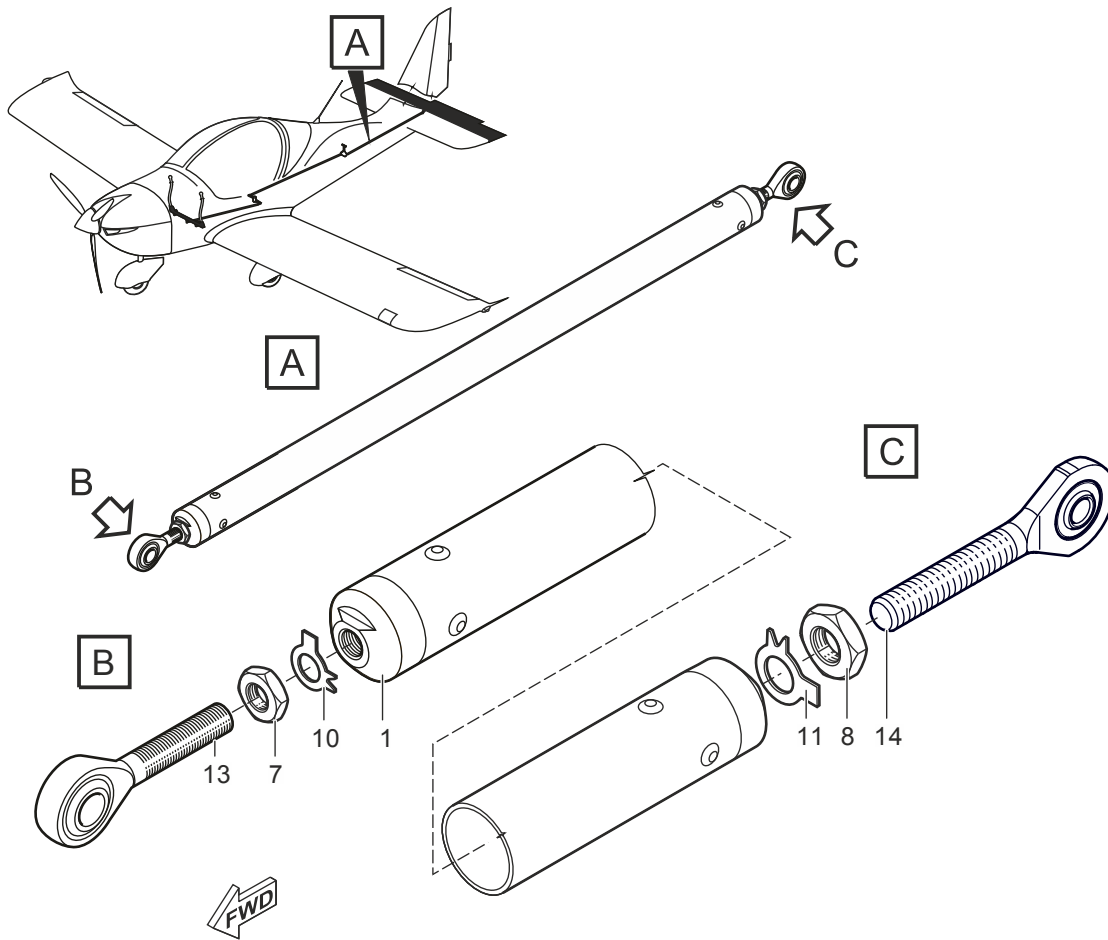
Index of Tables	Page
1 References.....	1

Index of Figures	Page
1 Pull rod in the fuselage - aft.....	2

References

Table 1 References

Data module/Technical publication	Title
None	



ICN-SPORTSTAR-A-27-30-00-E-0396G-00207-A-000-01.CGM

Figure 1: Pull rod in the fuselage - aft

Fig.	Item	Units per assembly / Units of issue	NCAGE	Part Number NATO Stock Number	Nomenclature	*Usable on code assy •MV/Effect	I C Y
1A	-	0	1	0396G	S4 01-10 01	Pull-rod in the fuselage - aft	
	1	1	0396G	S4 10-01 21	• Tube		
	7	1	0396G	031901 (ISO 4035)	• Nut M6		
	8	1	0396G	031552 (ISO 4035)	• Nut M8		
	10	1	0396G	038126 (DIN 463)	• Washer 6.4		



Fig.	Item	Units per assembly / Units of issue	NCAGE	Part Number NATO Stock Number	Nomenclature	*Usable on code assy •MV/Effect	I C Y
1A							
	11	1	0396G	038241	• Washer 8.4		
	13	1	0396G	048155	• Adjustable rod eye with swivel		
	14	1	0396G	079575	• Adjustable rod eye with swivel		

This page has been intentionally left blank.

Pitch trim

Illustrated parts data

Table of Contents	Page
Pitch trim - Illustrated parts data.....	1

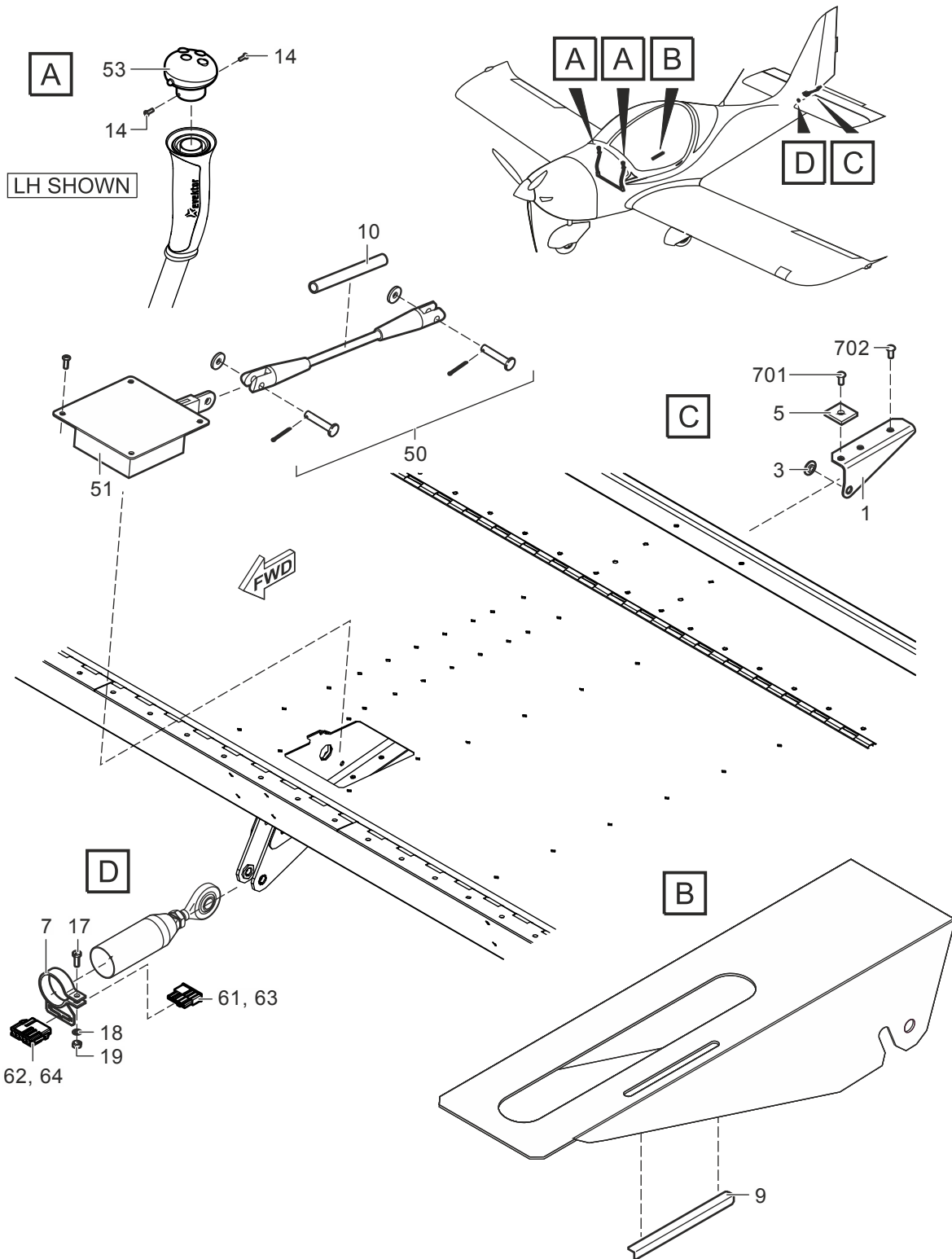
Index of Tables	Page
1 References.....	1

Index of Figures	Page
1 Pitch trim.....	2

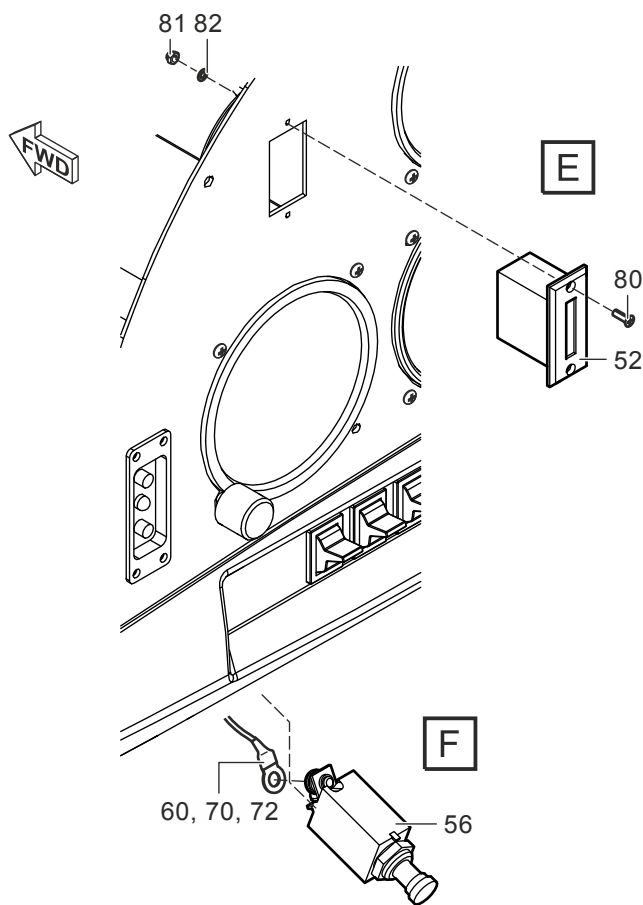
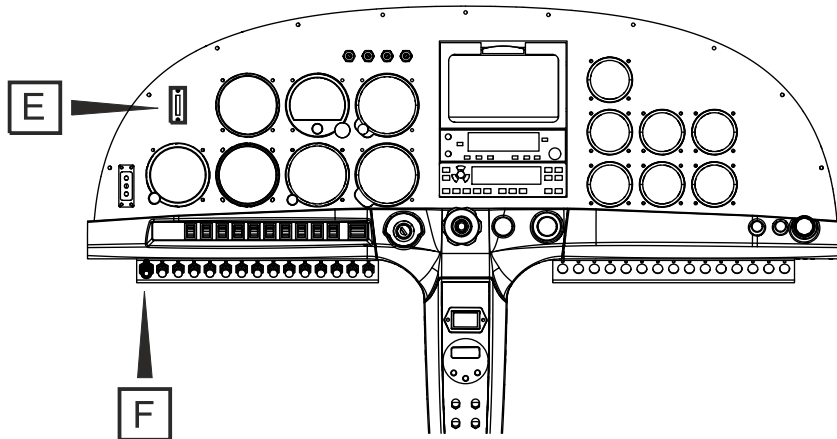
References

Table 1 References

Data module/Technical publication	Title
None	



ICN-SPORTSTAR-A-27-30-00-E-0396G-00071-A-001-01.CGM
 Figure 1: Pitch trim (Sheet 1 of 2)



ICN-SPORTSTAR-A-27-30-00-E-0396G-00072-A-001-01.CGM

Figure 1: Pitch trim (Sheet 2 of 2)

Fig.	Item	Units per assembly / Units of issue	NCAGE	Part Number NATO Stock Number	Nomenclature	*Usable on code assy •MV/Effect	I C Y
1A							
-	0	1	0396G	S3 03-40 01	Pitch trim		
	1	1	0396G	E3 03-29 21	• Trim tab control lever		
	3	1	0396G	E3 03-38 21	• Bushing		
	5	1	0396G	E3 03-15 21	• Pad		
	7	1	0396G	E3 03-30 01	• Clamp		
	9	1	0396G	E3 03-34 21	• Cover		
	10	1	0396G	E3 03-36 21	• Pull rod		
	14	4	0396G	001825	• Screw M3x10		
	17	1	0396G	004997 (ISO 1207)	• Screw M4x16		
	18	2	0396G	038204 (ISO 7089)	• Washer 4.3		
	19	1	0396G	033850 (DIN 980 V)	• Nut M4		
-	20	AR	0396G	096278	• Silicone sealant Dow Corning 799		
-	21	AR	0396G	096221	• Sealant Emfimastic PU 50 - grey		
	50	1	0396G	078385	• Trim tab installation kit		
	51	1	0396G	078383	• Servo		
	52	1	0396G	E7 52-00 99	• Trim tab position indicator		
	53	2	0396G	078373	• Control stick head		
-	55	1	0396G	078378	• Relay of servo		
	56	1	0396G	739585	• Circuit breaker 2TC2-1		
	57	2	0396G	064519	• Diode		

Fig.	Item	Units per assembly / Units of issue	NCAGE	Part Number NATO Stock Number	Nomenclature	*Usable on code assy •MV/Effect	I C Y
1A							
	60	6	0396G	739772	• Ring cable eye		
	61	1	0396G	739874	• Connector - plug type		
	62	1	0396G	739875	• Connector- socket type		
	63	5	0396G	739870	• Socket (AWG24-18)		
	64	5	0396G	739871	• Plug (AWG24-18)		
	70	AR	0396G	739681	• Electrical wire AE22		
	72	AR	0396G	088086	• Shrink tube RNF-3000		
-	73	AR	0396G	088087	• Shrink tube RNF-3000		
-	74	25	0396G	060332	• Cable tie		
-	75	10	0396G	060333	• Cable tie		
-	76	3	0396G	060465	• Self-adhesive clamp		
	80	2	0396G	004977 (ISO 1207)	• Screw M3x12		
	81	2	0396G	035413 (DIN 985)	• Nut M3		
	82	2	0396G	038198 (ISO 7089)	• Washer 3.2		
	701	5	0396G	047560 (AVDEL 1691-0410)	• Rivet 3.2x7.9		
	702	2	0396G	047565 (AVDEL 1691-0414)	• Rivet 3.2x11.1		

This page has been intentionally left blank.

Stall warning system

Illustrated parts data

Table of Contents

	Page
Stall warning system - Illustrated parts data.....	1

Index of Tables

	Page
1 References.....	1

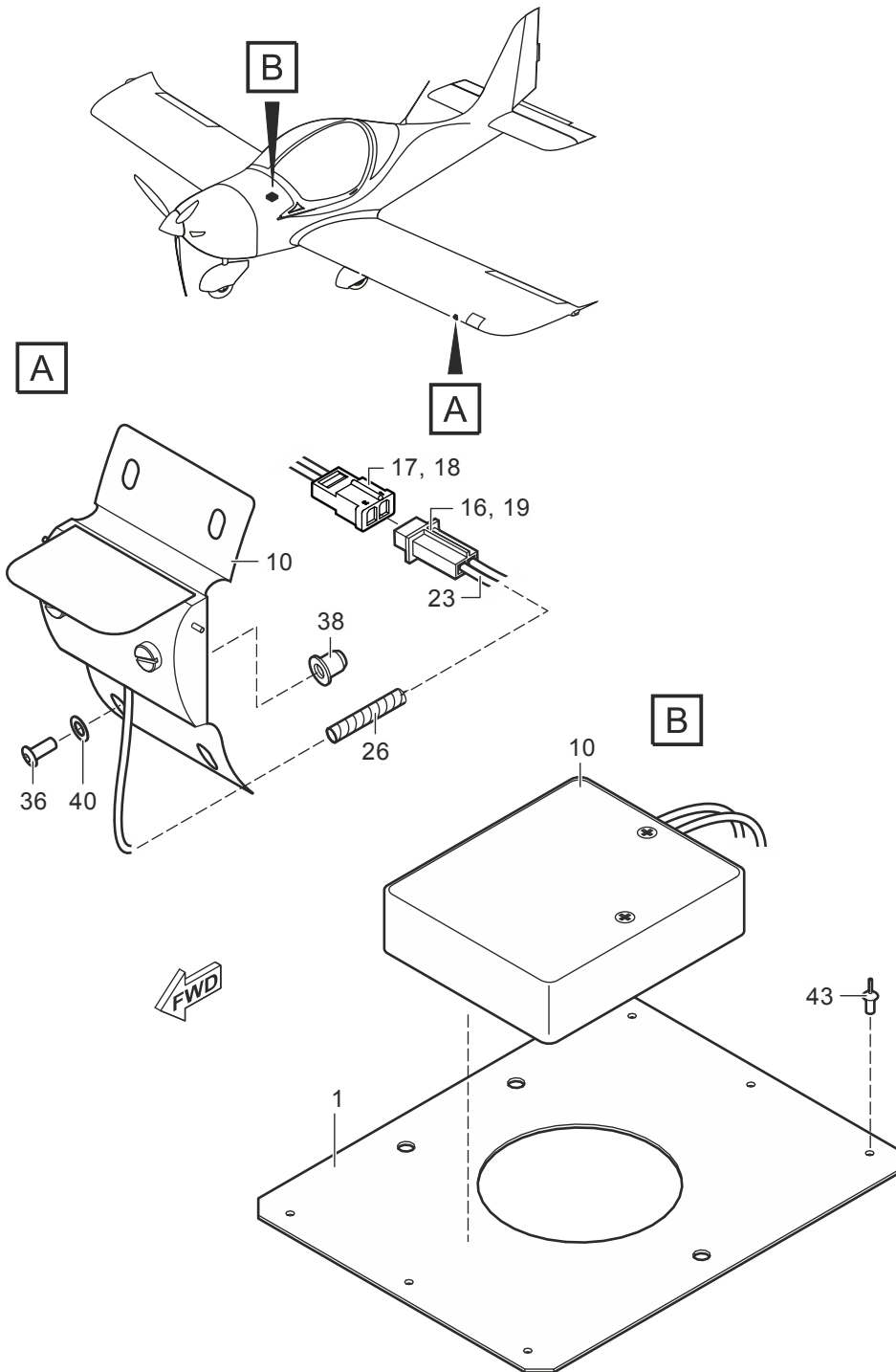
Index of Figures

	Page
1 Stall warning system.....	2

References

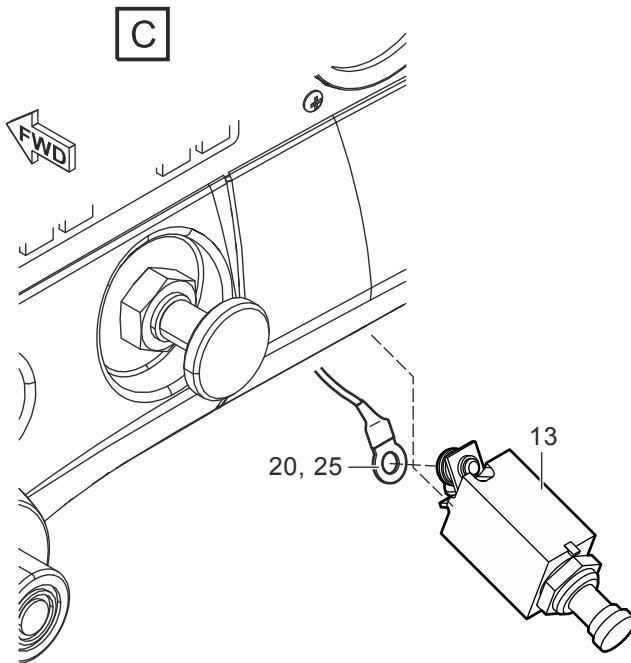
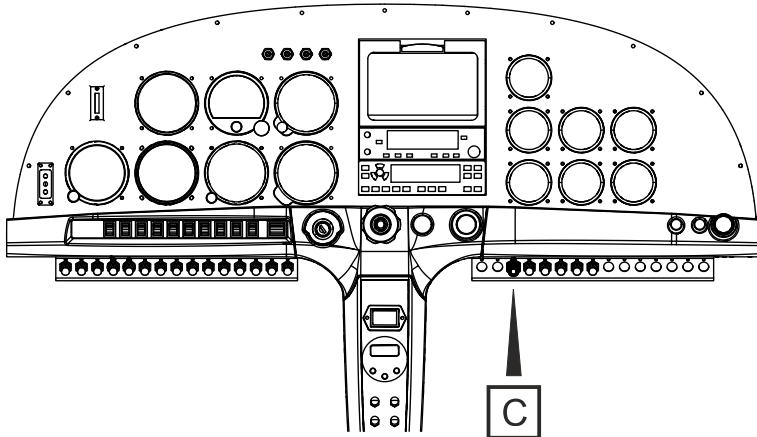
Table 1 References

Data module/Technical publication	Title
None	



ICN-SPORTSTAR-A-27-30-00-E-0396G-00035-A-001-01.CGM

Figure 1: Stall warning system (Sheet 1 of 2)



ICN-SPORTSTAR-A-27-30-00-E-0396G-00036-A-001-01.CGM

Figure 1: Stall warning system (Sheet 2 of 2)

Fig.	Item	Units per assembly / Units of issue	NCAGE	Part Number NATO Stock Number	Nomenclature	*Usable on code assy •MV/Effect	I C Y
1A							
-	0	1	0396G	E7 48-01 01	Stall warning system		
	1	1	0396G	E8 03-08 21	• Bracket		
	10	1	0396G	080105	• Stall warning sensor		

Applicability: All

SPORTSTAR-A-27-32-00-01A-941A-D

Fig.	Item	Units per assembly / Units of issue	NCAGE	Part Number NATO Stock Number	Nomenclature	*Usable on code assy •MV/Effect	I C Y
1A							
	13	1	0396G	739585	• Circuit breaker 2TC2-1		
	16	2	0396G	068640	• Connector - socket type		
	17	2	0396G	068641	• Connector - plug type		
	18	4	0396G	068646	• Socket (AWG22-18)		
	19	4	0396G	068648	• Plug (AWG22-18)		
	20	2	0396G	739772	• Ring cable eye		
	23	AR	0396G	739681	• Electrical wire AE22		
-	24	AR	0396G	088086	• Shrink tube RNF-3000		
	25	AR	0396G	088087	• Shrink tube RNF-3000		
	26	AR	0396G	088022	• Tube 3.5		
-	27	0	0396G	086604	• Velcro strap - loops		
-	28	AR	0396G	086603	• Velcro strap - hooks		
-	29	15	0396G	060332	• Cable tie		
-	30	6	0396G	060333	• Cable tie		
-	33	1	0396G	076800	• Bushing 3.5x1		
	36	4	0396G	010988 (ISO 7380)	• Screw M3x12		
	38	4	0396G	035425	• Anchor nut M3		
	40	4	0396G	038198 (ISO 7089)	• Washer 3.2		
	43	6	0396G	047560 (AVDEL 1691-0410)	• Rivet 3.2x7.9		
	699	AR	0396G	096012	• Adhesive Pattex Chemopren Extrem		

Flaps control unit

Illustrated parts data

Table of Contents	Page
Flaps control unit - Illustrated parts data.....	1

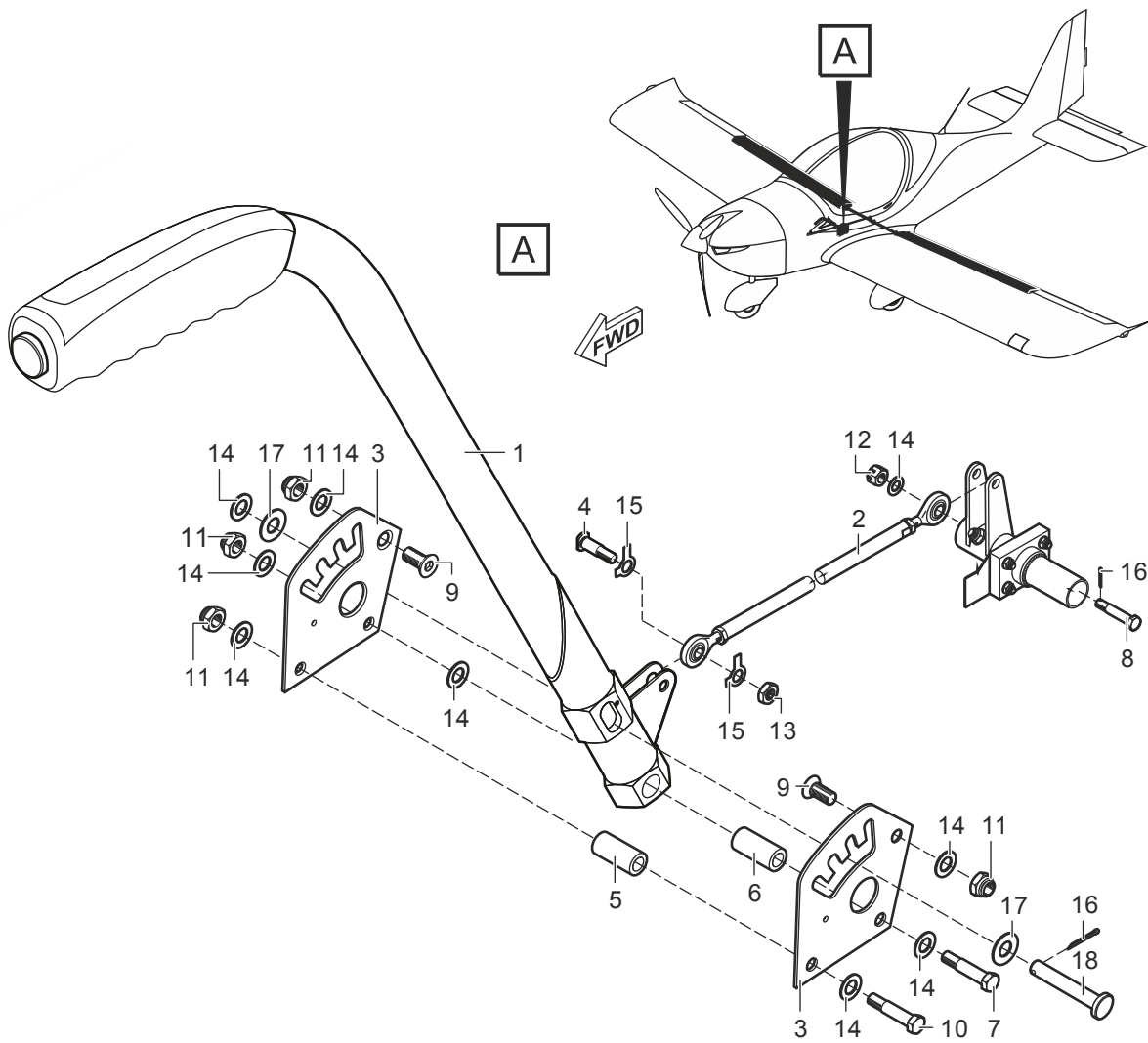
Index of Tables	Page
1 References.....	1

Index of Figures	Page
1 Flaps control lever.....	2

References

Table 1 References

Data module/Technical publication	Title
None	



ICN-SPORTSTAR-A-27-50-00-E-0396G-00126-A-001-01.CGM

Figure 1: Flaps control lever

Fig.	Item	Units per assembly / Units of issue	NCAGE	Part Number NATO Stock Number	Nomenclature	*Usable on code assy •MV/Effect	I C Y
1A							
-	0	1	0396G	27-50-01	Flaps control lever		
	1	1	0396G	S4 01-16 01	• Flaps control lever - assembled		
	2	1	0396G	S4 01-20 01	• Flaps control pull-rod		
	3	2	0396G	E4 01-01 21	• Slotted piece		

Applicability: All

SPORTSTAR-A-27-50-01-01A-941A-D

Fig.	Item	Units per assembly / Units of issue	NCAGE	Part Number NATO Stock Number	Nomenclature	*Usable on code assy •MV/Effect	I C Y
1A							
	4	1	0396G	764453	• Pin		
	5	1	0396G	764451	• Spacer		
	6	1	0396G	764452	• Spacer		
	7	1	0396G	017050	• Screw 6x41		
	8	1	0396G	016600	• Screw 6x23		
	9	2	0396G	011872 (ISO 10642)	• Screw M6x12		
	10	1	0396G	017100	• Screw 6x43		
	11	9	0396G	033860 (DIN 980 V)	• Nut M6		
	12	1	0396G	032300 (CSN 02 1413.44)	• Nut M6		
	13	15	0396G	031901 (ISO 4035)	• Nut M6		
	14	28	0396G	038206 (ISO 7089)	• Washer 6.4		
	15	4	0396G	038126 (DIN 463)	• Washer 6.4		
	16	5	0396G	040002 (ISO 1234)	• Cotter pin 1.6x12		
	17	2	0396G	038673	• Washer 6.4		
	18	1	0396G	029020	• Pin 6x36		

This page has been intentionally left blank.

Flaps control pull-rod

Illustrated parts data

Table of Contents

Page

	Flaps control pull-rod - Illustrated parts data.....	1
--	--	---

Index of Tables

Page

1	References.....	1
---	-----------------	---

Index of Figures

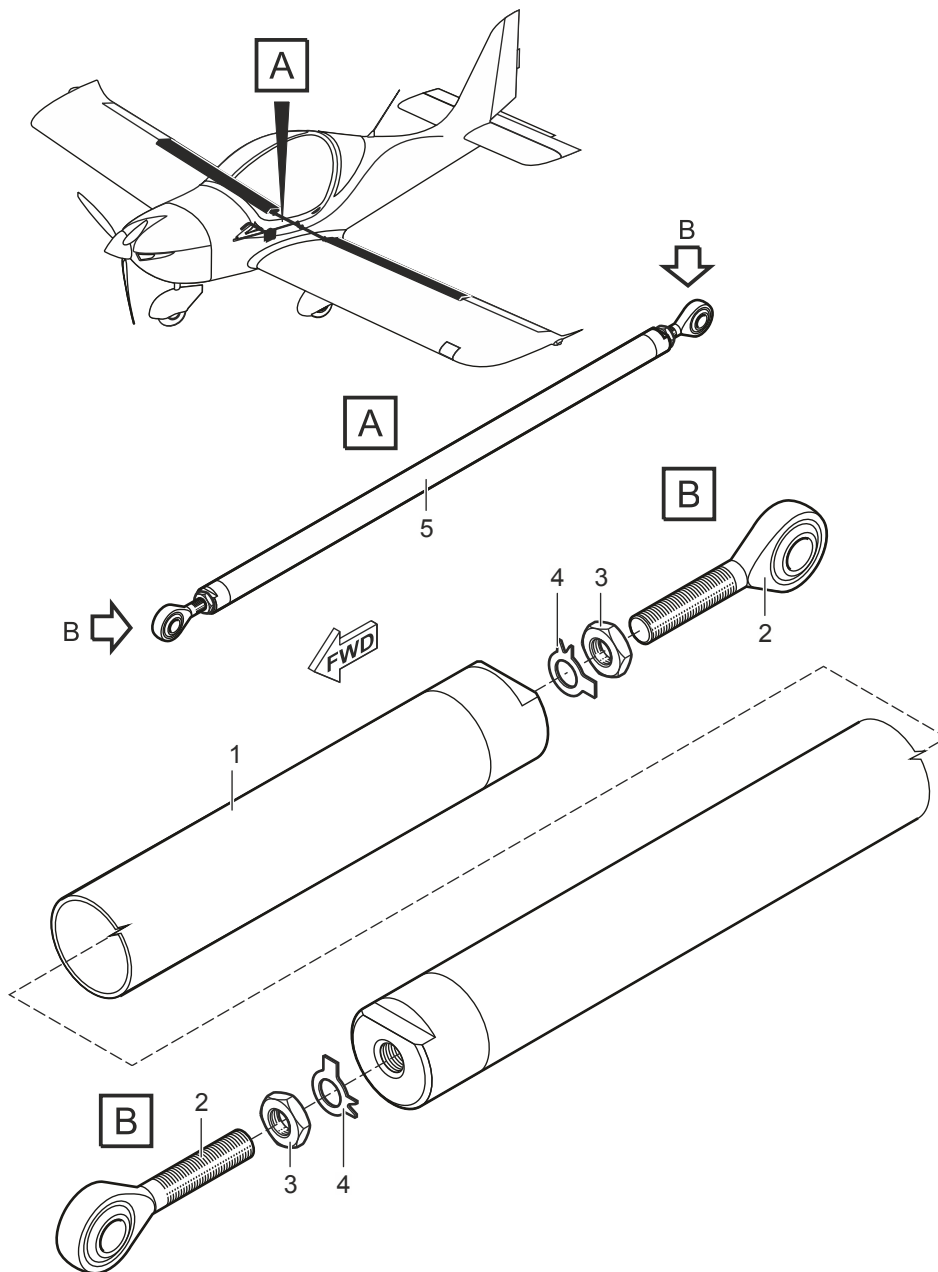
Page

1	Flaps control pull-rod.....	2
---	-----------------------------	---

References

Table 1 References

Data module/Technical publication	Title
None	



ICN-SPORTSTAR-A-25-50-00-E-0396G-00127-A-001-01.CGM

Figure 1: Flaps control pull-rod

Fig.	Item	Units per assembly / Units of issue	NCAGE	Part Number NATO Stock Number	Nomenclature	*Usable on code assy •MV/Effect	I C Y
1A	-	0 1	0396G	S4 01-20 01	Flaps control pull-rod		

Applicability: All

SPORTSTAR-A-27-50-02-01A-941A-D

Fig.	Item	Units per assembly / Units of issue	NCAGE	Part Number NATO Stock Number	Nomenclature	*Usable on code assy •MV/Effect	I C Y
1A							
	1	2	0396G	S4 01-21 01	• Tube		
	2	4	0396G	048155	• Adjustable rod eye with swivel		
	3	4	0396G	031901 (ISO 4035)	• Nut M6		
	4	4	0396G	038126 (DIN 463)	• Washer 6.4		

This page has been intentionally left blank.

Flaps control torsion shaft

Illustrated parts data

Table of Contents

	Page
Flaps control torsion shaft - Illustrated parts data.....	1

Index of Tables

	Page
1 References.....	1

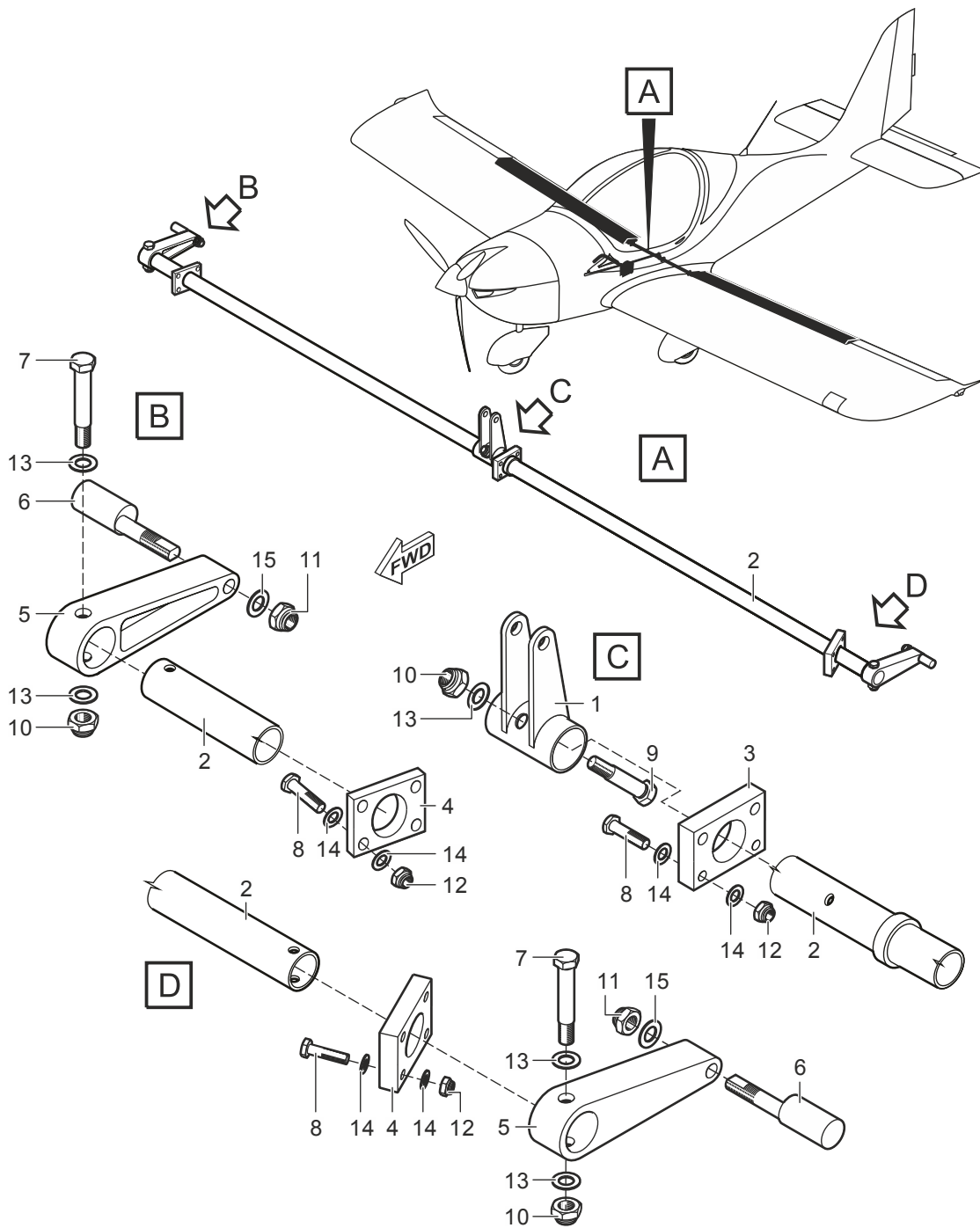
Index of Figures

	Page
1 Flaps control torsion shaft.....	2

References

Table 1 References

Data module/Technical publication	Title
None	



ICN-SPORTSTAR-A-27-50-00-E-0396G-00128-A-001-01.CGM

Figure 1: Flaps control torsion shaft

Fig.	Item	Units per assembly / Units of issue	NCAGE	Part Number NATO Stock Number	Nomenclature	*Usable on code assy •MV/Effect	I C Y
1A							
-	0	1	0396G	27-50-03	Flaps control torsion shaft		
	1	1	0396G	E4 01-08 01	• Lever		
	2	1	0396G	S4 01-08 01	• Torsion shaft		
	3	1	0396G	764407	• Bearing		
	4	2	0396G	E4 85-01 21	• Bearing		
	5	2	0396G	764403	• Lever		
	6	2	0396G	764411	• Cam		
	7	1	0396G	017050	• Screw 6x41		
	8	12	0396G	001461 (ISO 4017)	• Screw M4x20		
	9	1	0396G	016850	• Screw 6x33		
	10	9	0396G	033860 (DIN 980 V)	• Nut M6		
	11	2	0396G	033870 (ISO 7042)	• Nut M8		
	12	16	0396G	033850 (DIN 980 V)	• Nut M4		
	13	28	0396G	038206 (ISO 7089)	• Washer 6.4		
	14	29	0396G	038204 (ISO 7089)	• Washer 4.3		
	15	2	0396G	038208 (ISO 7089)	• Washer 8.4		
-	701	AR	0396G	096215	• Adhesive Loctite 648		

This page has been intentionally left blank.

Fuel system

Illustrated parts data

Table of Contents

	Page
Fuel system - Illustrated parts data.....	1

Index of Tables

	Page
1 References.....	1

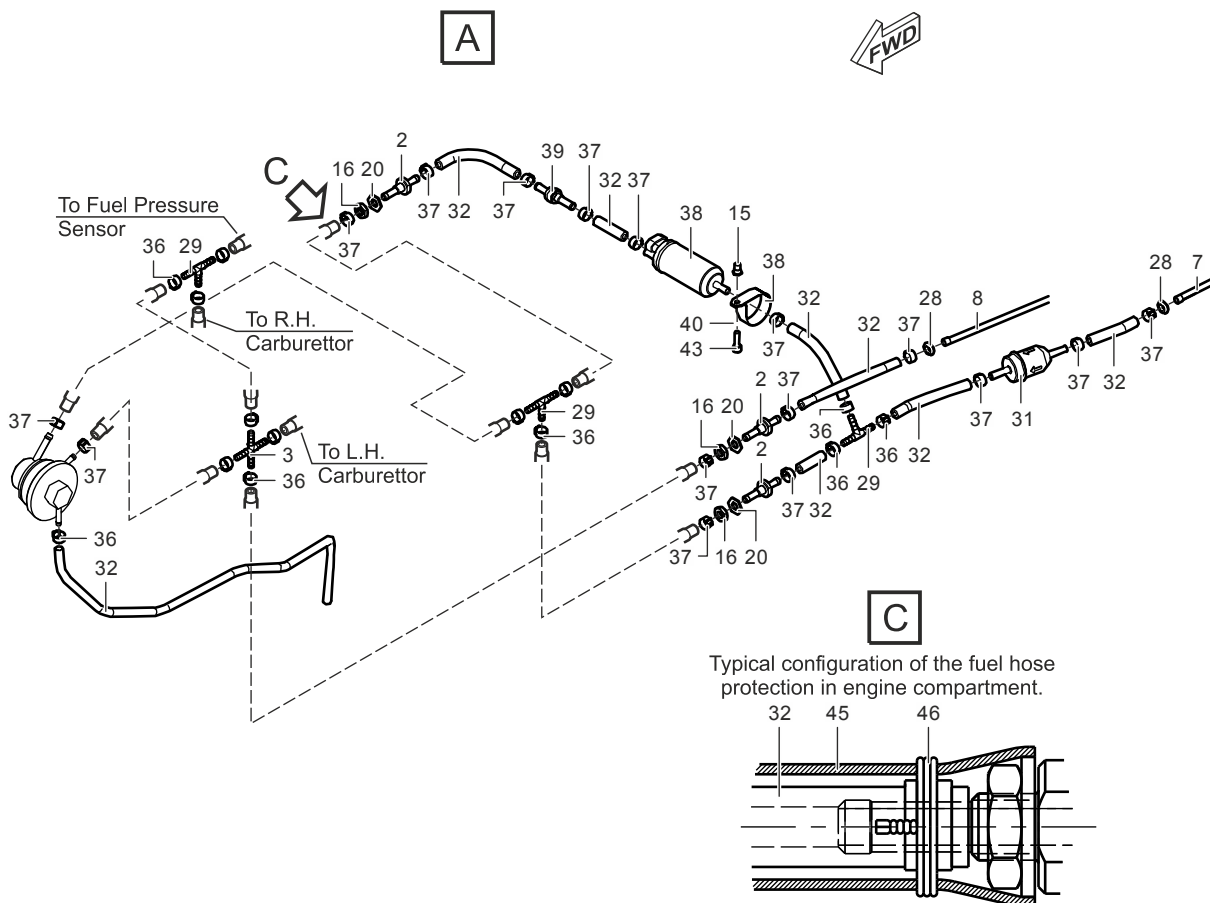
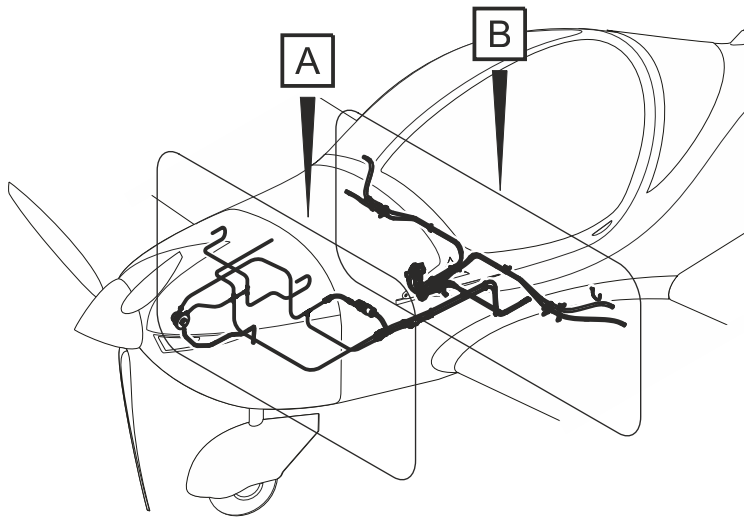
Index of Figures

	Page
1 Fuel system.....	2

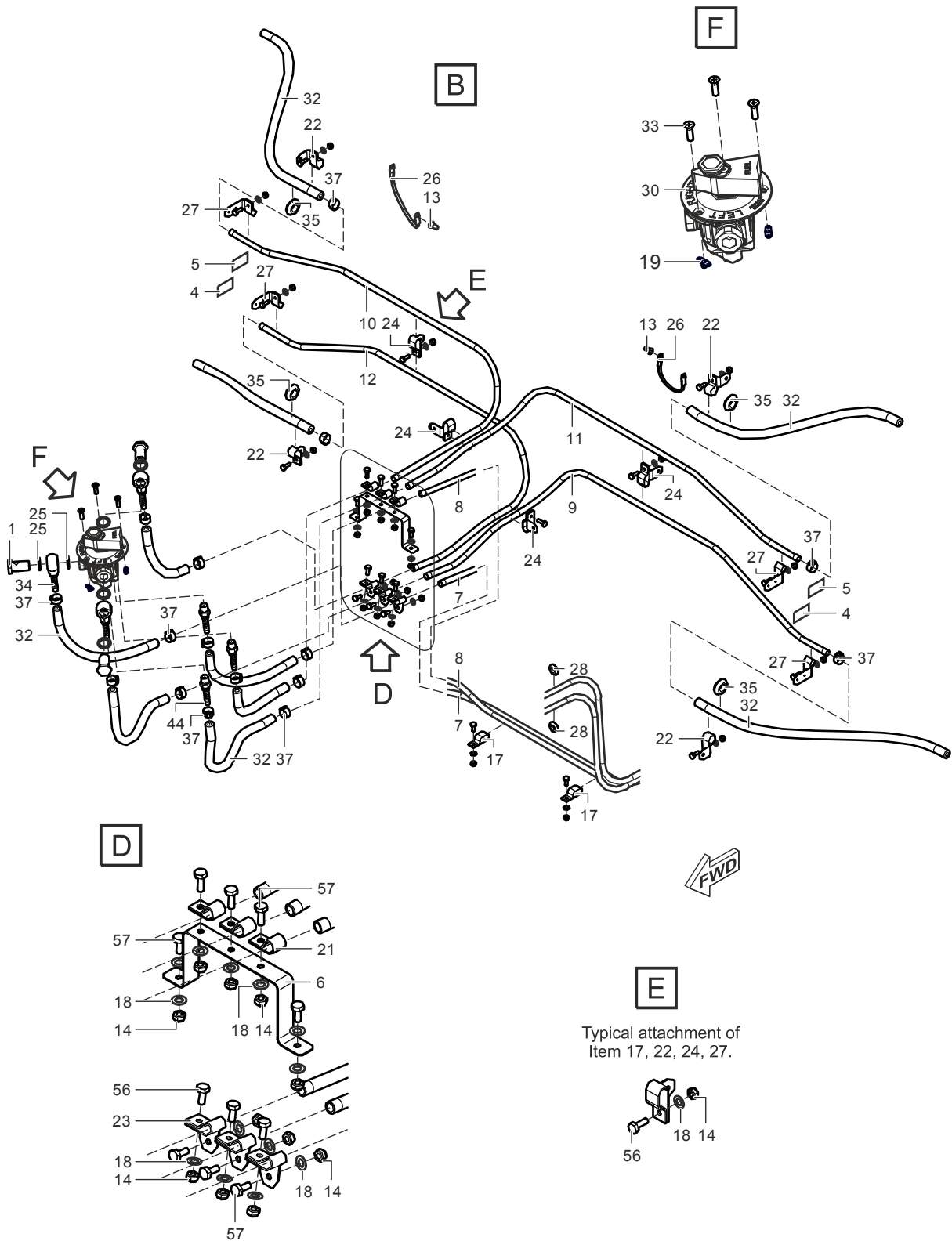
References

Table 1 References

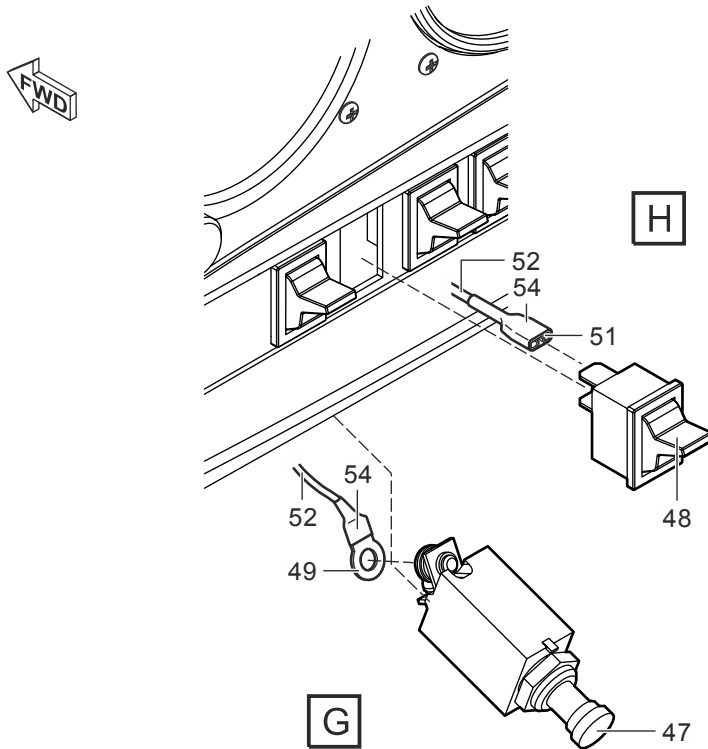
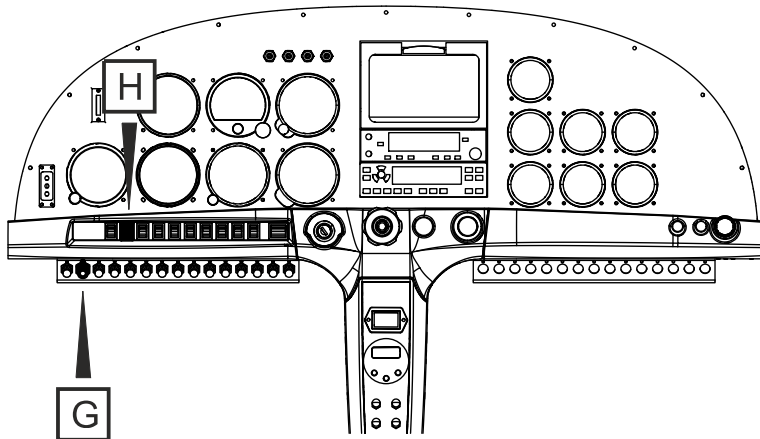
Data module/Technical publication	Title
None	



ICN-SPORTSTAR-A-28-00-00-E-0396G-00001-A-001-01.CGM
 Figure 1: Fuel system (Sheet 1 of 3)



ICN-SPORTSTAR-A-28-00-00-E-0396G-00002-A-001-01.CGM
 Figure 1: Fuel system (Sheet 2 of 3)



ICN-SPORTSTAR-A-28-00-00-E-0396G-00003-A-001-01.CGM

Figure 1: Fuel system (Sheet 3 of 3)

Fig.	Item	Units per assembly / Units of issue	NCAGE	Part Number NATO Stock Number	Nomenclature	*Usable on code assy •MV/Effect	I C Y
1A							
-	0	1	0396G	S6 00-69 01	Fuel system installation		
	1	3	0396G	S6 70-01 21	• Screw fitting		
	2	3	0396G	766406	• Bushing		
	3	1	0396G	S6 60-63 01	• Four way distributor		
	4	4	0396G	S6 70-02 21	• Placard SUCTION		
	5	4	0396G	S6 70-03 21	• Placard RETURN		
	6	1	0396G	S6 70-04 21	• Console		
	7	1	0396G	S6 69-01 21	• Fuel pipe		
	8	1	0396G	S6 69-02 21	• Fuel pipe - return line		
	9	1	0396G	S6 69-03 21	• Fuel pipe		
	10	1	0396G	S6 69-04 21	• Fuel pipe		
	11	1	0396G	S6 69-05 21	• Fuel pipe - return line		
	12	1	0396G	S6 69-06 21	• Fuel pipe - return line		
	13	5	0396G	035410	• Anchor nut M4		
	14	25	0396G	033850 (DIN 980 V)	• Nut M4		
	15	1	0396G	047611	• Anchor nut M6		
	16	3	0396G	031651 (ISO 4035)	• Nut M10		
	17	2	0396G	059949	• Clamp 2x8		
	18	34	0396G	038204 (ISO 7089)	• Washer 4.3		
	19	3	0396G	033676	• Anchor nut M5		
	20	3	0396G	038225 (ISO 7089)	• Washer 10.5		

Fig.	Item	Units per assembly / Units of issue	NCAGE	Part Number NATO Stock Number	Nomenclature	*Usable on code assy •MV/Effect	I C Y
1A							
	21	3	0396G	059627	• Clamp 1x8		
	22	4	0396G	079614	• Pipe clamp 1x12		
	23	3	0396G	079611	• Pipe clamp 1x8		
	24	4	0396G	079609	• Pipe clamp 2x8		
	25	6	0396G	054100 (CSN 02 9310.3)	• Sealing ring 14x18		
	26	2	0396G	057899	• Electrical bonding 3.3x140		
	27	4	0396G	079582	• Pipe clamp 1x8		
	28	4	0396G	076821	• Bushing 8x1		
	29	3	0396G	051158	• Hose T-connection		
	30	1	0396G	080602	• Fuel cock		
	31	1	0396G	766415	• Fuel filter		
	32	AR	0396G	056299	• Fuel hose Super-Flex FL7		
	33	3	0396G	009811 (ISO 7046-2)	• Screw M5x16		
	34	3	0396G	S6 69-07 21	• Fitting		
	35	4	0396G	076950	• Bushing 13x1		
	36	18	0396G	074506	• Hose clamp Cobra 11.0/7 W4		
	37	22	0396G	074508	• Hose clamp Cobra 12.0/8 W4		
	38	1	0396G	750134 (Pierburg 7.21440.51)	• Fuel pump		
	39	1	0396G	081817	• Check valve		
	40	2	0396G	038206 (ISO 7089)	• Washer 6.4		

Applicability: All

SPORTSTAR-A-28-00-00-01A-941A-D

Fig.	Item	Units per assembly / Units of issue	NCAGE	Part Number NATO Stock Number	Nomenclature	*Usable on code assy •MV/Effect	I C Y
1A							
-	41	30	0396G	060333	• Cable tie		
-	42	AR	0396G	079876	• Protective spiral		
	43	1	0396G	011820 (ISO 4762)	• Screw M6x20		
	44	3	0396G	S6 69-08 21	• Hose socket		
	45	AR	0396G	055607	• Protecting hose		
-	46	AR	0396G	118898 (ASTM A580 COND A)	• Lockwire dia. 0.81 mm (0.032 in)		
	47	1	0396G	739587	• Circuit breaker 2TC2-3		
	48	1	0396G	069110	• Switch		
	49	3	0396G	739772	• Ring cable eye		
-	50	1	0396G	739773	• Ring cable eye		
-	51	2	0396G	068636	• Connector Faston 4.8 (AWG22-16)		
	52	AR	0396G	739681	• Electrical wire AE22		
-	53	AR	0396G	088086	• Shrink tube RNF-3000		
	54	AR	0396G	088087	• Shrink tube RNF-3000		
-	55	10	0396G	060332	• Cable tie		
	56	30	0396G	001691 (ISO 4017)	• Screw M4x10		
	57	5	0396G	001295 (ISO 4017)	• Screw M4x12		
-	700	10	0396G	047560 (AVDEL 1691-0410)	• Rivet 3.2x7.9		
-	701	AR	0396G	096227	• Sealant Sabatack 750 black		



Fig.	Item	Units per assembly / Units of issue	NCAGE	Part Number NATO Stock Number	Nomenclature	*Usable on code assy •MV/Effect	I C Y
<hr/>							
1A							
-	702	AR	D8908	096249	• Adhesive Loctite 577		
-	703	AR	D8908	096270	• Activator Loctite 7471		
-	704	10	0396G	047569	• Rivet 4x9.5		
-	705	6	0396G	047590 (AVDEL 1604-0412)	• Rivet 3.2x9.5		

Fuel system

Illustrated parts data

Table of Contents

	Page
Fuel system - Illustrated parts data.....	1

Index of Tables

	Page
1 References.....	1

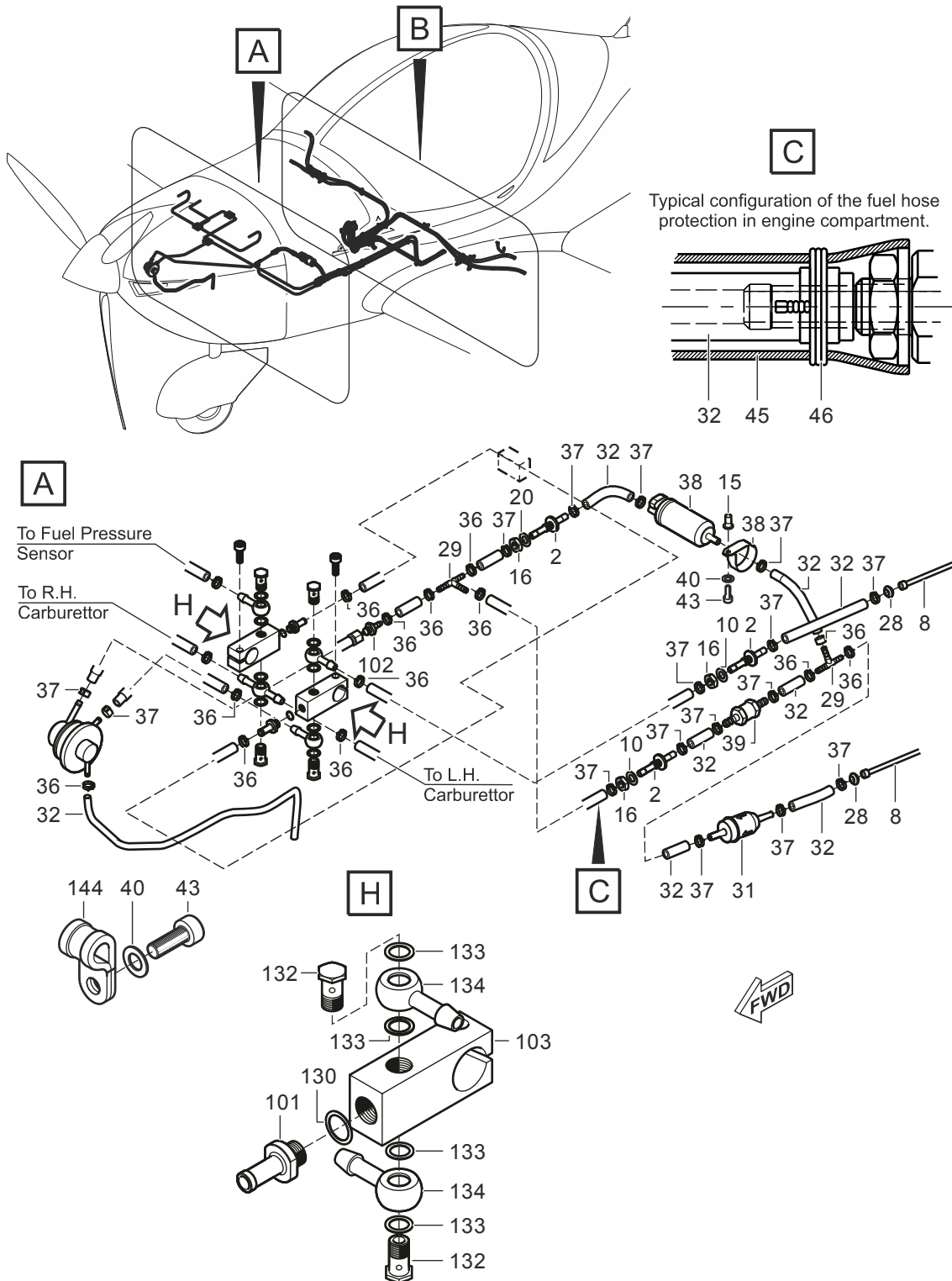
Index of Figures

	Page
1 Fuel system - NVFR installation.....	2

References

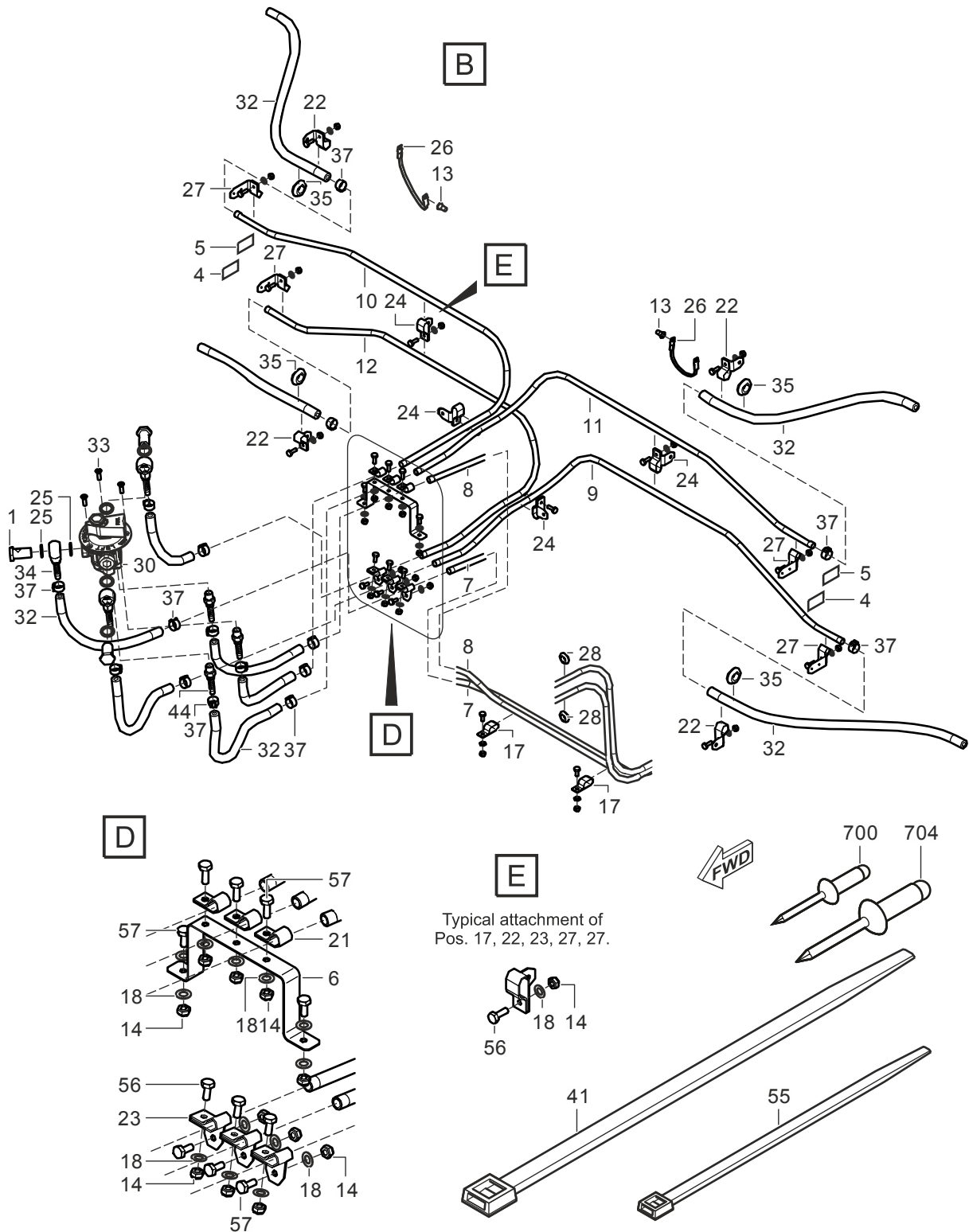
Table 1 References

Data module/Technical publication	Title
None	



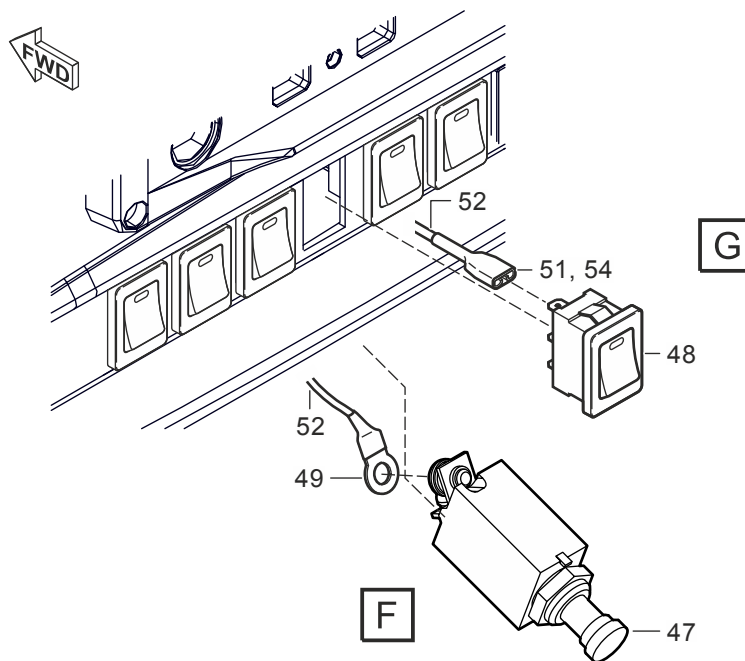
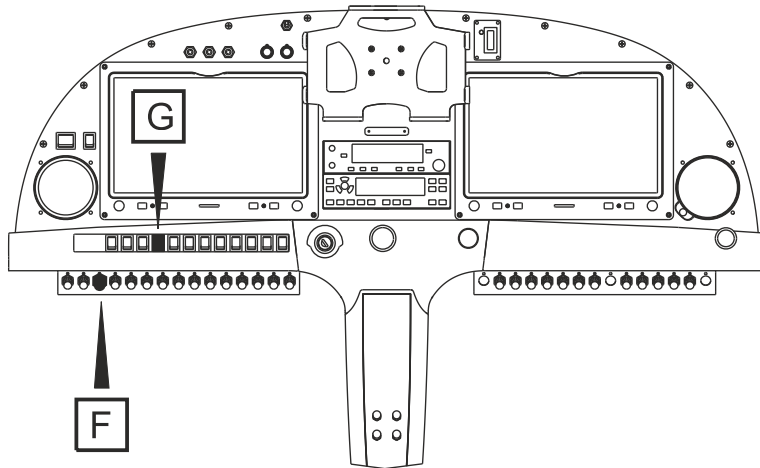
ICN-SPORTSTAR-A-28-00-00-E-0396G-00195-A-000-01.CGM

Figure 1: Fuel system - NVFR installation (Sheet 1 of 3)



ICN-SPORTSTAR-A-28-00-00-E-0396G-00196-A-000-01.CGM

Figure 1: Fuel system - NVFR installation (Sheet 2 of 3)



ICN-SPORTSTAR-A-28-00-00-E-0396G-00197-A-000-01.CGM

Figure 1: Fuel system - NVFR installation (Sheet 3 of 3)

Fig.	Item	Units per assembly / Units of issue	NCAGE	Part Number NATO Stock Number	Nomenclature	*Usable on code assy •MV/Effect	I C Y
1B	-	0	1	0396G	S6 00-76 01	Fuel system - NVFR installation	
		1	3	0396G	S6 70-01 21	• Screw fitting	

Applicability: All

SPORTSTAR-A-28-00-00-01B-941A-D

Fig.	Item	Units per assembly / Units of issue	NCAGE	Part Number NATO Stock Number	Nomenclature	*Usable on code assy •MV/Effect	I C Y
1B							
	2	3	0396G	766406	• Bushing		
	4	4	0396G	S6 70-02 21	• Placard SUCTION		
	5	4	0396G	S6 70-03 21	• Placard RETURN		
	6	1	0396G	S6 70-04 21	• Console		
	7	1	0396G	S6 69-01 21	• Fuel pipe		
	8	1	0396G	S6 69-02 21	• Fuel pipe - return line		
	9	1	0396G	S6 69-03 21	• Fuel pipe		
	10	1	0396G	S6 69-04 21	• Fuel pipe		
	11	1	0396G	S6 69-05 21	• Fuel pipe - return line		
	12	1	0396G	S6 69-06 21	• Fuel pipe - return line		
	13	5	0396G	035410	• Anchor nut M4		
	14	25	0396G	033850 (DIN 980 V)	• Nut M4		
	15	1	0396G	047611	• Anchor nut M6		
	16	3	0396G	031651 (ISO 4035)	• Nut M10		
	17	2	0396G	059949	• Clamp 2x8		
	18	34	0396G	038204 (ISO 7089)	• Washer 4.3		
	20	3	0396G	038225 (ISO 7089)	• Washer 10.5		
	21	3	0396G	059627	• Clamp 1x8		
	22	4	0396G	079614	• Pipe clamp 1x12		
	23	3	0396G	079611	• Pipe clamp 1x8		
	24	4	0396G	079609	• Pipe clamp 2x8		

Applicability: All

SPORTSTAR-A-28-00-00-01B-941A-D

Fig.	Item	Units per assembly / Units of issue	NCAGE	Part Number NATO Stock Number	Nomenclature	*Usable on code assy •MV/Effect	I C Y
1B							
	25	6	0396G	054100 (CSN 02 9310.3)	• Sealing ring 14x18		
	26	2	0396G	057899	• Electrical bonding 3.3x140		
	27	4	0396G	079599	• Pipe clamp 1x8		
	28	4	0396G	076821	• Bushing 8x1		
	29	2	0396G	051158	• Hose T-connection		
	30	1	0396G	080602	• Fuel cock		
	31	1	0396G	766415	• Fuel filter		
	32	AR	0396G	056299	• Fuel hose Super-Flex FL7		
	33	3	0396G	009811 (ISO 7046-2)	• Screw M5x16		
	34	3	0396G	S6 69-07 21	• Fitting		
	35	4	0396G	076950	• Bushing 13x1		
	36	18	0396G	074506	• Hose clamp Cobra 11.0/7 W4		
	37	22	0396G	074508	• Hose clamp Cobra 12.0/8 W4		
	38	1	0396G	750134 (Pierburg 7.21440.51)	• Fuel pump		
	39	1	0396G	081817	• Check valve		
	40	3	0396G	038206 (ISO 7089)	• Washer 6.4		
	41	30	0396G	060333	• Cable tie		
-	42	AR	0396G	079876	• Protective spiral		
	43	2	0396G	011820 (ISO 4762)	• Screw M6x20		

Fig.	Item	Units per assembly / Units of issue	NCAGE	Part Number NATO Stock Number	Nomenclature	*Usable on code assy •MV/Effect	I C Y
1B							
	44	3	0396G	S6 69-08 21	• Hose socket		
	45	3	0396G	055607	• Protecting hose		
	46	AR	0396G	118898 (ASTM A580 COND A)	• Lockwire dia. 0.81 mm (0.032 in)		
	47	1	0396G	739587	• Circuit breaker 2TC2-3		
	48	1	0396G	069135	• Switch illuminated		
	49	4	0396G	739772	• Ring cable eye		
-	50	1	0396G	739773	• Ring cable eye		
	51	2	0396G	068636	• Connector Faston 4.8 (AWG22-16)		
	52	AR	0396G	739681	• Electrical wire AE22		
-	53	AR	0396G	088086	• Shrink tube RNF-3000		
-	54	AR	0396G	088087	• Shrink tube RNF-3000		
	55	10	0396G	060332	• Cable tie		
	56	30	0396G	001691 (ISO 4017)	• Screw M4x10		
	57	4	0396G	001295 (ISO 4017)	• Screw M4x12		
	101	1	0396G	S6 15-01 21	• Screw coupling of fuel pressure sensor		
	102	1	0396G	S6 76-01 21	• Screw coupling		
	103	1	0396G	S6 76-02 21	• Cube		
	130	2	0396G	053899 (CSN 02 9310.2)	• Sealing ring 10x14		
	132	1	0396G	766330 (941780 ROTAX)	• Screw fitting M8x1x17		

Fig.	Item	Units per assembly / Units of issue	NCAGE	Part Number NATO Stock Number	Nomenclature	*Usable on code assy •MV/Effect	I C Y
1B							
	133	10	0396G	766331 (950143 ROTAX)	• Sealing ring 8x13		
	134	1	0396G	766332 (956312 ROTAX)	• Fitting		
	143	1	0396G	007375 (ISO 4762)	• Screw M5x16		
	144	1	0396G	060263	• Pipe clamp 15.9 insulated		
	700	10	0396G	047560 (AVDEL 1691-0410)	• Rivet 3.2x7.9		
-	701	AR	0396G	096227	• Sealant Sabatack 750 black		
-	702	AR	D8908	096249	• Adhesive Loctite 577		
-	703	AR	D8908	096270	• Activator Loctite 7471		
	704	10	0396G	047569	• Rivet 4x9.5		
-	705	AR	0396G	096220	• Adhesive Loctite 243		

Flight clock Mitchell

Illustrated parts data

Table of Contents

	Page
Flight clock Mitchell - Illustrated parts data.....	1

Index of Tables

	Page
1 References.....	1

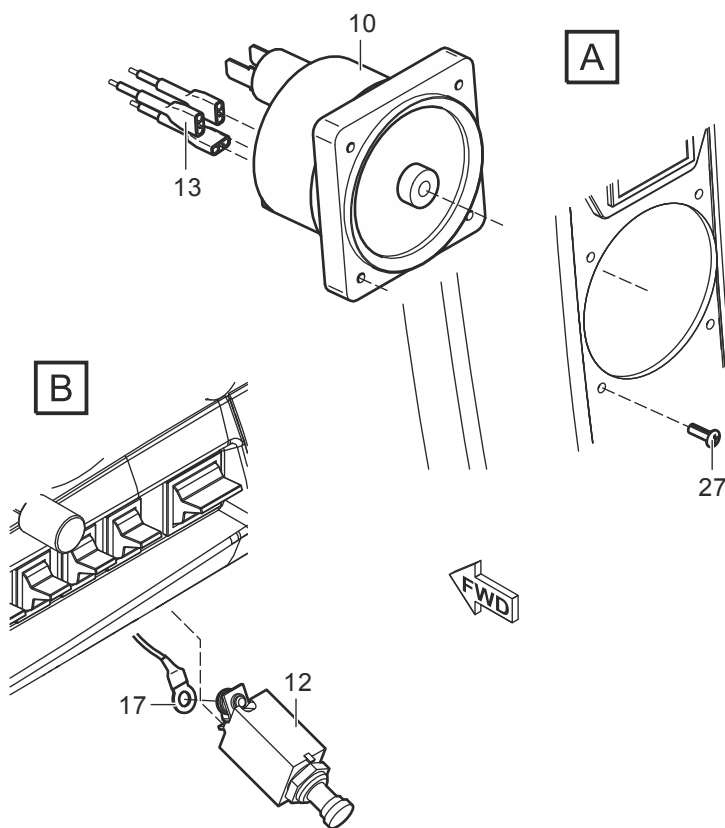
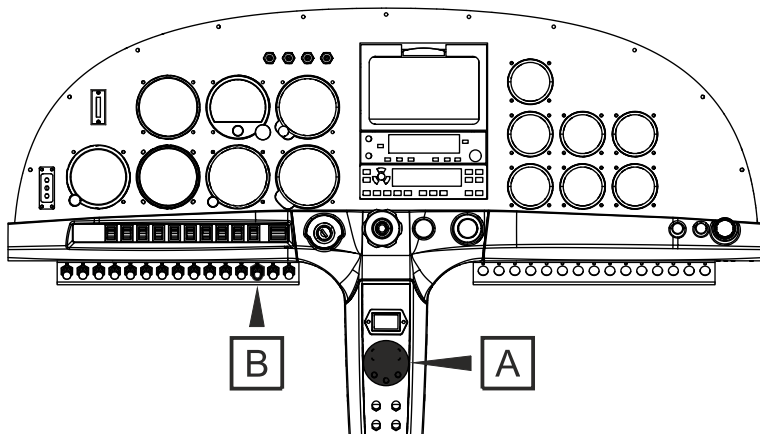
Index of Figures

	Page
1 Flight clock Mitchell.....	2

References

Table 1 References

Data module/Technical publication	Title
None	



ICN-SPORTSTAR-A-31-20-00-E-0396G-00129-A-001-01.CGM
 Figure 1: Flight clock Mitchell

Fig.	Item	Units per assembly / Units of issue	NCAGE	Part Number NATO Stock Number	Nomenclature	*Usable on code assy •MV/Effect	I C Y
------	------	-------------------------------------	-------	-------------------------------	--------------	---------------------------------	-------------

1A	-	0	1	0396G	S7 40-01 01	Flight clock Mitchell	
----	---	---	---	-------	-------------	-----------------------	--

Applicability: All

SPORTSTAR-A-31-20-01-01A-941A-D



Fig.	Item	Units per assembly / Units of issue	NCAGE	Part Number NATO Stock Number	Nomenclature	*Usable on code assy •MV/Effect	I C Y
1A							
	10	1	0396G	082620 (MITCHEL D1-312-5036)	• Flight clock		
	12	1	0396G	739585	• Circuit breaker 2TC2-1		
	13	2	0396G	068637	• Connector Faston 6.3 (AWG22-16)		
	17	4	0396G	739772	• Ring cable eye		
-	20	AR	0396G	739681	• Electrical wire AE22		
-	21	AR	0396G	088086	• Shrink tube RNF-3000		
-	22	AR	0396G	088087	• Shrink tube RNF-3000		
-	24	5	0396G	060332	• Cable tie		
	27	4	0396G	023804	• Screw 6-32x0.38"		

This page has been intentionally left blank.

Flight clock LC-2

Illustrated parts data

Table of Contents	Page
Flight clock LC-2 - Illustrated parts data.....	1

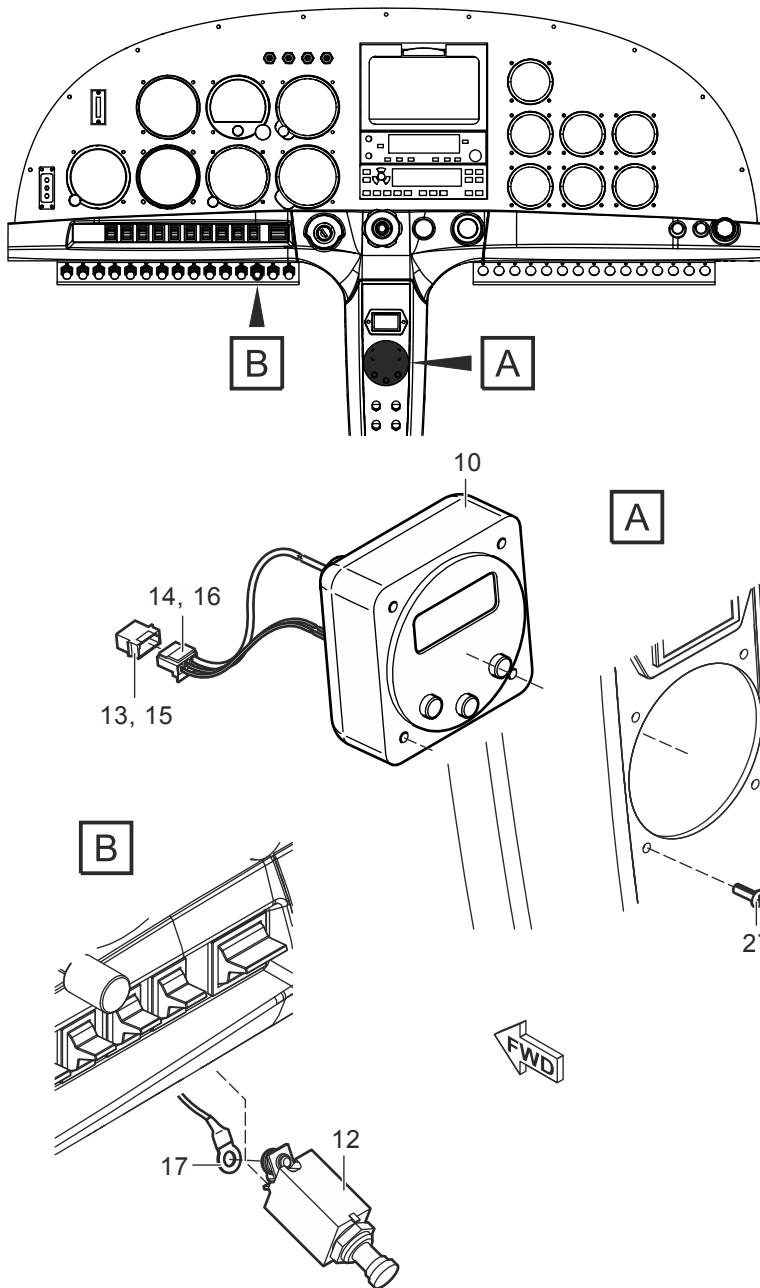
Index of Tables	Page
1 References.....	1

Index of Figures	Page
1 Flight clock LC-2.....	2

References

Table 1 References

Data module/Technical publication	Title
None	



ICN-SPORTSTAR-A-31-20-00-E-0396G-00130-A-001-01.CGM
 Figure 1: Flight clock LC-2

Fig.	Item	Units per assembly / Units of issue	NCAGE	Part Number NATO Stock Number	Nomenclature	*Usable on code assy •MV/Effect	I C Y
1A	-	0	1	0396G	E7 40-01 01	Flight clock LC-2	

Applicability: All

SPORTSTAR-A-31-20-02-01A-941A-D

Fig.	Item	Units per assembly / Units of issue	NCAGE	Part Number NATO Stock Number	Nomenclature	*Usable on code assy •MV/Effect	I C Y
1A							
	10	1	0396G	082620 (ASTRO-TECH AT420000)	• Flight clock		
	12	1	0396G	739585	• Circuit breaker 2TC2-1		
	13	2	0396G	068637	• Connector Faston 6.3 (AWG22-16)		
	17	4	0396G	739772	• Ring cable eye		
-	20	AR	0396G	739681	• Electrical wire AE22		
-	21	AR	0396G	088086	• Shrink tube RNF-3000		
-	22	AR	0396G	088087	• Shrink tube RNF-3000		
-	24	5	0396G	060332	• Cable tie		
	27	4	0396G	023804	• Screw 6-32x0.38"		

This page has been intentionally left blank.

Flight clock SC-5

Illustrated parts data

Table of Contents	Page
Flight clock SC-5 - Illustrated parts data.....	1

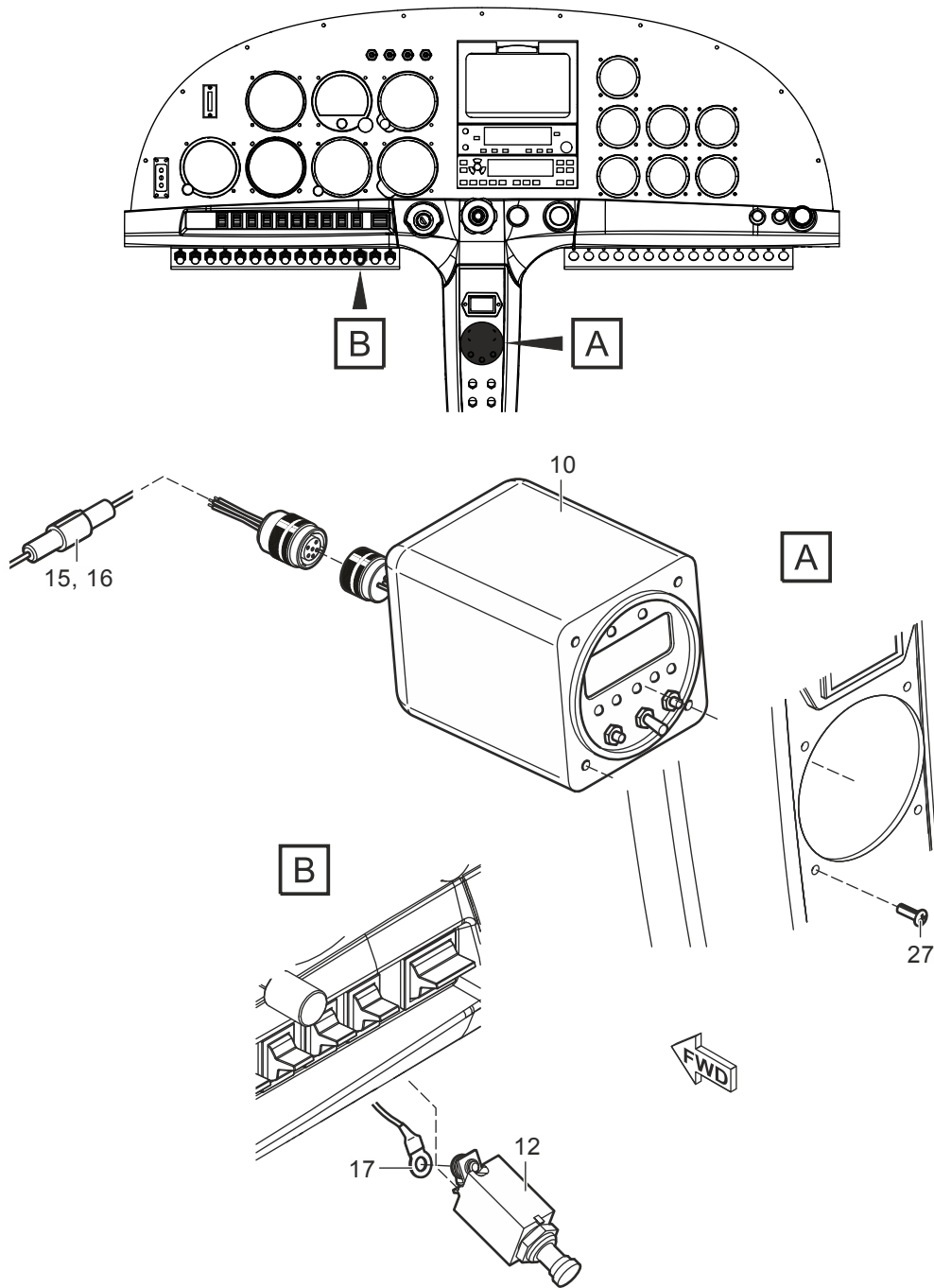
Index of Tables	Page
1 References.....	1

Index of Figures	Page
1 Flight clock SC-5.....	2

References

Table 1 References

Data module/Technical publication	Title
None	



ICN-SPORTSTAR-A-31-20-00-E-0396G-00131-A-001-01.CGM
 Figure 1: Flight clock SC-5

Fig.	Item	Units per assembly / Units of issue	NCAGE	Part Number NATO Stock Number	Nomenclature	*Usable on code assy •MV/Effect	I C Y
1A							
-	0	1	0396G	S7 40-02 01	Flight clock SC-5		
	10	1	0396G	080347	• Flight clock SC-5		
	12	1	0396G	739585	• Circuit breaker 2TC2-1		
-	13	1	0396G	068637	• Connector Faston 6.3 (AWG22-16)		
	15	1	0396G	739633	• Fuse		
	16	1	0396G	064538	• Fuse casing		
	17	4	0396G	739772	• Ring cable eye		
-	20	AR	0396G	739681	• Electrical wire AE22		
-	21	AR	0396G	088086	• Shrink tube RNF-3000		
-	22	AR	0396G	088087	• Shrink tube RNF-3000		
-	24	5	0396G	060332	• Cable tie		
	27	4	0396G	023804	• Screw 6-32x0.38"		

This page has been intentionally left blank.

Canopy closed signalling

Illustrated parts data

Table of Contents	Page
Canopy closed signalling - Illustrated parts data.....	1

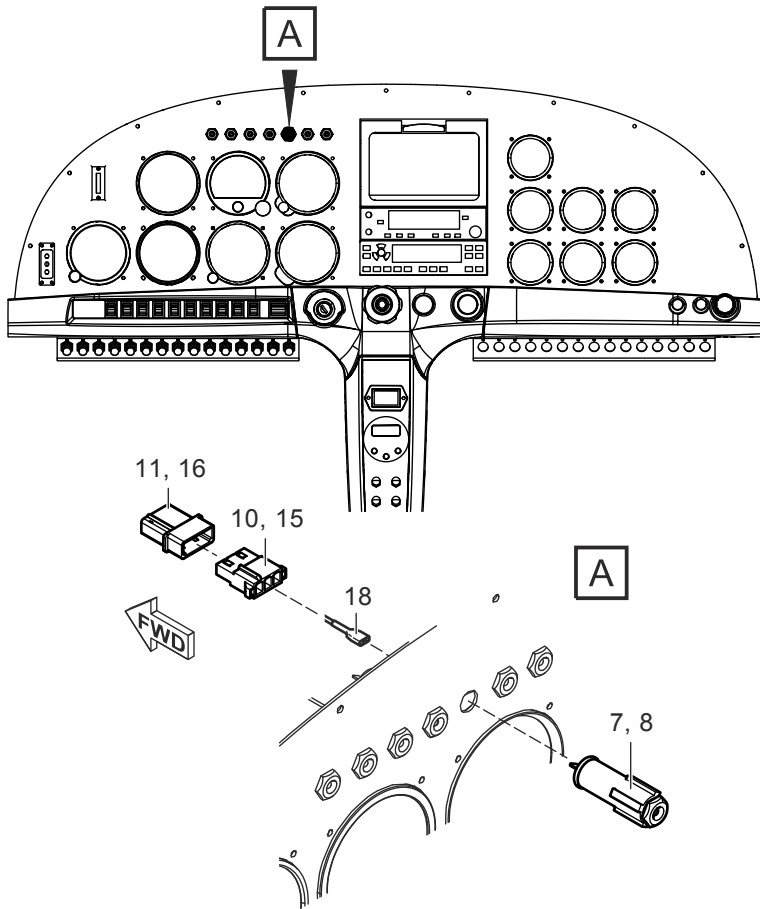
Index of Tables	Page
1 References.....	1

Index of Figures	Page
1 Closed canopy signalling.....	2

References

Table 1 References

Data module/Technical publication	Title
None	



ICN-SPORTSTAR-A-31-50-00-E-0396G-00132-A-001-01.CGM

Figure 1: Closed canopy signalling

Fig.	Item	Units per assembly / Units of issue	NCAGE	Part Number NATO Stock Number	Nomenclature	*Usable on code assy •MV/Effect	I C Y
1A							
-	0	1	0396G	E7 47-01 01	Canopy closed signalling		
	7	1	0396G	768010	• Signaling light - red		
	8	1	0396G	070557	• Bulb		
	10	1	0396G	068642	• Connector - socket type		
	11	1	0396G	068643	• Connector - plug type		
	15	2	0396G	068646	• Socket (AWG22-18)		
	16	3	0396G	068648	• Plug (AWG22-18)		

Fig.	Item	Units per assembly / Units of issue	NCAGE	Part Number NATO Stock Number	Nomenclature	*Usable on code assy •MV/Effect	I C Y
1A							
-	17	2	0396G	739772	• Ring cable eye		
	18	2	0396G	068637	• Connector Faston 6.3 (AWG22-16)		
-	20	AR	0396G	739681	• Electrical wire AE22		
-	21	AR	0396G	088086	• Shrink tube RNF-3000		
-	22	AR	0396G	088087	• Shrink tube RNF-3000		
-	501	AR	0396G	086936	• Adhesive tape		

This page has been intentionally left blank.

Wing flaps retraction signalling

Illustrated parts data

Table of Contents	Page
Wing flaps retraction signalling - Illustrated parts data.....	1

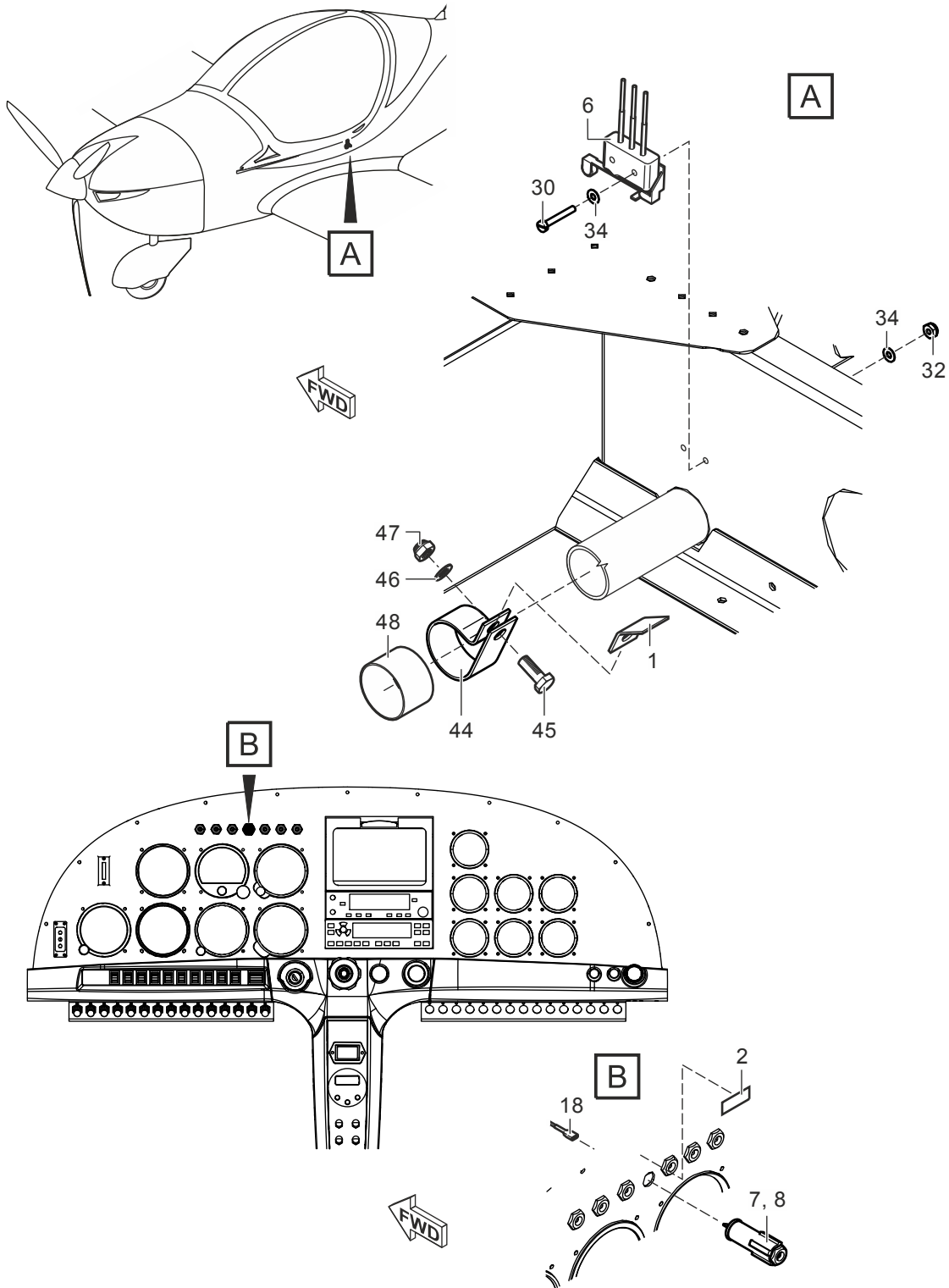
Index of Tables	Page
1 References.....	1

Index of Figures	Page
1 Wing flaps retraction signalling.....	2

References

Table 1 References

Data module/Technical publication	Title
None	



ICN-SPORTSTAR-A-31-50-00-E-0396G-00133-A-001-01.CGM

Figure 1: Wing flaps retraction signalling

Fig.	Item	Units per assembly / Units of issue	NCAGE	Part Number NATO Stock Number	Nomenclature	*Usable on code assy •MV/Effect	I C Y
1A							
-	0	1	0396G	E7 47-50 01	Wing flaps retraction signalling		
	1	1	0396G	E7 47-50 21	• Lever		
	2	1	0396G	E8 01-19 01_001	• Placard FLAPS		
	6	1	0396G	069130	• Microswitch		
	7	1	0396G	768008	• Signaling light - orange		
	8	1	0396G	070557	• Bulb		
-	17	2	0396G	739772	• Ring cable eye		
	18	2	0396G	068637	• Connector Faston 6.3 (AWG22-16)		
-	20	AR	0396G	739681	• Electrical wire AE22		
-	21	AR	0396G	088086	• Shrink tube RNF-3000		
-	22	AR	0396G	088087	• Shrink tube RNF-3000		
-	25	15	0396G	060332	• Cable tie		
-	27	5	0396G	060465	• Self-adhesive clamp		
	30	2	0396G	003072 (ISO 1207)	• Screw M2x12		
	32	2	0396G	035403 (DIN 985)	• Nut M2		
	34	4	0396G	038242 (ISO 7089)	• Washer 2.2		
	44	1	0396G	059750 (CSN 02 2706.1)	• Clamp 1x20		
	45	1	0396G	001295 (ISO 4017)	• Screw M4x12		
	46	1	0396G	038204 (ISO 7089)	• Washer 4.3		

Fig.	Item	Units per assembly / Units of issue	NCAGE	Part Number NATO Stock Number	Nomenclature	*Usable on code assy •MV/Effect	I C Y
1A							
	47	1	0396G	033850 (DIN 980 V)	• Nut M4		
	48	AR	0396G	086920	• Adhesive tape		

Parking brake signalling

Illustrated parts data

Table of Contents	Page
Parking brake signalling - Illustrated parts data.....	1

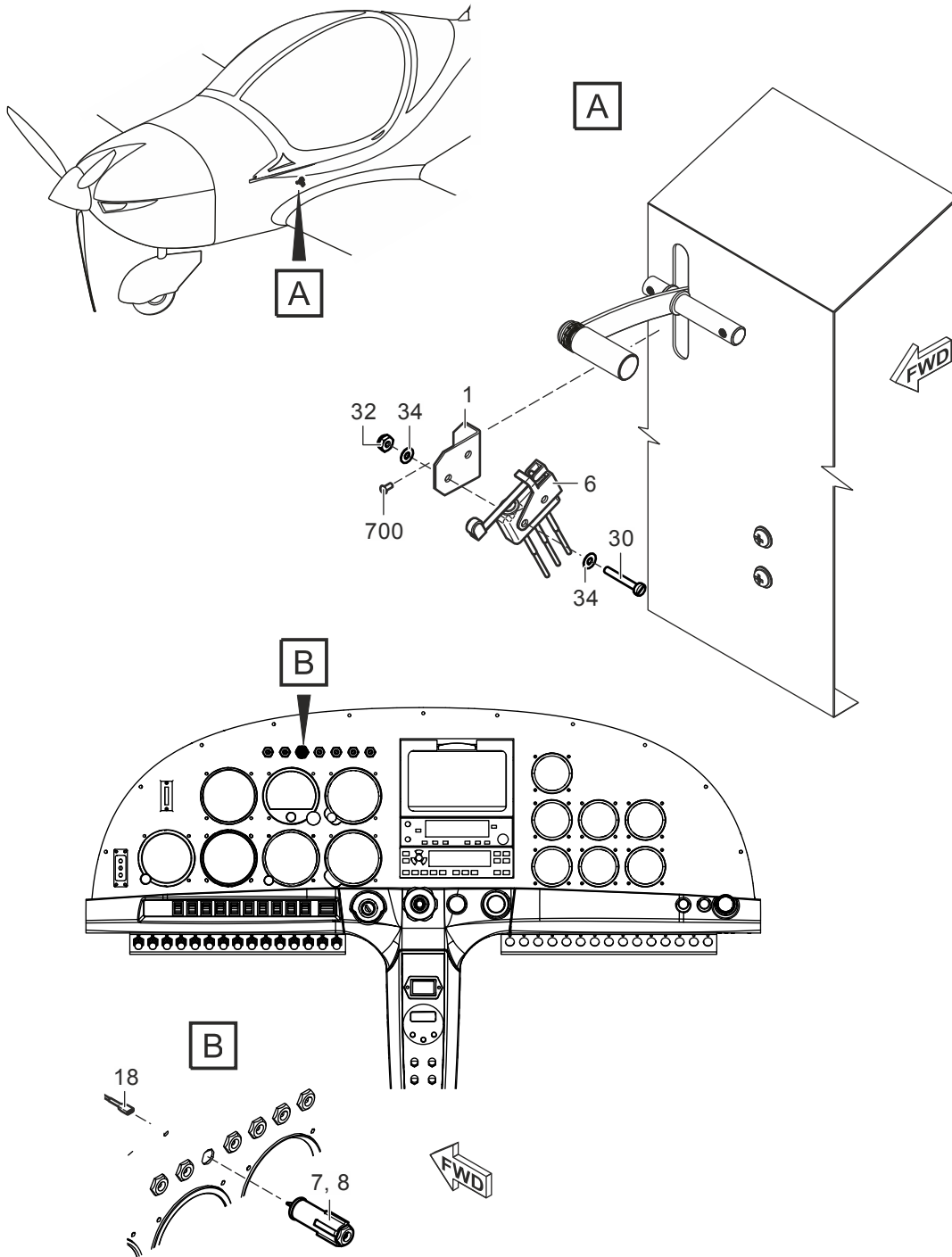
Index of Tables	Page
1 References.....	1

Index of Figures	Page
1 Parking brake signalling.....	2

References

Table 1 References

Data module/Technical publication	Title
None	



ICN-SPORTSTAR-A-31-50-00-E-0396G-00134-A-001-01.CGM

Figure 1: Parking brake signalling

Fig.	Item	Units per assembly / Units of issue	NCAGE	Part Number NATO Stock Number	Nomenclature	*Usable on code assy •MV/Effect	I C Y
1A							
-	0	1	0396G	S7 47-60 01	Parking brake signalling		
	1	1	0396G	S5 45-03 21	• Bracket		
	6	1	0396G	069130	• Microswitch		
	7	1	0396G	768008	• Signaling light - orange		
	8	1	0396G	070557	• Bulb		
-	17	2	0396G	739772	• Ring cable eye		
	18	2	0396G	068637	• Connector Faston 6.3 (AWG22-16)		
-	20	AR	0396G	739681	• Electrical wire AE22		
-	21	AR	0396G	088086	• Shrink tube RNF-3000		
-	22	AR	0396G	088087	• Shrink tube RNF-3000		
-	25	15	0396G	060332	• Cable tie		
-	27	5	0396G	060465	• Self-adhesive clamp		
	30	2	0396G	003072 (ISO 1207)	• Screw M2x12		
	32	2	0396G	035403 (DIN 985)	• Nut M2		
	34	4	0396G	038242 (ISO 7089)	• Washer 2.2		
	700	2	0396G	047560 (AVDEL 1691-0410)	• Rivet 3.2x7.9		

This page has been intentionally left blank.

Main landing gear and doors

Illustrated parts data

Table of Contents	Page
Main landing gear and doors - Illustrated parts data.....	1

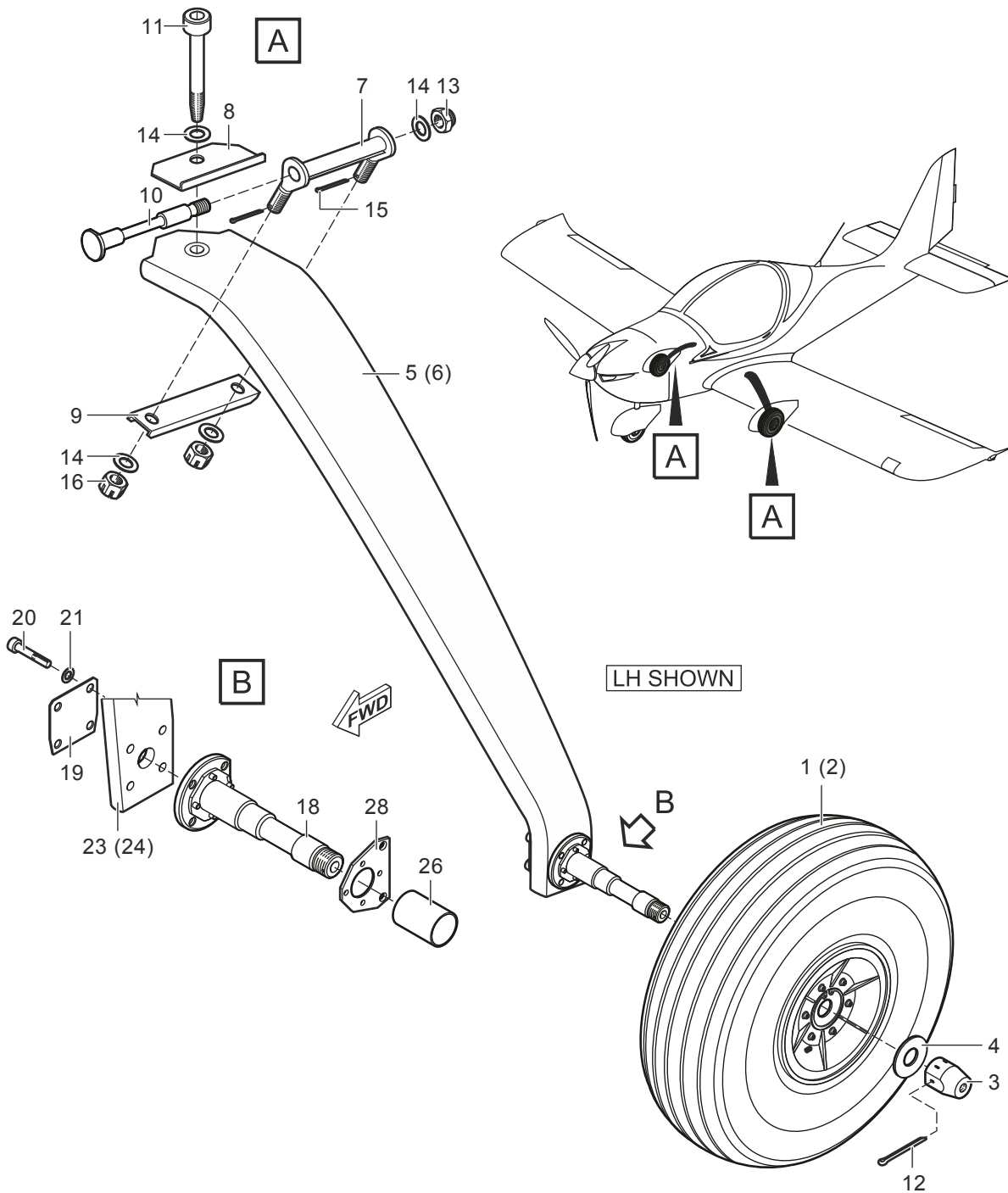
Index of Tables	Page
1 References.....	1

Index of Figures	Page
1 Main landing gear.....	2

References

Table 1 References

Data module/Technical publication	Title
None	



ICN-SPORTSTAR-A-32-10-00-E-0396G-00074-A-001-01.CGM
 Figure 1: Main landing gear

Fig.	Item	Units per assembly / Units of issue	NCAGE	Part Number NATO Stock Number	Nomenclature	*Usable on code assy •MV/Effect	I C Y
1A							
-	0	2	0396G	S5 00-06 01	Main landing gear		
	1	1	0396G	S5 10-00 01	• Wheel with brake - left		
	2	1	0396G	S5 10-00 02	• Wheel with brake - right		
	3	2	0396G	E5 20-10 21	• Nut		
	4	2	0396G	765478	• Washer		
	5	1	0396G	S5 10-10 01	• Assembled landing gear leg - left		
	6	1	0396G	S5 10-10 02	• Assembled landing gear leg - right		
	7	2	0396G	SG1 02-93 01	• Yoke		
	8	2	0396G	SG1 02-54 21	• Pad		
	9	2	0396G	SG1 02-90 21	• Pad		
	10	2	0396G	S5 00-21 21	• Bolt		
	11	2	0396G	S5 10-04 21	• Bolt		
	12	2	0396G	040351 (ISO 1234)	• Cotter pin 4x40		
	13	4	0396G	032350 (CSN 02 1413.44)	• Nut M8		
	14	8	0396G	038208 (ISO 7089)	• Washer 8.4		
	15	4	0396G	039310 (ISO 1234)	• Cotter pin 2x20		
	16	2	0396G	033870 (ISO 7042)	• Nut M8		
	18	2	0396G	S5 10-11 21	• Wheel axle		
	19	2	0396G	E5 80-03 21	• Pad		

Fig.	Item	Units per assembly / Units of issue	NCAGE	Part Number NATO Stock Number	Nomenclature	*Usable on code assy •MV/Effect	I C Y
1A							
	20	8	0396G	S 20-15 21	• Screw		
	21	8	0396G	038692 (ISO 7089)	• Washer 8.4		
	23	1	0396G	S5 08-09 01	• Landing gear leg - left		
	24	1	0396G	S5 08-09 02	• Landing gear leg - right		
	26	2	0396G	S5 10-12 21	• Spacer		
	28	2	0396G	S5 10-03 21	• Brake holder		

Main landing gear and doors

Illustrated parts data

Table of Contents	Page
Main landing gear and doors - Illustrated parts data.....	1

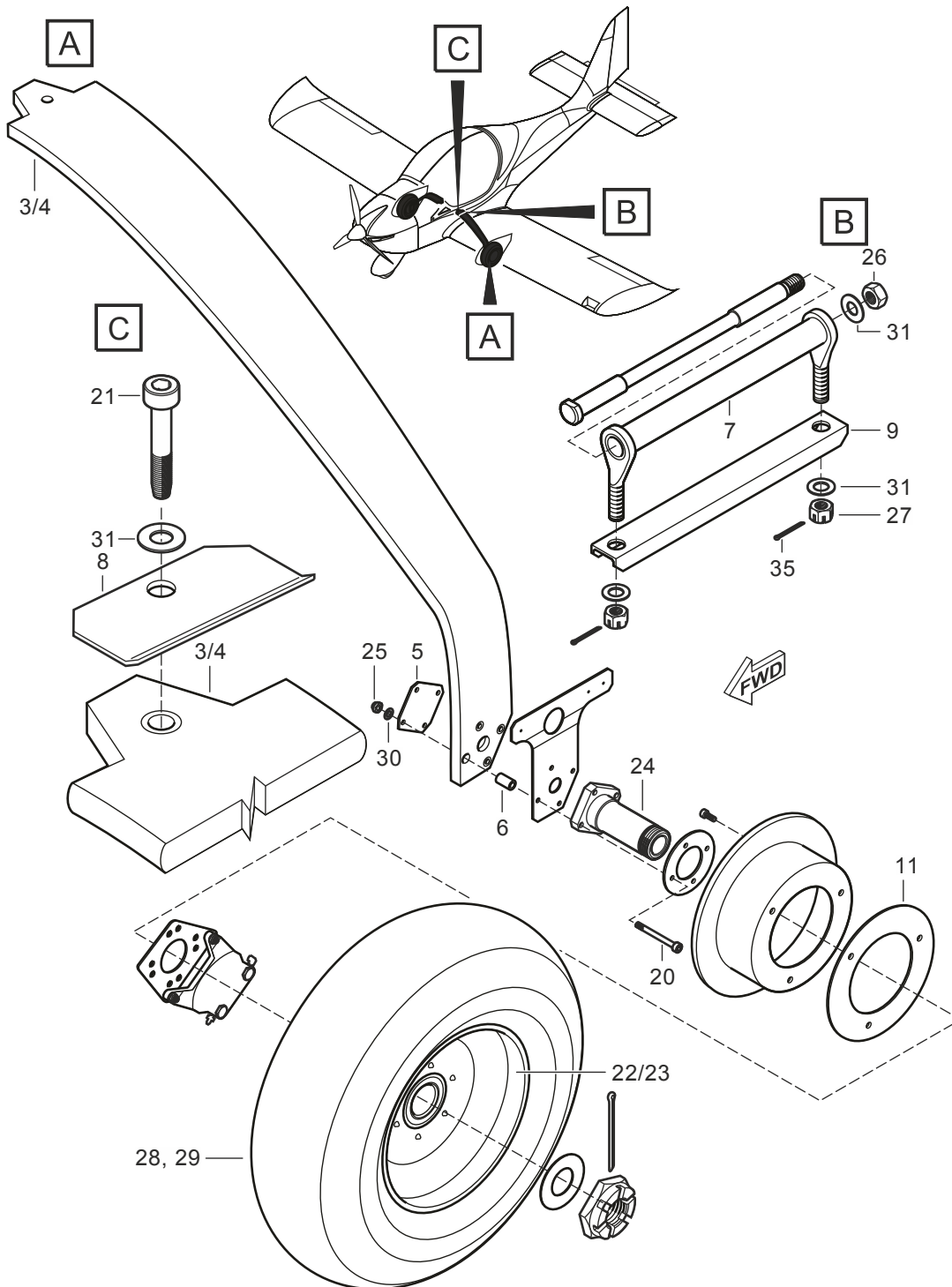
Index of Tables	Page
1 References.....	1

Index of Figures	Page
1 Main landing gear - Matco wheels and brakes.....	2

References

Table 1 References

Data module/Technical publication	Title
None	



ICN-SPORTSTAR-A-32-10-00-E-0396G-00208-A-000-01.CGM

Figure 1: Main landing gear - Matco wheels and brakes

Fig.	Item	Units per assembly / Units of issue	NCAGE	Part Number NATO Stock Number	Nomenclature	*Usable on code assy •MV/Effect	I C Y
1B							
-	0	2	0396G	S5 00-30 01	Main landing gear - Matco wheels and brakes		
	3	1	0396G	S5 08-09 01	• Landing gear leg - left		
	4	1	0396G	S5 08-09 02	• Landing gear leg - right		
	5	2	0396G	E5 80-03 21	• Pad		
	6	8	0396G	S5 00-32 21	• Reduction		
	7	2	0396G	SG1 02-93 01	• Yoke		
	8	2	0396G	SG1 02-54 21	• Pad		
	9	2	0396G	SG1 02-90 21	• Pad		
	10	2	0396G	S5 00-21 21	• Bolt		
	11	2	0396G	S5 00-37 21	• Insert		
	20	2	0396G	11839 (ISO 4762)	• Bolt M6x60		
	21	2	0396G	S5 10-04 21	• Bolt		
	22	1	0396G	089958	• Matco wheel with brake left		
	23	1	0396G	089959	• Matco wheel with brake right		
	24	2	0396G	089961	• Wheel axle		
	25	8	0396G	035390 (DIN 934)	• Nut M6		
	26	2	0396G	033870 (ISO 7042)	• Nut M8		
	27	4	0396G	032350 (CSN 02 1413.44)	• Nut M8		
	28	2	0396G	764013	• Tire tube		
	29	2	0396G	764012	• Tire Cheng Shin		

Fig.	Item	Units per assembly / Units of issue	NCAGE	Part Number NATO Stock Number	Nomenclature	*Usable on code assy •MV/Effect	I C Y
1B							
	30	8	0396G	038694	• Washer 6.5		
	31	8	0396G	038208 (ISO 7089)	• Washer 8.4		
	35	4	0396G	039310 (ISO 1234)	• Cotter pin 2x20		
-	698	AR	D8908	096270	• Activator Loctite 7471		
-	699	AR	0396G	096220	• Adhesive Loctite 243		

Main landing gear wheel pant

Illustrated parts data

Table of Contents

	Page
Main landing gear wheel pant - Illustrated parts data.....	1

Index of Tables

	Page
1 References.....	1

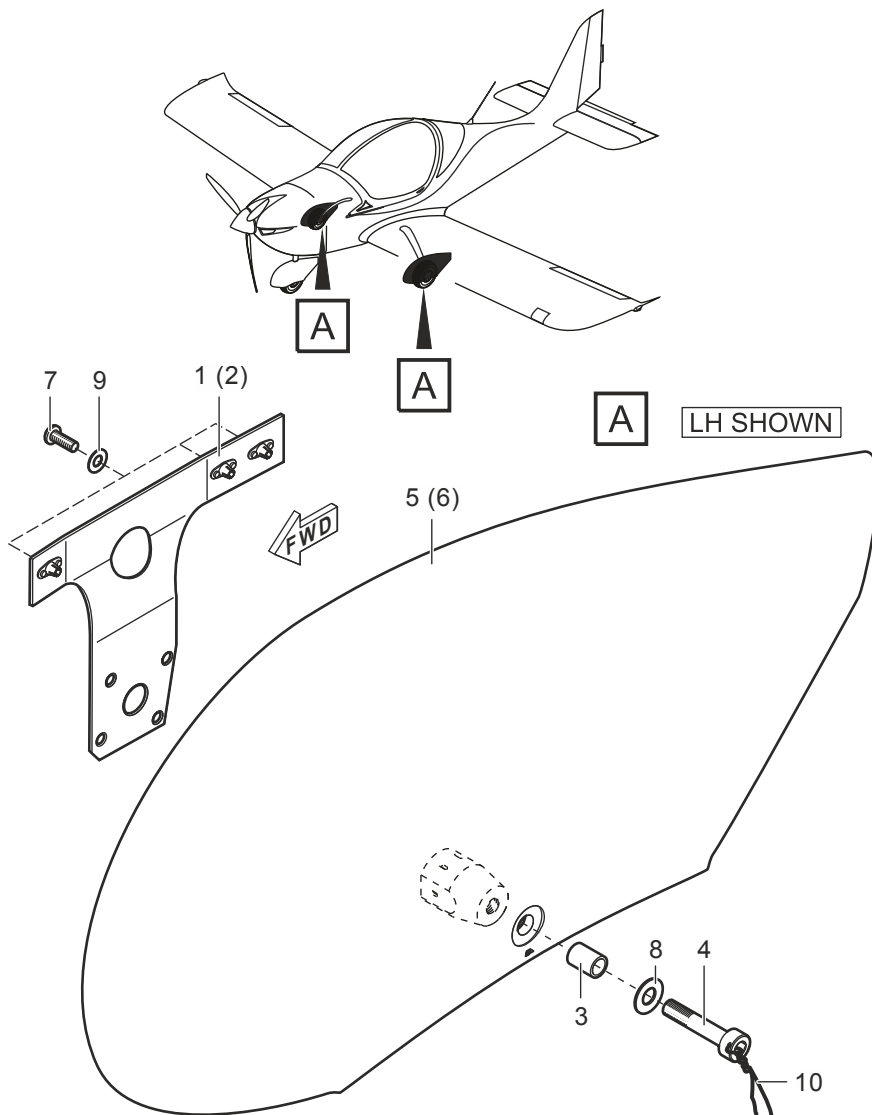
Index of Figures

	Page
1 Main wheel pant.....	2

References

Table 1 References

Data module/Technical publication	Title
None	



ICN-SPORTSTAR-A-32-10-00-E-0396G-00075-A-001-01.CGM

Figure 1: Main wheel pant

Fig.	Item	Units per assembly / Units of issue	NCAGE	Part Number NATO Stock Number	Nomenclature	*Usable on code assy •MV/Effect	I C Y
1A							
-	0	2	0396G	S5 30-00 01	Main wheel pant		
	1	1	0396G	S5 30-02 01	• Pant holder - left		
	2	1	0396G	S5 30-02 02	• Pant holder - right		

Applicability: All

SPORTSTAR-A-32-10-01-01A-941A-D

Fig.	Item	Units per assembly / Units of issue	NCAGE	Part Number NATO Stock Number	Nomenclature	*Usable on code assy •MV/Effect	I C Y
1A							
	3	2	0396G	E5 20-11 21	• Spacer		
	4	2	0396G	765247	• Bolt		
	5	1	0396G	S5 30-03 01	• Wheel pant - left		
	6	1	0396G	S5 30-03 02	• Wheel pant - right		
	7	6	0396G	010985	• Screw M5x16		
	8	2	0396G	038208 (ISO 7089)	• Washer 8.4		
	9	6	0396G	038244	• Washer 5.3		

This page has been intentionally left blank.

Main landing gear wheel pant

Illustrated parts data

Table of Contents	Page
Main landing gear wheel pant - Illustrated parts data.....	1

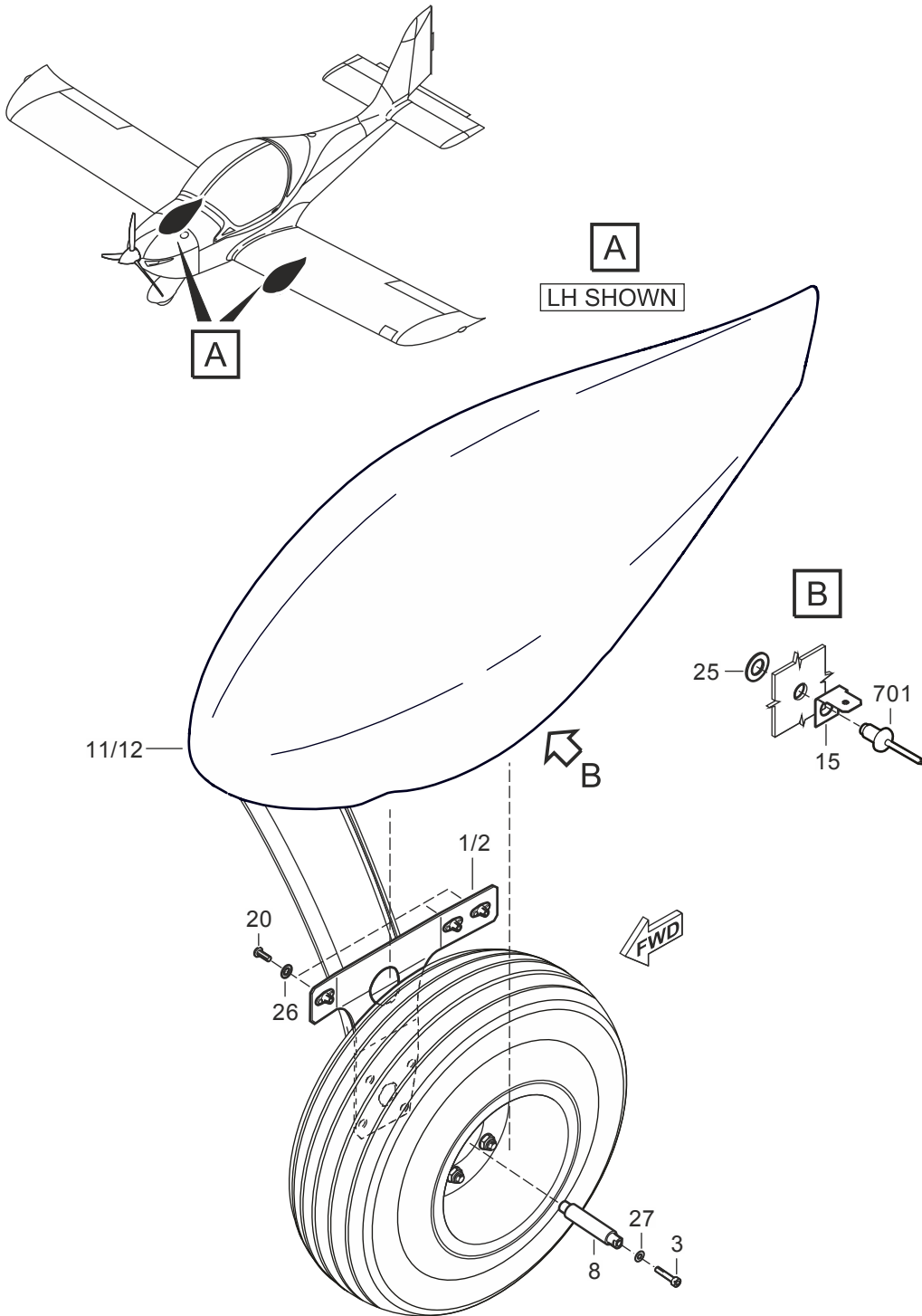
Index of Tables	Page
1 References.....	1

Index of Figures	Page
1 Main landing gear wheel pant - Matco wheel and brake.....	2

References

Table 1 References

Data module/Technical publication	Title
None	



ICN-SPORTSTAR-A-32-10-00-E-0396G-00191-A-000-01.CGM

Figure 1: Main landing gear wheel part - Matco wheel and brake

Fig.	Item	Units per assembly / Units of issue	NCAGE	Part Number NATO Stock Number	Nomenclature	*Usable on code assy •MV/Effect	I C Y
1B							
-	0	1	0396G	S5 30-10 01	Main landing gear wheel pant - Matco wheel and brake		
	1	1	0396G	S5 30-02 01	• Pant holder - left		
	2	1	0396G	S5 30-02 02	• Pant holder - right		
	3	2	0396G	S5 30-11 21	• Screw		
	8	2	0396G	S5 00-35 21	• Extender		
	11	1	0396G	S5 30-03 01	• Wheel pant - left		
	12	1	0396G	S5 30-03 02	• Wheel pant - right		
	15	2	0396G	069717	• Connector Faston 6.3x0.8		
	20	6	0396G	010985	• Screw M5x16		
	25	2	0396G	036600	• Washer 4.3		
	26	6	0396G	038244	• Washer 5.3		
	27	2	0396G	038208 (ISO 7089)	• Washer 8.4		
	701	2	0396G	047570 (AVDEL 1691-0516)	• Rivet 4x12.7		

This page has been intentionally left blank.

Nose landing gear and doors

Illustrated parts data

Table of Contents	Page
Nose landing gear and doors - Illustrated parts data.....	1

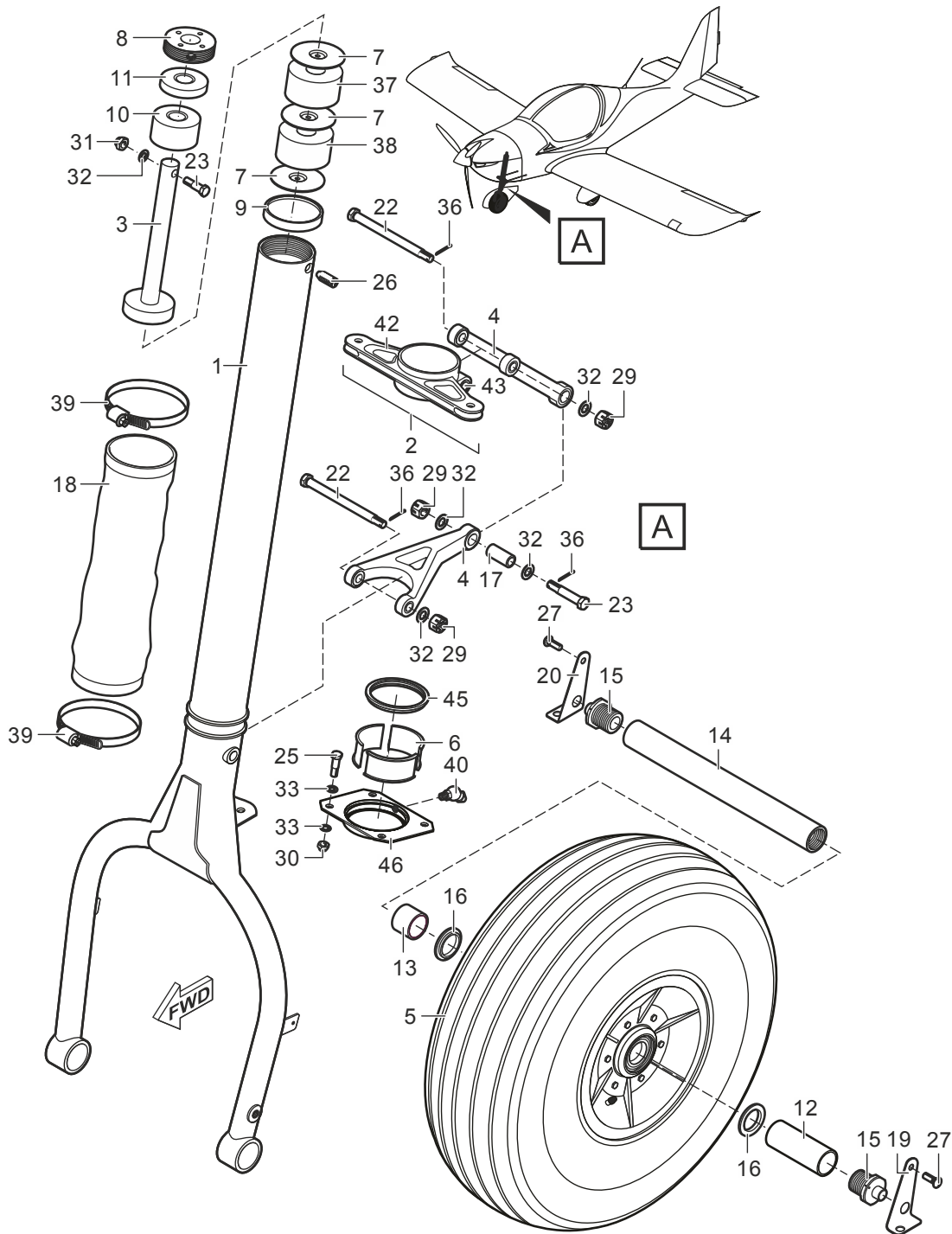
Index of Tables	Page
1 References.....	1

Index of Figures	Page
1 Nose landing gear.....	2

References

Table 1 References

Data module/Technical publication	Title
None	



ICN-SPORTSTAR-A-32-20-00-E-0396G-00076-A-001-01.CGM
 Figure 1: Nose landing gear

Fig.	Item	Units per assembly / Units of issue	NCAGE	Part Number NATO Stock Number	Nomenclature	*Usable on code assy •MV/Effect	I C Y
1A							
-	0	1	0396G	S5 00-03 01	Nose landing gear		
	1	1	0396G	G5 00-01 01	• Landing gear leg		
	2	1	0396G	S5 02-04 01	• Lever - assembled		
	3	1	0396G	G5 00-03 01	• End stop		
	4	2	0396G	G5 00-04 01	• Torque arm		
	5	1	0396G	S5 51-59 01	• Nose wheel		
	6	1	0396G	G5 00-02 21	• Bushing		
	7	13	0396G	G5 00-04 21	• Insert		
	8	1	0396G	G5 00-05 21	• Nut		
	9	1	0396G	G5 00-06 21	• Plug		
	10	1	0396G	G5 00-07 21	• Pad		
	11	1	0396G	G5 00-08 21	• Pad		
	12	1	0396G	S5 00-09 21	• Spacer		
	13	1	0396G	S5 00-10 21	• Spacer		
	14	1	0396G	SG5 00-12 21	• Wheel axle		
	15	2	0396G	SG5 21-01 21	• Axle screw		
	16	2	0396G	765478	• Washer		
	17	1	0396G	G5 00-13 21	• Bushing		
	18	1	0396G	G5 00-16 01	• Sleeve		
	19	1	0396G	S5 01-11 21	• Towing eye - left		
	20	1	0396G	S5 01-11 22	• Towing eye - right		
	22	2	0396G	018731	• Bolt 8x94		
	23	2	0396G	018201	• Screw 8x42		

Applicability: All

SPORTSTAR-A-32-20-00-01A-941A-D

Fig.	Item	Units per assembly / Units of issue	NCAGE	Part Number NATO Stock Number	Nomenclature	*Usable on code assy •MV/Effect	I C Y
1A							
	25	4	0396G	002053 (ISO 4017)	• Screw M6x20		
	26	1	0396G	011750 (DIN 553)	• Screw M4x8		
	27	2	0396G	015983	• Screw M6x12		
	29	3	0396G	032350 (CSN 02 1413.44)	• Nut M8		
	30	4	0396G	033860 (DIN 980 V)	• Nut M6		
	31	1	0396G	033870 (ISO 7042)	• Nut M8		
	32	6	0396G	038208 (ISO 7089)	• Washer 8.4		
	33	8	0396G	038206 (ISO 7089)	• Washer 6.4		
	36	3	0396G	039310 (ISO 1234)	• Cotter pin 2x20		
	37	2	0396G	768063	• Rubber block		
	38	12	0396G	768062	• Rubber block		
	39	2	0396G	055621 (DIN 3017)	• Hose clamp		
	40	1	0396G	075570 (DIN 71412B)	• Grease nipple		
	42	1	0396G	S5 02-04 21	• Lever		
	43	2	0396G	G5 04-03 21	• Bushing		
	45	1	0396G	G5 00-03 21	• Ring		
	46	1	0396G	G5 00-01 21	• Bushing		

Nose landing wheel pant

Illustrated parts data

Table of Contents	Page
Nose landing wheel pant - Illustrated parts data.....	1

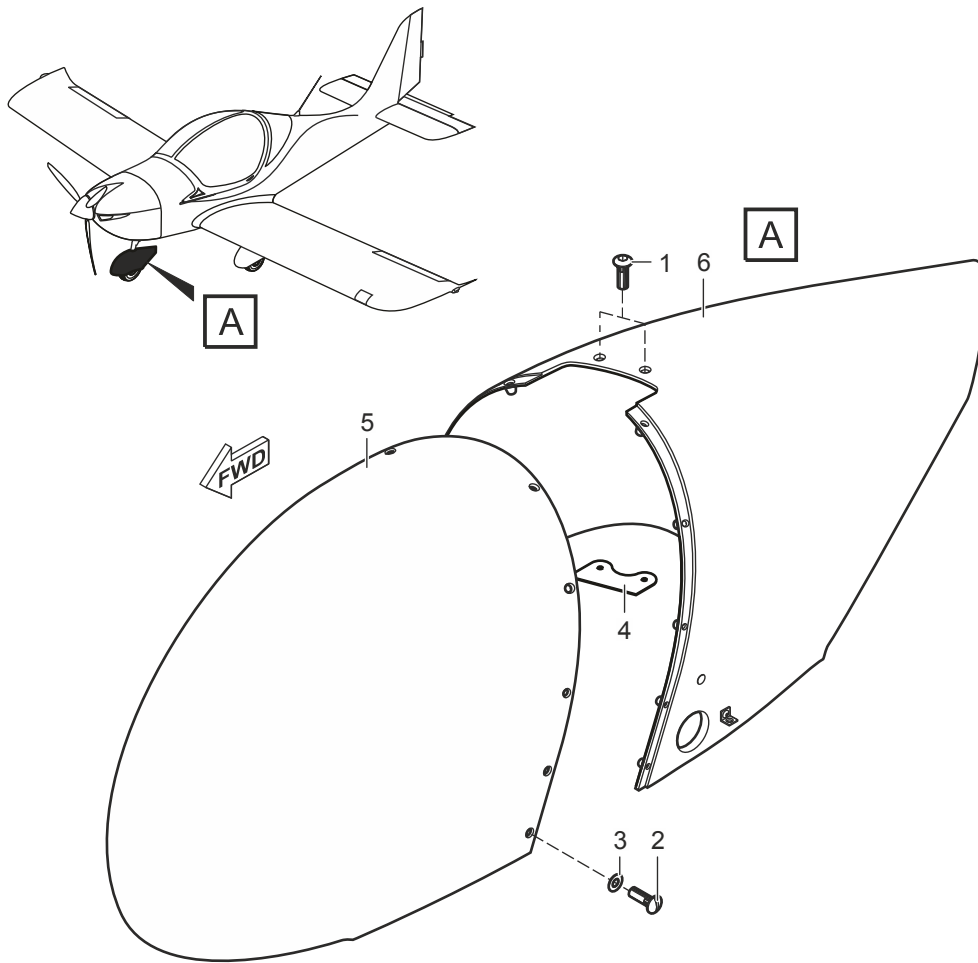
Index of Tables	Page
1 References.....	1

Index of Figures	Page
1 Nose wheel pant.....	2

References

Table 1 References

Data module/Technical publication	Title
None	



ICN-SPORTSTAR-A-32-20-00-E-0396G-00077-A-001-01.CGM

Figure 1: Nose wheel pant

Fig.	Item	Units per assembly / Units of issue	NCAGE	Part Number NATO Stock Number	Nomenclature	*Usable on code assy •MV/Effect	I C Y
1A							
-	0	1	0396G	S5 30-00 01	Main wheel pant		
	1	2	0396G	010984 (ISO 7380-1)	• Screw M6x20		
	2	10	0396G	004985	• Screw M4x12		
	3	10	0396G	038237 (ISO 7089)	• Washer 3.7		
	4	AR	0396G	085897	• Rubber pad		

Applicability: All

SPORTSTAR-A-32-20-01-01A-941A-D

Fig.	Item	Units per assembly / Units of issue	NCAGE	Part Number NATO Stock Number	Nomenclature	*Usable on code assy •MV/Effect	I C Y
1A							
	5	1	0396G	S5 00-10 01	• Nose wheel pant - front		
	6	1	0396G	S5 00-11 01	• Nose wheel pant - rear		

This page has been intentionally left blank.

Nose wheel

Illustrated parts data

Table of Contents

Page

Nose wheel - Illustrated parts data.....	1
--	---

Index of Tables

Page

1 References.....	1
------------------------	---

Index of Figures

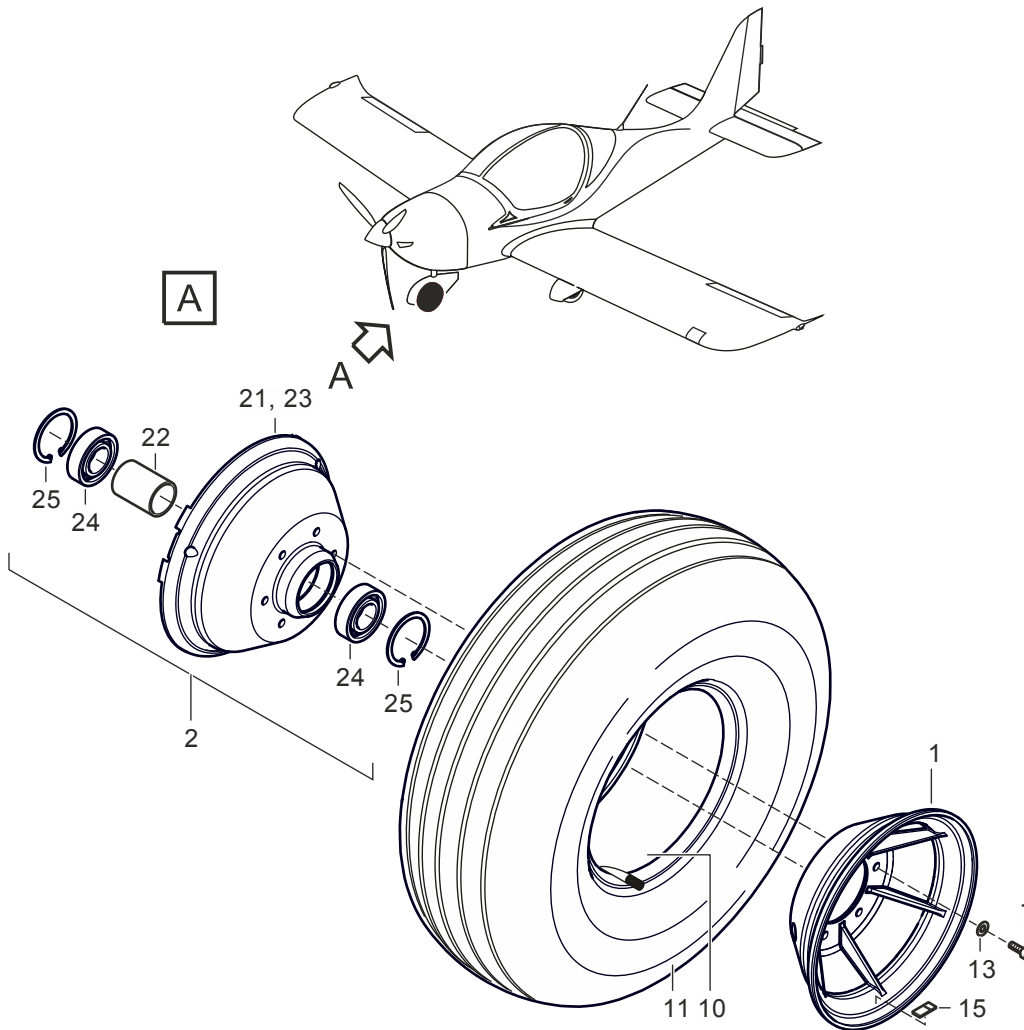
Page

1 Landing gear wheel.....	2
--------------------------------	---

References

Table 1 References

Data module/Technical publication	Title
None	



ICN-SPORTSTAR-A-32-40-00-E-0396G-00078-A-001-01.CGM

Figure 1: Landing gear wheel

Fig.	Item	Units per assembly / Units of issue	NCAGE	Part Number NATO Stock Number	Nomenclature	*Usable on code assy •MV/Effect	I C Y
1A							
-	0	3	0396G	S5 51-59 01	Nose wheel		
	1	1	0396G	765253	• Outer wheel disk		
	2	1	0396G	S5 10-01 01	• Inner wheel disk - assembled		
	21	1	0396G	765228	•• Inner wheel disk		

Fig.	Item	Units per assembly / Units of issue	NCAGE	Part Number NATO Stock Number	Nomenclature	*Usable on code assy •MV/Effect	I C Y
1A							
	22	1	0396G	765108	•• Spacer		
	23	6	0396G	053420	•• Threaded insert		
	24	2	0396G	048453	•• Bearing		
	25	2	0396G	075276 (DIN 472)	•• Securing ring 42		
	7	1	0396G	764013	• Tire tube		
	10	6	0396G	036747 (ISO 7093)	• Washer 6.4		
	11	1	0396G	764012	• Tire Cheng Shin		
	13	1	0396G	708379	• Balance weights - 5 g, 10 g		
	15	1	0396G	765105	• Brake disc		
-	100	1	0396G	872196	• Industry marker - red		

This page has been intentionally left blank.

Goodyear tire installation

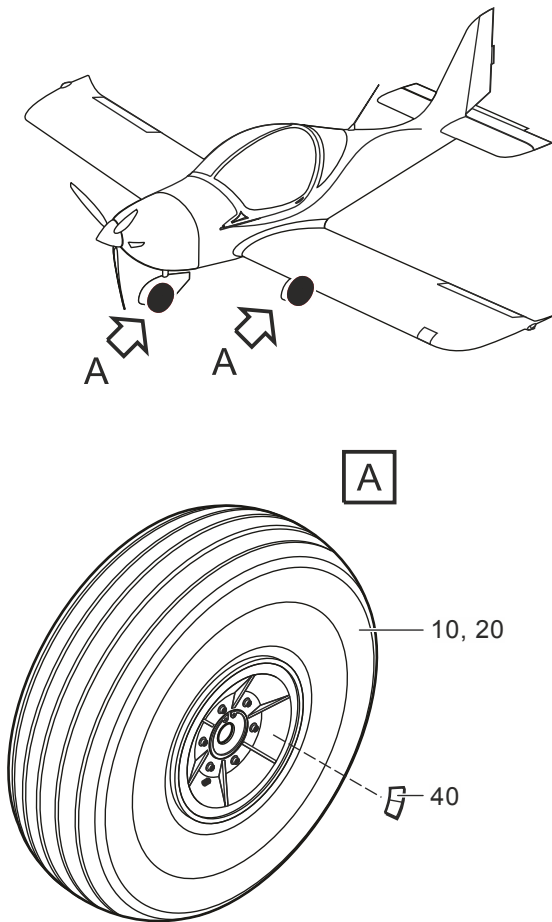
Illustrated parts data

Table of Contents	Page
Goodyear tire installation - Illustrated parts data.....	1
Index of Tables	Page
1 References.....	1
Index of Figures	Page
1 Goodyear tire installation.....	2

References

Table 1 References

Data module/Technical publication	Title
None	



ICN-SPORTSTAR-A-32-40-00-E-0396G-00073-A-001-01.CGM

Figure 1: Goodyear tire installation

Fig.	Item	Units per assembly / Units of issue	NCAGE	Part Number NATO Stock Number	Nomenclature	*Usable on code assy •MV/Effect	I C Y
1A							
-	0	1	0396G	S5 00-40 01	Goodyear tire installation		
	10	3	0396G	764006	• Goodyear tire		
	20	3	0396G	764005	• Tire tube		
	40	1	0396G	708379	• Balance weights - 5 g, 10 g		
-	41	AR	0396G	118898 (ASTM A580 COND A)	• Lockwire dia. 0.81 mm (0.032 in)		

Wheel with brake

Illustrated parts data

Table of Contents

	Page
Wheel with brake - Illustrated parts data.....	1

Index of Tables

	Page
1 References.....	1

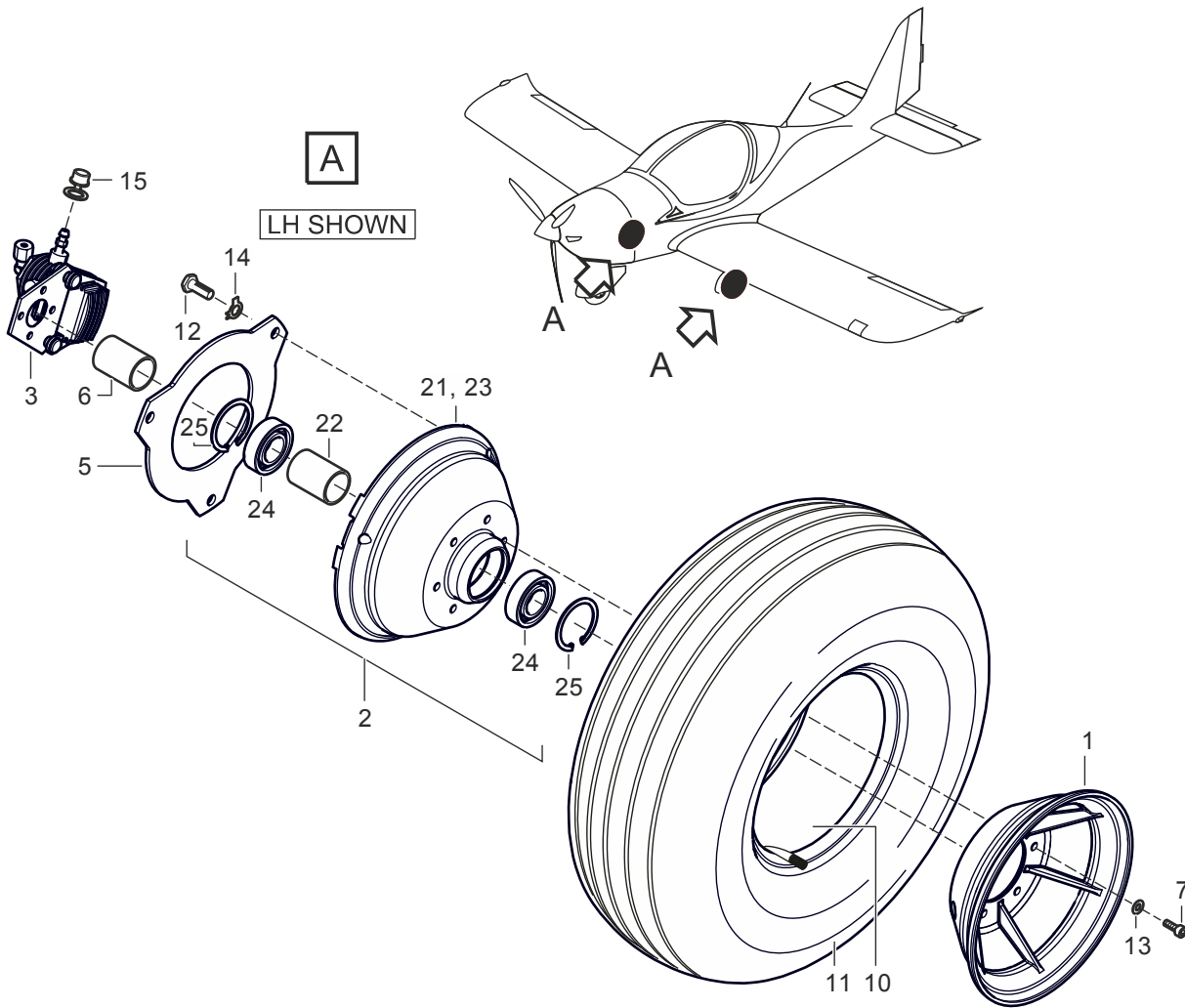
Index of Figures

	Page
1 Wheel with brake.....	2

References

Table 1 References

Data module/Technical publication	Title
None	



ICN-SPORTSTAR-A-32-40-00-E-0396G-00178-A-000-01.CGM

Figure 1: Wheel with brake

Fig.	Item	Units per assembly / Units of issue	NCAGE	Part Number NATO Stock Number	Nomenclature	*Usable on code assy •MV/Effect	I C Y
1A							
-	0	1	0396G	S5 10-00 01/02	Wheel with brake left / right		
	1	1	0396G	765253	• Outer wheel disk		
	2	1	0396G	S5 10-01 01	• Inner wheel disk - assembled		
	21	1	0396G	S5 10-01 21	•• Inner wheel disk		

Fig.	Item	Units per assembly / Units of issue	NCAGE	Part Number NATO Stock Number	Nomenclature	*Usable on code assy •MV/Effect	I C Y
1A							
	22	1	0396G	765108	• • Spacer		
	23	6	0396G	053420	• • Threaded insert		
	24	2	0396G	048453	• • Bearing		
	25	2	0396G	075276 (DIN 472)	• • Securing ring 42		
	3	1	0396G	S5 10-03 01 / 02	• Wheel brake left / right		
	5	1	0396G	765105	• Brake disc		
	6	1	0396G	S5 10-12 21	• Spacer		
	7	6	0396G	765255	• Screw		
	10	1	0396G	764013	• Tire tube		
	11	1	0396G	764012	• Tire Cheng Shin		
	12	3	0396G	002132 (ISO 4017)	• Screw M8x12		
	13	6	0396G	036747 (ISO 7093)	• Washer 6.4		
	14	3	0396G	038241	• Washer 8.4		
	15	1	0396G	050873	• Bleed screw cover		
-	100	1	0396G	872196	• Industry marker - red		

This page has been intentionally left blank.

Wheel with brake - Matco

Illustrated parts data

Table of Contents	Page
Wheel with brake - Matco - Illustrated parts data.....	1

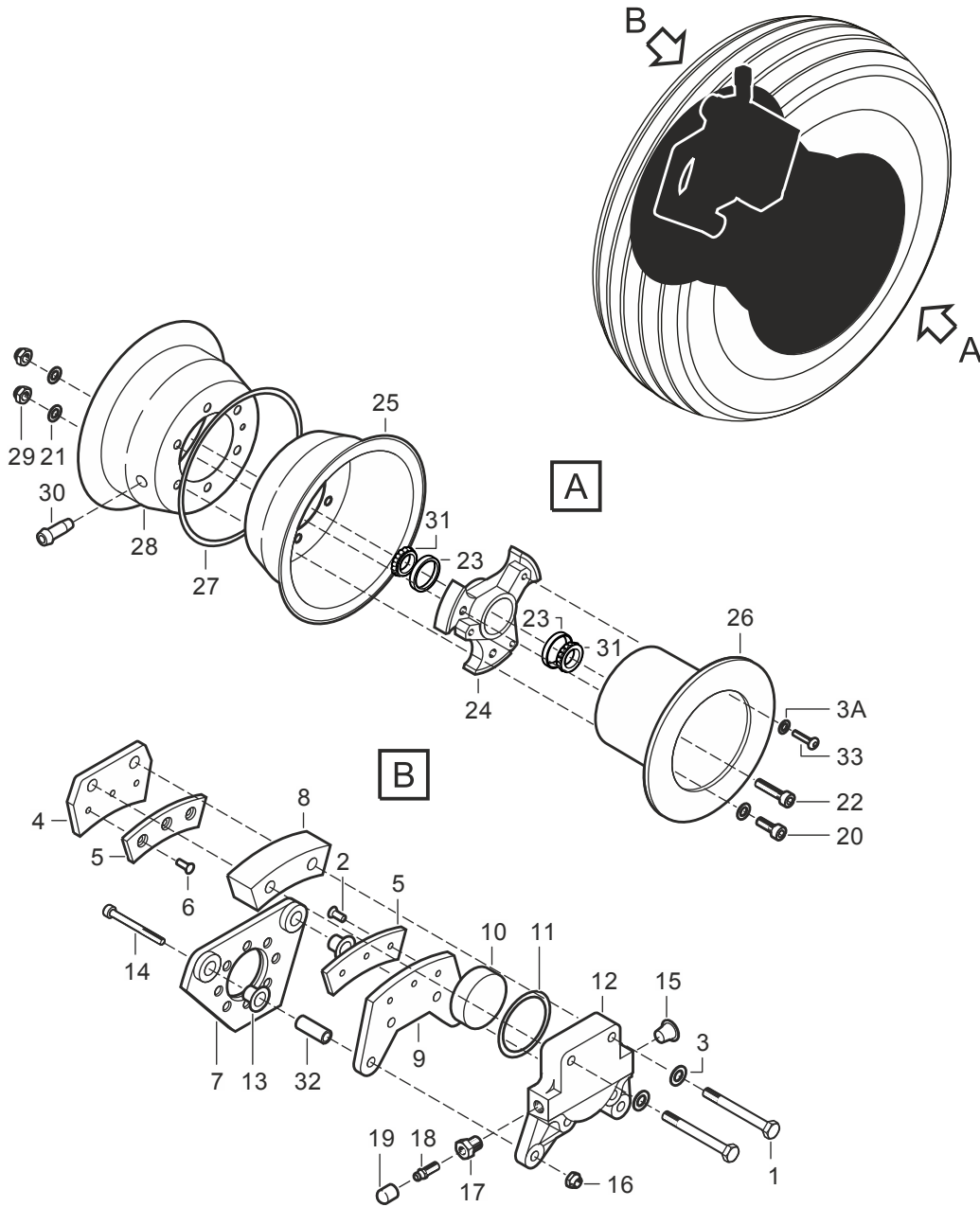
Index of Tables	Page
1 References.....	1

Index of Figures	Page
1 Wheel with brake - Matco.....	2

References

Table 1 References

Data module/Technical publication	Title
None	



ICN-SPORTSTAR-A-32-40-00-E-0396G-00214-A-000-01.CGM

Figure 1: Wheel with brake - Matco

Fig.	Item	Units per assembly / Units of issue	NCAGE	Part Number NATO Stock Number	Nomenclature	*Usable on code assy •MV/Effect	I C Y
------	------	-------------------------------------	-------	-------------------------------	--------------	---------------------------------	-------------

1A

-	0	1	0396G	089958	Matco wheel with brake left		
---	---	---	-------	--------	-----------------------------	--	--

Applicability: All

SPORTSTAR-A-32-40-04-01A-941A-D

Fig.	Item	Units per assembly / Units of issue	NCAGE	Part Number NATO Stock Number	Nomenclature	*Usable on code assy •MV/Effect	I C Y
1A							
	1	2	0396G	090180	• Bolt, Hex Head		
	2	3	0396G	090181	• Rivet		
	3	2	0396G	090182	• Washer		
	NaN	3	0396G	090183	• Washer		
	4	1	0396G	090184	• Stationary Brake Shoe		
	5	2	0396G	090185	• Lining		
	6	3	0396G	090186	• Brass Rivet		
	7	1	0396G	090187	• Brake Plate E1.38		
	8	1	0396G	090188	• Spacer		
	9	1	0396G	090189	• Movable Brake Shoe		
	10	1	0396G	090190	• Piston		
	11	1	0396G	090191	• O-Ring Buna-N		
	12	1	0396G	090192	• Caliper Housing		
	14	2	0396G	090193	• Bolt, SHCS		
	15	1	0396G	090194	• Caplug		
	16	2	0396G	090195	• Lock Nut		
	17	1	0396G	090196	• Brake Bleeder Seat		
	18	1	0396G	090197	• Brake Bleeder Valve		
	19	1	0396G	090198	• Dust Plug		
	20	3	0396G	090199	• Bolt, SHCS		
	21	9	0396G	090200	• Washer		
	22	3	0396G	090201	• Bolt, SHCS		
	23	2	0396G	090202	• Bearing Race, 1.25		

Fig.	Item	Units per assembly / Units of issue	NCAGE	Part Number NATO Stock Number	Nomenclature	*Usable on code assy •MV/Effect	I C Y
1A							
	24	1	0396G	090203	• Hub, for 1.25 Bearing		
	25	1	0396G	090204	• Wheel, Back Half		
	26	1	0396G	090205	• Brake Disc, 5" E Series		
	27	1	0396G	090206	• O-Ring Buna-N (Optional)		
	28	1	0396G	090207	• Wheel, Valve Half		
	29	6	0396G	090208	• Lock Nut		
	30	1	0396G	090209	• Valve Stem (Optional)		
	31	2	0396G	090210	• Roller Bearing 1.25		
	32	2	0396G	090211	• Spacer		
	33	3	0396G	090212	• Bolt, BHCS		

Brake system

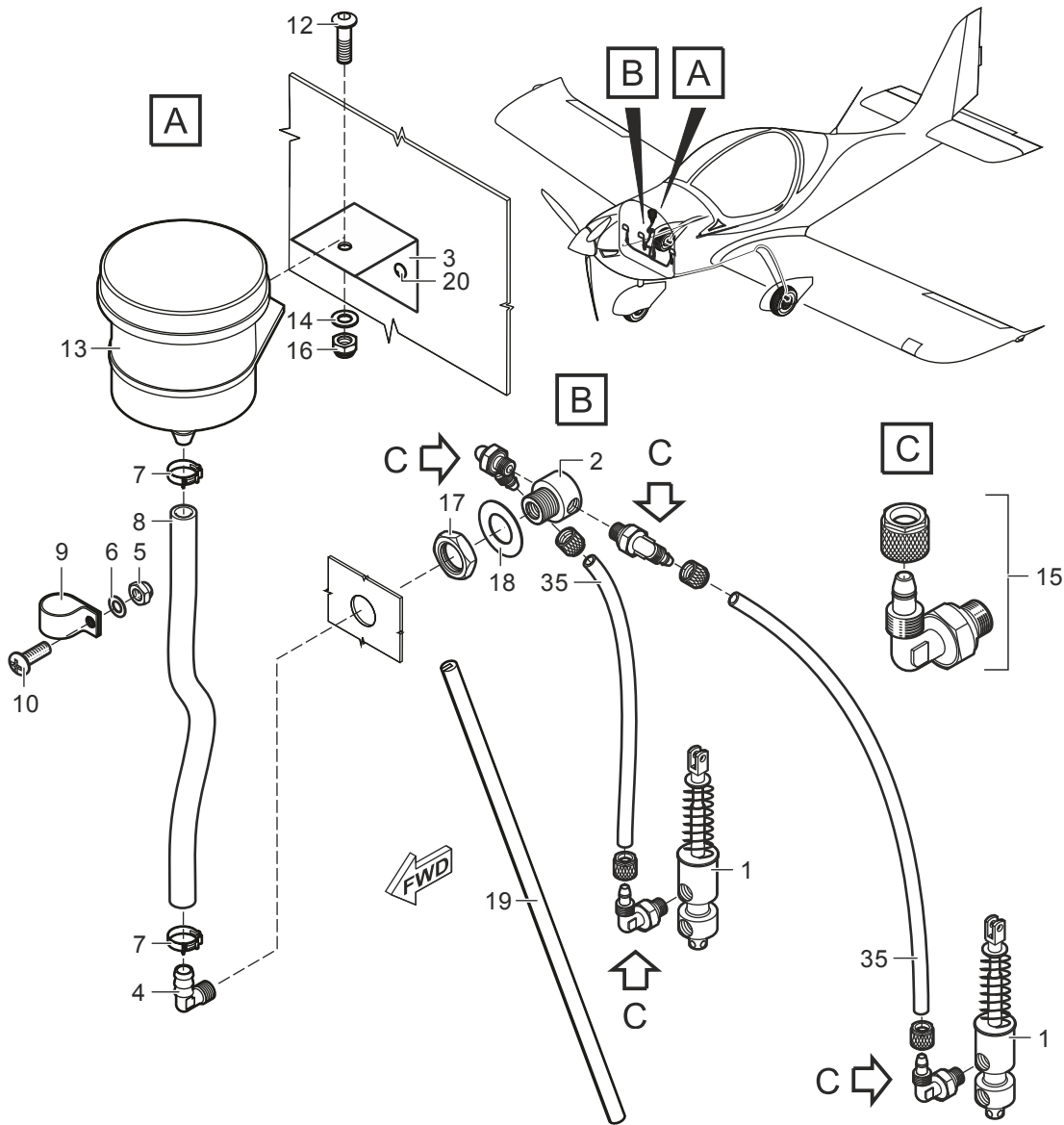
Illustrated parts data

Table of Contents	Page
Brake system - Illustrated parts data.....	1
Index of Tables	Page
1 References.....	1
Index of Figures	Page
1 Brake system.....	2

References

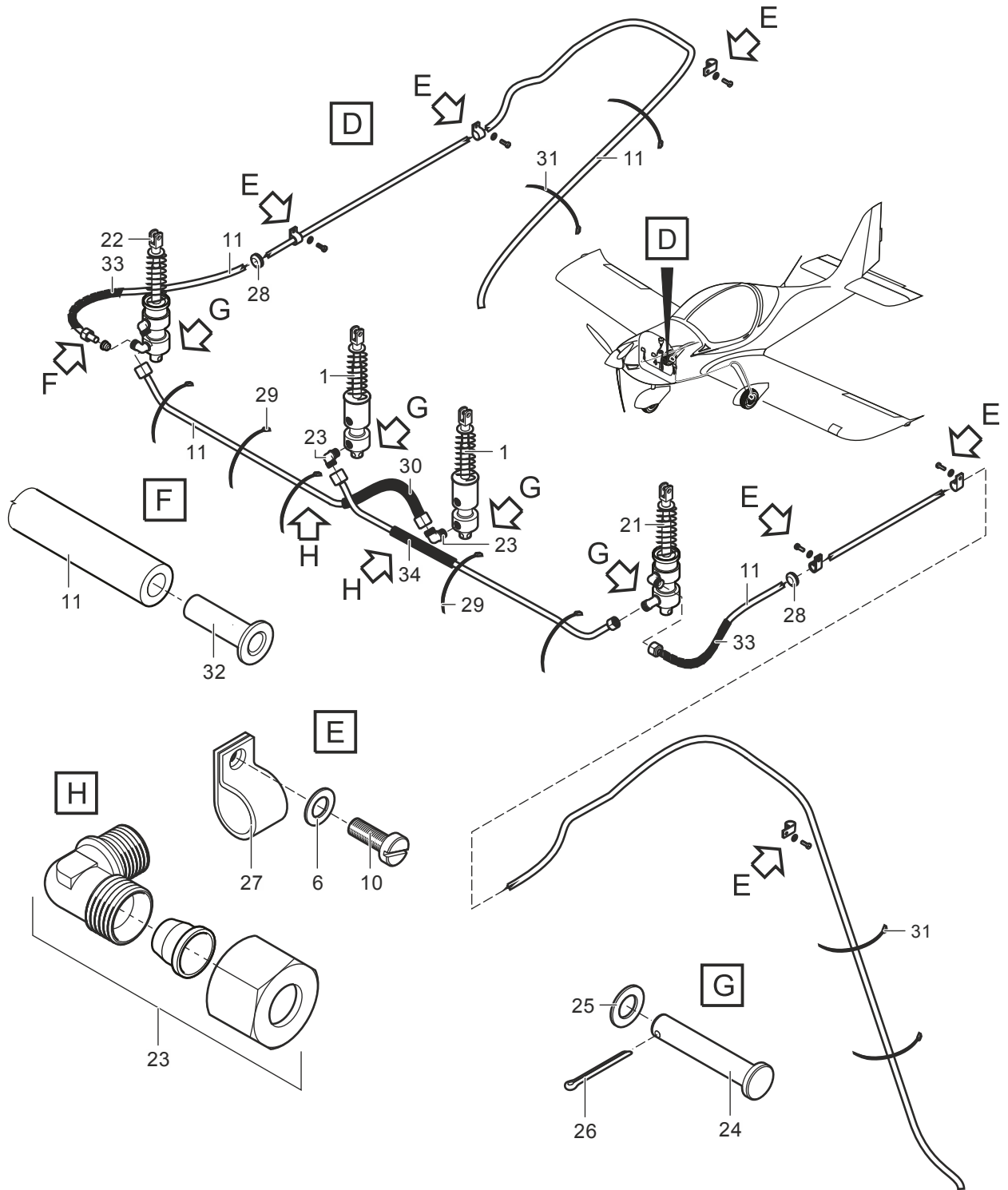
Table 1 References

Data module/Technical publication	Title
None	



ICN-SPORTSTAR-A-32-40-00-E-0396G-00079-A-001-01.CGM

Figure 1: Brake system (Sheet 1 of 2)



ICN-SPORTSTAR-A-32-40-00-E-0396G-00080-A-001-01.CGM

Figure 1: Brake system (Sheet 2 of 2)

Fig.	Item	Units per assembly / Units of issue	NCAGE	Part Number NATO Stock Number	Nomenclature	*Usable on code assy •MV/Effect	I C Y
1A							
-	0	1	0396G	S5 00-51 01	Brake system		
	1	2	0396G	S5 20-01 01	• Inner brake pump		
	2	1	0396G	E5 00-61 21	• Connection		
	3	1	0396G	S5 51-01 21	• Bracket for brake fluid bottle		
	4	1	0396G	051295	• Pipe connection		
	5	1	0396G	033850 (DIN 980 V)	• Nut M4		
	6	7	0396G	038204 (ISO 7089)	• Washer 4.3		
	7	2	0396G	074508	• Hose clamp Cobra 12.0/8 W4		
	8	AR	0396G	056465	• Hose		
	9	1	0396G	059870 (CSN 02 2706.5)	• Clamp 1x12		
	10	7	0396G	004985	• Screw M4x12		
	11	AR	0396G	765054	• Brake hose		
	12	1	0396G	011004 (ISO 7380-1)	• Screw M6x16		
	13	1	0396G	089978	• Brake fluid bottle		
	14	2	0396G	038206 (ISO 7089)	• Washer 6.4		
	15	4	0396G	765081	• Pipe connection		
	16	1	0396G	033860 (DIN 980 V)	• Nut M6		
	17	1	0396G	031920 (DIN 439 B)	• Nut M16x1		

Fig.	Item	Units per assembly / Units of issue	NCAGE	Part Number NATO Stock Number	Nomenclature	*Usable on code assy •MV/Effect	I C Y
1A							
	18	1	0396G	036345 (ISO 7089)	• Washer 17		
	19	0	0396G	086866	• Rubber strap		
	20	3	0396G	047554 (AVDEL BE61-0408)	• Rivet 3.2x6.4		
	21	1	0396G	E5 10-40 01	• Outer brake pump - left		
	22	1	0396G	E5 10-40 02	• Outer brake pump - right		
	23	2	0396G	765056 (CSN 137723)	• Pipe connection		
	24	4	0396G	028698	• Pin 5x20		
	25	4	0396G	038193 (ISO 7089)	• Washer 5.3		
	26	4	0396G	040002 (ISO 1234)	• Cotter pin 1.6x12		
	27	6	0396G	059602	• Clamp 1x6		
	28	2	0396G	076803	• Bushing 4.5x1		
	29	4	0396G	060332	• Cable tie		
	30	AR	0396G	079875	• Protective spiral		
	31	4	0396G	060371	• Cable tie		
	32	8	0396G	047578 (DIN 7340 A)	• Rivet 2x8		
	33	AR	0396G	079876	• Protective spiral		
	34	AR	0396G	083960	• Tube 8x1		
	35	AR	0396G	056546	• Hose Aerotec PA		
-	500	AR	0396G	096215	• Adhesive Loctite 648		



Fig.	Item	Units per assembly / Units of issue	NCAGE	Part Number NATO Stock Number	Nomenclature	*Usable on code assy •MV/Effect	I C Y
1A							
-	501	AR	0396G	096227	• Sealant Sabatack 750 black		
-	502	AR	0396G	096257	• Sealant Emfimastic PU 50 white		
-	503	AR	0396G	096243	• Adhesive Loctite 406		

Brake system

Illustrated parts data

Table of Contents	Page
Brake system - Illustrated parts data.....	1

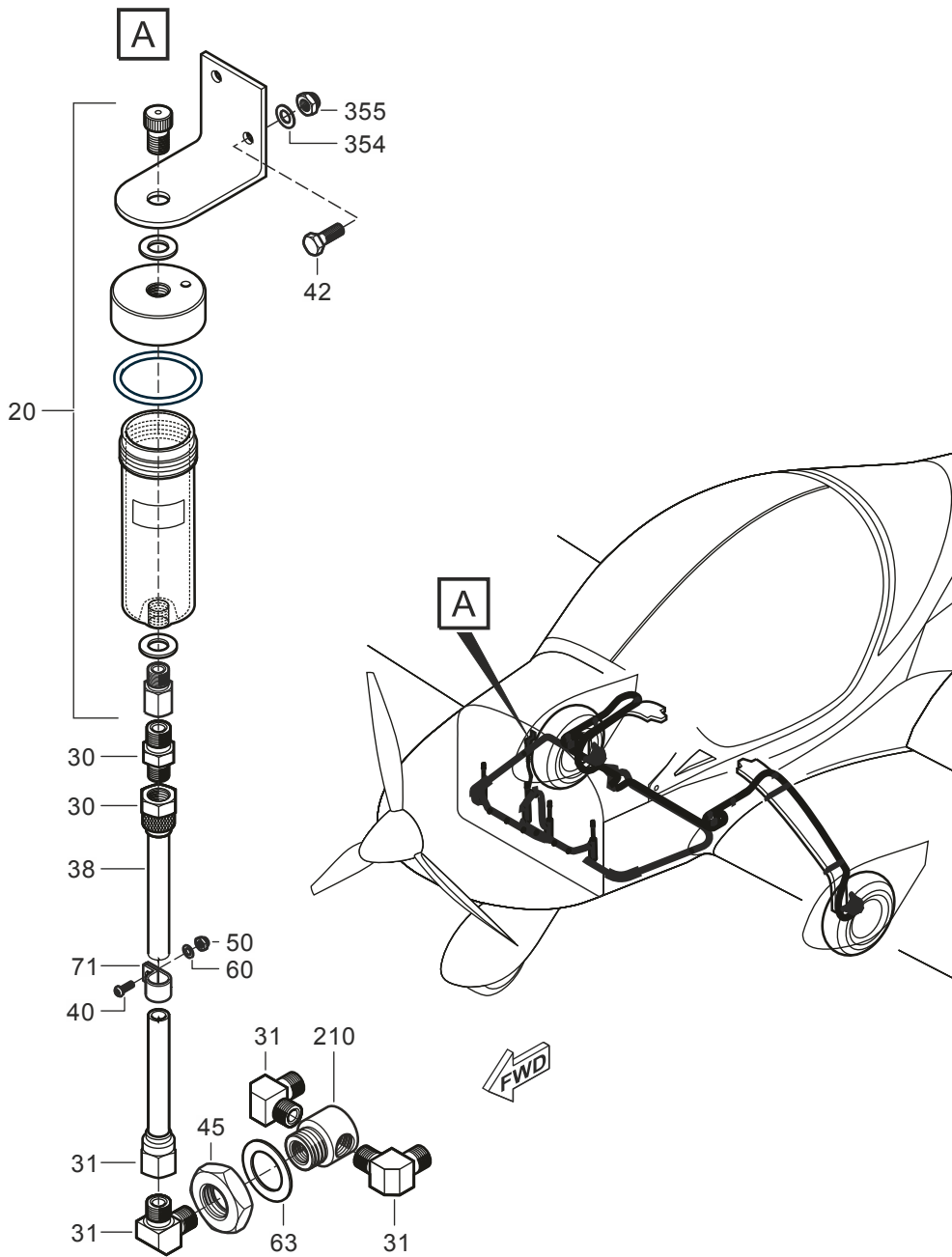
Index of Tables	Page
1 References.....	1

Index of Figures	Page
1 Brake system - Matco brakes.....	2

References

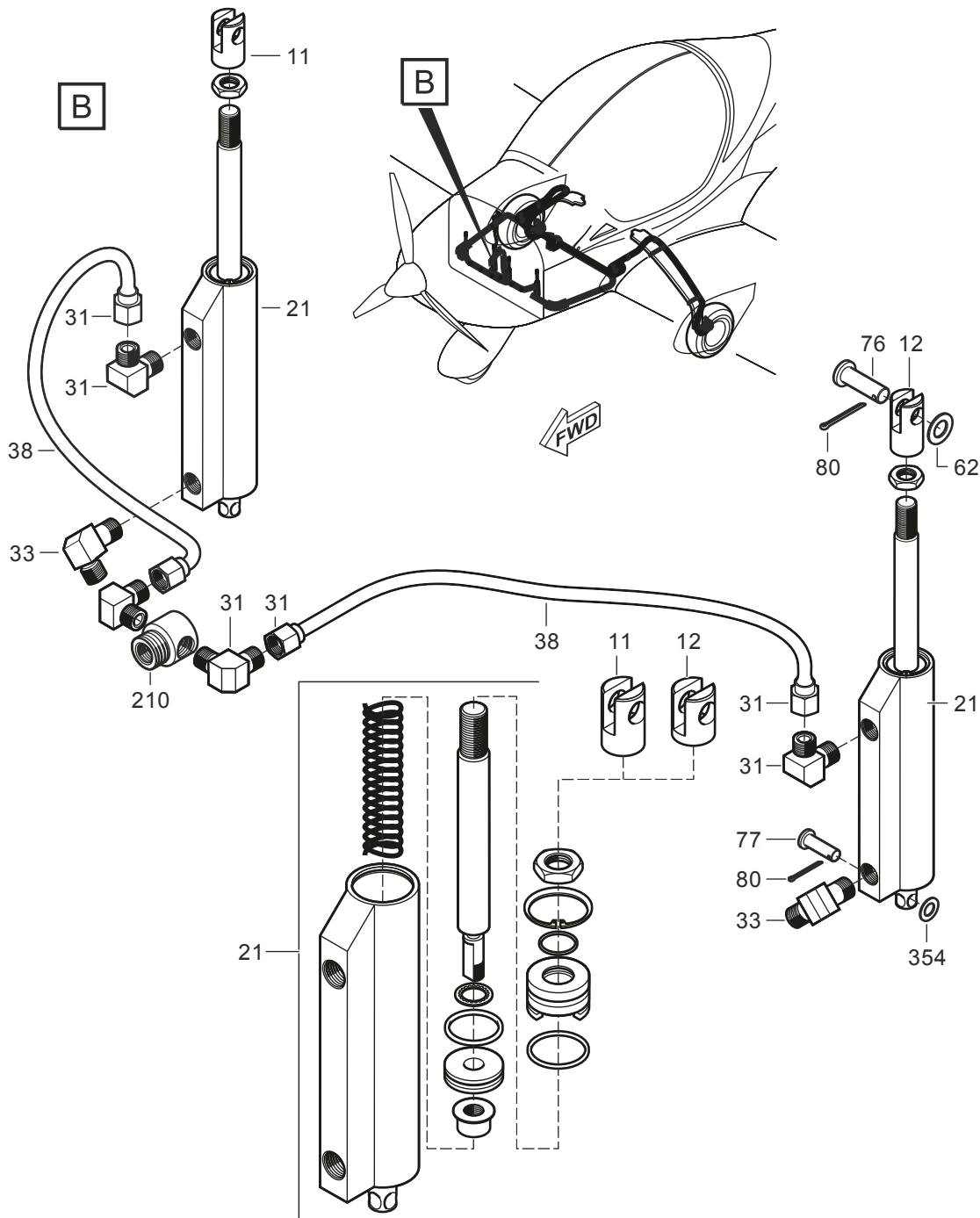
Table 1 References

Data module/Technical publication	Title
None	



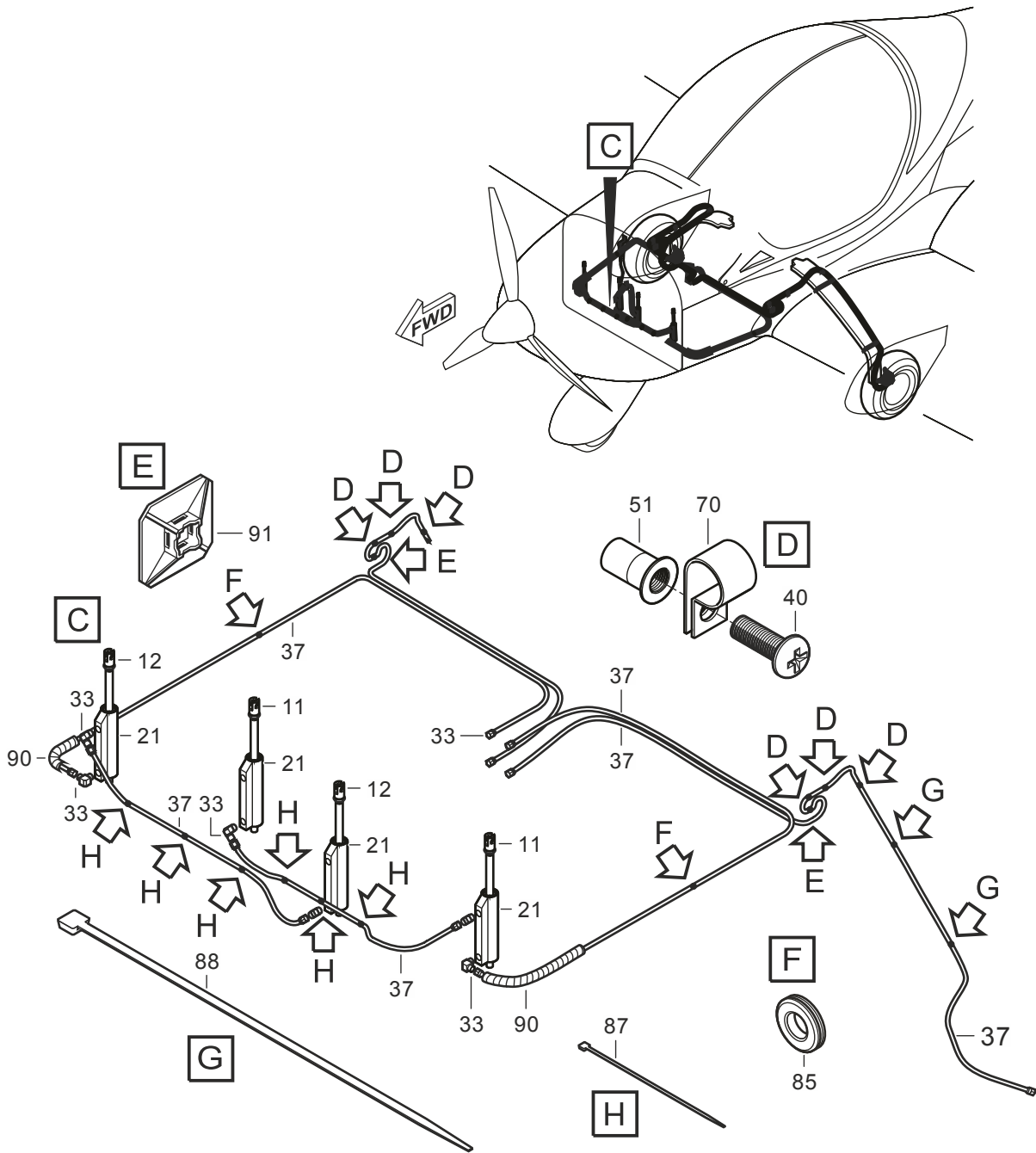
ICN-SPORTSTAR-A-32-40-00-E-0396G-00209-A-000-01.CGM

Figure 1: Brake system - Matco brakes (Sheet 1 of 4)



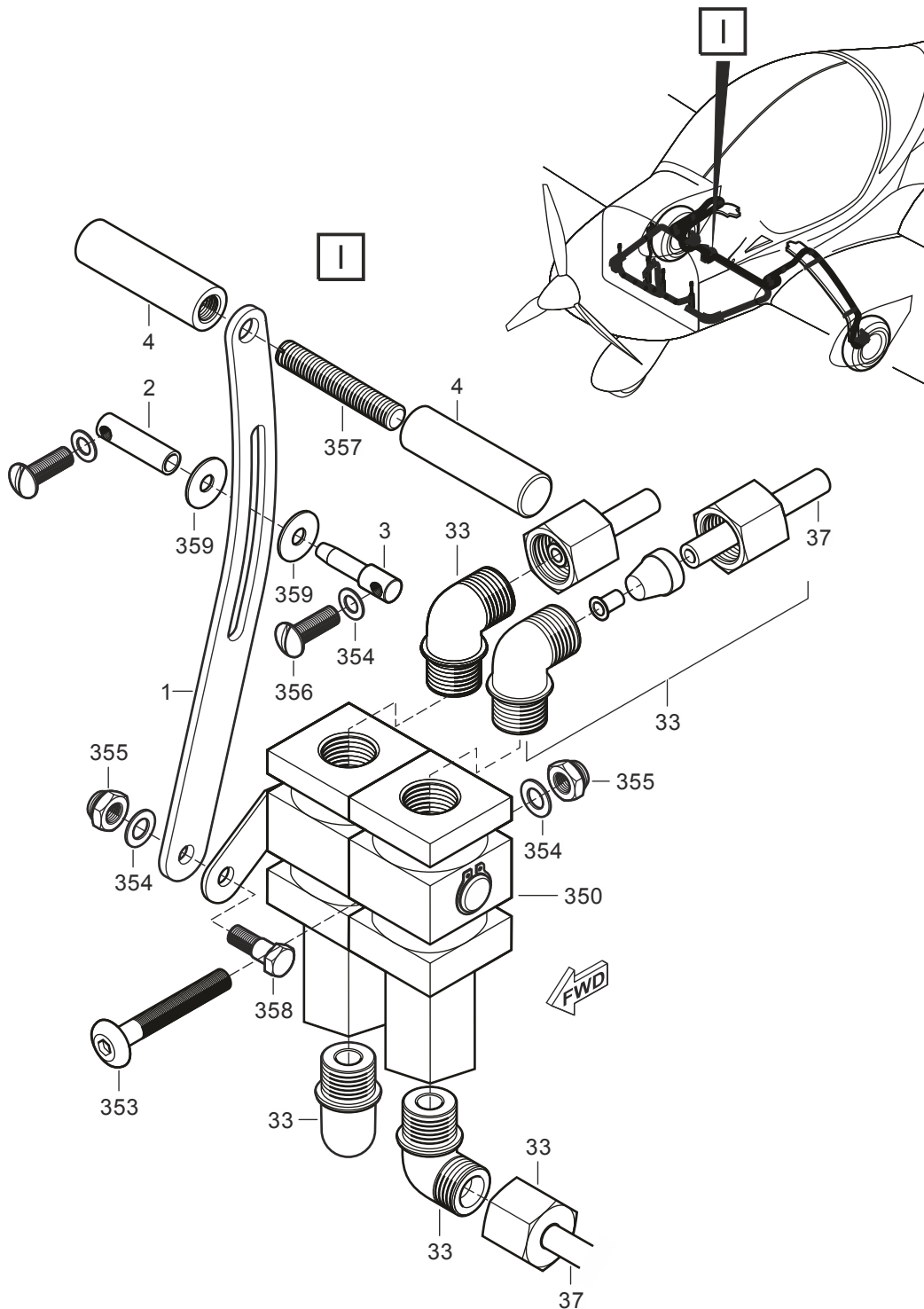
ICN-SPORTSTAR-A-32-40-00-E-0396G-00210-A-000-01.CGM

Figure 1: Brake system - Matco brakes (Sheet 2 of 4)



ICN-SPORTSTAR-A-32-40-00-E-0396G-00211-A-000-01.CGM

Figure 1: Brake system - Matco brakes (Sheet 3 of 4)



ICN-SPORTSTAR-A-32-40-00-E-0396G-00212-A-000-01.CGM

Figure 1: Brake system - Matco brakes (Sheet 4 of 4)

Fig.	Item	Units per assembly / Units of issue	NCAGE	Part Number NATO Stock Number	Nomenclature	*Usable on code assy •MV/Effect	I C Y
1B							
-	0	1	0396G	S5 00-61 01	Brake system - Matco brakes		
	1	1	0396G	S5 40-01 21	• Lever		
	2	1	0396G	S5 40-02 21	• Bushing		
	3	1	0396G	S1 74-03 21	• Pin		
	4	2	0396G	S1 74-07 21	• Handle		
	11	2	0396G	S5 60-01 21	• Fork - long		
	12	2	0396G	S5 60-02 21	• Fork - short		
	20	1	0396G	089964	• Brake fluid bottle		
	21	4	0396G	089962	• Brake pump - Matco		
	30	1	0396G	089967	• Connection, straight		
	31	5	0396G	089968	• Connection, angular		
	33	12	0396G	089965	• Elbow pipe		
	37	AR	0396G	089971	• Brake hose, nylon		
	38	AR	0396G	089972	• Brake hose, nylon		
	40	12	0396G	004985	• Screw M4x12		
	42	2	0396G	001670 (ISO 4017)	• Screw M5x12		
	45	1	0396G	031920 (DIN 439 B)	• Nut M16x1		
	50	1	0396G	033850 (DIN 980 V)	• Nut M4		
	51	10	0396G	035410	• Anchor nut M4		
	60	2	0396G	038204 (ISO 7089)	• Washer 4.3		

Fig.	Item	Units per assembly / Units of issue	NCAGE	Part Number NATO Stock Number	Nomenclature	*Usable on code assy •MV/Effect	I C Y
1B							
	62	4	0396G	038206 (ISO 7089)	• Washer 6.4		
	63	1	0396G	036345 (ISO 7089)	• Washer 17		
	70	6	0396G	059801	• Clamp		
	71	1	0396G	059602	• Clamp 1x6		
	76	4	0396G	029330	• Pin 6x20		
	77	4	0396G	028700	• Pin 5x22		
	80	8	0396G	040002 (ISO 1234)	• Cotter pin 1.6x12		
	85	2	0396G	076809	• Bushing 5.5x1		
	87	25	0396G	060337	• Cable tie		
	88	4	0396G	060369	• Cable tie		
	90	AR	0396G	079875	• Protective spiral		
	91	16	0396G	060461	• Self-adhesive clamp		
-	100	AR	KA832	097399	• Hydraulic Fluid AeroShell Fluid 41		
	210	1	0396G	S5 00-67 21	• Connection		
	350	1	0396G	089973	• Matco parking brake valve		
	353	2	0396G	011031 (ISO 7380-1)	• Screw M5x30		
	354	9	0396G	038193 (ISO 7089)	• Washer 5.3		
	355	3	0396G	033855 (DIN 980 V)	• Nut M5		
	356	2	0396G	011886 (ISO 7045)	• Screw M4x10		

Fig.	Item	Units per assembly / Units of issue	NCAGE	Part Number NATO Stock Number	Nomenclature	*Usable on code assy •MV/Effect	I C Y
1B							
	357	1	0396G	011125 (ISO 4766)	• Screw M6x25		
	358	1	0396G	015990	• Screw 5x14		
	359	2	0396G	038213 (ISO 7093)	• Washer 4.3		
-	697	AR	D8908	096249	• Adhesive Loctite 577		
-	698	AR	0396G	096227	• Sealant Sabatack 750 black		
-	699	AR	0396G	096215	• Adhesive Loctite 648		
-	700	AR	0396G	096257	• Sealant Emfimastic PU 50 white		
-	701	2	0396G	047590 (AVDEL 1604-0412)	• Rivet 3.2x9.5		

Wheel brake

Illustrated parts data

Table of Contents

	Page
Wheel brake - Illustrated parts data.....	1

Index of Tables

	Page
1 References.....	1

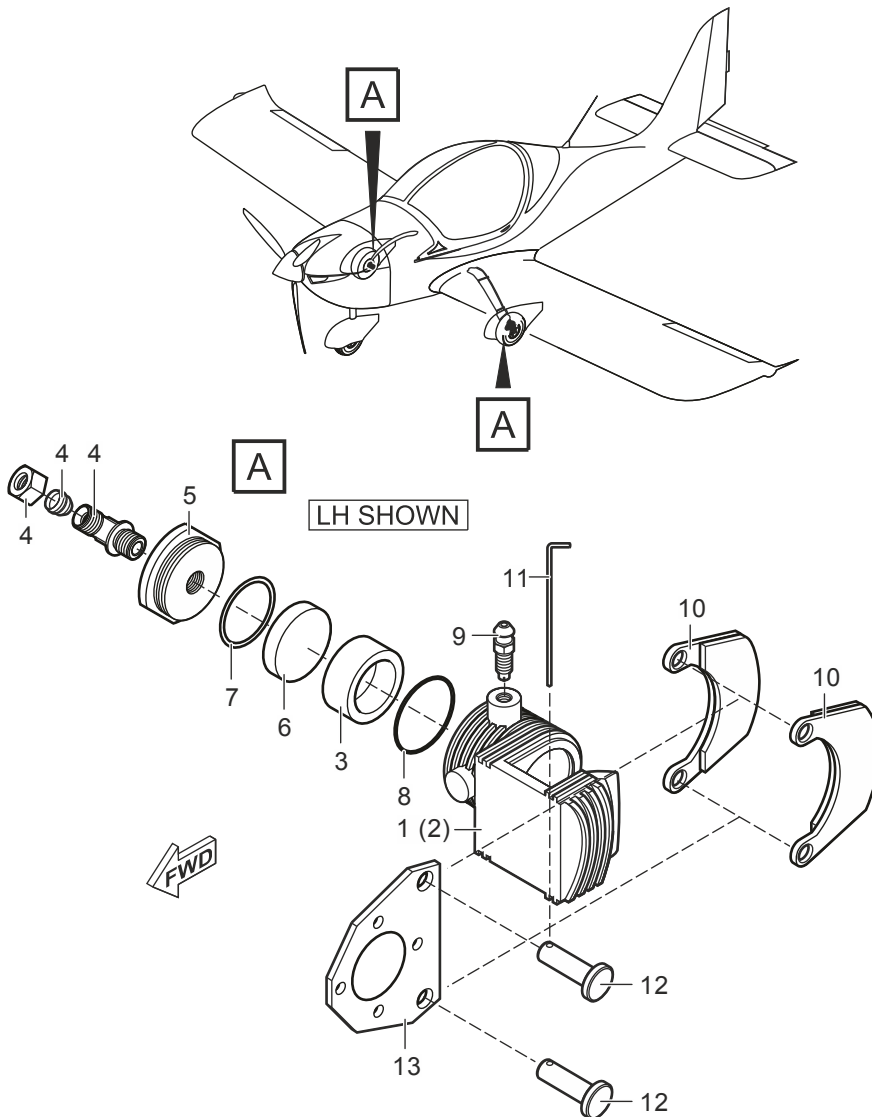
Index of Figures

	Page
1 Wheel brake.....	2

References

Table 1 References

Data module/Technical publication	Title
None	



ICN-SPORTSTAR-A-32-40-00-E-0396G-00081-A-001-01.CGM

Figure 1: Wheel brake

Fig.	Item	Units per assembly / Units of issue	NCAGE	Part Number NATO Stock Number	Nomenclature	*Usable on code assy •MV/Effect	I C Y
1A							
-	0	2	0396G	S5 10-03 01 / 02	Wheel brake left / right		
	1	1	0396G	765261	• Brake body - left		
	2	1	0396G	765259	• Brake body - right		
	3	1	0396G	765198	• Piston		

Applicability: All

SPORTSTAR-A-32-41-01-01A-941A-D

Fig.	Item	Units per assembly / Units of issue	NCAGE	Part Number NATO Stock Number	Nomenclature	*Usable on code assy •MV/Effect	I C Y
1A							
	4	1	0396G	765056 (CSN 13 7723)	• Pipe connection		
	5	1	0396G	765263	• Plug		
	6	1	0396G	053831	• Sealing ring		
	7	1	0396G	059297	• Ring 24x3		
	8	1	0396G	059296	• Ring 25x2		
	9	1	0396G	050874	• Venting screw		
	10	2	0396G	765210	• Brake pad		
	11	1	0396G	S5 10-13 21	• Safety pin		
	12	2	0396G	029900	• Pin 8x22		
	13	1	0396G	S5 10-03 24	• Brake holder		

This page has been intentionally left blank.

Outer brake pump

Illustrated parts data

Table of Contents

	Page
Outer brake pump - Illustrated parts data.....	1

Index of Tables

	Page
1 References.....	1

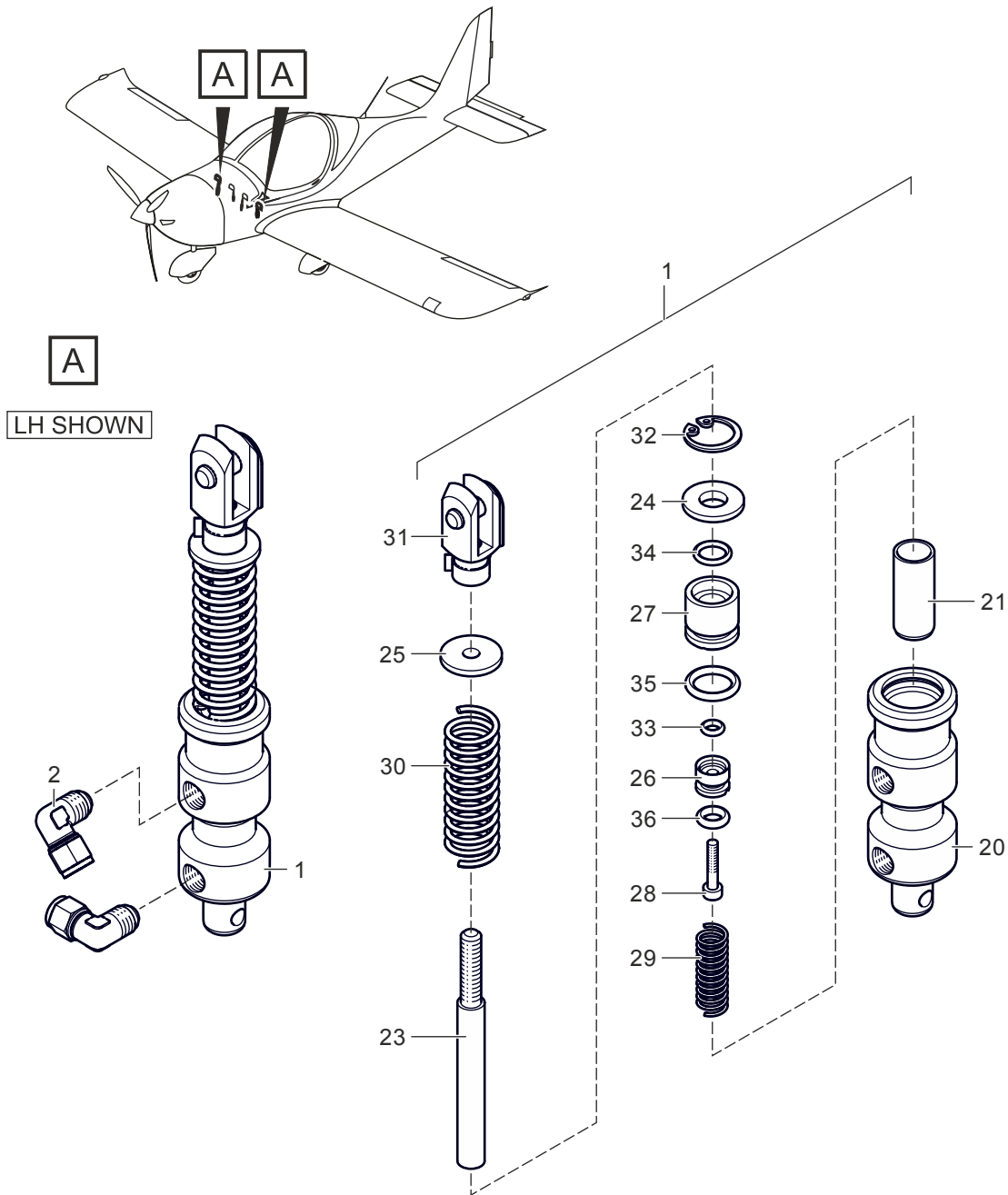
Index of Figures

	Page
1 Outer brake pump.....	2

References

Table 1 References

Data module/Technical publication	Title
None	



ICN-SPORTSTAR-A-32-40-00-E-0396G-00082-A-001-01.CGM

Figure 1: Outer brake pump

Fig.	Item	Units per assembly / Units of issue	NCAGE	Part Number NATO Stock Number	Nomenclature	*Usable on code assy •MV/Effect	I C Y
1A							
-	0	2	0396G	E5 10-40 01 / 02	Outer brake pump - left / right		
	1	1	0396G	E5 10-20 01	• Brake pump		
	2	2	0396G	765056 (CSN 137723)	• Pipe connection		
	21	1	0396G	E5 10-21 21	•• Brake pump body		
	22	1	0396G	E5 10-22 21	•• Brake pump cylinder		
	23	1	0396G	E5 10-23 21	•• Piston		
	24	1	0396G	E5 10-24 21	•• Lid		
	25	1	0396G	E5 10-25 21	•• Securing nut		
	26	1	0396G	E5 10-26 21	•• Piston		
	27	1	0396G	E5 10-27 21	•• Plug		
	28	1	0396G	E5 10-32 21	•• Screw		
	29	1	0396G	E5 10-31 21	•• Spring		
	30	1	0396G	E5 10-30 21	•• Spring		
	31	1	0396G	030090 (DIN 71752)	•• Fork with pin		
	32	1	0396G	075148 (DIN 472)	•• Ring		
	33	1	0396G	059289	•• Ring 4x2		
	34	1	0396G	059292	•• Ring 7.3x2.4		
	35	1	0396G	059294	•• Ring 11.3x2.4		
	36	1	0396G	059290	•• Ring 5.6x2.4		

This page has been intentionally left blank.

Inner brake pump

Illustrated parts data

Table of Contents

	Page
Inner brake pump - Illustrated parts data.....	1

Index of Tables

	Page
1 References.....	1

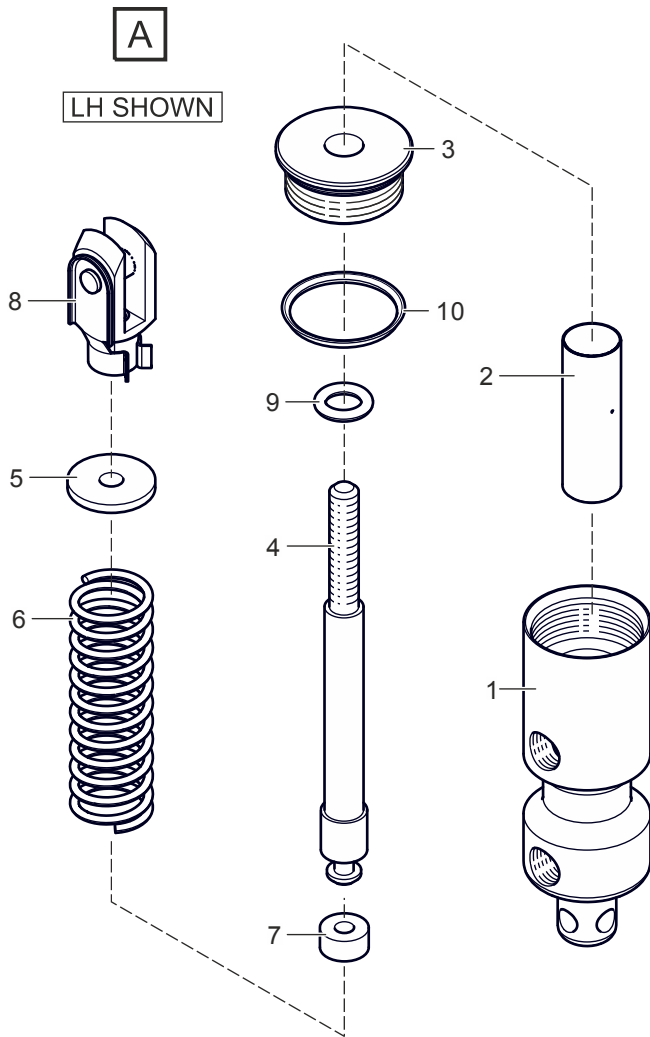
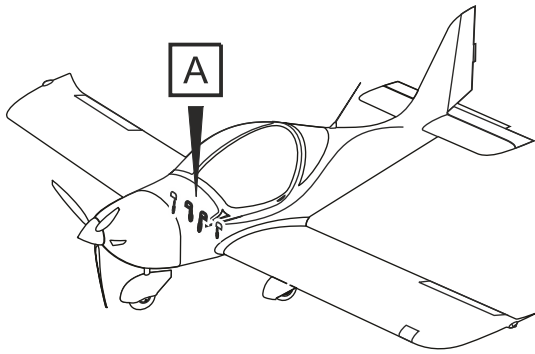
Index of Figures

	Page
1 Inner brake pump.....	2

References

Table 1 References

Data module/Technical publication	Title
None	



ICN-SPORTSTAR-A-32-40-00-E-0396G-00083-A-001-01.CGM
 Figure 1: Inner brake pump

Fig.	Item	Units per assembly / Units of issue	NCAGE	Part Number NATO Stock Number	Nomenclature	*Usable on code assy •MV/Effect	I C Y
1A							
-	0	2	0396G	S5 20-01 01	Inner brake pump		
	1	1	0396G	S5 20-01 21	• Brake pump body		
	2	1	0396G	E5 11-03 21	• Brake pump cylinder		
	3	1	0396G	S5 20-02 21	• Lid		
	4	1	0396G	S5 20-03 21	• Piston		
	5	1	0396G	E5 10-25 21	• Securing nut		
	6	1	0396G	E5 10-30 21	• Spring		
	7	1	0396G	053822	• Sealing ring		
	8	1	0396G	030090 (DIN 71752)	• Fork with pin		
	9	1	0396G	059292	• Ring 7.3x2.4		
	10	1	0396G	059298	• Ring 20x1.5		

This page has been intentionally left blank.

Parking brake valve with control

Illustrated parts data

Table of Contents	Page
Parking brake valve with control - Illustrated parts data.....	1

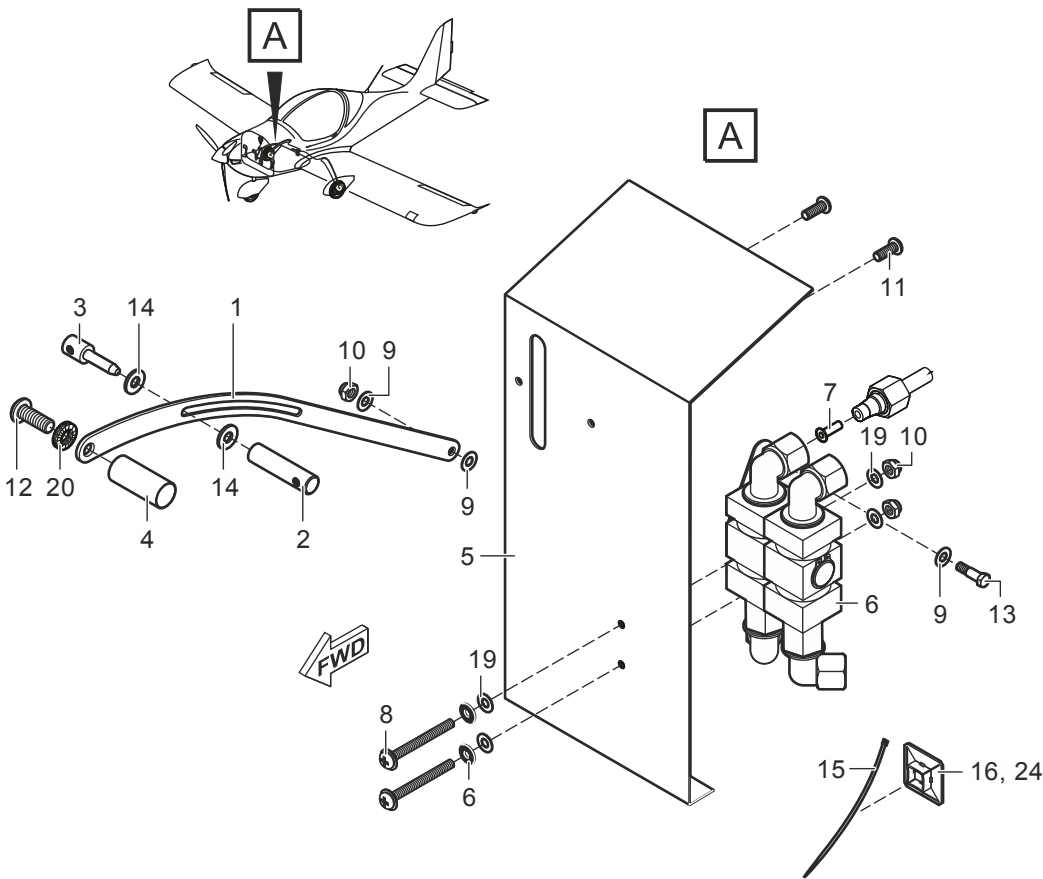
Index of Tables	Page
1 References.....	1

Index of Figures	Page
1 Parking brake valve with control.....	2

References

Table 1 References

Data module/Technical publication	Title
None	



ICN-SPORTSTAR-A-32-40-00-E-0396G-00084-A-001-01.CGM

Figure 1: Parking brake valve with control

Fig.	Item	Units per assembly / Units of issue	NCAGE	Part Number NATO Stock Number	Nomenclature	*Usable on code assy •MV/Effect	I C Y
1A							
-	0	1	0396G	S5 45-00 01	Parking brake valve with control		
	1	1	0396G	S5 45-01 21	• Lever		
	2	1	0396G	S5 40-02 21	• Bushing		
	3	1	0396G	S1 74-03 21	• Pin		
	4	1	0396G	S1 74-07 21	• Handle		
	5	1	0396G	S5 45-02 21	• Bracket		
	6	1	0396G	S5 40-01 01	• Parking brake valve		

Applicability: All

SPORTSTAR-A-32-41-04-01A-941A-A

Fig.	Item	Units per assembly / Units of issue	NCAGE	Part Number NATO Stock Number	Nomenclature	*Usable on code assy •MV/Effect	I C Y
1A							
	7	4	0396G	047578 (DIN 7340 A)	• Rivet 2x8		
	8	2	0396G	011009 (ISO 7380-1)	• Screw M5x35		
	9	3	0396G	038193 (ISO 7089)	• Washer 5.3		
	10	3	0396G	033855 (DIN 980 V)	• Nut M5		
	11	2	0396G	011886 (ISO 7045)	• Screw M4x10		
	12	1	0396G	011004 (ISO 7380-1)	• Screw M6x16		
	13	1	0396G	015990	• Screw 5x14		
	14	2	0396G	038213 (ISO 7093)	• Washer 4.3		
	15	10	0396G	060332	• Cable tie		
	16	8	0396G	060461	• Self-adhesive clamp		
	17	1	0396G	033601	• Nut M4		
	18	2	0396G	004985	• Screw M4x12		
	19	4	0396G	038180 (ISO 7093)	• Washer 5.3		
	20	1	0396G	038694	• Washer 6.5		
	21	2	0396G	004984	• Screw M4x8		
	22	2	0396G	038204 (ISO 7089)	• Washer 4.3		
	23	2	0396G	033850 (DIN 980 V)	• Nut M4		
	24	2	0396G	047590 (AVDEL 1604-0412)	• Rivet 3.2x9.5		

Applicability: All

SPORTSTAR-A-32-41-04-01A-941A-A



Fig.	Item	Units per assembly / Units of issue	NCAGE	Part Number NATO Stock Number	Nomenclature	*Usable on code assy •MV/Effect	I C Y
------	------	-------------------------------------	-------	-------------------------------	--------------	---------------------------------	-------------

1A

Matco brake pump

Illustrated parts data

Table of Contents

	Page
Matco brake pump - Illustrated parts data.....	1

Index of Tables

	Page
1 References.....	1

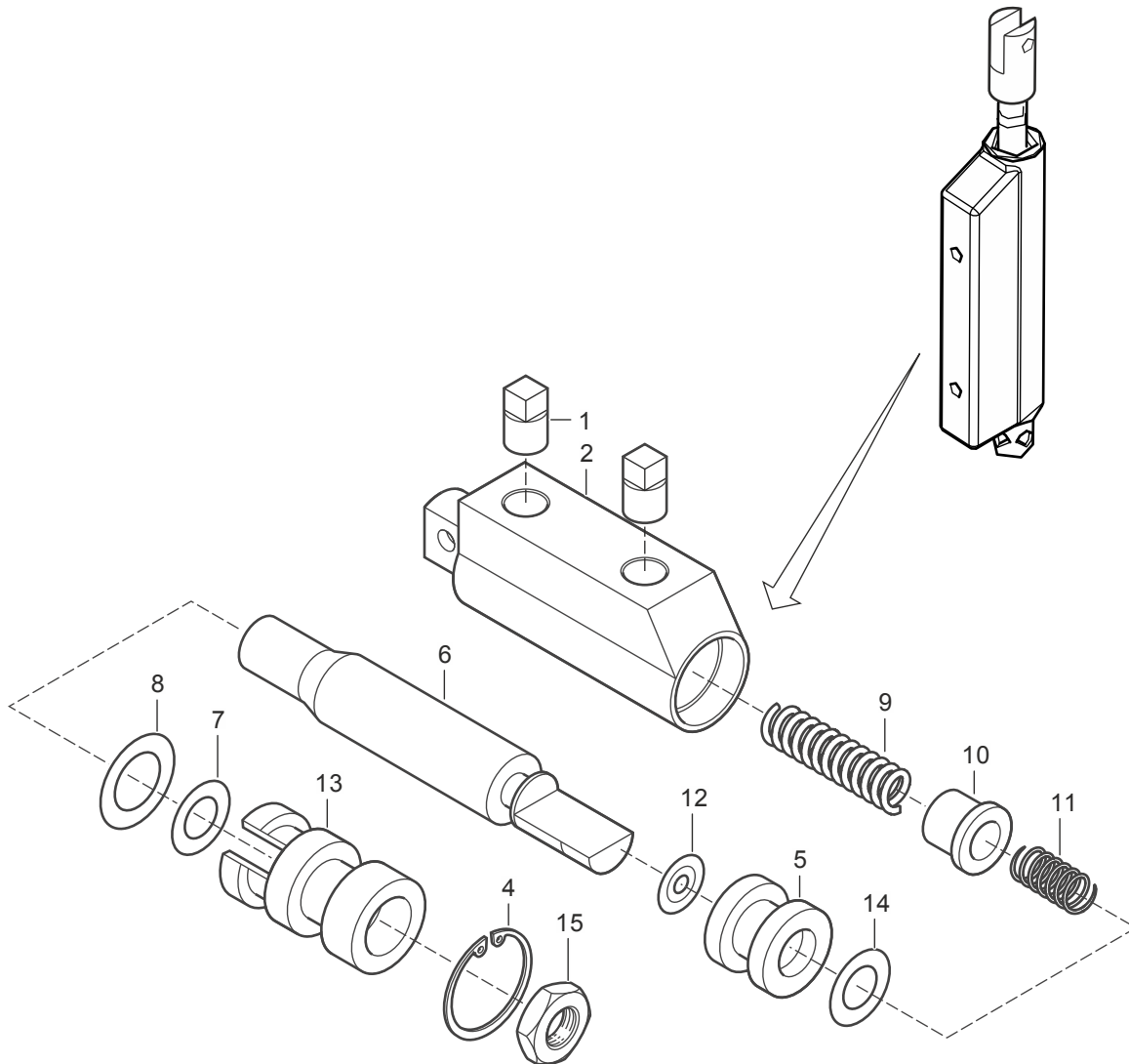
Index of Figures

	Page
1 Matco brake pump.....	2

References

Table 1 References

Data module/Technical publication	Title
None	



ICN-SPORTSTAR-A-32-40-00-E-0396G-00213-A-000-01.CGM

Figure 1: Matco brake pump

Fig.	Item	Units per assembly / Units of issue	NCAGE	Part Number NATO Stock Number	Nomenclature	*Usable on code assy •MV/Effect	I C Y
1A	-	0	4	0396G 089962	Brake pump - Matco		
	1	2	0396G 089980		• Threaded Plug		
	2	3	0396G 089981		• MC-4 Housing		
	4	1	0396G 089982		• Snap Ring MC-4		

Applicability: All

SPORTSTAR-A-32-41-05-01A-941A-D

Fig.	Item	Units per assembly / Units of issue	NCAGE	Part Number NATO Stock Number	Nomenclature	*Usable on code assy •MV/Effect	I C Y
1A							
	5	1	0396G	089983	• Piston		
	6	1	0396G	089984	• Shaft, MC-4GH		
	7	1	0396G	089985	• O-Ring Buna-N		
	8	1	0396G	089986	• O-Ring Buna-N		
	9	1	0396G	089987	• Spring		
	10	1	0396G	089988	• Spring Guide		
	11	1	0396G	089989	• Valve Spring		
	12	1	0396G	089990	• Stator Seal		
	13	1	0396G	089991	• End Gland		
	14	1	0396G	089992	• O-Ring Buna-N		
	15	1	0396G	089993	• Jamnut		

This page has been intentionally left blank.

Parking brake valve with control - Goldfren

Illustrated parts data

Table of Contents	Page
Parking brake valve with control - Goldfren - Illustrated parts data.....	1

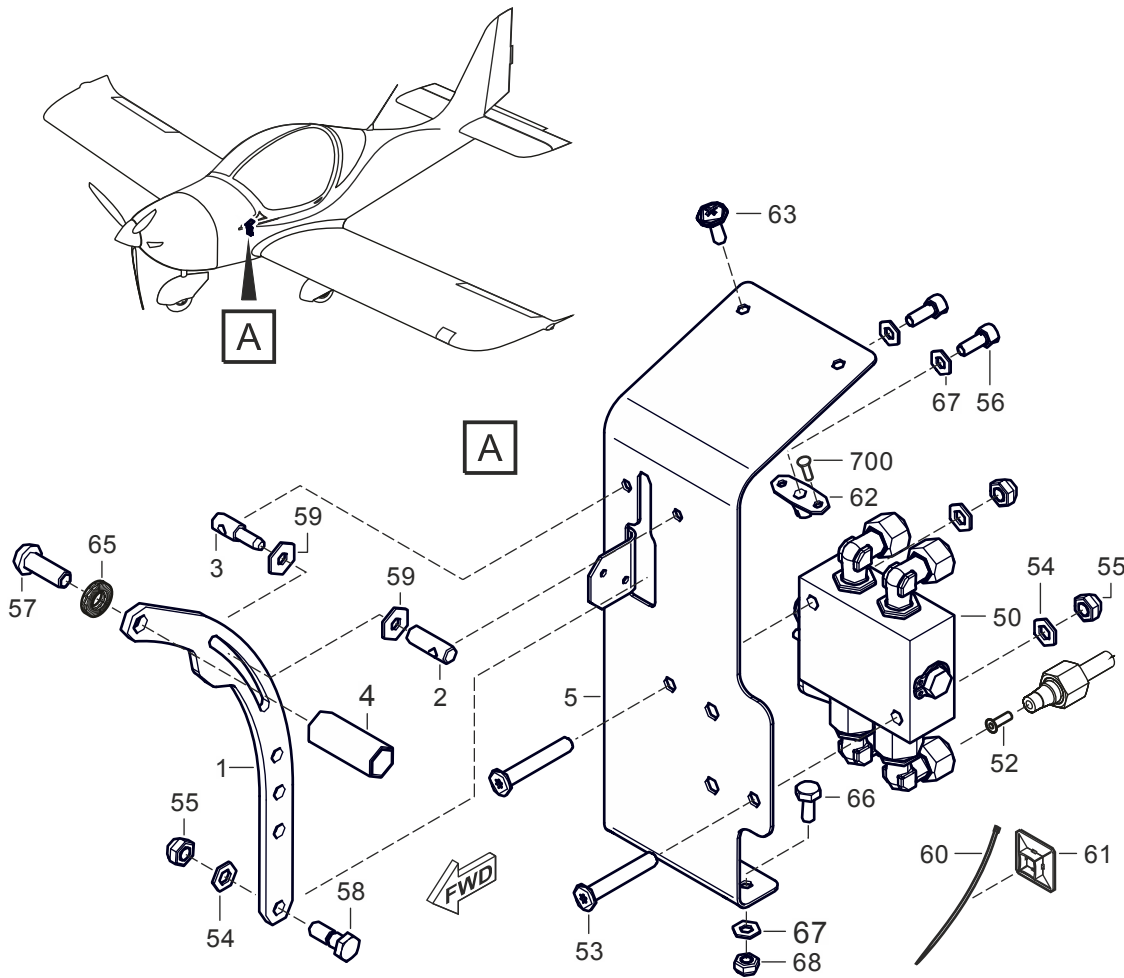
Index of Tables	Page
1 References.....	1

Index of Figures	Page
1 	2

References

Table 1 References

Data module/Technical publication	Title
None	



ICN-SPORTSTAR-A-32-40-00-E-0396G-00202-A-000-01.CGM

Figure 1:

Fig.	Item	Units per assembly / Units of issue	NCAGE	Part Number NATO Stock Number	Nomenclature	*Usable on code assy •MV/Effect	I C Y
1A							
-	0	1	0396G	S5 45-00 01D	Parking brake valve with control - Goldfren		
	1	1	0396G	S5 45-04 21	• Lever Goldfren		
	2	1	0396G	S5 40-02 21	• Bushing		
	3	1	0396G	S1 74-03 21	• Pin		
	4	1	0396G	S1 74-07 21	• Handle		

Fig.	Item	Units per assembly / Units of issue	NCAGE	Part Number NATO Stock Number	Nomenclature	*Usable on code assy •MV/Effect	I C Y
1A							
	5	1	0396G	S5 45-05 21	• Bracket		
	50	1	0396G	S5 45-07 01	• Goldfren parking brake valve		
	52	4	0396G	047578 (DIN 7340 A)	• Rivet 2x8		
	53	2	0396G	012060	• Screw M5x30		
	54	5	0396G	038193 (ISO 7089)	• Washer 5.3		
	55	3	0396G	033855 (DIN 980 V)	• Nut M5		
	56	2	0396G	007340 (ISO 4762)	• Screw M4x10		
	57	1	0396G	011004 (ISO 7380-1)	• Screw M6x16		
	58	1	0396G	015990	• Screw 5x14		
	59	2	0396G	038213 (ISO 7093)	• Washer 4.3		
	60	10	0396G	060332	• Cable tie		
	61	8	0396G	060461	• Self-adhesive clamp		
	62	1	0396G	033601	• Nut M4		
	63	2	0396G	004985	• Screw M4x12		
	65	1	0396G	038694	• Washer 6.5		
	66	2	0396G	001691 (ISO 4017)	• Screw M4x10		
	67	4	0396G	038204 (ISO 7089)	• Washer 4.3		
	68	2	0396G	033850 (DIN 980 V)	• Nut M4		



Fig.	Item	Units per assembly / Units of issue	NCAGE	Part Number NATO Stock Number	Nomenclature	*Usable on code assy •MV/Effect	I C Y
1A							
	700	2	0396G	047590 (AVDEL 1604-0412)	• Rivet 3.2x9.5		
-	900	AR	0396G	096220	• Adhesive Loctite 243		

Nose landing gear steering

Illustrated parts data

Table of Contents	Page
Nose landing gear steering - Illustrated parts data.....	1

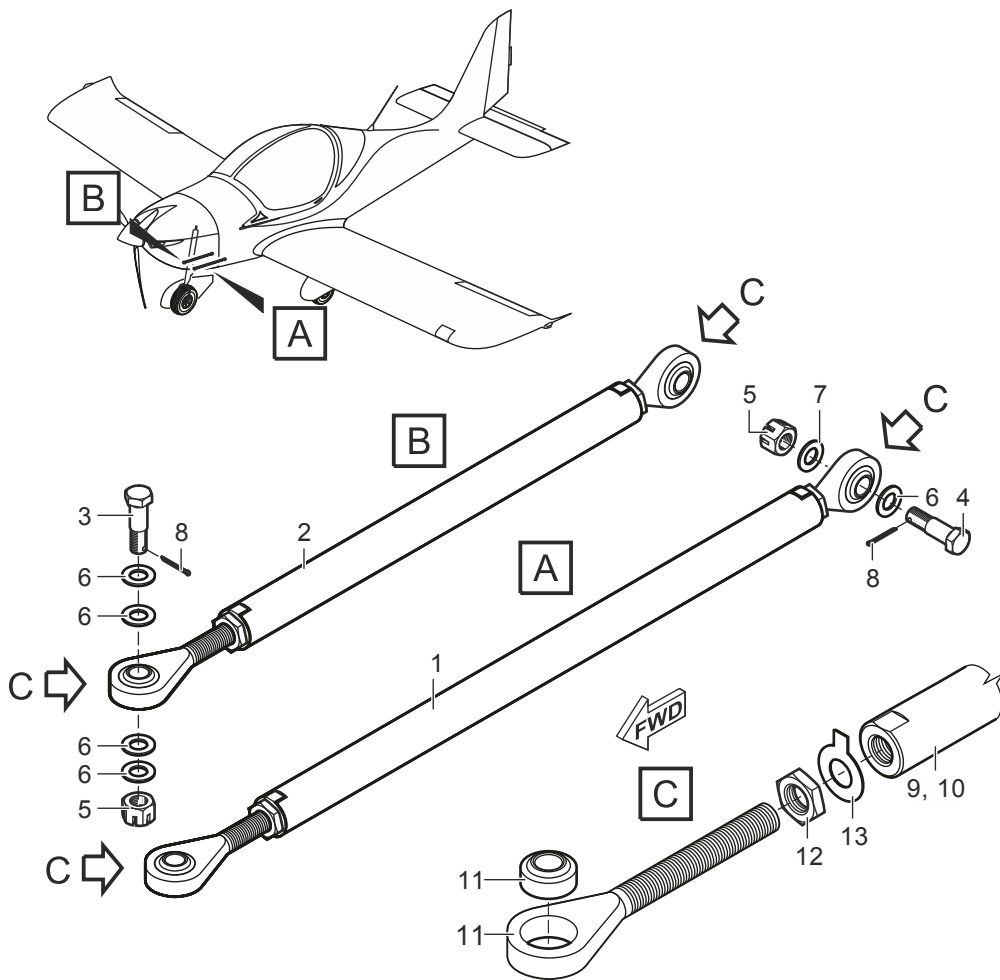
Index of Tables	Page
1 References.....	1

Index of Figures	Page
1 Nose landing gear steering.....	2

References

Table 1 References

Data module/Technical publication	Title
None	



ICN-SPORTSTAR-A-32-50-00-E-0396G-00085-A-001-01.CGM

Figure 1: Nose landing gear steering

Fig.	Item	Units per assembly / Units of issue	NCAGE	Part Number NATO Stock Number	Nomenclature	*Usable on code assy •MV/Effect	I C Y
1A	-	0	0396G	32-50-00	Nose landing gear steering		
	1	1	0396G	G4 01-20 01	• Pull rod - long		
	2	1	0396G	G4 01-18 01	• Pull rod - short		
	3	2	0396G	016802	• Screw 6x31.5		
	4	2	0396G	016602	• Screw 6x23.5		
	5	4	0396G	032300 (CSN 02 1413.44)	• Nut M6		

Applicability: All

SPORTSTAR-A-32-50-00-01A-941A-D

Fig.	Item	Units per assembly / Units of issue	NCAGE	Part Number NATO Stock Number	Nomenclature	*Usable on code assy •MV/Effect	I C Y
1A							
	6	10	0396G	038206 (ISO 7089)	• Washer 6.4		
	7	2	0396G	038673	• Washer 6.4		
	8	4	0396G	040006 (ISO 1234)	• Cotter pin 1.6x20		
	9	1	0396G	G4 20-01 21	• Pull rod bar - long		
	10	1	0396G	G4 18-01 21	• Pull rod bar - short		
	11	4	0396G	048155	• Adjustable rod eye with swivel		
	12	4	0396G	031901 (ISO 4035)	• Nut M6		
	13	4	0396G	038126 (DIN 463)	• Washer 6.4		

This page has been intentionally left blank.

Cockpit adjustable lamp Whelen 70820

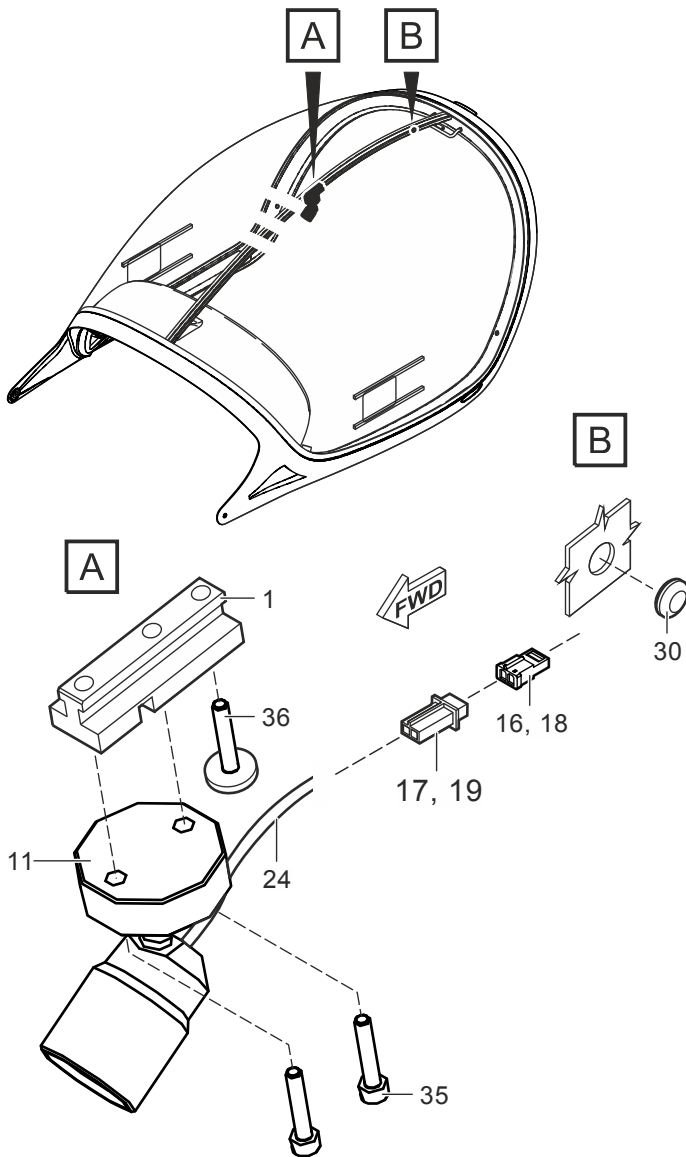
Illustrated parts data

Table of Contents	Page
Cockpit adjustable lamp Whelen 70820 - Illustrated parts data.....	1
Index of Tables	Page
1 References.....	1
Index of Figures	Page
1 Adjustable cockpit lamp Whelen 70820 - installed on the sun shade frame.....	2

References

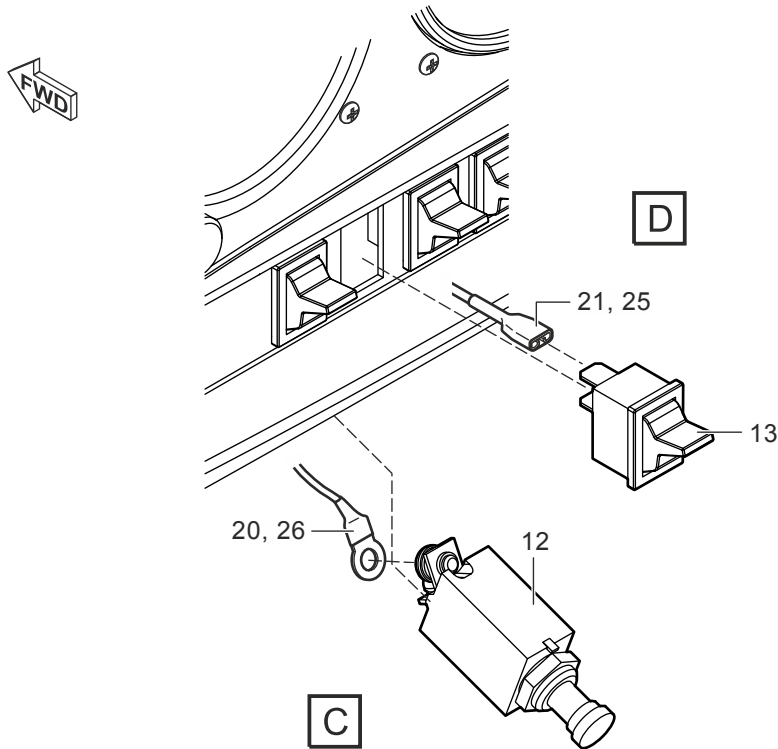
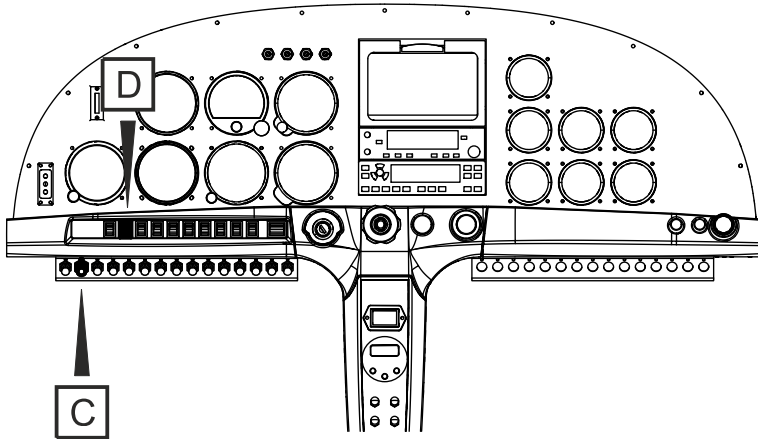
Table 1 References

Data module/Technical publication	Title
None	



ICN-SPORTSTAR-A-33-10-00-E-0396G-00037-A-001-01.CGM

Figure 1: Adjustable cockpit lamp Whelen 70820 - installed on the sun shade frame (Sheet 1 of 2)



ICN-SPORTSTAR-A-33-10-00-E-0396G-00038-A-001-01.CGM

Figure 1: Adjustable cockpit lamp Whelen 70820 - installed on the sun shade frame (Sheet 2 of 2)

Fig.	Item	Units per assembly / Units of issue	NCAGE	Part Number NATO Stock Number	Nomenclature	*Usable on code assy •MV/Effect	I C Y
1A							
-	0	1	0396G	S7 99-61 01	Cockpit adjustable lamp		
	1	1	0396G	S7 99-62 21	• Guide		
	11	1	0396G	738569 (WHELEN 01-0770820-02)	• Adjustable lamp Whelen 70820		
	12	1	0396G	739585	• Circuit breaker 2TC2-1		
	13	1	0396G	069110	• Switch		
	16	1	0396G	068640	• Connector - socket type		
	17	1	0396G	068641	• Connector - plug type		
	18	2	0396G	068646	• Socket (AWG22-18)		
	19	2	0396G	068648	• Plug (AWG22-18)		
	20	2	0396G	739772	• Ring cable eye		
	21	2	0396G	068636	• Connector Faston 4.8 (AWG22-16)		
	24	AR	0396G	739681	• Electrical wire AE22		
	25	AR	0396G	088086	• Shrink tube RNF-3000		
	26	AR	0396G	088087	• Shrink tube RNF-3000		
-	29	23	0396G	060332	• Cable tie		
-	30	2	0396G	076800	• Bushing 3.5x1		
	35	2	0396G	011797 (ISO 4762)	• Screw M3x16		
	36	1	0396G	011751	• Screw M3x20		
	38	2	0396G	035425	• Anchor nut M3		
-	699	AR	0396G	096227	• Sealant Sabatack 750 black		

Cockpit adjustable lamp Whelen 70820

Illustrated parts data

Table of Contents

	Page
Cockpit adjustable lamp Whelen 70820 - Illustrated parts data.....	1

Index of Tables

	Page
1 References.....	1

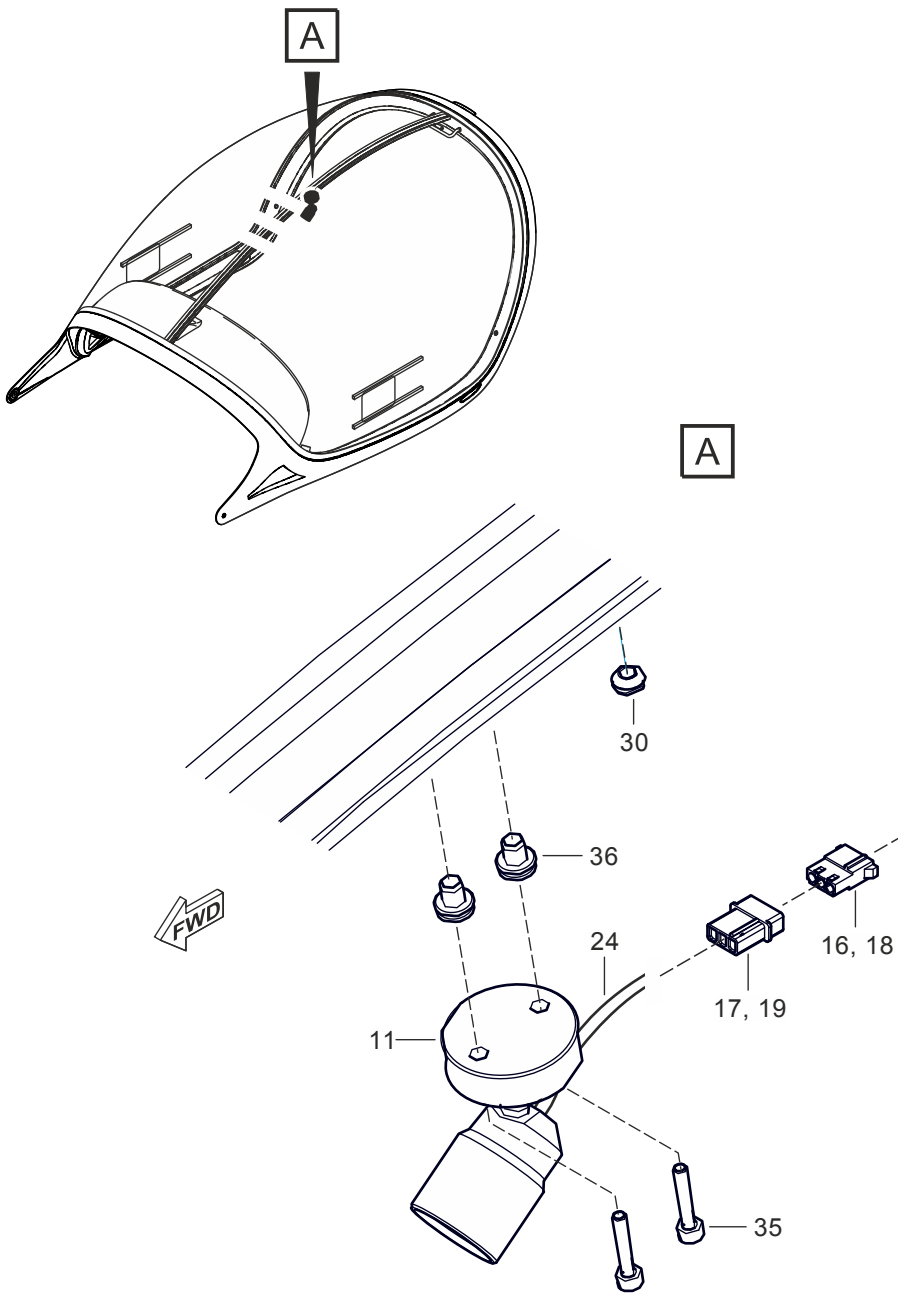
Index of Figures

	Page
1 Cockpit adjustable lamp Whelen 70820 - installed on the cockpit canopy frame.....	2

References

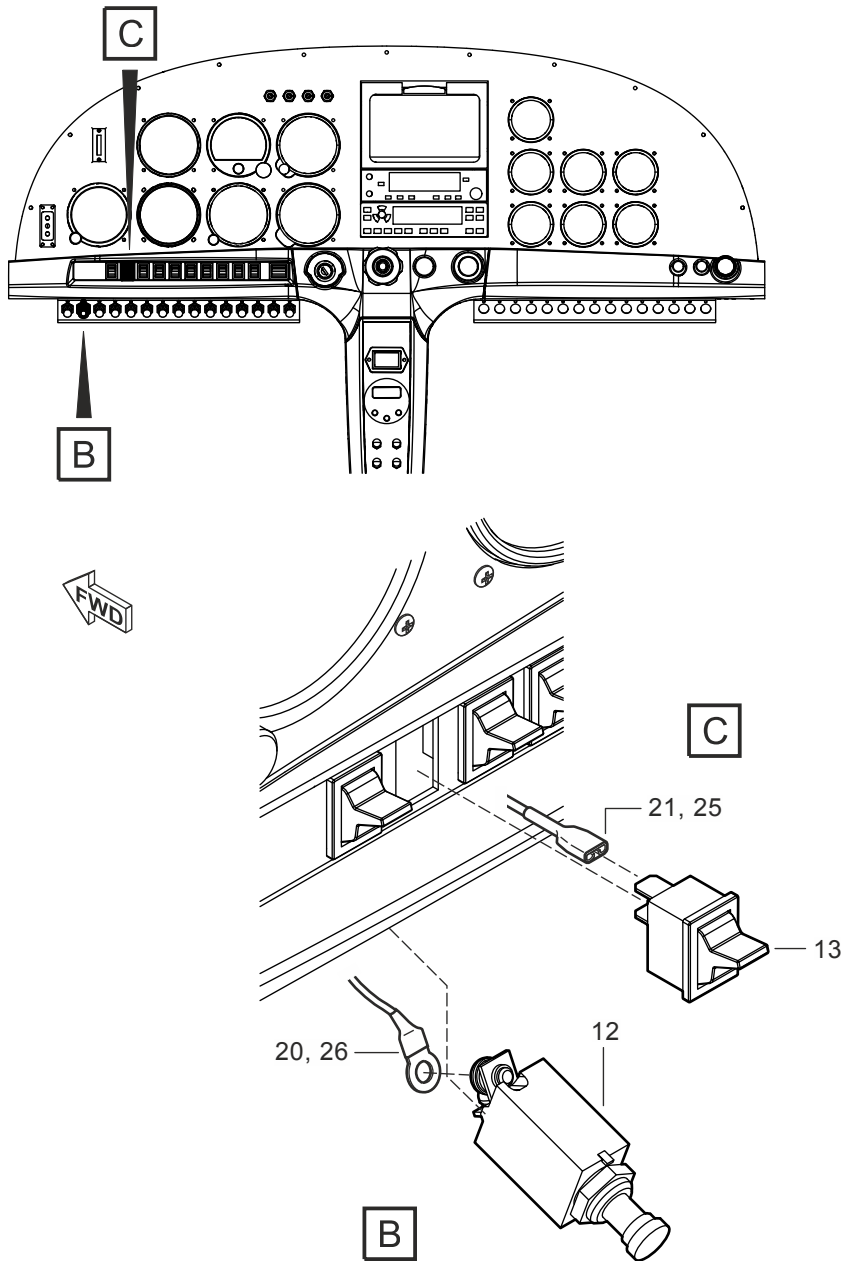
Table 1 References

Data module/Technical publication	Title
None	



ICN-SPORTSTAR-A-33-10-00-E-0396G-00192-A-000-01.CGM

Figure 1: Cockpit adjustable lamp Whelen 70820 - installed on the cockpit canopy frame (Sheet 1 of 2)



ICN-SPORTSTAR-A-33-10-00-E-0396G-00193-A-000-01.CGM

Figure 1: Cockpit adjustable lamp Whelen 70820 - installed on the cockpit canopy frame (Sheet 2 of 2)

Fig.	Item	Units per assembly / Units of issue	NCAGE	Part Number NATO Stock Number	Nomenclature	*Usable on code assy •MV/Effect	I C Y
1B							
-	0	1	0396G	S7 99-51 01	Cockpit adjustable lamp Whelen 70820 - installed on the cockpit canopy frame		
	11	1	0396G	738569 (WHELEN 01-0770820-02)	• Adjustable lamp Whelen 70820		
	12	1	0396G	739585	• Circuit breaker 2TC2-1		
	13	1	0396G	069110	• Switch		
	16	1	0396G	068642	• Connector - socket type		
	17	1	0396G	068643	• Connector - plug type		
	18	2	0396G	068646	• Socket (AWG22-18)		
	19	2	0396G	068648	• Plug (AWG22-18)		
	20	2	0396G	739772	• Ring cable eye		
	21	2	0396G	068636	• Connector Faston 4.8 (AWG22-16)		
	24	AR	0396G	739681	• Electrical wire AE22		
	25	AR	0396G	088086	• Shrink tube RNF-3000		
	26	AR	0396G	088087	• Shrink tube RNF-3000		
-	29	15	0396G	060332	• Cable tie		
	30	2	0396G	076800	• Bushing 3.5x1		
	35	2	0396G	011797 (ISO 4762)	• Screw M3x16		
	36	2	0396G	035425	• Anchor nut M3		
-	699	AR	0396G	096227	• Sealant Sabatack 750 black		

Cockpit adjustable lamp Whelen 70820

Illustrated parts data

Table of Contents

	Page
Cockpit adjustable lamp Whelen 70820 - Illustrated parts data.....	1

Index of Tables

	Page
1 References.....	1

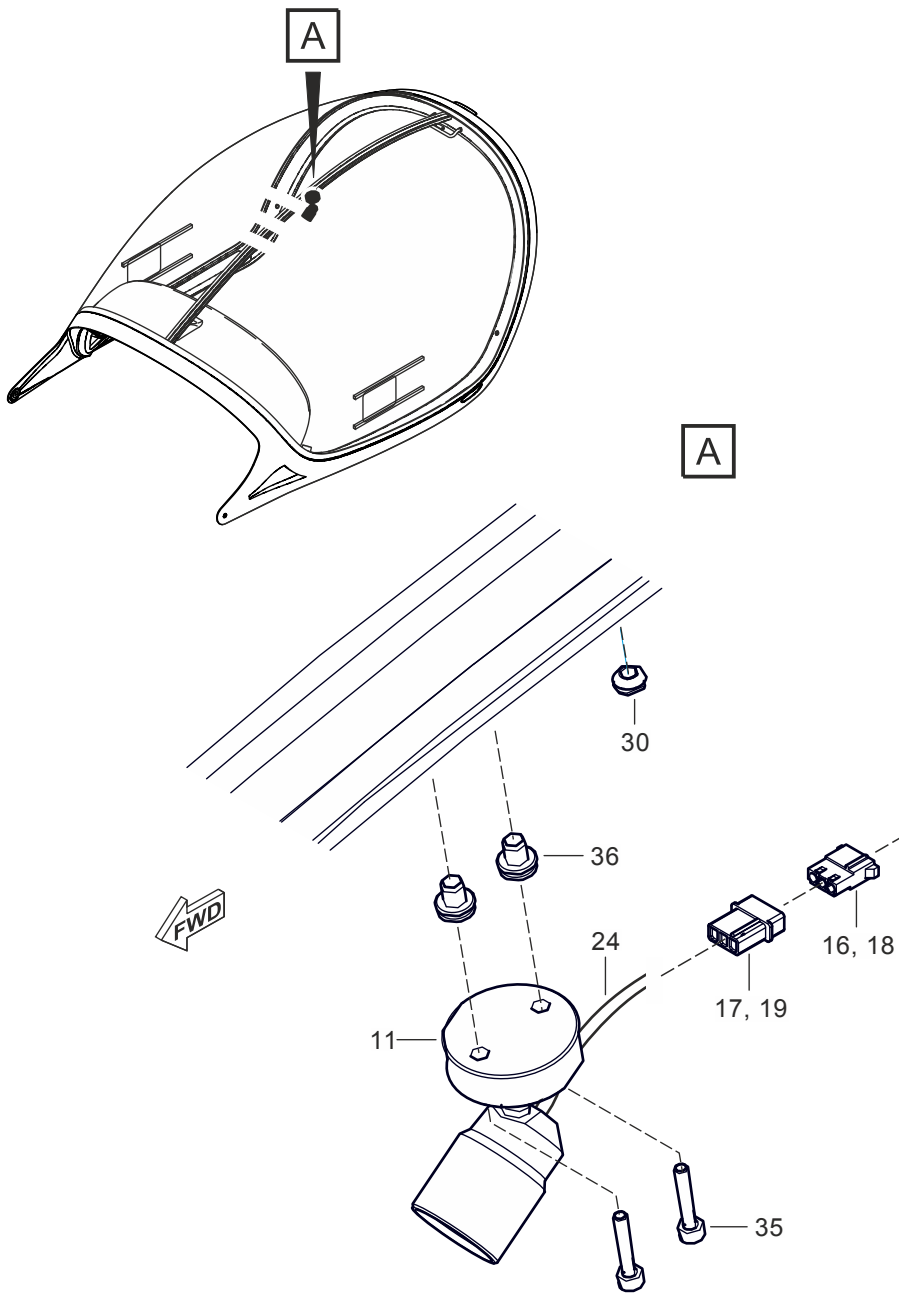
Index of Figures

	Page
1 Cockpit adjustable lamp Whelen 70820 - installed on the cockpit canopy frame - NVFR installation.....	2

References

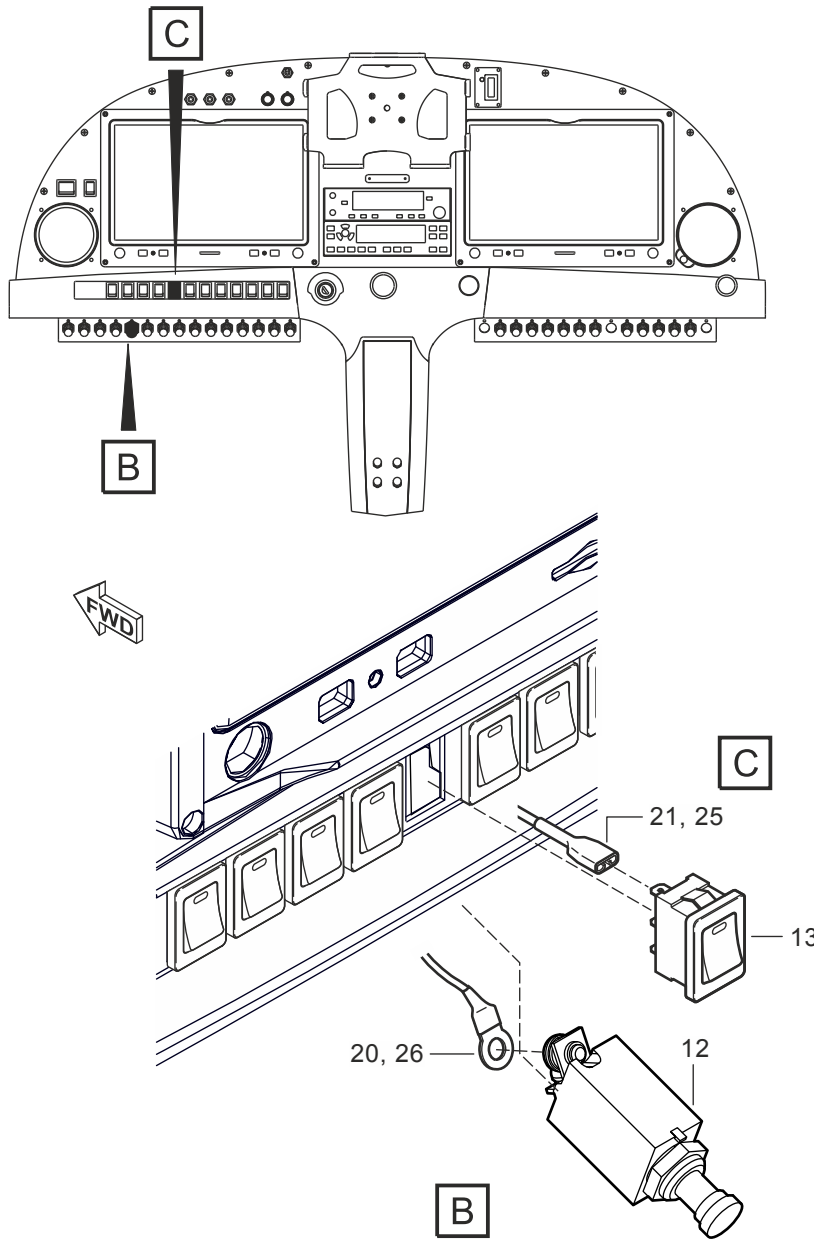
Table 1 References

Data module/Technical publication	Title
None	



ICN-SPORTSTAR-A-33-10-00-E-0396G-00176-A-000-01.CGM

Figure 1: Cockpit adjustable lamp Whelen 70820 - installed on the cockpit canopy frame - NVFR installation (Sheet 1 of 2)



ICN-SPORTSTAR-A-33-10-00-E-0396G-00177-A-000-01.CGM

Figure 1: Cockpit adjustable lamp Whelen 70820 - installed on the cockpit canopy frame - NVFR installation (Sheet 2 of 2)

Fig.	Item	Units per assembly / Units of issue	NCAGE	Part Number NATO Stock Number	Nomenclature	*Usable on code assy •MV/Effect	I C Y
1C							
-	0	1	0396G	S7 99-51 99	Cockpit adjustable lamp Whelen 70820 - installed on the cockpit canopy frame - NVFR installation		
	11	1	0396G	738569 (WHELEN 01-0770820-02)	• Adjustable lamp Whelen 70820		
	12	1	0396G	739585	• Circuit breaker 2TC2-1		
	13	1	0396G	069135	• Switch illuminated		
	16	1	0396G	068642	• Connector - socket type		
	17	1	0396G	068643	• Connector - plug type		
	18	2	0396G	068646	• Socket (AWG22-18)		
	19	2	0396G	068648	• Plug (AWG22-18)		
	20	3	0396G	739772	• Ring cable eye		
	21	3	0396G	068636	• Connector Faston 4.8 (AWG22-16)		
	24	AR	0396G	739681	• Electrical wire AE22		
	25	AR	0396G	088086	• Shrink tube RNF-3000		
	26	AR	0396G	088087	• Shrink tube RNF-3000		
-	29	15	0396G	060332	• Cable tie		
	30	2	0396G	076800	• Bushing 3.5x1		
	35	2	0396G	011797 (ISO 4762)	• Screw M3x16		
	36	2	0396G	035425	• Anchor nut M3		
-	699	AR	0396G	096227	• Sealant Sabatack 750 black		

Instrument lighting with regulator

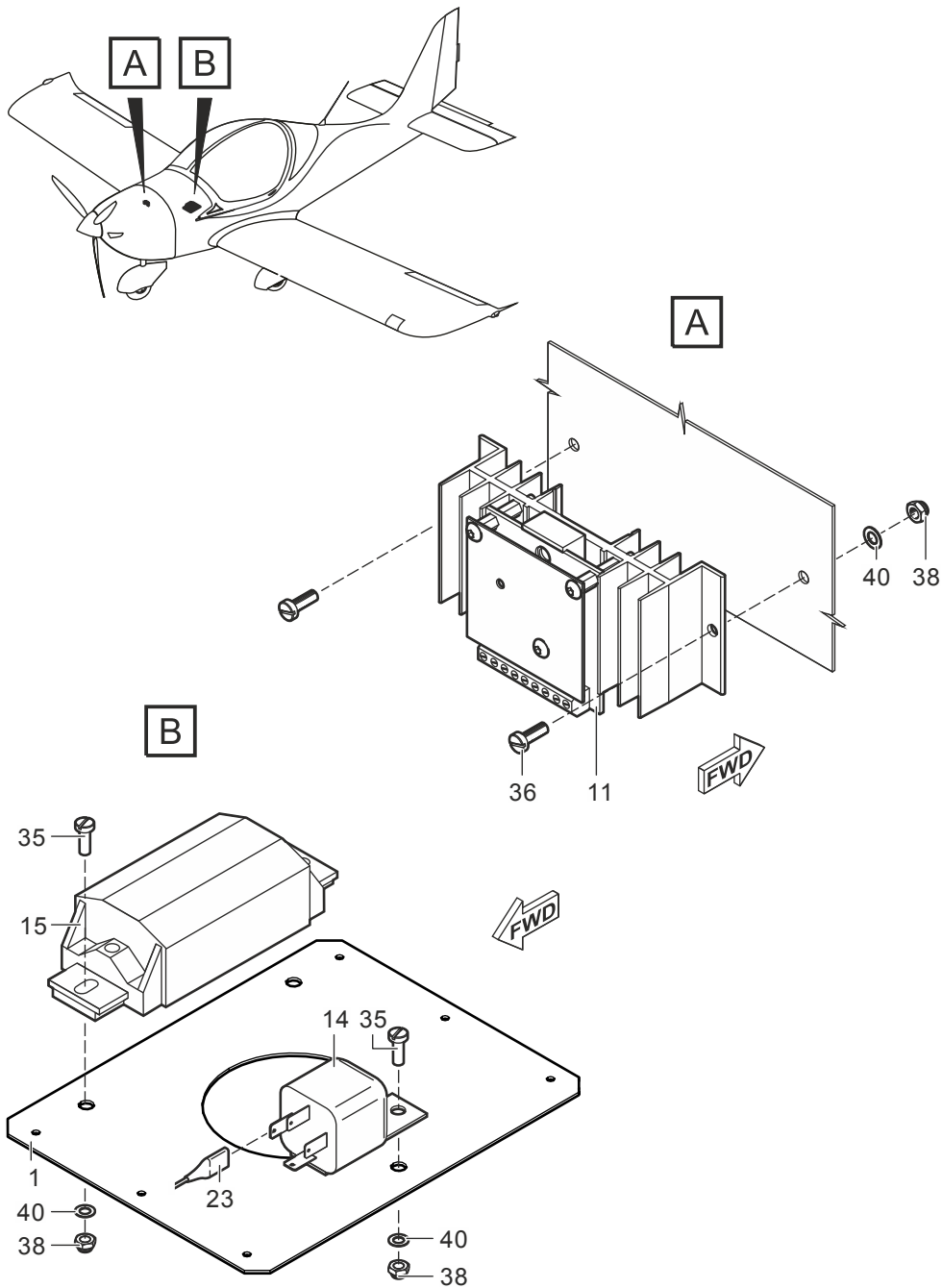
Illustrated parts data

Table of Contents	Page
Instrument lighting with regulator - Illustrated parts data.....	1
Index of Tables	Page
1 References.....	1
Index of Figures	Page
1 Instrument lighting with regulator.....	2

References

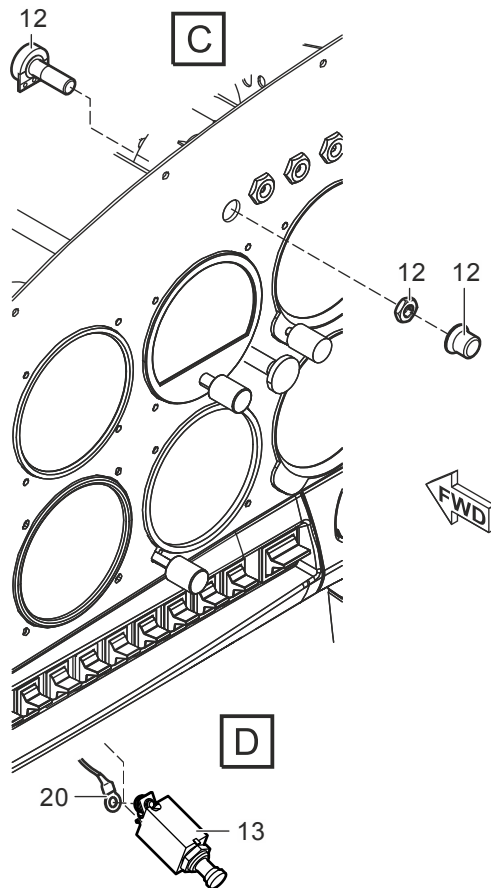
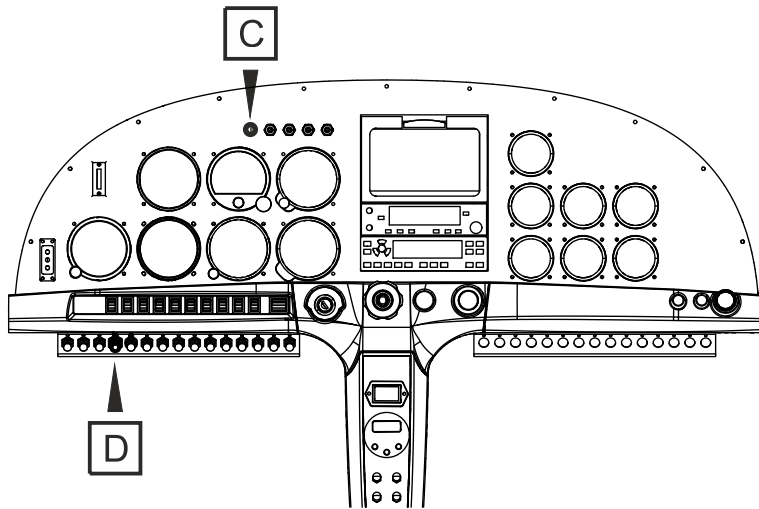
Table 1 References

Data module/Technical publication	Title
None	



ICN-SPORTSTAR-A-33-10-00-E-0396G-00091-A-001-01.CGM

Figure 1: Instrument lighting with regulator (Sheet 1 of 2)



ICN-SPORTSTAR-A-33-10-00-E-0396G-00092-A-001-01.CGM

Figure 1: Instrument lighting with regulator (Sheet 2 of 2)

Fig.	Item	Units per assembly / Units of issue	NCAGE	Part Number NATO Stock Number	Nomenclature	*Usable on code assy •MV/Effect	I C Y
1A							
-	0	1	0396G	E7 99-10 01	Instrument lighting with regulator		
	1	1	0396G	E8 03-08 21	• Bracket		
	11	1	0396G	E7 99-11 01	• Instrument lighting regulator		
	12	1	0396G	E7 99-13 01	• Potentiometer		
	13	1	0396G	739589	• Circuit breaker 2TC2-7.5		
	14	1	0396G	069674	• Switch relay 12V/30A		
	15	1	0396G	739906	• Terminal with cover		
	20	5	0396G	739772	• Ring cable eye		
	23	4	0396G	068637	• Connector Faston 6.3 (AWG22-16)		
	25	AR	0396G	739681	• Electrical wire AE22		
	26	AR	0396G	739682	• Electrical wire AE20		
	28	AR	0396G	088086	• Shrink tube RNF-3000		
	29	AR	0396G	088087	• Shrink tube RNF-3000		
-	30	10	0396G	060332	• Cable tie		
-	31	2	0396G	060333	• Cable tie		
-	32	2	0396G	060465	• Self-adhesive clamp		
-	35	3	0396G	004974 (ISO 1207)	• Screw M4x10		
	36	2	0396G	004980 (ISO 1207)	• Screw M4x12		
	38	5	0396G	033850 (DIN 980 V)	• Nut M4		
	40	5	0396G	038204 (ISO 7089)	• Washer 4.3		

Applicability: All

SPORTSTAR-A-33-10-02-01A-941A-D



Fig.	Item	Units per assembly / Units of issue	NCAGE	Part Number NATO Stock Number	Nomenclature	*Usable on code assy •MV/Effect	I C Y
<hr/>							
1A							
-	698	AR	0396G	089112	• Tin tube		
-	699	AR	0396G	086956	• Self fusing wrap		
-	701	6	0396G	047560 (AVDEL 1691-0410)	• Rivet 3.2x7.9		

This page has been intentionally left blank.

Lighting of LUN backup flight instruments

Illustrated parts data

Table of Contents

	Page
Lighting of LUN backup flight instruments - Illustrated parts data.....	1

Index of Tables

	Page
1 References.....	1

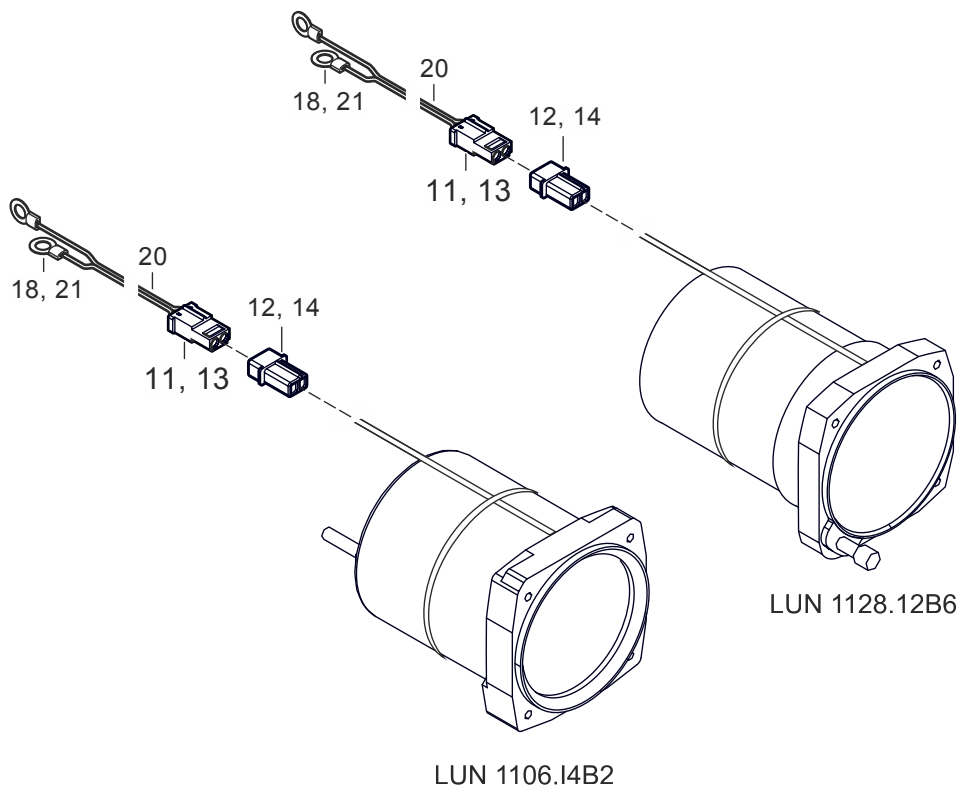
Index of Figures

	Page
1 Lighting of LUN backup flight instruments.....	1

References

Table 1 References

Data module/Technical publication	Title
None	



LUN 1106.I4B2
 LUN 1128.12B6
 ICN-SPORTSTAR-A-33-10-00-E-0396G-00189-A-000-01.CGM
 Figure 1: Lighting of LUN backup flight instruments



Fig.	Item	Units per assembly / Units of issue	NCAGE	Part Number NATO Stock Number	Nomenclature	*Usable on code assy •MV/Effect	I C Y
1A							
-	0	1	0396G	E7 59-11 99	Lighting of LUN backup flight instruments		
	11	2	0396G	068640	• Connector - socket type		
	12	2	0396G	068641	• Connector - plug type		
	13	4	0396G	068646	• Socket (AWG22-18)		
	14	4	0396G	068648	• Plug (AWG22-18)		
	18	4	0396G	739772	• Ring cable eye		
	20	AR	0396G	739681	• Electrical wire AE22		
	21	AR	0396G	088086	• Shrink tube RNF-3000		
-	22	8	0396G	060332	• Cable tie		
-	23	2	0396G	060333	• Cable tie		

Instrument lighting regulator

Illustrated parts data

Table of Contents	Page
Instrument lighting regulator - Illustrated parts data.....	1

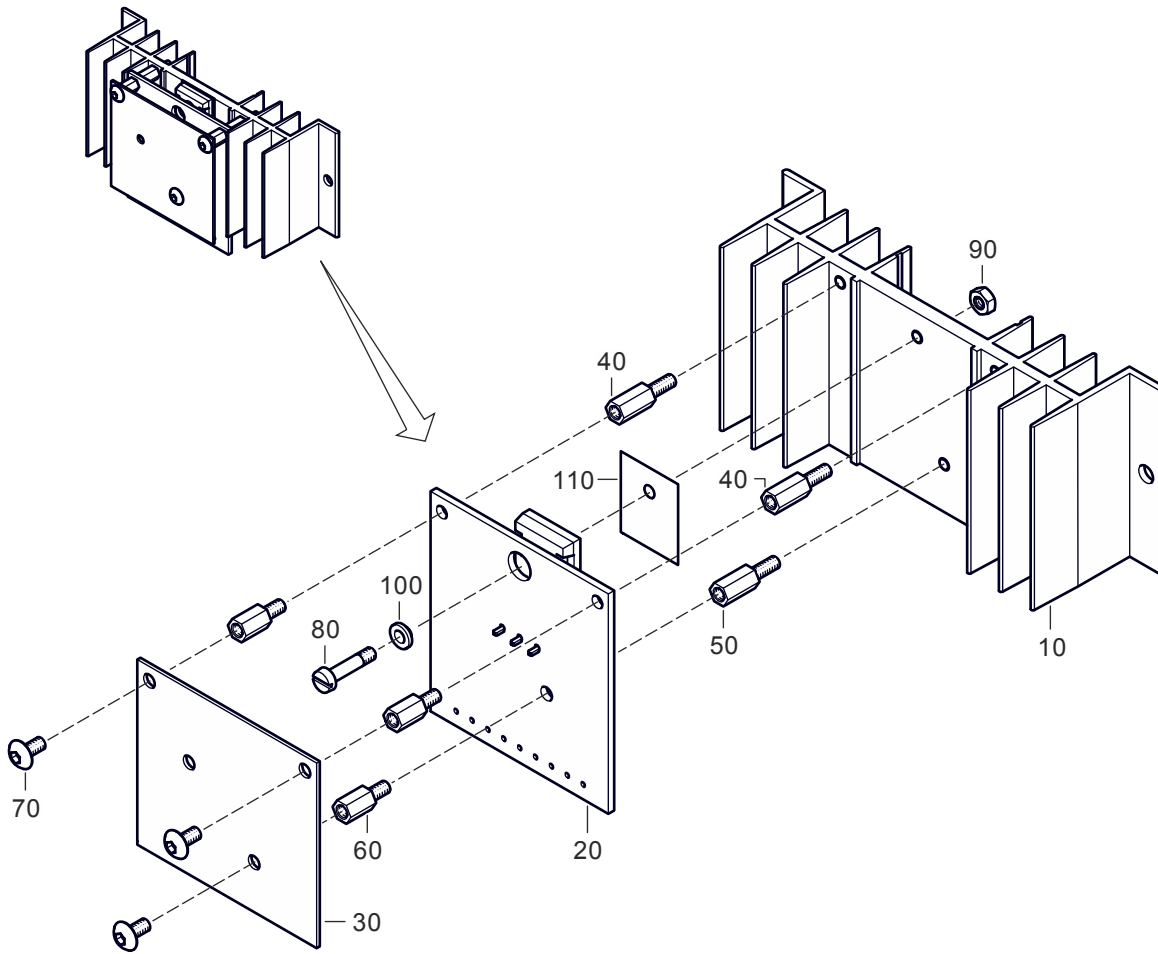
Index of Tables	Page
1 References.....	1

Index of Figures	Page
1 Instrument lighting regulator.....	2

References

Table 1 References

Data module/Technical publication	Title
None	



ICN-SPORTSTAR-A-33-10-00-E-0396G-00199-A-000-01.CGM

Figure 1: Instrument lighting regulator

Fig.	Item	Units per assembly / Units of issue	NCAGE	Part Number NATO Stock Number	Nomenclature	*Usable on code assy •MV/Effect	I C Y
1A							
-	0	1	0396G	E7 99-11 01	Instrument lighting regulator		
	10	1	0396G	E7 99-12 21	• Instrument lighting regulator cooler		
	20	1	0396G	E7 99-14 01	• Printed circuit board with parts		
	30	1	0396G	E7 99-13 21	• Instrument lighting regulator cover		

Fig.	Item	Units per assembly / Units of issue	NCAGE	Part Number NATO Stock Number	Nomenclature	*Usable on code assy •MV/Effect	I C Y
1A							
	40	2	0396G	064532	• Space pad		
	50	1	0396G	064533	• Space pad		
	60	3	0396G	064531	• Space pad		
	70	3	0396G	010981 (ISO 7380-1)	• Screw M3x6		
	80	1	0396G	003201 (ISO 1207)	• Screw M3x14		
	90	1	0396G	030536 (ISO 4032)	• Nut M3		
	100	1	0396G	064534	• Isolating pad		
	110	1	0396G	064528	• Isolating pad		

This page has been intentionally left blank.

Instrument panel lighting

Illustrated parts data

Table of Contents	Page
Instrument panel lighting - Illustrated parts data.....	1

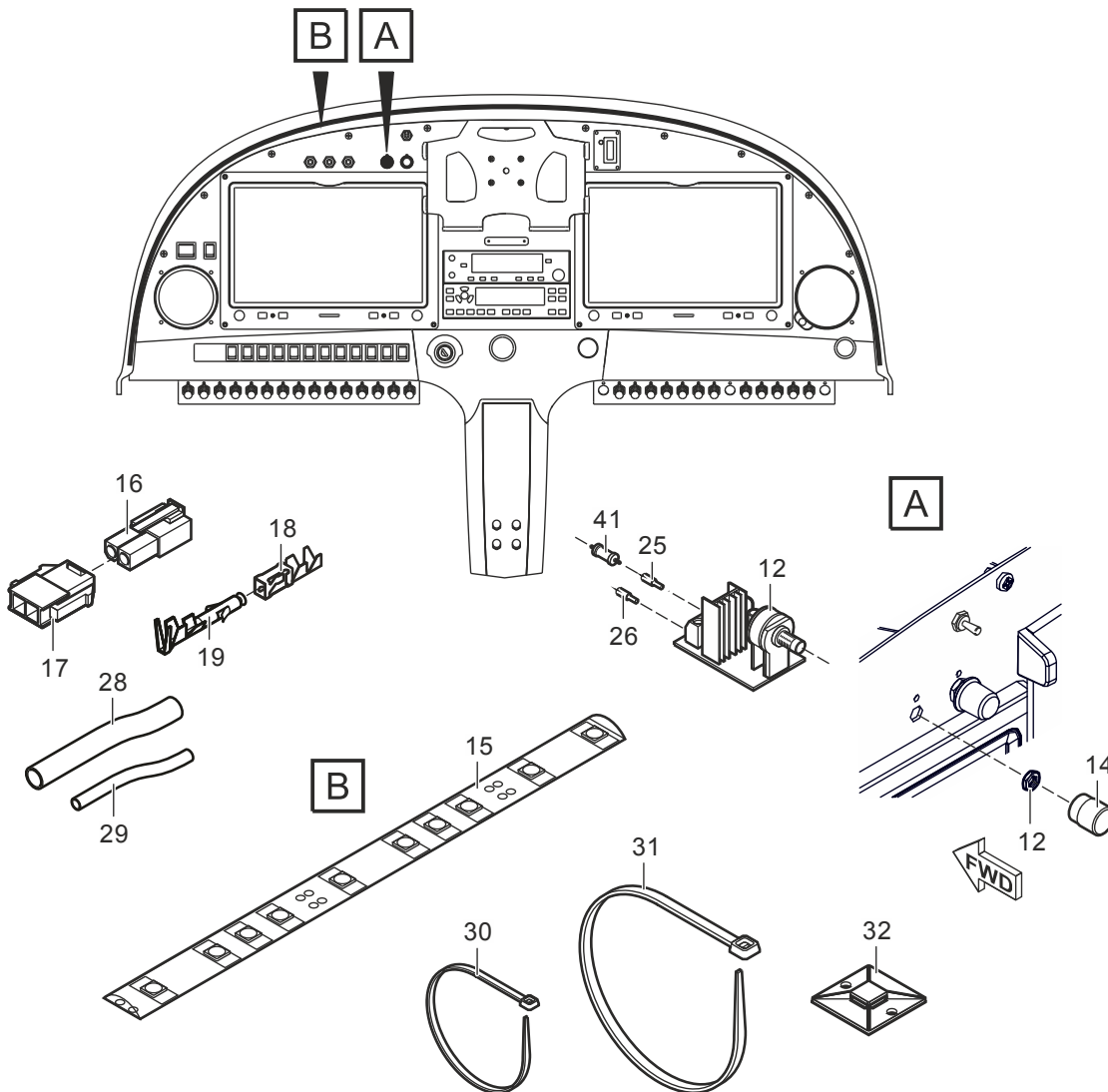
Index of Tables	Page
1 References.....	1

Index of Figures	Page
1 Instrument panel lighting.....	2

References

Table 1 References

Data module/Technical publication	Title
None	



ICN-SPORTSTAR-A-33-10-00-E-0396G-00200-A-000-01.CGM

Figure 1: Instrument panel lighting

Fig.	Item	Units per assembly / Units of issue	NCAGE	Part Number NATO Stock Number	Nomenclature	*Usable on code assy •MV/Effect	I C Y
1A							
-	0	1	0396G	S7 99-81 01	Instrument panel lighting		
	11	1	0396G	080509	• PWM dimmer		
	14	1	0396G	069480	• Instrument knob		
	15	1	0396G	069138	• LED strip		

Fig.	Item	Units per assembly / Units of issue	NCAGE	Part Number NATO Stock Number	Nomenclature	*Usable on code assy •MV/Effect	I C Y
1A							
	16	1	0396G	739896	• Connector Molex Micro-Fit 3.0 2 Pin		
	17	1	0396G	739897	• Connector Molex Micro-Fit 3.0 2 Pin		
	18	2	0396G	739898	• Contact Molex Micro-Fit 3.0		
	19	2	0396G	739899	• Contact Molex Micro-Fit 3.0		
-	20	3	0396G	739772	• Ring cable eye		
-	21	1	0396G	068648	• Plug (AWG22-18)		
-	22	1	0396G	068646	• Socket (AWG22-18)		
-	24	AR	0396G	739718	• Electrical wire AE24		
	25	AR	0396G	739681	• Electrical wire AE22		
	26	AR	0396G	739682	• Electrical wire AE20		
	28	AR	0396G	088086	• Shrink tube RNF-3000		
	29	AR	0396G	088087	• Shrink tube RNF-3000		
	30	10	0396G	060332	• Cable tie		
	31	2	0396G	060333	• Cable tie		
	32	2	0396G	060465	• Self-adhesive clamp		
	41	1	0396G	064505	• Metal oxide resistor		
-	698	AR	0396G	089112	• Tin tube		
-	699	AR	0396G	086956	• Self fusing wrap		

This page has been intentionally left blank.

Potentiometer

Illustrated parts data

Table of Contents

	Page
Potentiometer - Illustrated parts data.....	1

Index of Tables

	Page
1 References.....	1

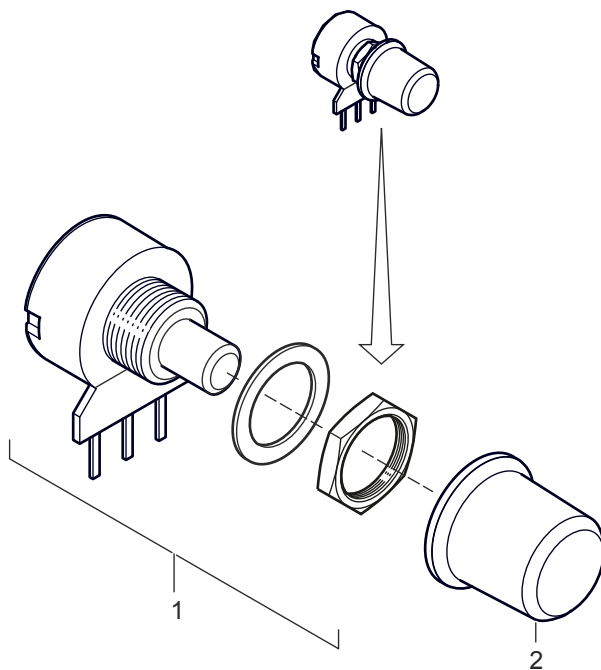
Index of Figures

	Page
1 Potentiometer.....	1

References

Table 1 References

Data module/Technical publication	Title
None	



ICN-SPORTSTAR-A-33-10-00-E-0396G-00201-A-000-01.CGM

Figure 1: Potentiometer



Fig.	Item	Units per assembly / Units of issue	NCAGE	Part Number NATO Stock Number	Nomenclature	*Usable on code assy •MV/Effect	I C Y
1A							
-	0	1	0396G	E7 99-13 01	Potentiometer		
	1	1	0396G	069502	• Linear single potentiometer		
	2	1	0396G	069480	• Instrument knob		

Headlight Whelen 71141

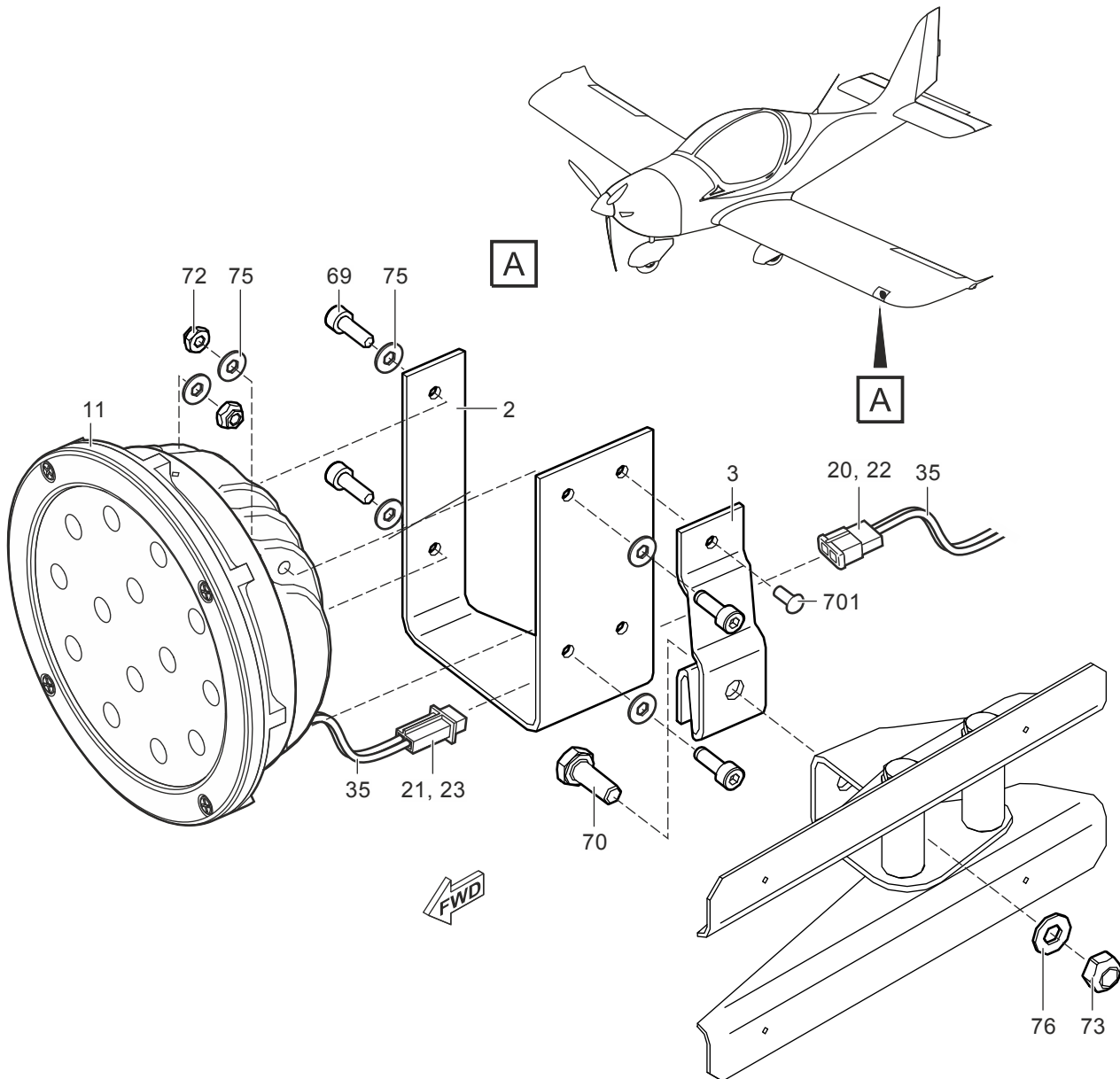
Illustrated parts data

Table of Contents	Page
Headlight Whelen 71141 - Illustrated parts data.....	1
Index of Tables	Page
1 References.....	1
Index of Figures	Page
1 Landing light Whelen 71141.....	2

References

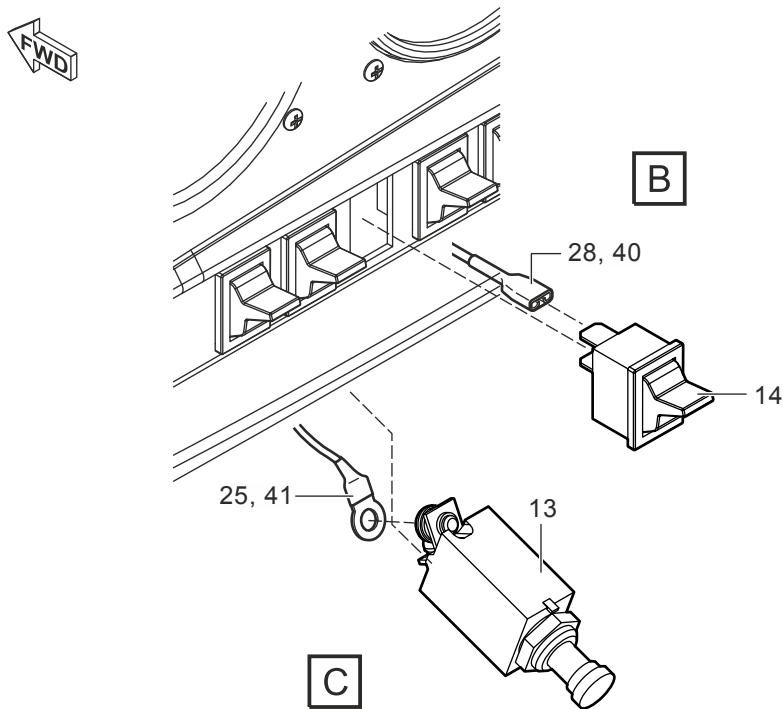
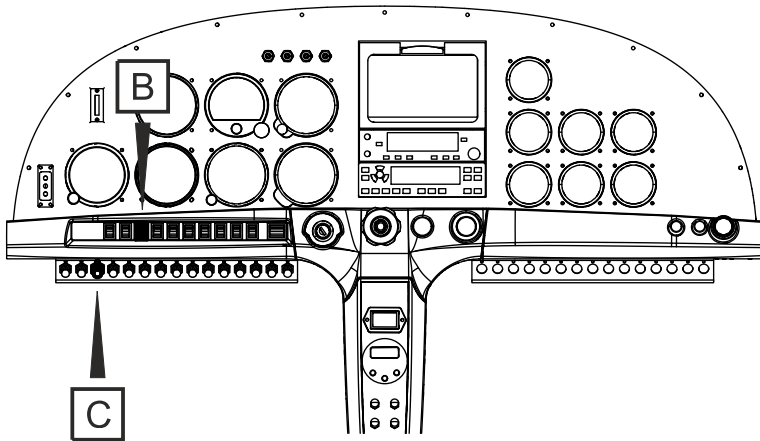
Table 1 References

Data module/Technical publication	Title
None	



ICN-SPORTSTAR-A-33-40-00-E-0396G-00024-A-001-01.CGM

Figure 1: Landing light Whelen 71141 (Sheet 1 of 2)



ICN-SPORTSTAR-A-33-40-00-E-0396G-00025-A-001-01.CGM

Figure 1: Landing light Whelen 71141 (Sheet 2 of 2)

Fig.	Item	Units per assembly / Units of issue	NCAGE	Part Number NATO Stock Number	Nomenclature	*Usable on code assy •MV/Effect	I C Y
1A							
-	0	1	0396G	E7 95-10 01	Landing light installation - Whelen 71141		
	2	1	0396G	E7 95-11 21	• Bracket		
	3	1	0396G	E7 95-12 21	• Mount		
	11	1	0396G	070316 (WHELEN 01-0771141-12)	• LED light Whellen 71141		
	13	1	0396G	739599	• Circuit breaker 2TC2-4		
	14	1	0396G	069110	• Switch		
	20	2	0396G	068640	• Connector - socket type		
	21	2	0396G	068641	• Connector - plug type		
	22	3	0396G	068647	• Socket (AWG20-16)		
	23	3	0396G	068649	• Plug (AWG20-16)		
	25	2	0396G	739772	• Ring cable eye		
	28	2	0396G	068636	• Connector Faston 4.8 (AWG22-16)		
	35	AR	0396G	739682	• Electrical wire AE20		
	40	AR	0396G	088086	• Shrink tube RNF-3000		
	41	AR	0396G	088087	• Shrink tube RNF-3000		
-	45	15	0396G	060332	• Cable tie		
-	46	10	0396G	060333	• Cable tie		
-	48	6	0396G	060465	• Self-adhesive clamp		
-	52	1	0396G	076809	• Bushing 5.5x1		
-	68	1	0396G	004974 (ISO 1207)	• Screw M4x10		
	69	4	0396G	004980 (ISO 1207)	• Screw M4x12		

Applicability: All

SPORTSTAR-A-33-40-01-01A-941A-D

Fig.	Item	Units per assembly / Units of issue	NCAGE	Part Number NATO Stock Number	Nomenclature	*Usable on code assy •MV/Effect	I C Y
1A							
	70	1	0396G	001930 (ISO 4017)	• Screw M6x16		
	72	5	0396G	033850 (DIN 980 V)	• Nut M4		
	73	1	0396G	033860 (DIN 980 V)	• Nut M6		
	75	9	0396G	038204 (ISO 7089)	• Washer 4.3		
	76	1	0396G	038206 (ISO 7089)	• Washer 6.4		
	701	2	0396G	047574 (AVDEL BN01-0512)	• Rivet 4x9.5		

This page has been intentionally left blank.

Headlight Whelen 71141

Illustrated parts data

Table of Contents

	Page
Headlight Whelen 71141 - Illustrated parts data.....	1

Index of Tables

	Page
1 References.....	1

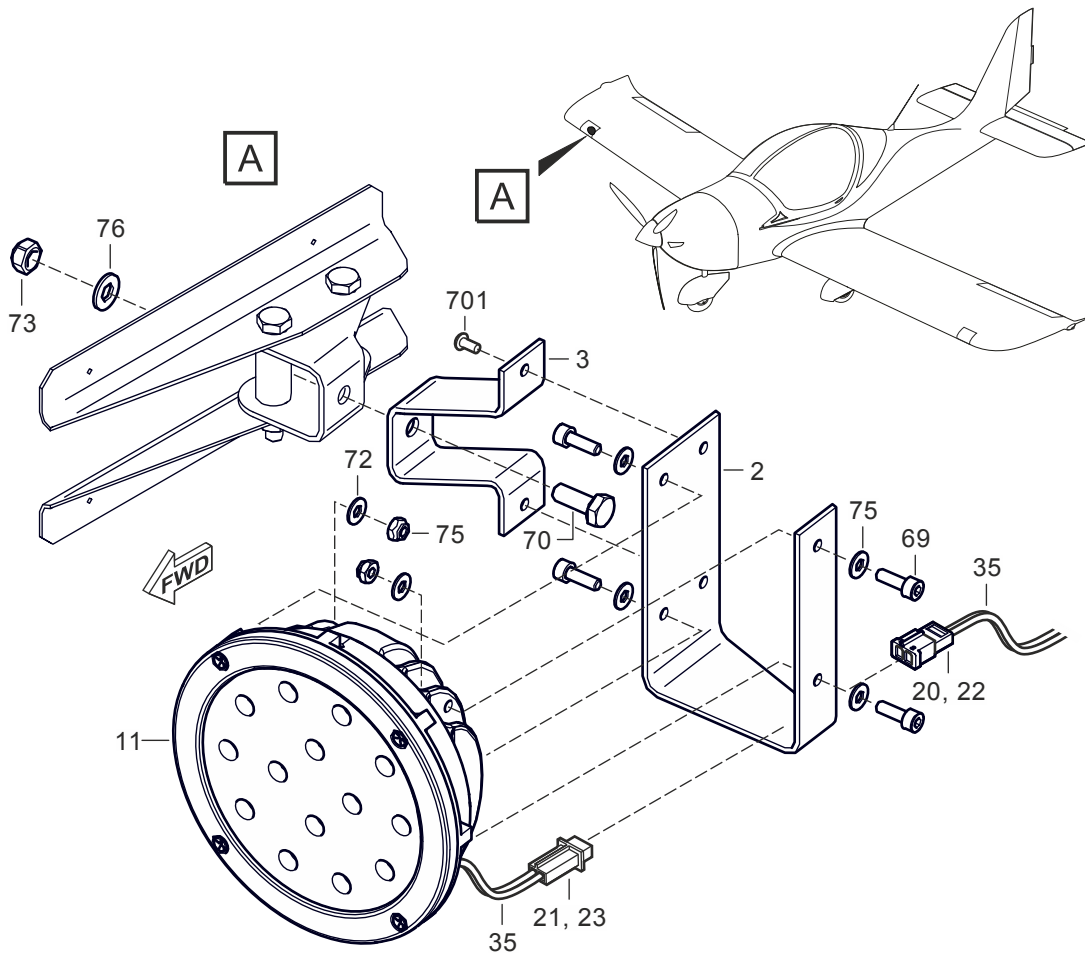
Index of Figures

	Page
1 Taxi light Whellen 71141.....	2

References

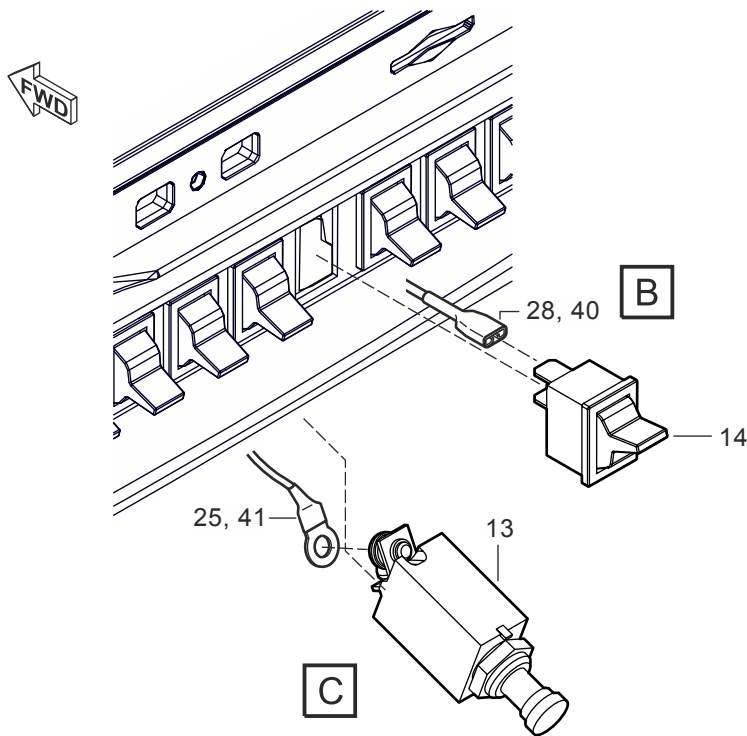
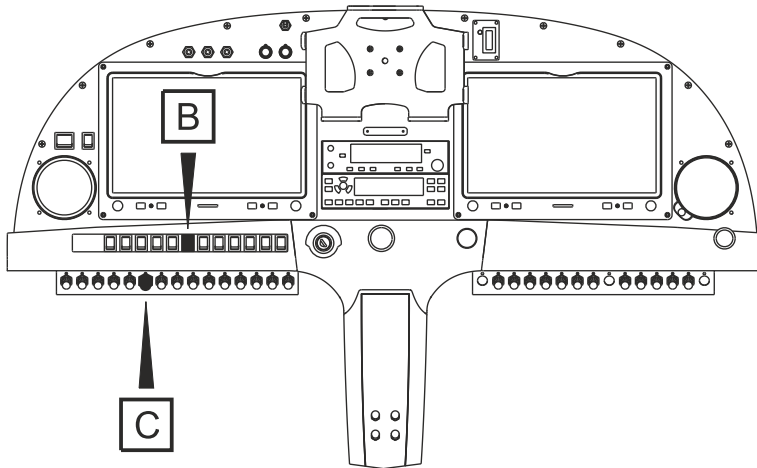
Table 1 References

Data module/Technical publication	Title
None	



ICN-SPORTSTAR-A-33-40-00-E-0396G-00204-A-000-01.CGM

Figure 1: Taxi light Whellen 71141 (Sheet 1 of 2)



ICN-SPORTSTAR-A-33-40-00-E-0396G-00205-A-000-01.CGM

Figure 1: Taxi light Whellen 71141 (Sheet 2 of 2)

Fig.	Item	Units per assembly / Units of issue	NCAGE	Part Number NATO Stock Number	Nomenclature	*Usable on code assy •MV/Effect	I C Y
1B	-	0	1	0396G	S7 91-10 01	Taxi light installation - Whellen 71141	

Applicability: All

SPORTSTAR-A-33-40-01-01B-941A-D

Fig.	Item	Units per assembly / Units of issue	NCAGE	Part Number NATO Stock Number	Nomenclature	*Usable on code assy •MV/Effect	I C Y
1B							
	2	1	0396G	E7 95-11 21	• Bracket		
	3	1	0396G	E7 95-12 21	• Mount		
	11	1	0396G	070316 (WHELEN 01-0771141-12)	• LED light Whellen 71141		
	13	1	0396G	739599	• Circuit breaker 2TC2-4		
	14	1	0396G	069110	• Switch		
	20	2	0396G	068640	• Connector - socket type		
	21	2	0396G	068641	• Connector - plug type		
	22	3	0396G	068647	• Socket (AWG20-16)		
	23	3	0396G	068649	• Plug (AWG20-16)		
	25	2	0396G	739772	• Ring cable eye		
	28	2	0396G	068636	• Connector Faston 4.8 (AWG22-16)		
	35	AR	0396G	739682	• Electrical wire AE20		
	40	AR	0396G	088086	• Shrink tube RNF-3000		
	41	AR	0396G	088087	• Shrink tube RNF-3000		
-	45	15	0396G	060332	• Cable tie		
-	46	10	0396G	060333	• Cable tie		
-	48	6	0396G	060465	• Self-adhesive clamp		
-	52	1	0396G	076809	• Bushing 5.5x1		
-	68	1	0396G	004974 (ISO 1207)	• Screw M4x10		
	69	4	0396G	004980 (ISO 1207)	• Screw M4x12		
	70	1	0396G	001930 (ISO 4017)	• Screw M6x16		

Applicability: All

SPORTSTAR-A-33-40-01-01B-941A-D

Fig.	Item	Units per assembly / Units of issue	NCAGE	Part Number NATO Stock Number	Nomenclature	*Usable on code assy •MV/Effect	I C Y
1B							
	72	5	0396G	033850 (DIN 980 V)	• Nut M4		
	73	1	0396G	033860 (DIN 980 V)	• Nut M6		
	75	9	0396G	038204 (ISO 7089)	• Washer 4.3		
	76	1	0396G	038206 (ISO 7089)	• Washer 6.4		
	701	2	0396G	047574 (AVDEL BN01-0512)	• Rivet 4x9.5		

This page has been intentionally left blank.

Headlight Whelen 71141

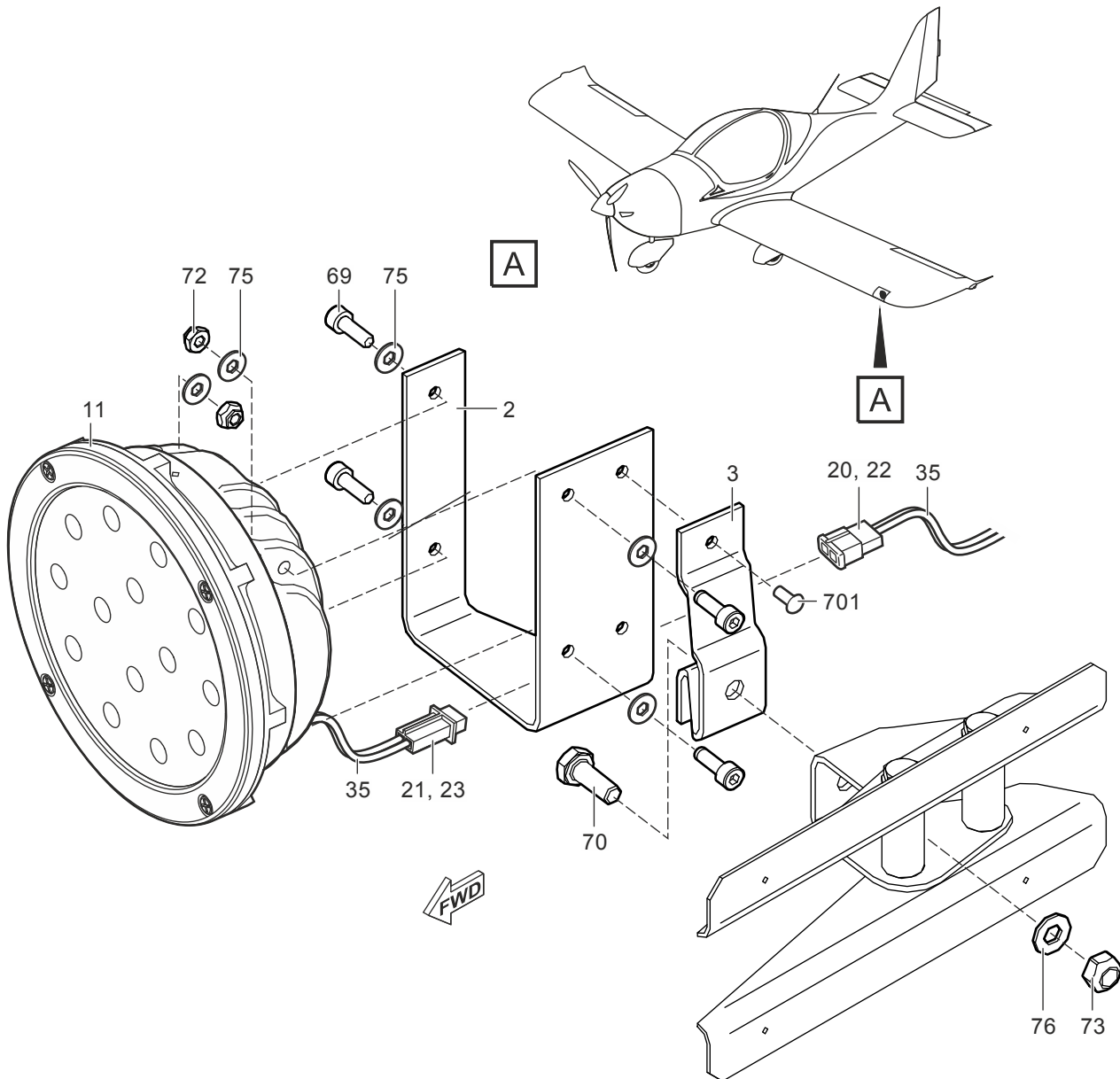
Illustrated parts data

Table of Contents	Page
Headlight Whelen 71141 - Illustrated parts data.....	1
Index of Tables	Page
1 References.....	1
Index of Figures	Page
1 Landing light Whelen 71141 - NVFR installation.....	2

References

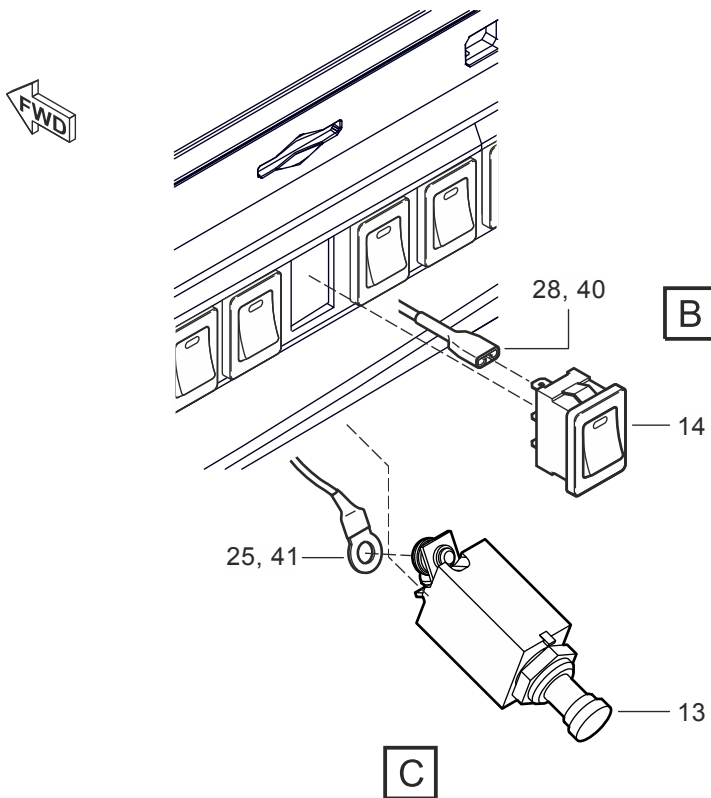
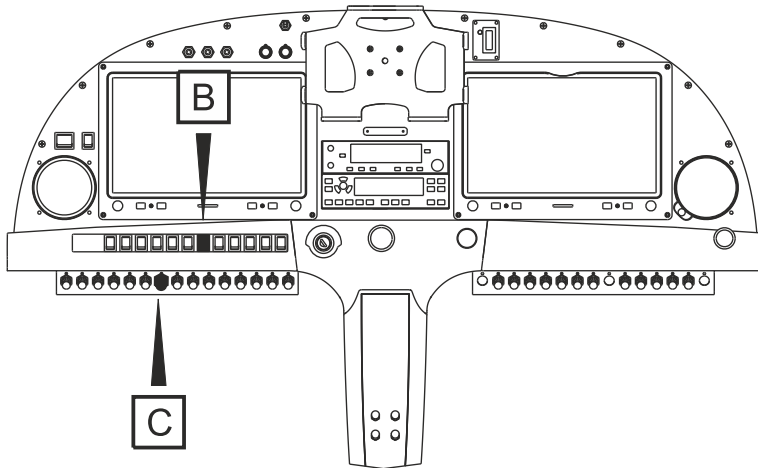
Table 1 References

Data module/Technical publication	Title
None	



ICN-SPORTSTAR-A-33-40-00-E-0396G-00174-A-000-01.CGM

Figure 1: Landing light Whelen 71141 - NVFR installation (Sheet 1 of 2)



ICN-SPORTSTAR-A-33-40-00-E-0396G-00175-A-000-01.CGM

Figure 1: Landing light Whelen 71141 - NVFR installation (Sheet 2 of 2)

Fig.	Item	Units per assembly / Units of issue	NCAGE	Part Number NATO Stock Number	Nomenclature	*Usable on code assy •MV/Effect	I C Y
1C							
-	0	1	0396G	S7 91-11 99	Landing light Whelen 71141 - NVFR installation		
	2	1	0396G	E7 95-11 21	• Bracket		
	3	1	0396G	E7 95-12 21	• Mount		
	11	1	0396G	070316 (WHELEN 01-0771141-12)	• LED light Whellen 71141		
	13	1	0396G	739599	• Circuit breaker 2TC2-4		
	14	1	0396G	069135	• Switch illuminated		
	20	2	0396G	068640	• Connector - socket type		
	21	2	0396G	068641	• Connector - plug type		
	22	3	0396G	068647	• Socket (AWG20-16)		
	23	3	0396G	068649	• Plug (AWG20-16)		
	25	2	0396G	739772	• Ring cable eye		
	28	2	0396G	068636	• Connector Faston 4.8 (AWG22-16)		
	35	AR	0396G	739682	• Electrical wire AE20		
	40	AR	0396G	088086	• Shrink tube RNF-3000		
	41	AR	0396G	088087	• Shrink tube RNF-3000		
-	45	15	0396G	060332	• Cable tie		
-	46	10	0396G	060333	• Cable tie		
-	48	6	0396G	060465	• Self-adhesive clamp		
-	52	1	0396G	076809	• Bushing 5.5x1		
-	68	1	0396G	004974 (ISO 1207)	• Screw M4x10		
	69	4	0396G	004980 (ISO 1207)	• Screw M4x12		

Applicability: All

SPORTSTAR-A-33-40-01-01C-941A-D

Fig.	Item	Units per assembly / Units of issue	NCAGE	Part Number NATO Stock Number	Nomenclature	*Usable on code assy •MV/Effect	I C Y
1C							
	70	1	0396G	001930 (ISO 4017)	• Screw M6x16		
	72	5	0396G	033850 (DIN 980 V)	• Nut M4		
	73	1	0396G	033860 (DIN 980 V)	• Nut M6		
	75	9	0396G	038204 (ISO 7089)	• Washer 4.3		
	76	1	0396G	038206 (ISO 7089)	• Washer 6.4		
	701	2	0396G	047574 (AVDEL BN01-0512)	• Rivet 4x9.5		

This page has been intentionally left blank.

Headlight Whelen 71141

Illustrated parts data

Table of Contents	Page
Headlight Whelen 71141 - Illustrated parts data.....	1

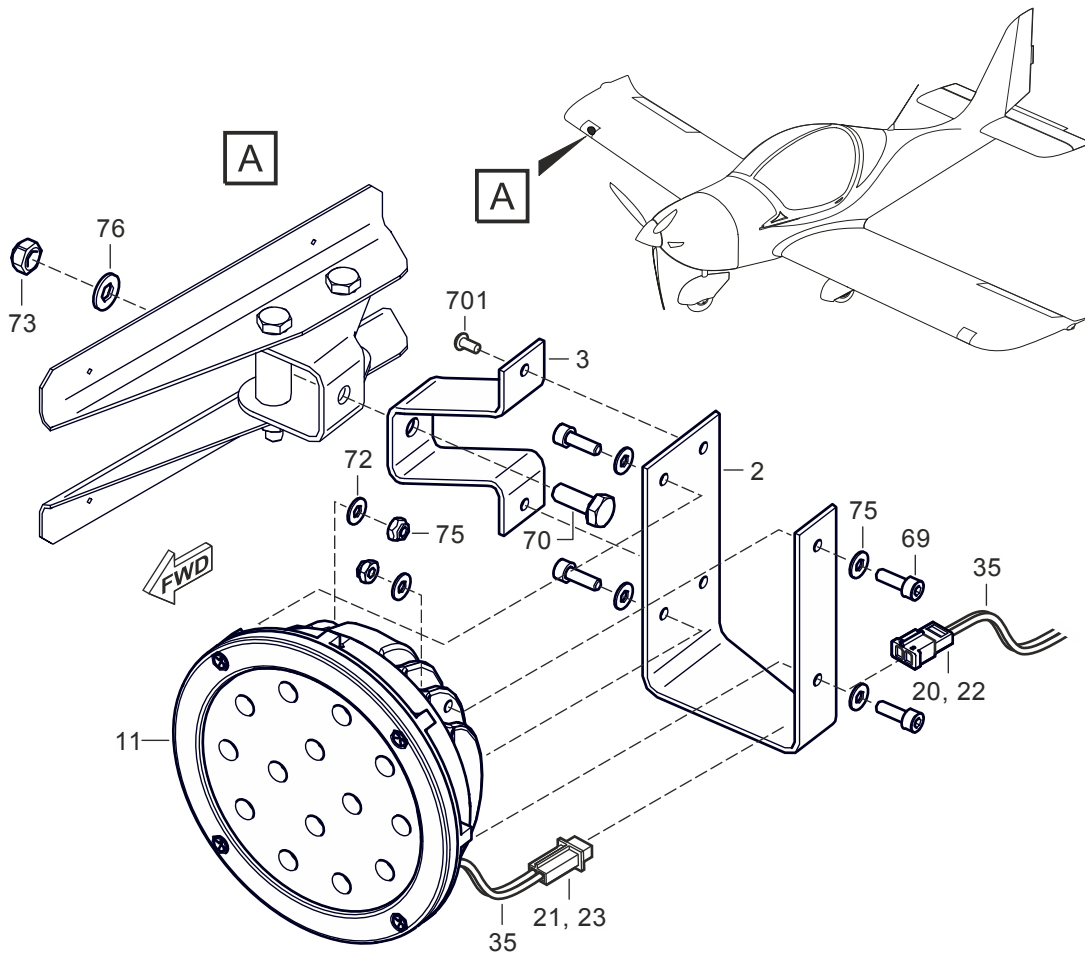
Index of Tables	Page
1 References.....	1

Index of Figures	Page
1 	2

References

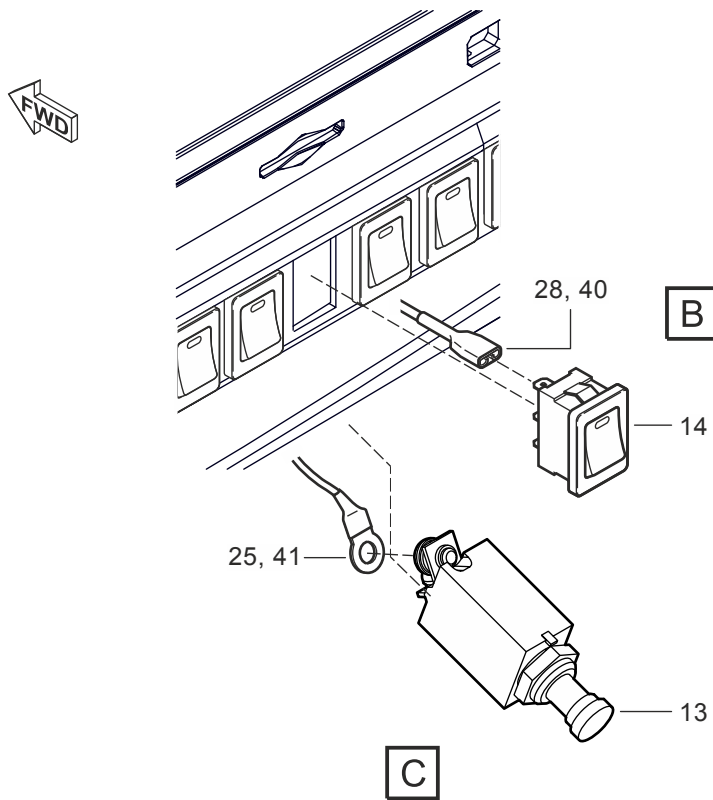
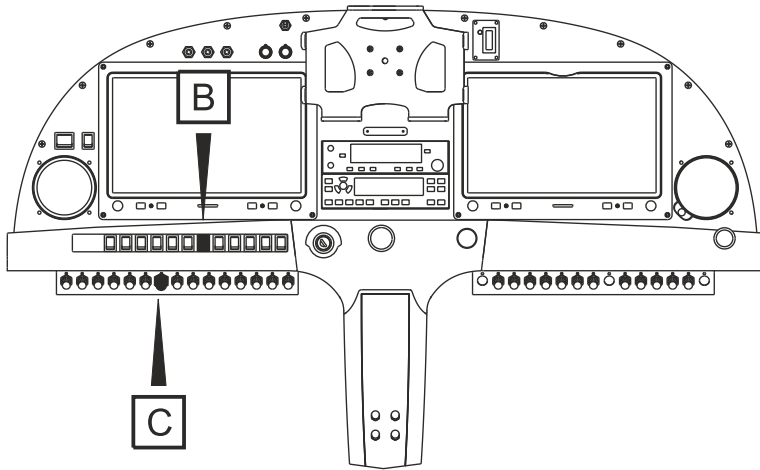
Table 1 References

Data module/Technical publication	Title
None	



ICN-SPORTSTAR-A-33-40-00-E-0396G-00206-A-000-01.CGM

Figure 1: (Sheet 1 of 2)



ICN-SPORTSTAR-A-33-40-00-E-0396G-00175-A-000-01.CGM
 Figure 1: (Sheet 2 of 2)

Fig.	Item	Units per assembly / Units of issue	NCAGE	Part Number NATO Stock Number	Nomenclature	*Usable on code assy •MV/Effect	I C Y
1D							
-	0	1	0396G	S7 91-10 99	Taxi light Whelen 71141 - NVFR installation		
	2	1	0396G	E7 95-11 21	• Bracket		
	3	1	0396G	E7 95-12 21	• Mount		
	11	1	0396G	070316 (WHELEN 01-0771141-12)	• LED light Whellen 71141		
	13	1	0396G	739599	• Circuit breaker 2TC2-4		
	14	1	0396G	069135	• Switch illuminated		
	20	2	0396G	068640	• Connector - socket type		
	21	2	0396G	068641	• Connector - plug type		
	22	3	0396G	068647	• Socket (AWG20-16)		
	23	3	0396G	068649	• Plug (AWG20-16)		
	25	2	0396G	739772	• Ring cable eye		
	28	2	0396G	068636	• Connector Faston 4.8 (AWG22-16)		
	35	AR	0396G	739682	• Electrical wire AE20		
	40	AR	0396G	088086	• Shrink tube RNF-3000		
	41	AR	0396G	088087	• Shrink tube RNF-3000		
-	45	15	0396G	060332	• Cable tie		
-	46	10	0396G	060333	• Cable tie		
-	48	6	0396G	060465	• Self-adhesive clamp		
-	52	1	0396G	076809	• Bushing 5.5x1		
-	68	1	0396G	004974 (ISO 1207)	• Screw M4x10		
	69	4	0396G	004980 (ISO 1207)	• Screw M4x12		

Applicability: All

SPORTSTAR-A-33-40-01-01D-941A-D

Fig.	Item	Units per assembly / Units of issue	NCAGE	Part Number NATO Stock Number	Nomenclature	*Usable on code assy •MV/Effect	I C Y
1D							
	70	1	0396G	001930 (ISO 4017)	• Screw M6x16		
	72	5	0396G	033850 (DIN 980 V)	• Nut M4		
	73	1	0396G	033860 (DIN 980 V)	• Nut M6		
	75	9	0396G	038204 (ISO 7089)	• Washer 4.3		
	76	1	0396G	038206 (ISO 7089)	• Washer 6.4		
	701	2	0396G	047574 (AVDEL BN01-0512)	• Rivet 4x9.5		

This page has been intentionally left blank.

Position and strobe lights Whelen 90340

Illustrated parts data

Table of Contents	Page
Position and strobe lights Whelen 90340 - Illustrated parts data.....	1

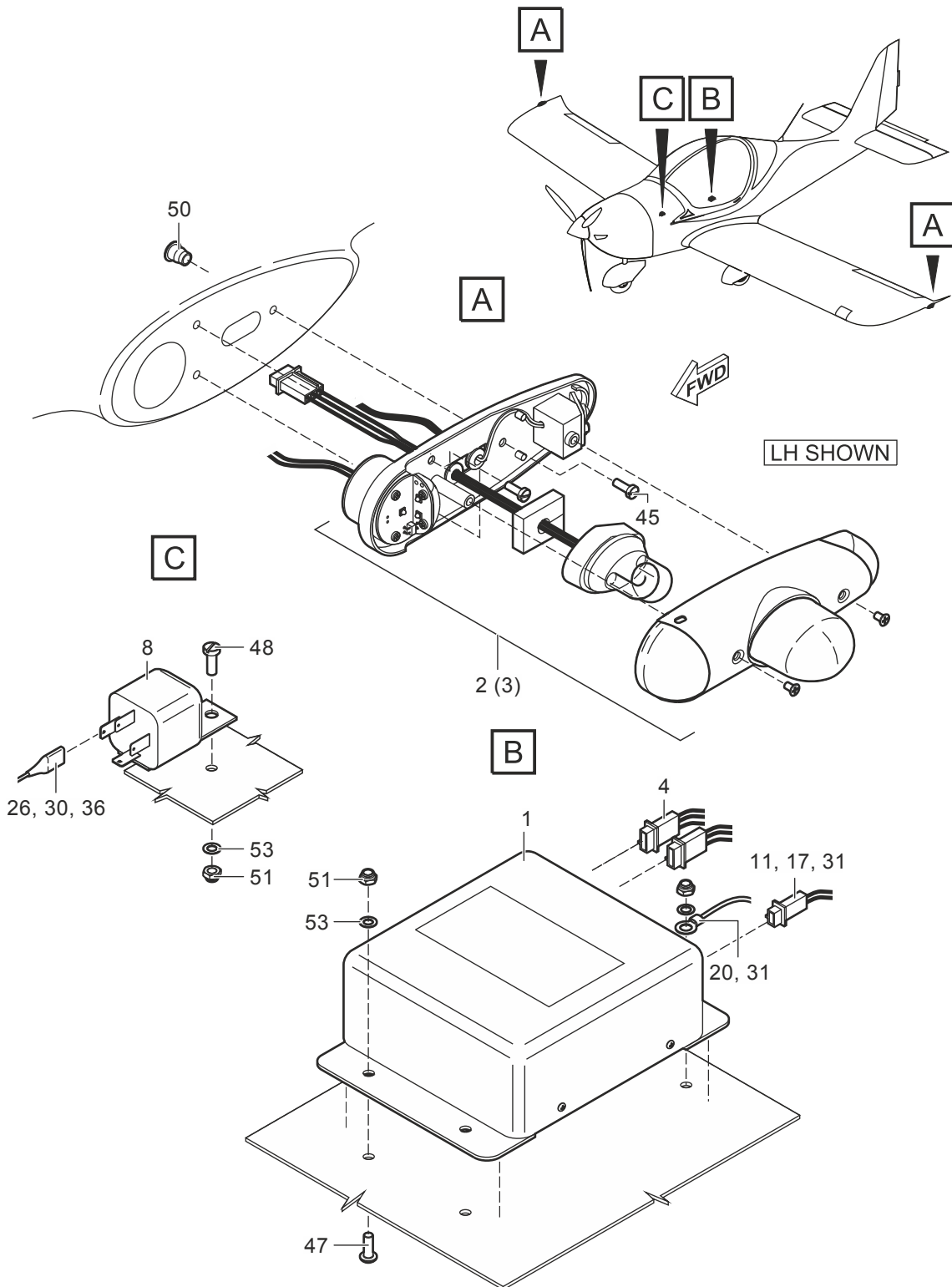
Index of Tables	Page
1 References.....	1

Index of Figures	Page
1 Position and strobe lights Whelen 90340.....	2

References

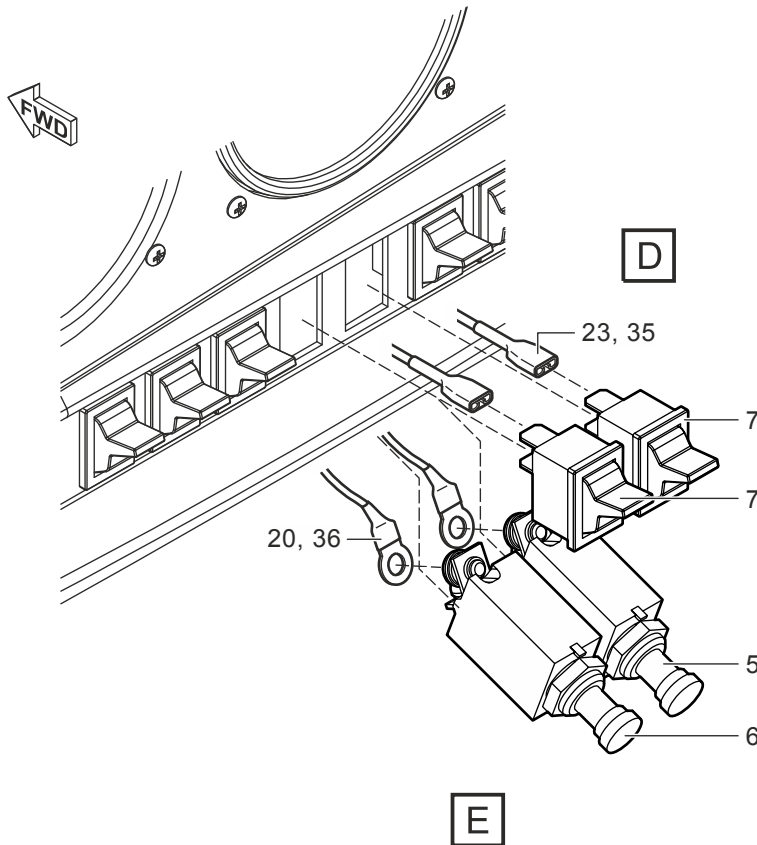
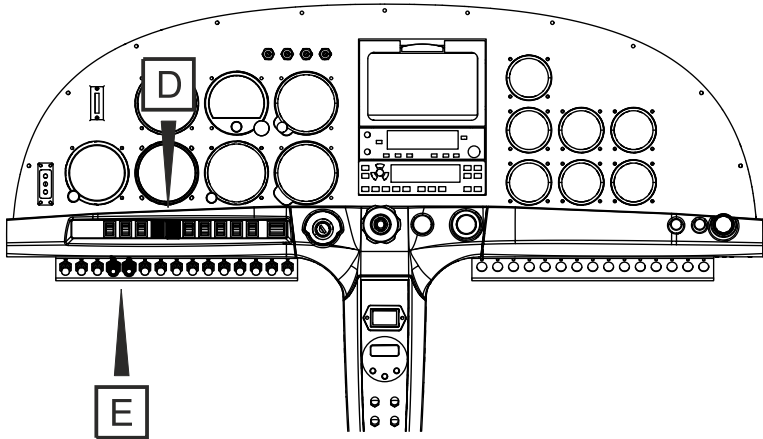
Table 1 References

Data module/Technical publication	Title
None	



ICN-SPORTSTAR-A-33-40-00-E-0396G-00028-A-001-01.CGM

Figure 1: Position and strobe lights Whelen 90340 (Sheet 1 of 2)



ICN-SPORTSTAR-A-33-40-00-E-0396G-00029-A-001-01.CGM

Figure 1: Position and strobe lights Whelen 90340 (Sheet 2 of 2)

Fig.	Item	Units per assembly / Units of issue	NCAGE	Part Number NATO Stock Number	Nomenclature	*Usable on code assy •MV/Effect	I C Y
1A							
-	0	1	0396G	E7 91-10 01	Position and strobe lights Whelen 90340		
	1	1	0396G	738578 (WHELEN 01-0770169-03)	• Power supply		
	2	1	0396G	738613 (WHELEN 01-0790340-02)	• LED position and strobe light - left		
	3	1	0396G	738614 (WHELEN 01-0790340-01)	• LED position and strobe light - right		
	4	2	0396G	738581 (WHELEN 01-0750214-00)	• Installation kit		
	5	1	0396G	739589	• Circuit breaker 2TC2-7.5		
	6	1	0396G	739586	• Circuit breaker 2TC2-2		
	7	2	0396G	069110	• Switch		
	8	1	0396G	069674	• Switch relay 12V/30A		
	10	2	0396G	068640	• Connector - socket type		
	11	2	0396G	068641	• Connector - plug type		
	12	2	0396G	068642	• Connector - socket type		
	13	2	0396G	068643	• Connector - plug type		
	14	2	0396G	068646	• Socket (AWG22-18)		
	15	6	0396G	068647	• Socket (AWG20-16)		
	16	2	0396G	068648	• Plug (AWG22-18)		
	17	6	0396G	068649	• Plug (AWG20-16)		
	20	6	0396G	739772	• Ring cable eye		
	23	4	0396G	068636	• Connector Faston 4.8 (AWG22-16)		

Fig.	Item	Units per assembly / Units of issue	NCAGE	Part Number NATO Stock Number	Nomenclature	*Usable on code assy •MV/Effect	I C Y
1A							
	26	4	0396G	068637	• Connector Faston 6.3 (AWG22-16)		
	30	AR	0396G	739681	• Electrical wire AE22		
	31	AR	0396G	739682	• Electrical wire AE20		
	35	AR	0396G	088087	• Shrink tube RNF-3000		
	36	AR	0396G	088088	• Shrink tube RNF-3000		
-	40	25	0396G	060332	• Cable tie		
-	41	40	0396G	060333	• Cable tie		
	43	10	0396G	060465	• Self-adhesive clamp		
	45	6	0396G	004997 (ISO 1207)	• Screw M4x16		
	47	4	0396G	004986	• Screw M4x16		
	48	1	0396G	004980 (ISO 1207)	• Screw M4x12		
-	49	2	0396G	004974 (ISO 1207)	• Screw M4x10		
	50	6	0396G	035410	• Anchor nut M4		
	51	7	0396G	035414 (DIN 985)	• Nut M4		
	53	7	0396G	038204 (ISO 7089)	• Washer 4.3		

This page has been intentionally left blank.

Position and anticollision lights Whelen Orion 600

Illustrated parts data

Table of Contents	Page
Position and anticollision lights Whelen Orion 600 - Illustrated parts data.....	1

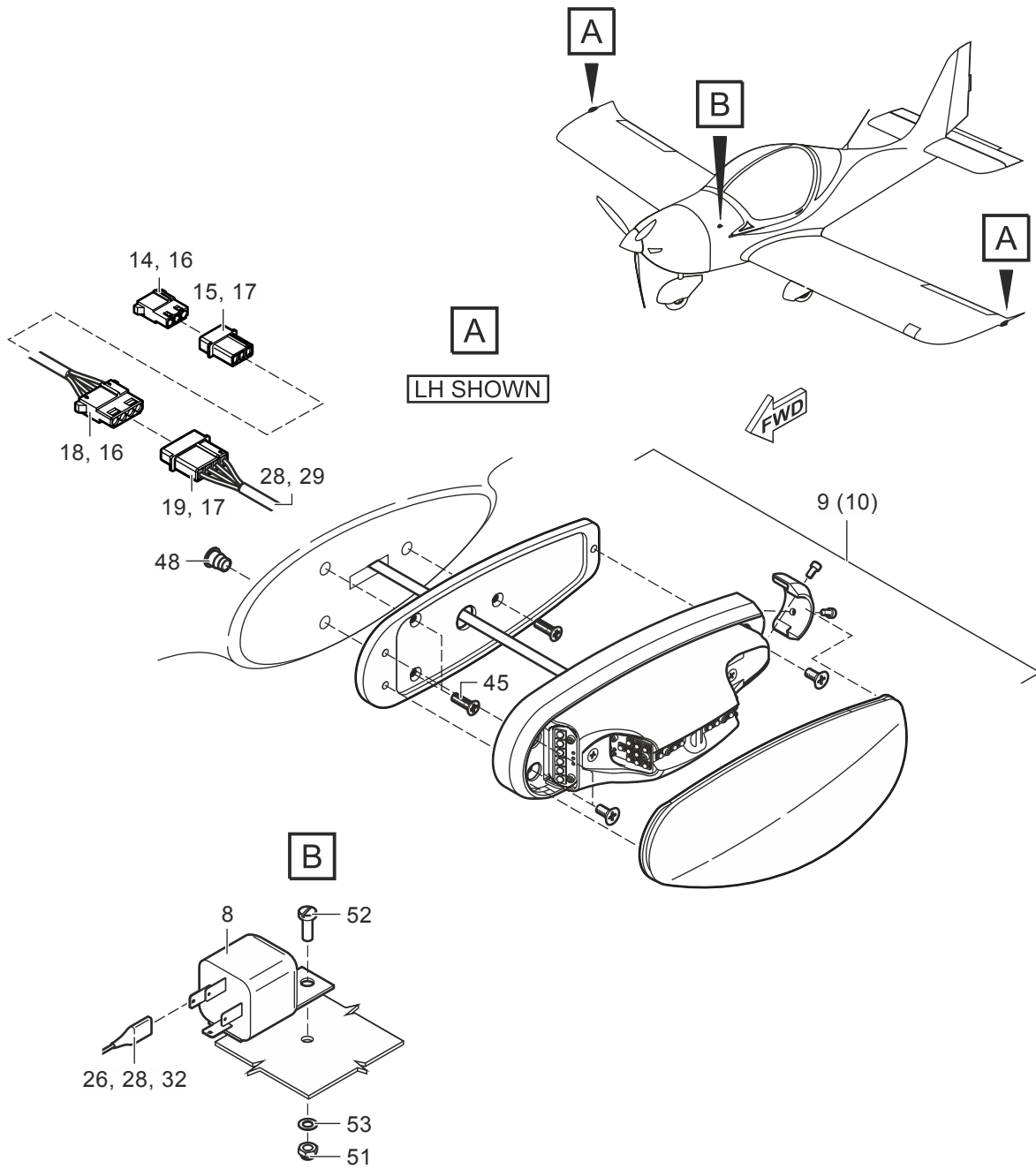
Index of Tables	Page
1 References.....	1

Index of Figures	Page
1 Position and anticollision lights Wheelen Orion 600.....	2

References

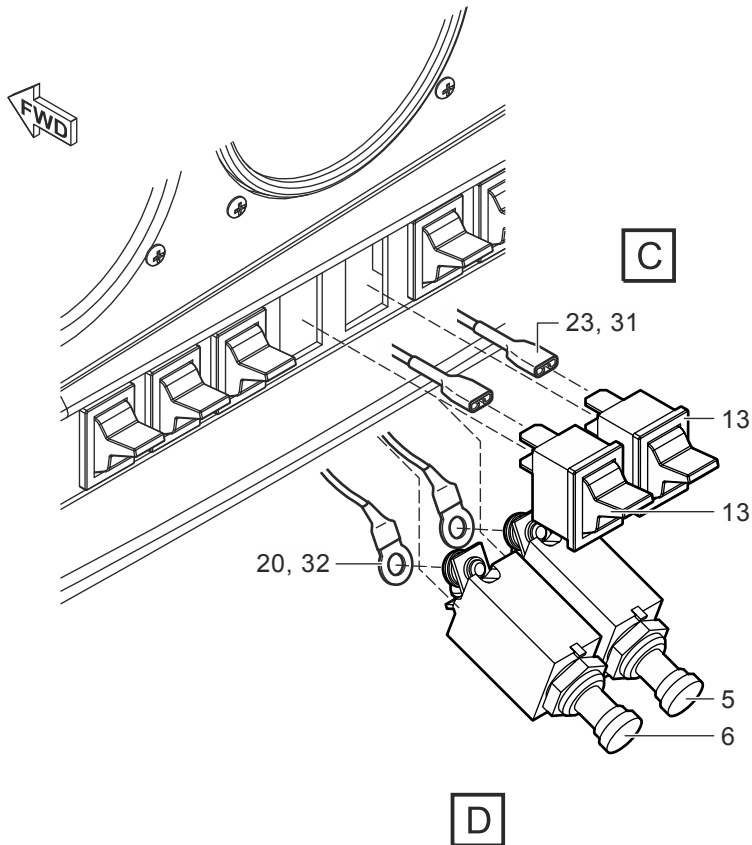
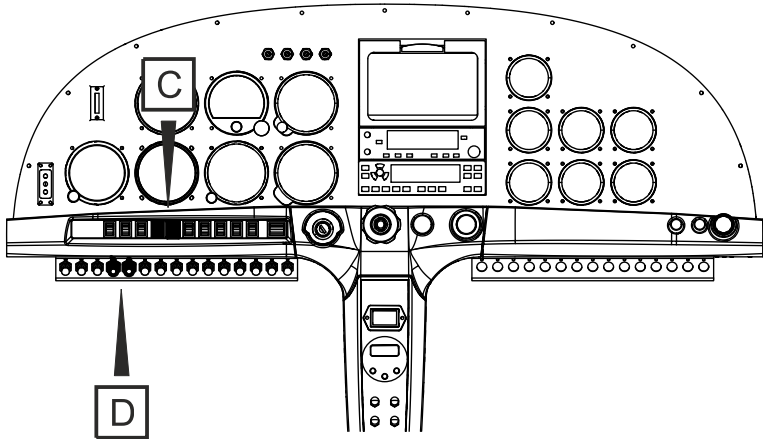
Table 1 References

Data module/Technical publication	Title
None	



ICN-SPORTSTAR-A-33-40-03-E-0396G-00158-A-001-01.CGM

Figure 1: Position and anticollision lights Wheelen Orion 600 (Sheet 1 of 2)



ICN-SPORTSTAR-A-33-40-03-E-0396G-00159-A-001-01.CGM

Figure 1: Position and anticollision lights Wheelen Orion 600 (Sheet 2 of 2)

Fig.	Item	Units per assembly / Units of issue	NCAGE	Part Number NATO Stock Number	Nomenclature	*Usable on code assy •MV/Effect	I C Y
1A							
-	0	1	0396G	S7 91-01 01	Position and anticollision lights Whelen Orion 600		
	5	1	0396G	739589	• Circuit breaker 2TC2-7.5		
	6	1	0396G	739586	• Circuit breaker 2TC2-2		
	8	1	0396G	069674	• Switch relay 12V/30A		
	9	1	0396G	738657	• Position and anticollision light L		
	10	1	0396G	738658	• Position and anticollision light R		
	13	2	0396G	069110	• Switch		
	14	2	0396G	068642	• Connector - socket type		
	15	2	0396G	068643	• Connector - plug type		
	16	14	0396G	068646	• Socket (AWG22-18)		
	17	14	0396G	068648	• Plug (AWG22-18)		
	18	2	0396G	068644	• Connector - socket type		
	19	2	0396G	068645	• Connector - plug type		
	20	5	0396G	739772	• Ring cable eye		
	23	4	0396G	068636	• Connector Faston 4.8 (AWG22-16)		
	26	4	0396G	068637	• Connector Faston 6.3 (AWG22-16)		
	28	AR	0396G	739681	• Electrical wire AE22		
	29	AR	0396G	739682	• Electrical wire AE20		
	31	AR	0396G	088086	• Shrink tube RNF-3000		
	32	AR	0396G	088087	• Shrink tube RNF-3000		

Fig.	Item	Units per assembly / Units of issue	NCAGE	Part Number NATO Stock Number	Nomenclature	*Usable on code assy •MV/Effect	I C Y
1A							
-	35	35	0396G	060332	• Cable tie		
-	36	10	0396G	060333	• Cable tie		
-	38	7	0396G	060465	• Self-adhesive clamp		
-	42	2	0396G	076809	• Bushing 5.5x1		
	45	6	0396G	009818 (ISO 7046-1)	• Screw M3x16		
	48	6	0396G	035425	• Anchor nut M3		
	51	1	0396G	035414 (DIN 985)	• Nut M4		
	52	1	0396G	004980 (ISO 1207)	• Screw M4x12		
	53	1	0396G	038204 (ISO 7089)	• Washer 4.3		

This page has been intentionally left blank.

Position and anticollision lights Whelen Orion 600

Illustrated parts data

Table of Contents	Page
Position and anticollision lights Whelen Orion 600 - Illustrated parts data.....	1

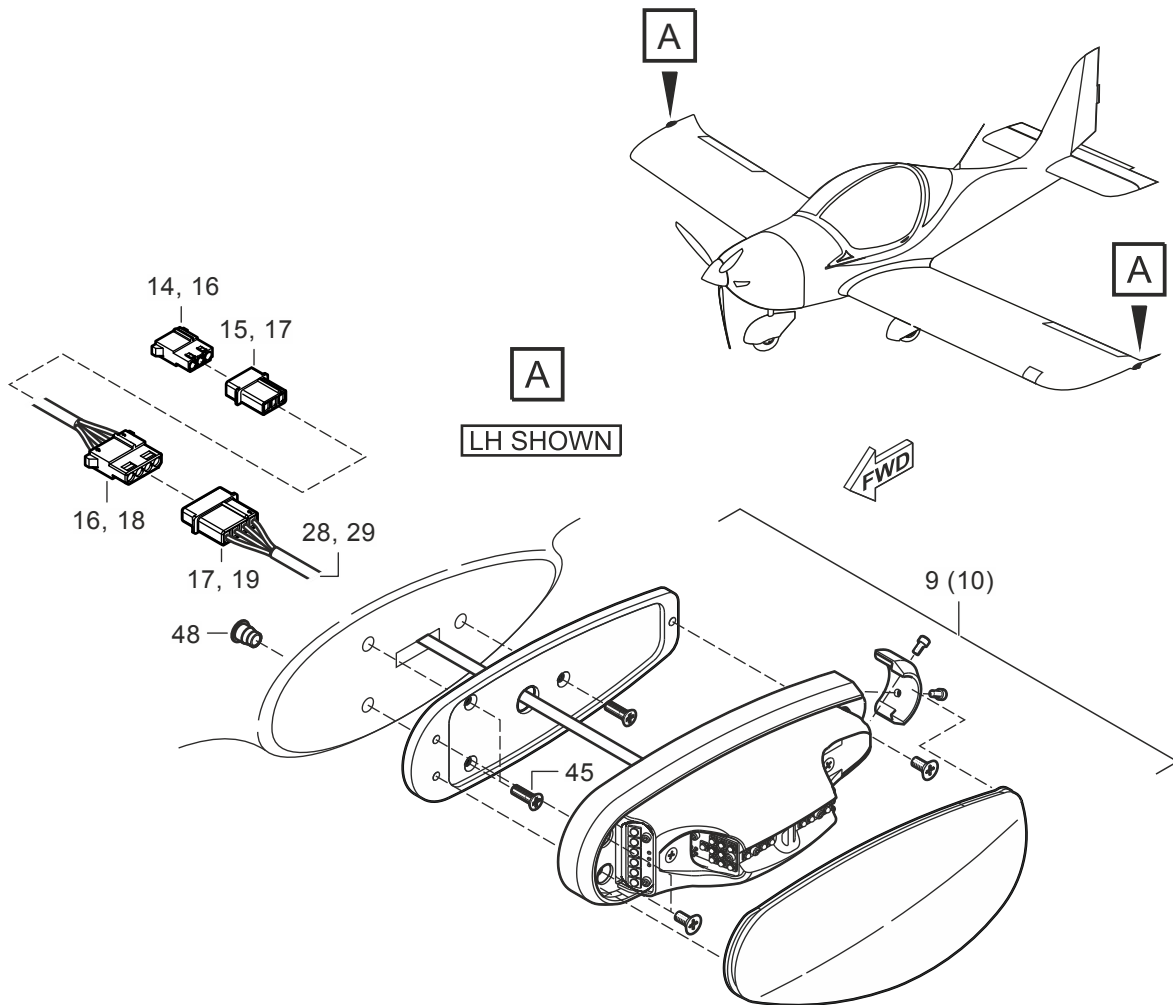
Index of Tables	Page
1 References.....	1

Index of Figures	Page
1 Position and anticollision lights Whelen Orion 600 - NVFR installation.....	2

References

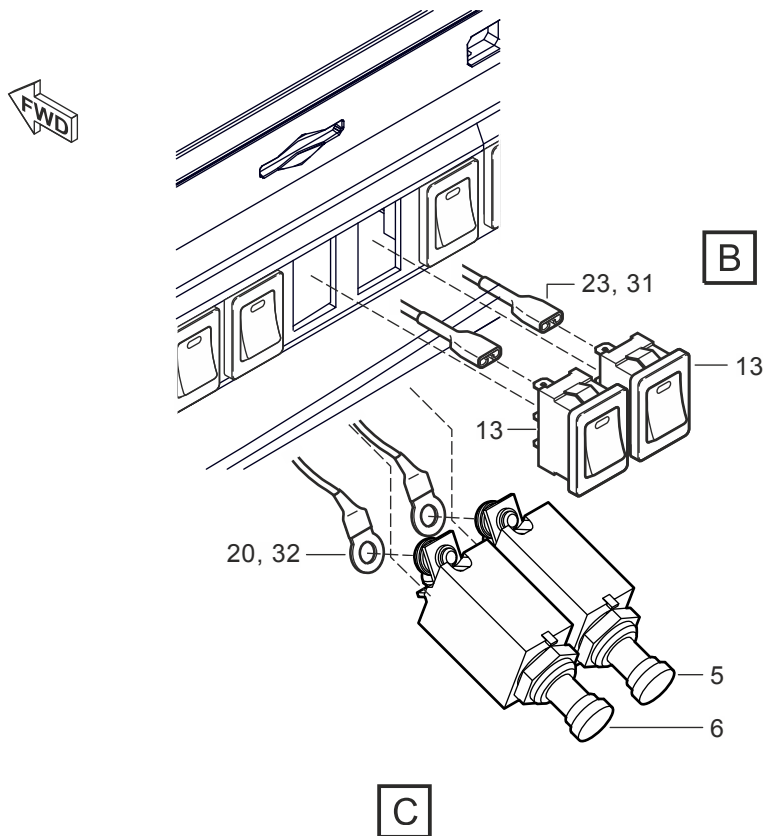
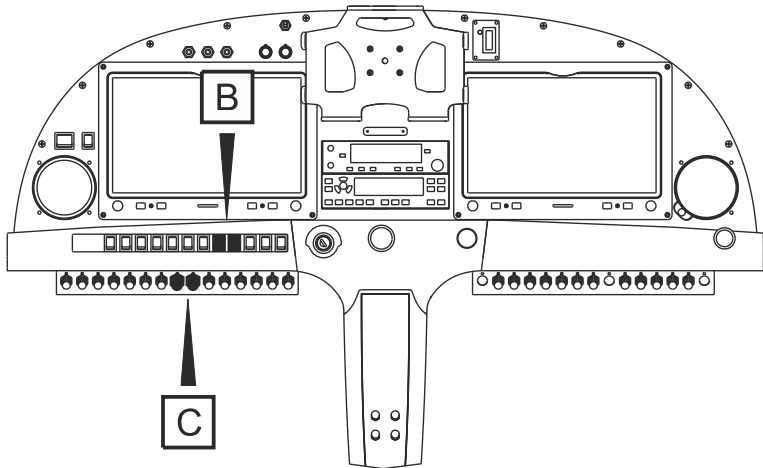
Table 1 References

Data module/Technical publication	Title
None	



ICN-SPORTSTAR-A-33-40-00-E-0396G-00184-A-000-01.CGM

Figure 1: Position and anticollision lights Whelen Orion 600 - NVFR installation (Sheet 1 of 2)



ICN-SPORTSTAR-A-33-40-00-E-0396G-00185-A-000-01.CGM

Figure 1: Position and anticollision lights Whelen Orion 600 - NVFR installation (Sheet 2 of 2)

Fig.	Item	Units per assembly / Units of issue	NCAGE	Part Number NATO Stock Number	Nomenclature	*Usable on code assy •MV/Effect	I C Y
1B							
-	0	1	0396G	S7 91-01 99	Position and anticollision lights Whelen Orion 600 - NVFR installation		
	5	1	0396G	739589	• Circuit breaker 2TC2-7.5		
	6	1	0396G	739586	• Circuit breaker 2TC2-2		
	9	1	0396G	738657	• Position and anticollision light L		
	10	1	0396G	738658	• Position and anticollision light R		
	13	2	0396G	069135	• Switch illuminated		
	14	2	0396G	068642	• Connector - socket type		
	15	2	0396G	068643	• Connector - plug type		
	16	14	0396G	068646	• Socket (AWG22-18)		
	17	14	0396G	068648	• Plug (AWG22-18)		
	18	2	0396G	068644	• Connector - socket type		
	19	2	0396G	068645	• Connector - plug type		
	20	7	0396G	739772	• Ring cable eye		
	23	6	0396G	068636	• Connector Faston 4.8 (AWG22-16)		
	28	AR	0396G	739681	• Electrical wire AE22		
	29	AR	0396G	739682	• Electrical wire AE20		
	31	AR	0396G	088086	• Shrink tube RNF-3000		
	32	AR	0396G	088087	• Shrink tube RNF-3000		
-	35	35	0396G	060332	• Cable tie		
-	36	10	0396G	060333	• Cable tie		

Fig.	Item	Units per assembly / Units of issue	NCAGE	Part Number NATO Stock Number	Nomenclature	*Usable on code assy •MV/Effect	I C Y
1B							
-	38	7	0396G	060465	• Self-adhesive clamp		
-	42	2	0396G	076809	• Bushing 5.5x1		
	45	6	0396G	009818 (ISO 7046-1)	• Screw M3x16		
	48	6	0396G	035425	• Anchor nut M3		

This page has been intentionally left blank.

Outside air thermometer

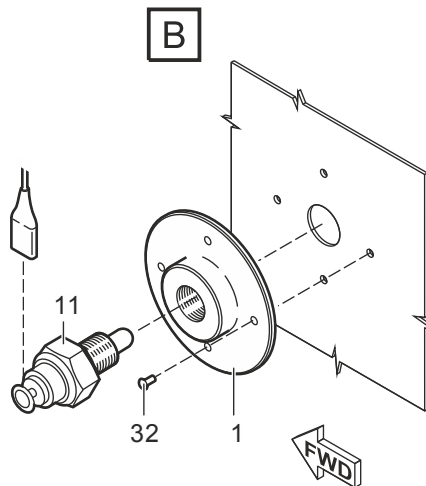
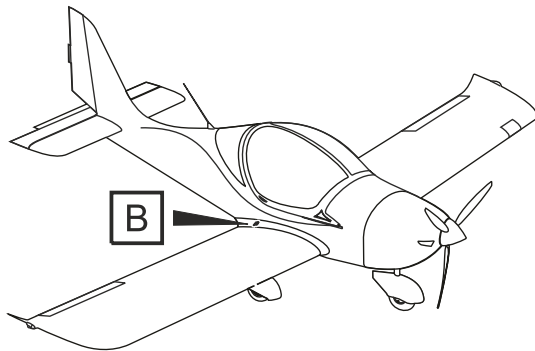
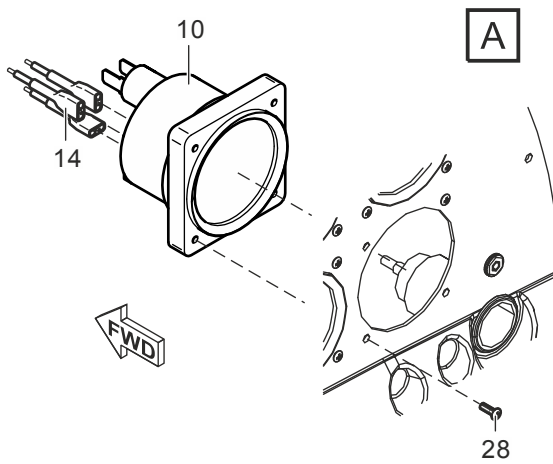
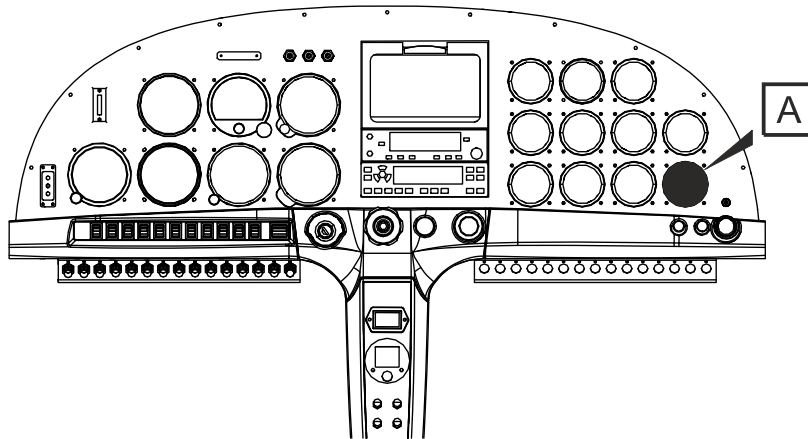
Illustrated parts data

Table of Contents	Page
Outside air thermometer - Illustrated parts data.....	1
Index of Tables	Page
1 References.....	1
Index of Figures	Page
1 Outside air thermometer.....	2

References

Table 1 References

Data module/Technical publication	Title
None	



ICN-SPORTSTAR-A-34-10-00-E-0396G-00135-A-001-01.CGM
 Figure 1: Outside air thermometer

Fig.	Item	Units per assembly / Units of issue	NCAGE	Part Number NATO Stock Number	Nomenclature	*Usable on code assy •MV/Effect	I C Y
1A							
-	0	1	0396G	E7 65-20 01	Outside air thermometer		
	1	1	0396G	E7 65-21 21	• Bracket		
	10	1	0396G	080325	• Thermometer		
	11	1	0396G	080326	• Temperature sensor		
-	13	3	0396G	739772	• Ring cable eye		
	14	3	0396G	068637	• Connector Faston 6.3 (AWG22-16)		
-	17	AR	0396G	739681	• Electrical wire AE22		
-	18	AR	0396G	088086	• Shrink tube RNF-3000		
-	19	AR	0396G	088087	• Shrink tube RNF-3000		
-	22	10	0396G	060332	• Cable tie		
-	23	5	0396G	060333	• Cable tie		
-	24	3	0396G	060465	• Self-adhesive clamp		
	28	4	0396G	023805	• Screw 6-32x0.75"		
	32	4	0396G	044434	• Rivet 3.2x7.1		

This page has been intentionally left blank.

SkyView ADAHRS

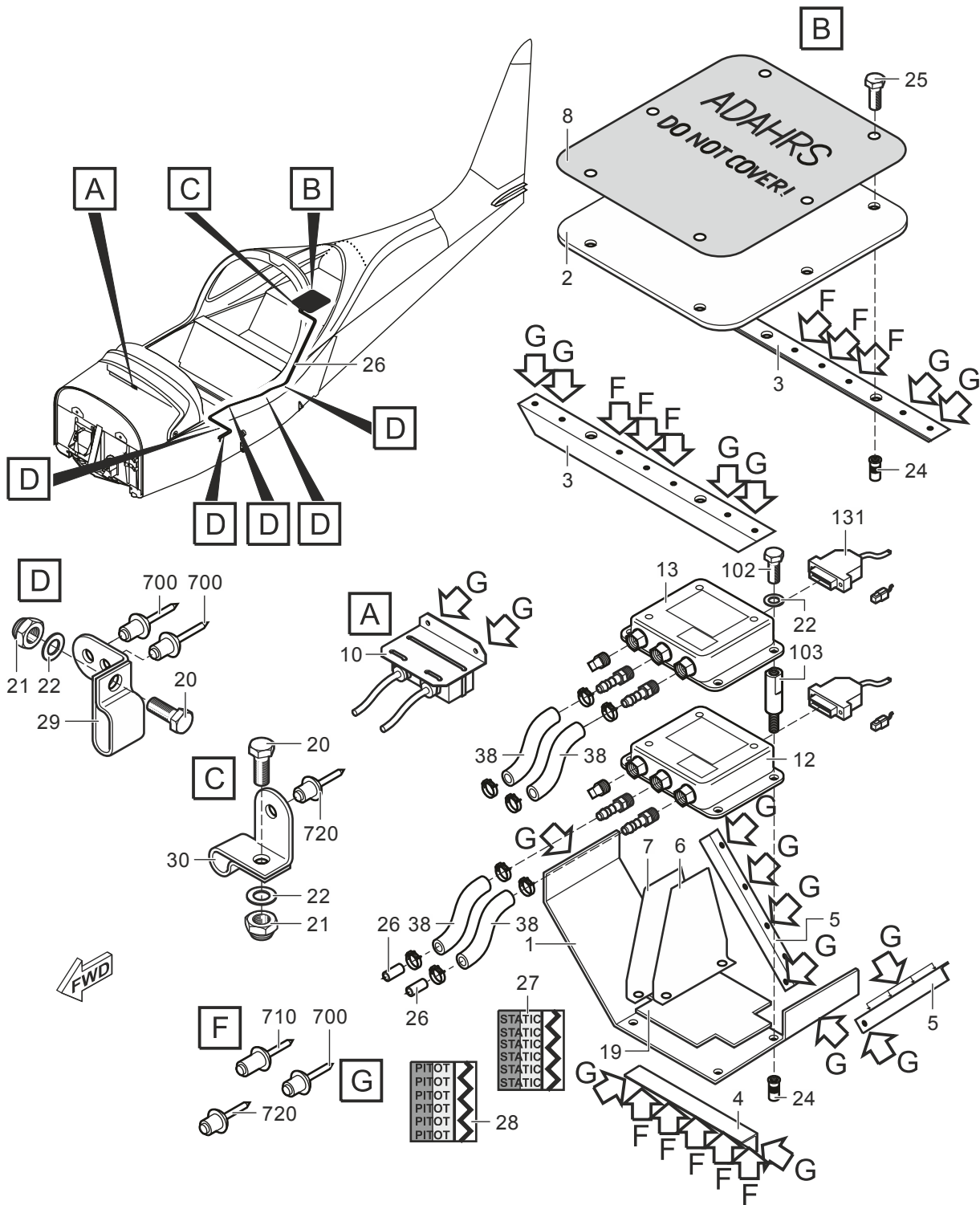
Illustrated parts data

Table of Contents	Page
SkyView ADAHRS - Illustrated parts data.....	1
Index of Tables	Page
1 References.....	1
Index of Figures	Page
1 SkyView ADAHRS.....	2

References

Table 1 References

Data module/Technical publication	Title
None	



ICN-SPORTSTAR-A-34-10-00-E-0396G-00157-A-001-01.CGM
 Figure 1: SkyView ADAHRS

Fig.	Item	Units per assembly / Units of issue	NCAGE	Part Number NATO Stock Number	Nomenclature	*Usable on code assy •MV/Effect	I C Y
1A							
-	0	1	0396G	S7 00-12 01	SkyView ADAHRS		
	1	1	0396G	S7 01-14 21	• Bracket		
	2	1	0396G	S7 01-12 21	• Cover		
	3	2	0396G	S7 01-13 21	• Angle bar		
	4	1	0396G	S7 01-15 21	• Angle bar		
	5	2	0396G	S7 01-16 21	• Angle bar		
	6	1	0396G	S7 01-17 21	• Pad 1		
	7	1	0396G	S7 01-18 21	• Pad 0.5		
	8	1	0396G	S7 00-14 01	• Needlework on ADAHRS cover		
	10	1	0396G	S7 01-27 21	• USB holder		
	12	1	0396G	080428	• ADAHRS 200 unit		
	13	1	0396G	080429	• ADAHRS 201 unit		
	19	AR	0396G	085897	• Rubber pad		
	20	7	0396G	001691 (ISO 4017)	• Screw M4x10		
	21	7	0396G	033850 (DIN 980 V)	• Nut M4		
	22	7	0396G	038204 (ISO 7089)	• Washer 4.3		
	24	10	0396G	047601 (9M18)	• Anchor nut M4		
	25	6	0396G	001337 (ISO 4017)	• Screw M4x16		
	26	AR	0396G	186747	• Tube 6x1		
-	27	AR	0396G	086022	• Marking tape - STATIC		

Fig.	Item	Units per assembly / Units of issue	NCAGE	Part Number NATO Stock Number	Nomenclature	*Usable on code assy •MV/Effect	I C Y
1A							
-	28	AR	0396G	086023	• Marking tape - PITOT		
-	29	5	0396G	079594	• Clamp 2x6		
-	30	2	0396G	079605	• Clamp 1x6		
-	38	AR	0396G	147363	• Hose Tubclair 5/8		
-	102	4	0396G	004974 (ISO 1207)	• Screw M4x10		
-	103	4	0396G	S7 01-19 21	• Stud		
-	131	1	0396G	080556	• Cable NET-SPL		
-	700	36	0396G	047560 (AVDEL 1691-0410)	• Rivet 3.2x7.9		
-	710	11	0396G	047590 (AVDEL 1604-0412)	• Rivet 3.2x9.5		
	720	2	0396G	047569	• Rivet 4x9.5		

SkyView system

Illustrated parts data

Table of Contents

	Page
SkyView system - Illustrated parts data.....	1

Index of Tables

	Page
1 References.....	1

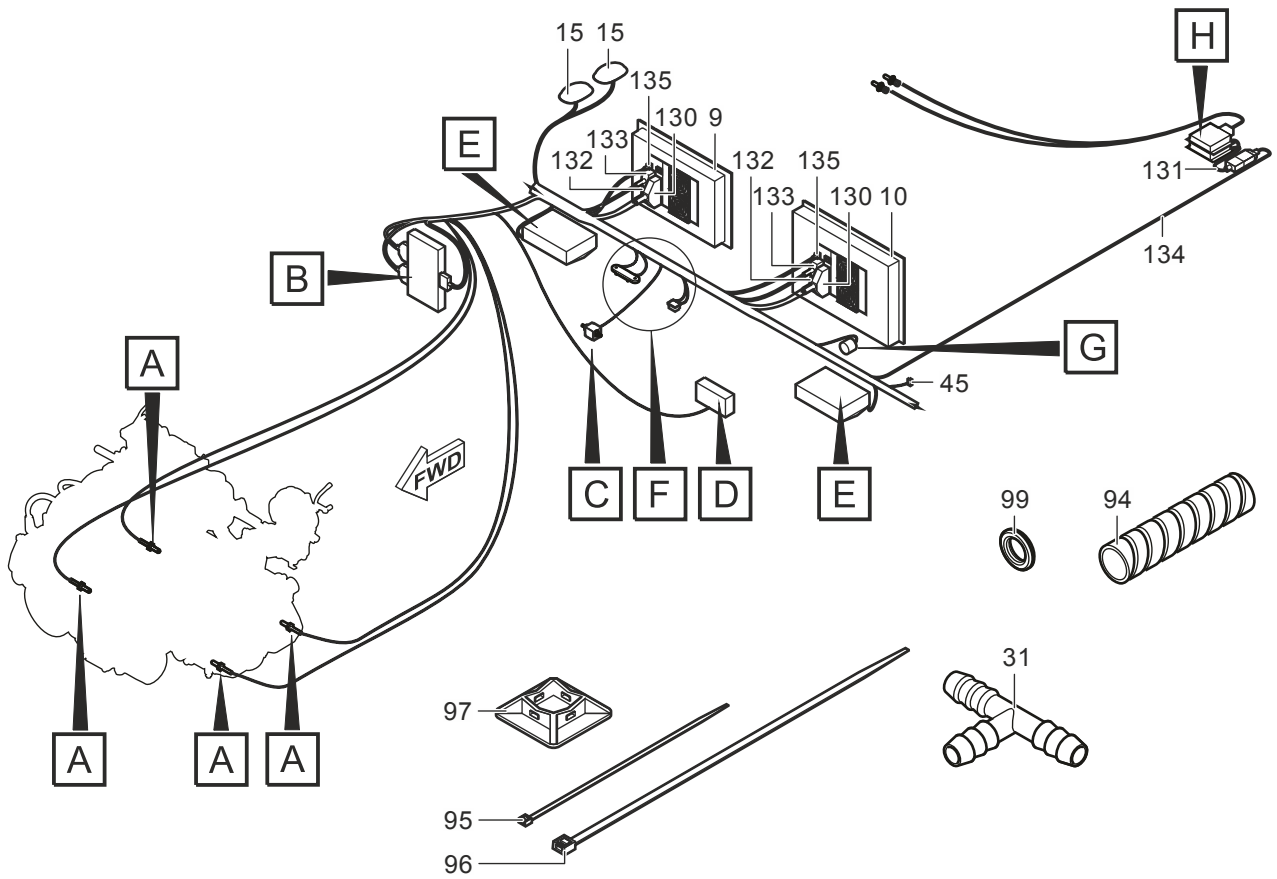
Index of Figures

	Page
1 SkyView system.....	2

References

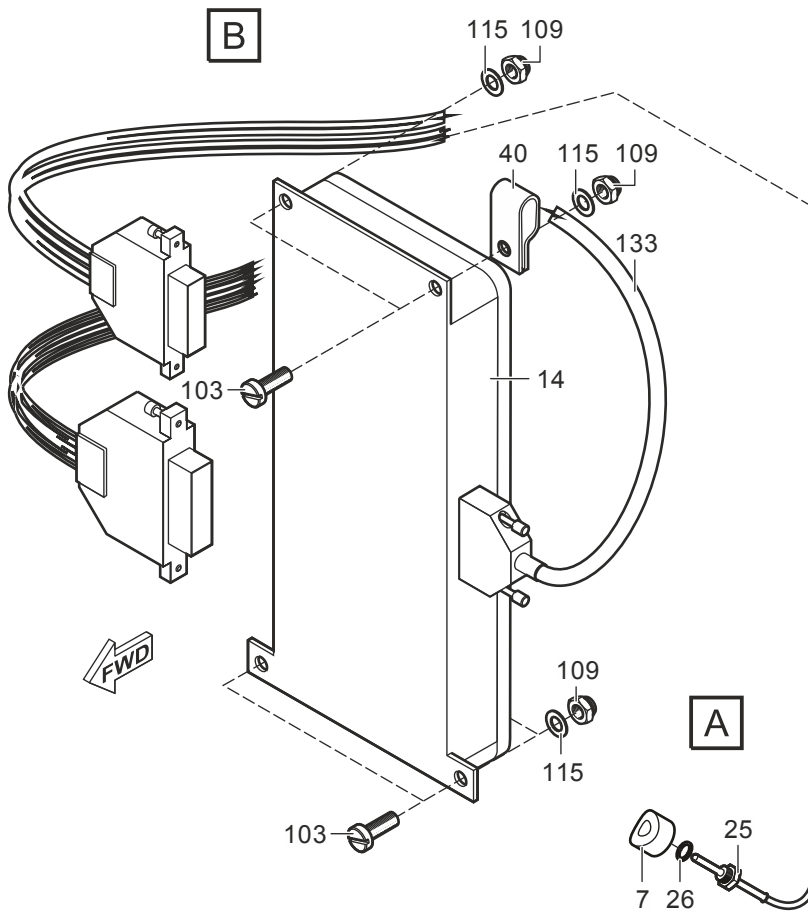
Table 1 References

Data module/Technical publication	Title
None	



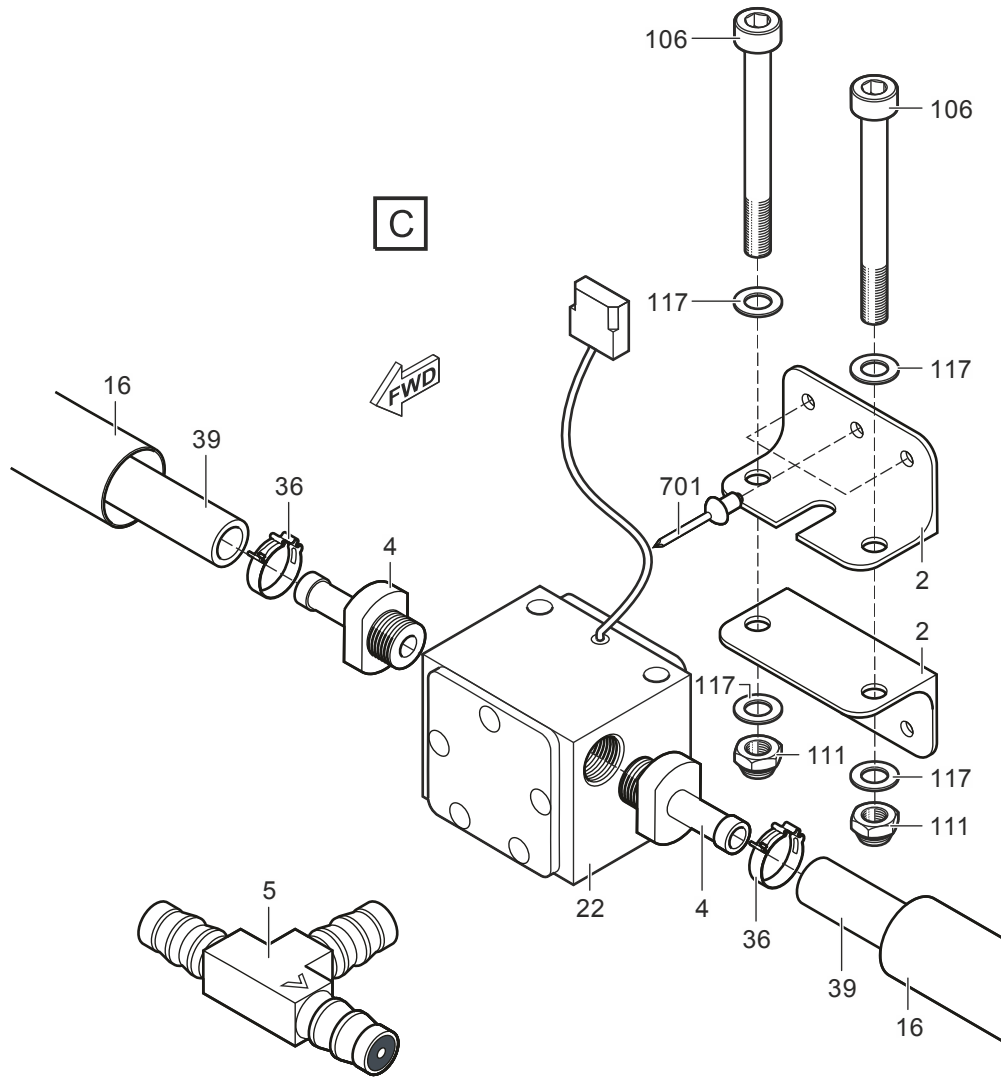
ICN-SPORTSTAR-A-34-10-00-E-0396G-00164-A-001-01.CGM

Figure 1: SkyView system (Sheet 1 of 5)



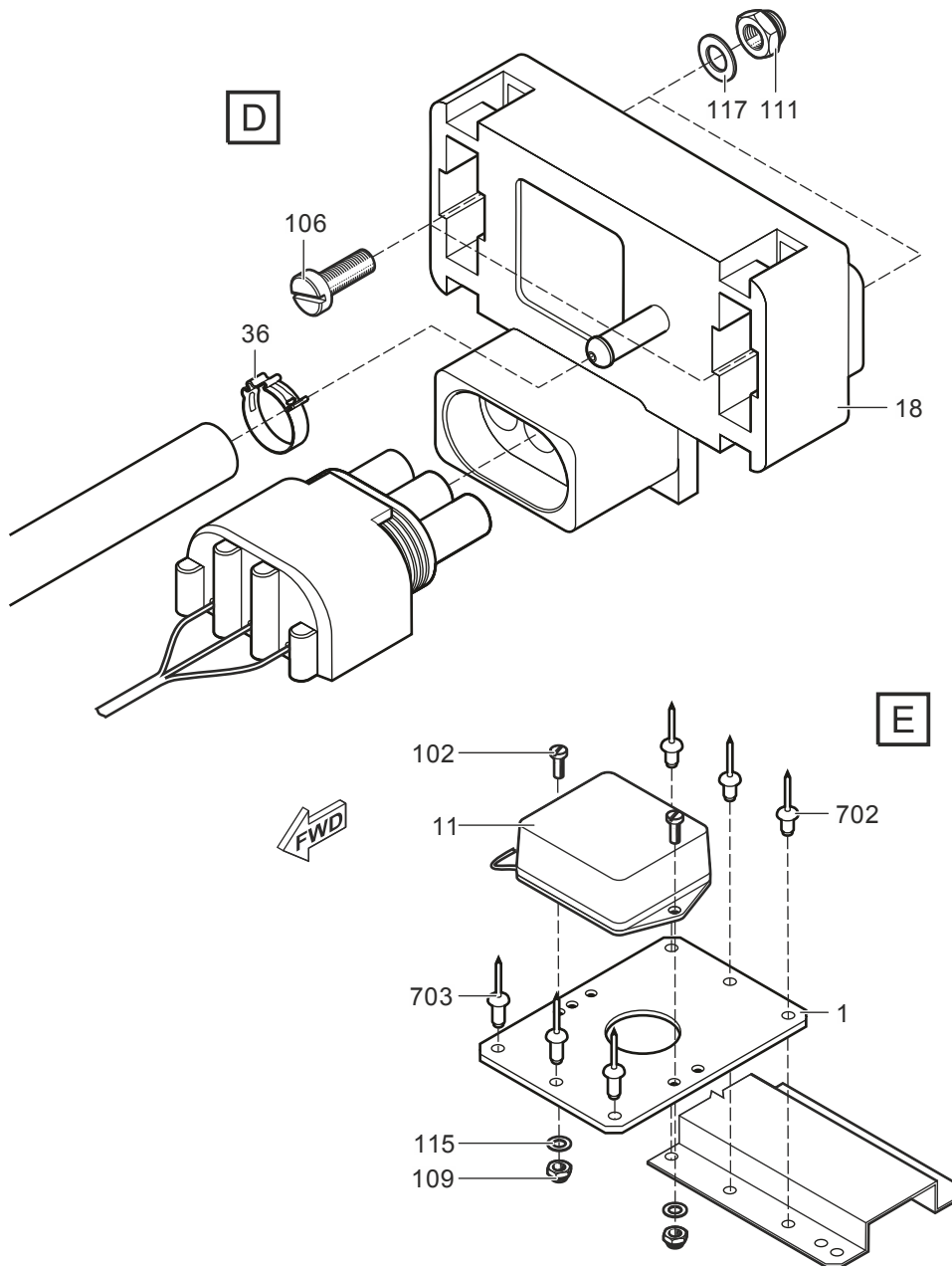
ICN-SPORTSTAR-A-34-10-00-E-0396G-00165-A-001-01.CGM

Figure 1: SkyView system (Sheet 2 of 5)



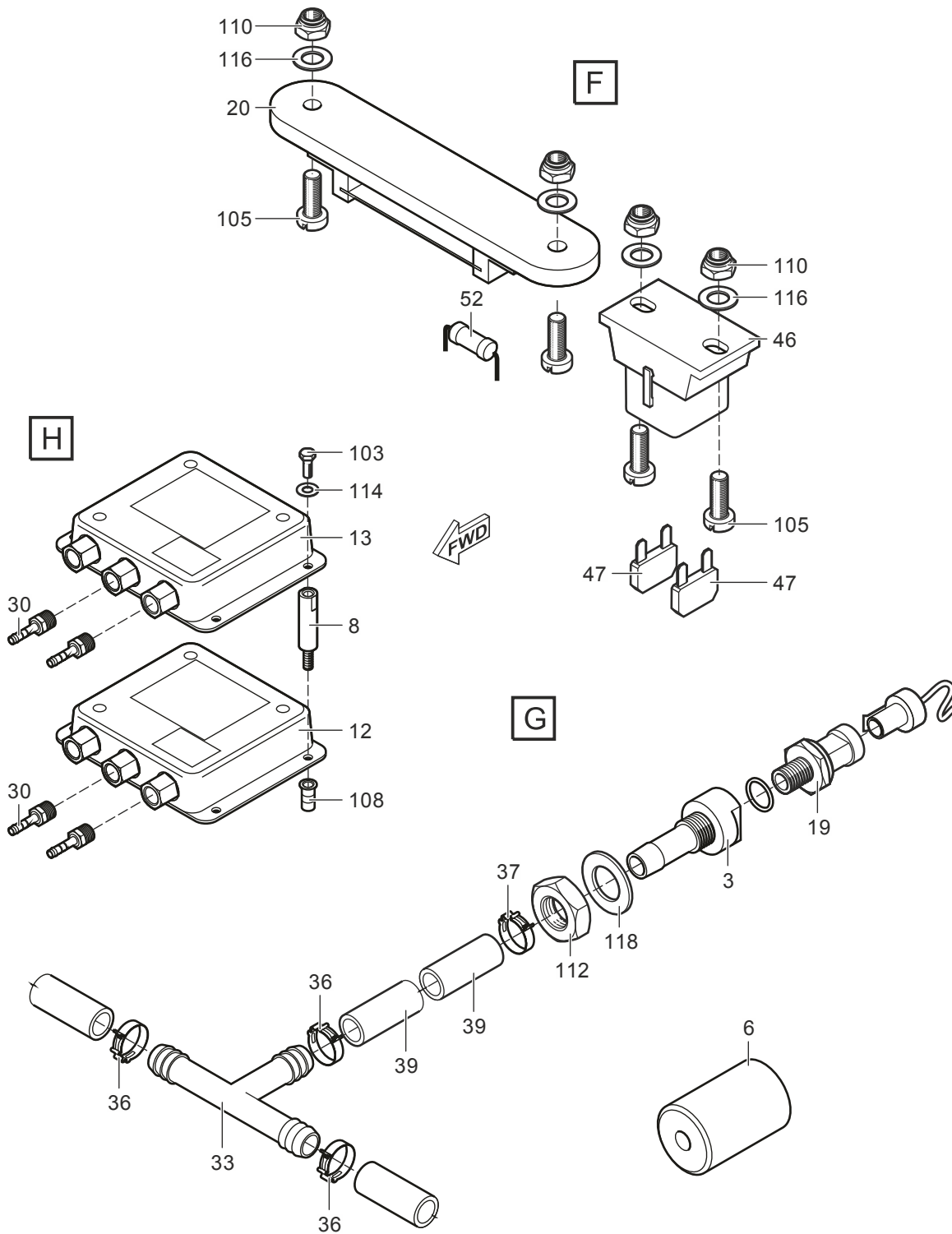
ICN-SPORTSTAR-A-34-10-00-E-0396G-00166-A-001-01.CGM

Figure 1: SkyView system (Sheet 3 of 5)



ICN-SPORTSTAR-A-34-10-00-E-0396G-00167-A-001-01.CGM

Figure 1: SkyView system (Sheet 4 of 5)



ICN-SPORTSTAR-A-34-10-00-E-0396G-00168-A-001-01.CGM

Figure 1: SkyView system (Sheet 5 of 5)

Fig.	Item	Units per assembly / Units of issue	NCAGE	Part Number NATO Stock Number	Nomenclature	*Usable on code assy •MV/Effect	I C Y
1A							
-	0	1	0396G	S7 66-01 01	SkyView system		
	1	2	0396G	E8 03-08 21	• Bracket		
	2	2	0396G	E6 65-68 21	• Bracket		
	3	1	0396G	E7 29-01 21	• Screw coupling of fuel pressure sensor		
	4	2	0396G	E6 60-65 21	• Screw coupling of fuel flowmeter		
	5	1	0396G	S6 60-62 01	• Hose T-connection with nozzle		
	6	1	0396G	E6 60-67 21	• • Nozzle		
	7	4	0396G	766086	• Welded-on piece		
	8	4	0396G	S7 01-19 21	• Stud		
	9	1	0396G	080425	• D7 display		
	10	1	0396G	080426	• D10 display		
	11	2	0396G	080427	• BAT-320 battery		
	12	1	0396G	080428	• ADAHRS 200 unit		
	13	1	0396G	080429	• ADAHRS 201 unit		
	14	1	0396G	080430	• EMS-220 unit		
	15	2	0396G	080431	• GPS-250 antenna		
	16	AR	0396G	055607	• Protecting hose		
-	17	AR	0396G	118898 (ASTM A580 COND A)	• Lockwire dia. 0.81 mm (0.032 in)		
	18	1	0396G	080384	• Manifold pressure sensor		
	19	1	0396G	080386	• Fuel pressure sensor		
	20	1	0396G	082491	• Shunt		

Fig.	Item	Units per assembly / Units of issue	NCAGE	Part Number NATO Stock Number	Nomenclature	*Usable on code assy •MV/Effect	I C Y
1A							
	22	1	0396G	080601	• FT-60 fuel flowmeter		
	25	4	0396G	766046	• EGT sensor		
	26	4	0396G	766087 (DIN 7603)	• Sealing ring CU 8x14x1.5		
	30	4	0396G	079896	• Hose connection		
	31	2	0396G	079891	• Distributor piece		
	33	1	0396G	051158	• Hose T-connection		
-	34	12	0396G	074501	• Hose clamp Cobra 8.0/7 W4		
-	35	2	0396G	074500	• Hose clamp Cobra 9.0/7 W4		
	36	10	0396G	074506	• Hose clamp Cobra 11.0/7 W4		
	37	4	0396G	074508	• Hose clamp Cobra 12.0/8 W4		
-	38	AR	0396G	056105	• Hose		
	39	AR	0396G	056299	• Fuel hose Super-Flex FL7		
	40	1	0396G	064609	• Cable clamp		
	45	2	0396G	739589	• Circuit breaker 2TC2-7.5		
	46	1	0396G	768035	• Fuse holder		
	47	2	0396G	768021	• Fuse 1A		
	52	1	0396G	064509	• Resistor RM150k/0.6W/1%		
-	55	1	0396G	740042 (MIL-C 24308 25P)	• Connector D-SUB		
-	56	1	0396G	740049 (MIL-C-24308 37S)	• Connector D-SUB		

Fig.	Item	Units per assembly / Units of issue	NCAGE	Part Number NATO Stock Number	Nomenclature	*Usable on code assy •MV/Effect	I C Y
1A							
-	57	1	0396G	740037	• Plastic cover		
-	58	1	0396G	740038	• Plastic cover		
-	61	2	0396G	068640	• Connector - socket type		
-	62	2	0396G	068641	• Connector - plug type		
-	63	2	0396G	068642	• Connector - socket type		
-	64	2	0396G	068643	• Connector - plug type		
-	65	2	0396G	068644	• Connector - socket type		
-	66	2	0396G	068645	• Connector - plug type		
-	70	18	0396G	068646	• Socket (AWG22-18)		
-	71	18	0396G	068648	• Plug (AWG22-18)		
-	75	2	0396G	739770	• Ring cable eye		
-	76	14	0396G	739772	• Ring cable eye		
-	77	2	0396G	739763	• Ring cable eye		
-	79	3	0396G	068637	• Connector Faston 6.3 (AWG22-16)		
-	80	AR	0396G	739681	• Electrical wire AE22		
-	82	AR	0396G	739686	• Electrical wire AE10		
-	83	AR	0396G	739691	• Electrical wire 2xAWG22 STI		
-	84	AR	0396G	739692	• Shielded wire UE22		
-	90	AR	0396G	088086	• Shrink tube RNF-3000		
-	91	AR	0396G	088087	• Shrink tube RNF-3000		
-	92	AR	0396G	088089	• Shrink tube RNF-3000		
-	93	AR	0396G	088091	• Shrink tube RNF-3000		

Applicability: All

SPORTSTAR-A-34-10-03-01A-941A-D

Fig.	Item	Units per assembly / Units of issue	NCAGE	Part Number NATO Stock Number	Nomenclature	*Usable on code assy •MV/Effect	I C Y
1A							
	94	AR	0396G	079876	• Protective spiral		
	95	80	0396G	060332	• Cable tie		
	96	40	0396G	060333	• Cable tie		
	97	10	0396G	060465	• Self-adhesive clamp		
	99	2	0396G	076821	• Bushing 8x1		
	102	8	0396G	004974 (ISO 1207)	• Screw M4x10		
	103	4	0396G	001337 (ISO 4017)	• Screw M4x16		
-	104	8	0396G	011006 (ISO 7047)	• Screw M4x25		
	105	4	0396G	004190	• Screw M5x16		
	106	2	0396G	011829 (ISO 4762)	• Screw M6x50		
	108	4	0396G	047601 (9M18)	• Anchor nut M4		
	109	16	0396G	033850 (DIN 980 V)	• Nut M4		
	110	4	0396G	033855 (DIN 980 V)	• Nut M5		
	111	2	0396G	033860 (DIN 980 V)	• Nut M6		
	112	1	0396G	031651 (ISO 4035)	• Nut M10		
	114	4	0396G	038224 (ISO 7089)	• Washer 4.3		
	115	16	0396G	038204 (ISO 7089)	• Washer 4.3		
	116	4	0396G	038193 (ISO 7089)	• Washer 5.3		

Applicability: All

SPORTSTAR-A-34-10-03-01A-941A-D

Fig.	Item	Units per assembly / Units of issue	NCAGE	Part Number NATO Stock Number	Nomenclature	*Usable on code assy •MV/Effect	I C Y
1A							
	117	4	0396G	038206 (ISO 7089)	• Washer 6.4		
	118	1	0396G	038225 (ISO 7089)	• Washer 10.5		
	130	2	0396G	080555	• D37 cable		
	131	1	0396G	080556	• Cable NET-SPL		
	132	1	0396G	080558	• NET-3CC cable		
	133	1	0396G	080559	• NET-6CC cable		
	134	1	0396G	080561	• NET-15CP cable		
	135	1	0396G	080551	• STP RJ45-RJ45 cable		
-	697	AR	D8908	096270	• Activator Loctite 7471		
-	698	AR	D8908	096249	• Adhesive Loctite 577		
-	699	AR	0396G	086956	• Self fusing wrap		
	701	6	0396G	047554 (AVDEL BE61-0408)	• Rivet 3.2x6.4		
	702	10	0396G	047560 (AVDEL 1691-0410)	• Rivet 3.2x7.9		
	703	3	0396G	047590 (AVDEL 1604-0412)	• Rivet 3.2x9.5		

This page has been intentionally left blank.

Garmin G3X system

Illustrated parts data

Table of Contents

	Page
Garmin G3X system - Illustrated parts data.....	1

Index of Tables

	Page
1 References.....	1

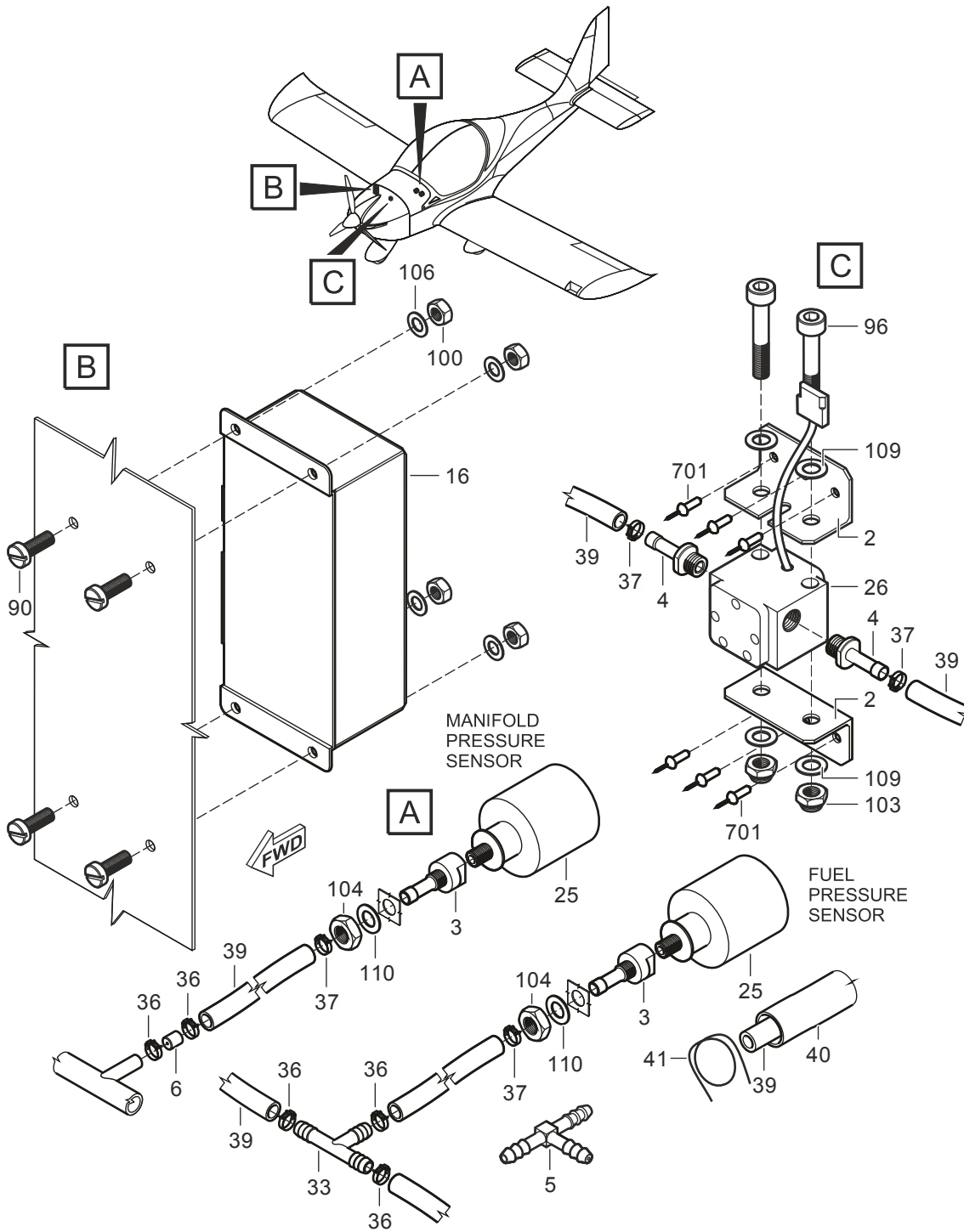
Index of Figures

	Page
1 Garmin G3X glass cockpit.....	2

References

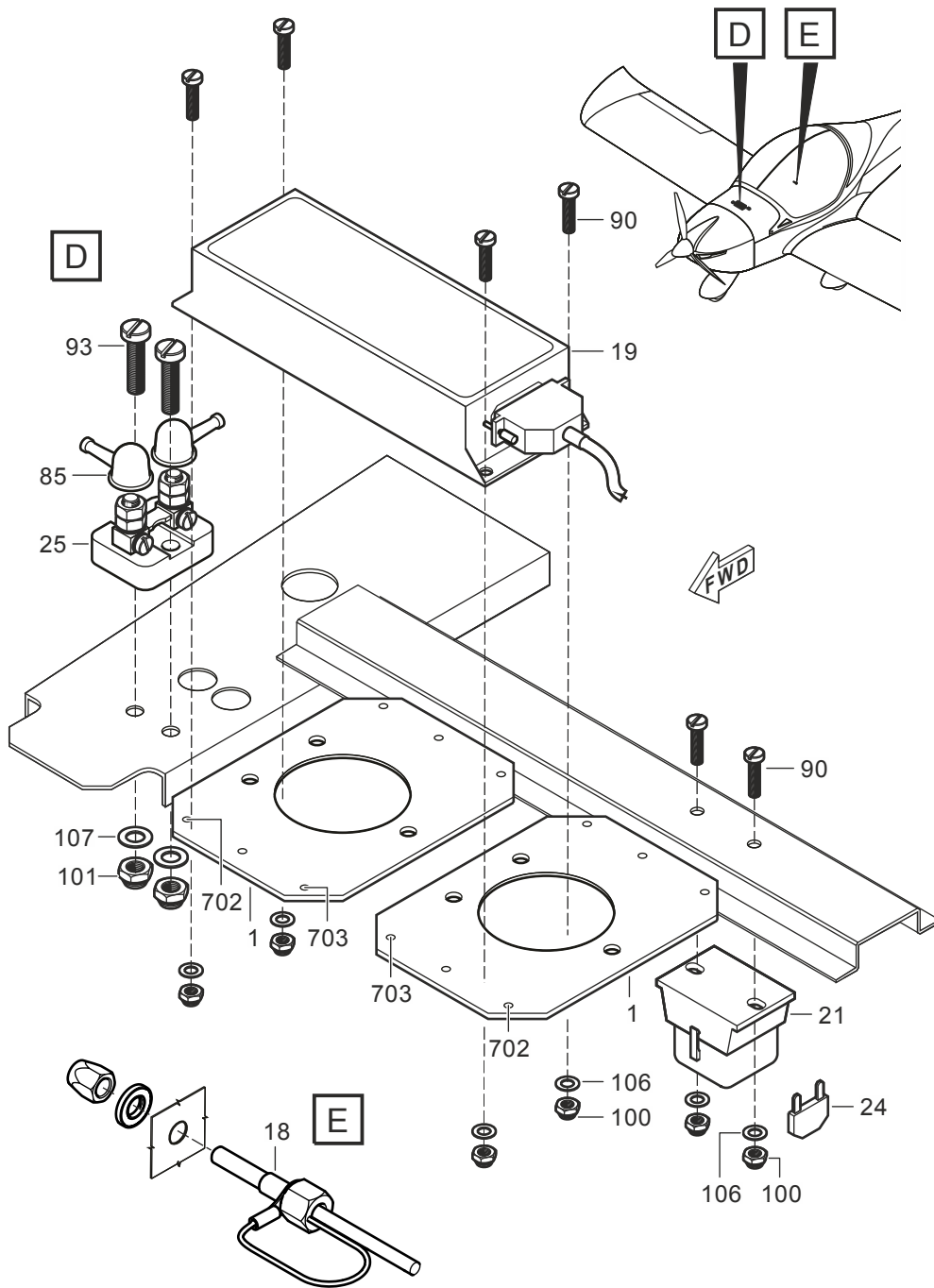
Table 1 References

Data module/Technical publication	Title
None	



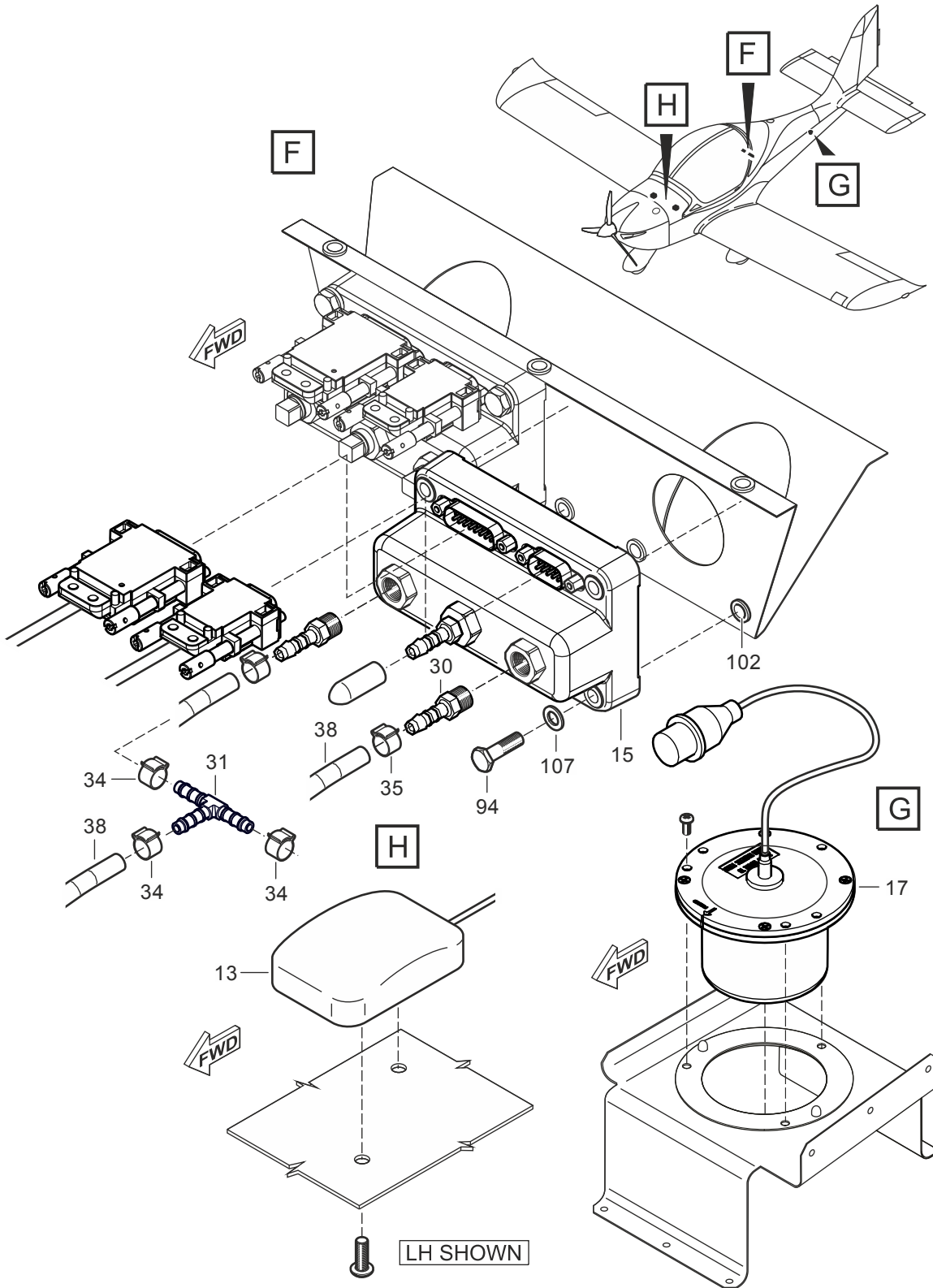
ICN-SPORTSTAR-A-34-10-00-E-0396G-00217-A-000-01.CGM

Figure 1: Garmin G3X glass cockpit (Sheet 1 of 4)



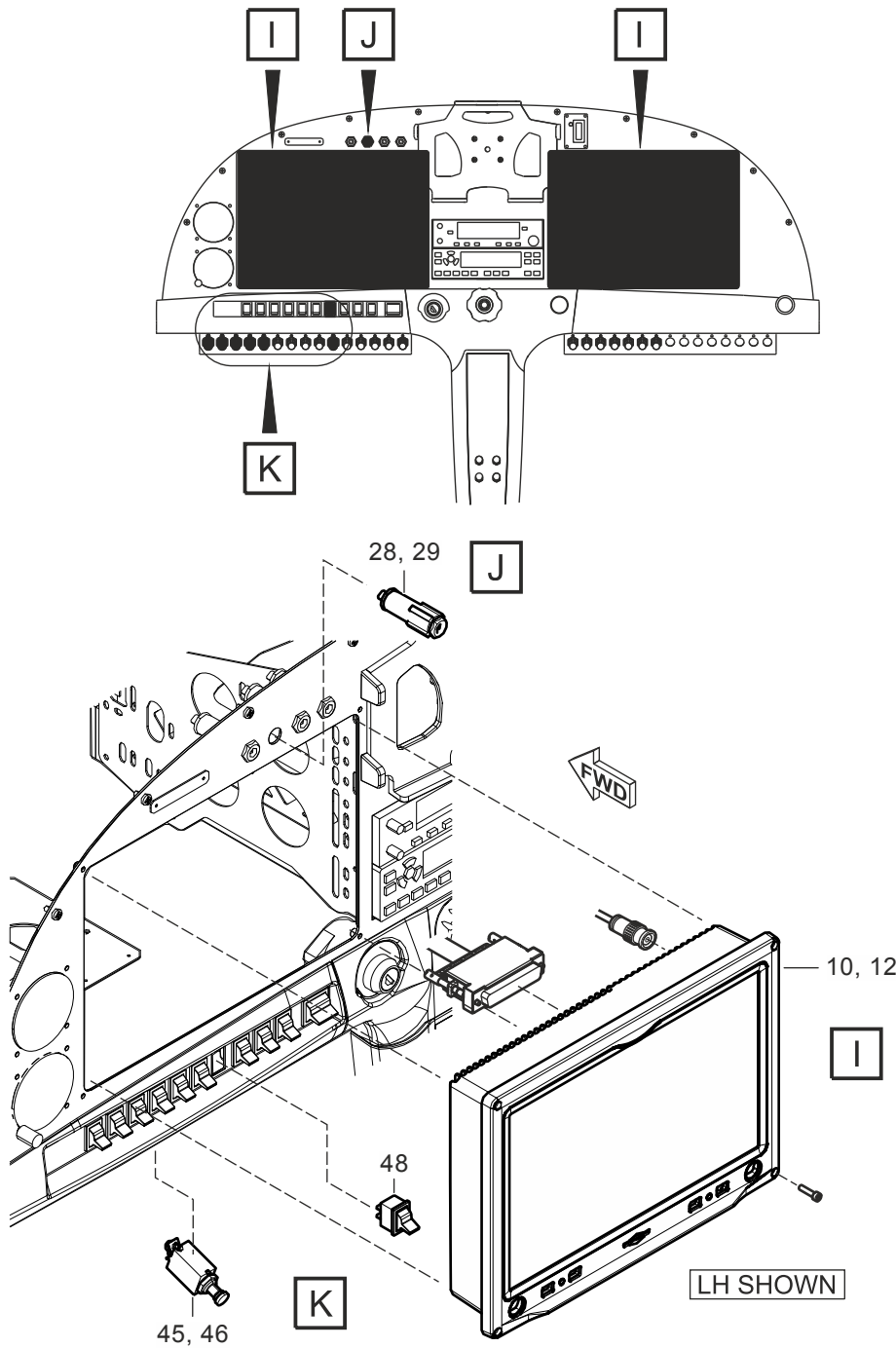
ICN-SPORTSTAR-A-34-10-00-E-0396G-00218-A-000-01.CGM

Figure 1: Garmin G3X glass cockpit (Sheet 2 of 4)



ICN-SPORTSTAR-A-34-10-00-E-0396G-00219-A-000-01.CGM

Figure 1: Garmin G3X glass cockpit (Sheet 3 of 4)



ICN-SPORTSTAR-A-34-10-00-E-0396G-00220-A-000-01.CGM

Figure 1: Garmin G3X glass cockpit (Sheet 4 of 4)

Fig.	Item	Units per assembly / Units of issue	NCAGE	Part Number NATO Stock Number	Nomenclature	*Usable on code assy •MV/Effect	I C Y
1A							
-	0	1	0396G	S7 66-24 01	Garmin G3X system		
	1	2	0396G	E8 03-08 21	• Bracket		
	2	2	0396G	E6 65-68 21	• Bracket		
	3	2	0396G	E7 29-01 21	• Screw coupling of fuel pressure sensor		
	4	2	0396G	E6 60-65 21	• Screw coupling of fuel flowmeter		
	5	1	0396G	S6 60-62 01	• Hose T-connection with nozzle		
	6	1	0396G	E6 60-67 21	• Nozzle		
	10	2	0396G	750378	• GDU 460 + Kit		
	12	1	0396G	750372	• Config. Module GDU 4XX		
	13	2	0396G	750545	• GA26 C GPS Antenna		
	15	2	0396G	750340	• GSU 25 ADAHRS Module + Kit		
	16	1	0396G	750341	• GEA 24 Engine Module + Kit		
	17	1	0396G	750343	• GMU 22 Magnetometer + Kit		
	18	1	0396G	750344	• GTP 59 OAT Sensor		
	19	1	0396G	070686	• IBBS-12v-3ah TCWTE Backup battery		
	21	1	0396G	768035	• Fuse holder		
-	22	2	0396G	768021	• Fuse 1A		
-	23	1	0396G	064538	• Fuse casing		
	24	1	0396G	739633	• Fuse		

Applicability: All

SPORTSTAR-A-34-10-04-01A-941A-D

Fig.	Item	Units per assembly / Units of issue	NCAGE	Part Number NATO Stock Number	Nomenclature	*Usable on code assy •MV/Effect	I C Y
1A							
	25	1	0396G	750335	• R912 G3X Kit		
	26	1	0396G	080601	• FT-60 fuel flowmeter		
-	27	1	0396G	064508	• Resistor 39R/1W/1%		
	28	1	0396G	768010	• Signaling light - red		
	29	1	0396G	070530	• LED Bulb		
	30	6	0396G	079896	• Hose connection		
	31	4	0396G	079891	• Distributor piece		
	33	2	0396G	051158	• Hose T-connection		
	34	14	0396G	074501	• Hose clamp Cobra 8.0/7 W4		
	35	4	0396G	074500	• Hose clamp Cobra 9.0/7 W4		
	36	10	0396G	074506	• Hose clamp Cobra 11.0/7 W4		
	37	4	0396G	074508	• Hose clamp Cobra 12.0/8 W4		
	38	AR	0396G	056105	• Hose		
	39	AR	0396G	056299	• Fuel hose Super-Flex FL7		
	40	AR	0396G	055607	• Protecting hose		
	41	AR	0396G	118898 (ASTM A580 COND A)	• Lockwire dia. 0.81 mm (0.032 in)		
	45	3	0396G	739588	• Circuit breaker 2TC2-5		
	46	3	0396G	739586	• Circuit breaker 2TC2-2		
	48	1	0396G	069110	• Switch		
-	52	1	0396G	740047	• Connector D-SUB		

Applicability: All

SPORTSTAR-A-34-10-04-01A-941A-D

Fig.	Item	Units per assembly / Units of issue	NCAGE	Part Number NATO Stock Number	Nomenclature	*Usable on code assy •MV/Effect	I C Y
1A							
-	53	1	0396G	740036	• Plastic cover		
-	54	2	0396G	068640	• Connector - socket type		
-	55	2	0396G	068641	• Connector - plug type		
-	56	1	0396G	068642	• Connector - socket type		
-	57	1	0396G	068643	• Connector - plug type		
-	60	7	0396G	068646	• Socket (AWG22-18)		
-	61	7	0396G	068648	• Plug (AWG22-18)		
-	62	1	0396G	739828	• Ring cable eye		
-	63	2	0396G	739829	• Ring cable eye		
-	65	45	0396G	739772	• Ring cable eye		
-	66	2	0396G	739763	• Ring cable eye		
-	67	2	0396G	068636	• Connector Faston 4.8 (AWG22-16)		
-	68	5	0396G	068637	• Connector Faston 6.3 (AWG22-16)		
-	69	4	0396G	739839	• Ring cable eye		
-	70	AR	0396G	739681	• Electrical wire AE22		
-	71	AR	0396G	739682	• Electrical wire AE20		
-	72	AR	0396G	739691	• Electrical wire 2xAWG22 STI		
-	73	AR	0396G	739692	• Shielded wire UE22		
-	74	AR	0396G	739685	• Electrical wire AE12		
-	75	AR	0396G	739682	• Electrical wire AE20		
-	76	AR	0396G	739698	• Electrical wire YG20		

Applicability: All

SPORTSTAR-A-34-10-04-01A-941A-D

Fig.	Item	Units per assembly / Units of issue	NCAGE	Part Number NATO Stock Number	Nomenclature	*Usable on code assy •MV/Effect	I C Y
1A							
-	80	AR	0396G	088086	• Shrink tube RNF-3000		
-	81	AR	0396G	088087	• Shrink tube RNF-3000		
-	82	AR	0396G	088089	• Shrink tube RNF-3000		
-	84	AR	0396G	079876	• Protective spiral		
	85	2	0396G	077415	• Rubber cover		
-	86	130	0396G	060332	• Cable tie		
-	87	65	0396G	060333	• Cable tie		
-	88	15	0396G	060465	• Self-adhesive clamp		
-	89	12	0396G	023710	• Screw 8-32x0.312"		
	90	12	0396G	004974 (ISO 1207)	• Screw M4x10		
	93	2	0396G	004995 (ISO 1207)	• Screw M6x16		
	94	8	0396G	012107 (ISO 4017)	• Screw M5x30		
-	95	2	0396G	001300 (ISO 4017)	• Screw M6x10		
	96	2	0396G	011829 (ISO 4762)	• Screw M6x50		
-	97	1	0396G	002132 (ISO 4017)	• Screw M8x12		
	100	12	0396G	033850 (DIN 980 V)	• Nut M4		
	101	2	0396G	033855 (DIN 980 V)	• Nut M5		
	102	8	0396G	035427	• Anchor nut M5		
	103	2	0396G	033860 (DIN 980 V)	• Nut M6		

Applicability: All

SPORTSTAR-A-34-10-04-01A-941A-D

Fig.	Item	Units per assembly / Units of issue	NCAGE	Part Number NATO Stock Number	Nomenclature	*Usable on code assy •MV/Effect	I C Y
1A							
	104	2	0396G	031651 (ISO 4035)	• Nut M10		
-	105	12	0396G	037152 (DIN 7980)	• Washer 4.1		
	106	12	0396G	038204 (ISO 7089)	• Washer 4.3		
	107	10	0396G	038193 (ISO 7089)	• Washer 5.3		
	109	6	0396G	038206 (ISO 7089)	• Washer 6.4		
	110	2	0396G	038225 (ISO 7089)	• Washer 10.5		
-	111	1	0396G	038208 (ISO 7089)	• Washer 8.4		
-	695	AR	0396G	086023	• Marking tape - PITOT		
-	696	AR	0396G	086022	• Marking tape - STATIC		
-	697	AR	D8908	096270	• Activator Loctite 7471		
-	698	AR	D8908	096249	• Adhesive Loctite 577		
-	699	AR	0396G	086956	• Self fusing wrap		
	701	6	0396G	047554 (AVDEL BE61-0408)	• Rivet 3.2x6.4		
	702	14	0396G	047560 (AVDEL 1691-0410)	• Rivet 3.2x7.9		
	706	7	0396G	047590 (AVDEL 1604-0412)	• Rivet 3.2x9.5		

Fuselage modificatio for G3X system

Illustrated parts data

Table of Contents	Page
Fuselage modificatio for G3X system - Illustrated parts data.....	1

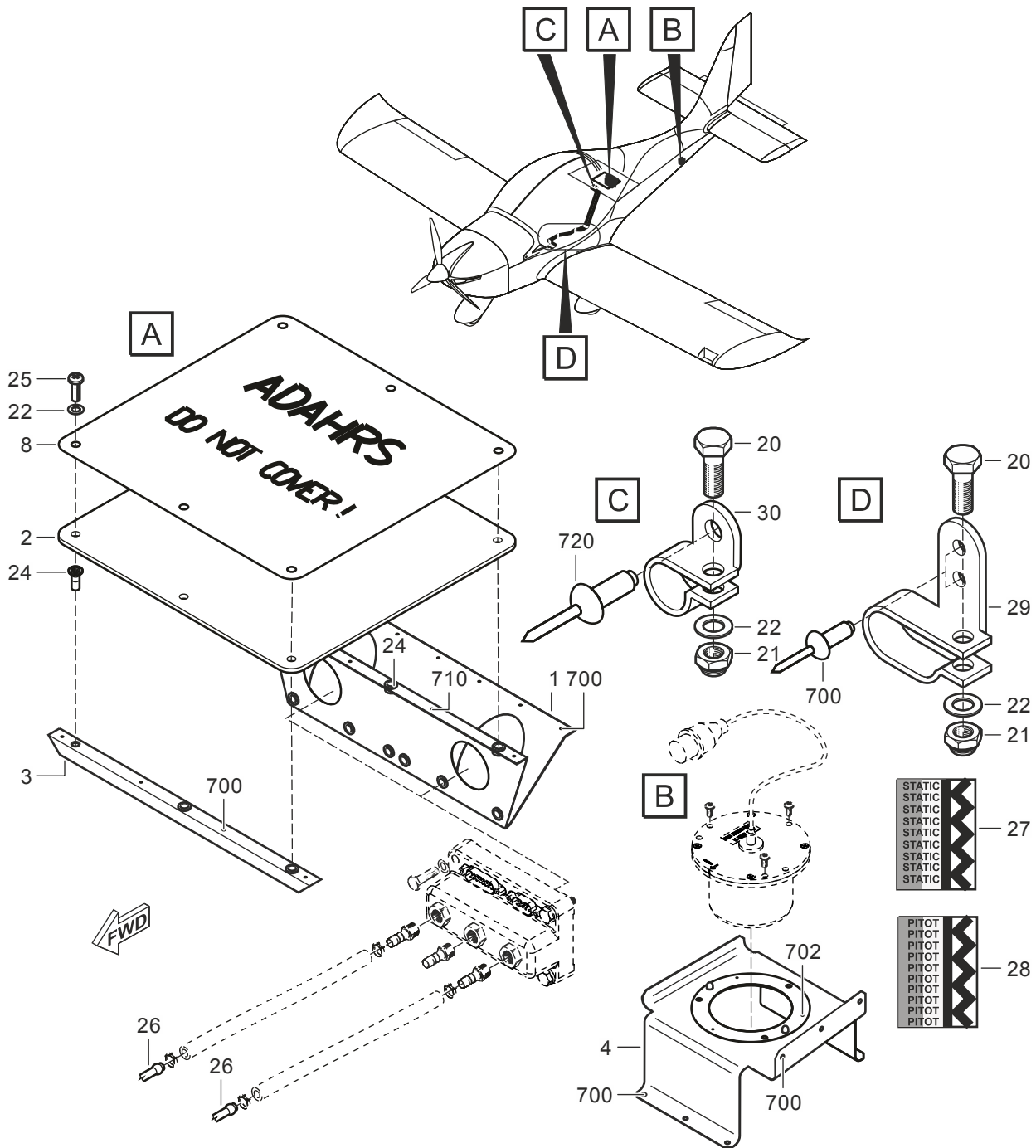
Index of Tables	Page
1 References.....	1

Index of Figures	Page
1 GSU 25 ADAHRS.....	2

References

Table 1 References

Data module/Technical publication	Title
None	



ICN-SPORTSTAR-A-34-10-00-E-0396G-00216-A-000-01.CGM
 Figure 1: GSU 25 ADAHRS

Fig.	Item	Units per assembly / Units of issue	NCAGE	Part Number NATO Stock Number	Nomenclature	*Usable on code assy •MV/Effect	I C Y
1A							
-	0	1	0396G	S7 00-13 01	Fuselage modification for G3X system		
	1	1	0396G	S7 01-25 21	• GSU 25 bracket		
	2	1	0396G	S7 01-12 21	• Cover		
	3	1	0396G	S7 01-13 21	• Angle bar		
	4	1	0396G	S7 01-26 21	• GMU 22 bracket		
	8	1	0396G	S7 00-14 01	• Needlework on ADAHRS cover		
	20	7	0396G	001691 (ISO 4017)	• Screw M4x10		
	21	7	0396G	033850 (DIN 980 V)	• Nut M4		
	22	13	0396G	038204 (ISO 7089)	• Washer 4.3		
	24	6	0396G	035410	• Anchor nut M4		
	25	6	0396G	010994 (ISO 7045)	• Screw M4x12		
	26	AR	0396G	186747	• Tube 6x1		
	27	AR	0396G	086022	• Marking tape - STATIC		
	28	AR	0396G	086023	• Marking tape - PITOT		
	29	5	0396G	079594	• Clamp 2x6		
	30	2	0396G	079605	• Clamp 1x6		
	700	28	0396G	047560 (AVDEL 1691-0410)	• Rivet 3.2x7.9		
	702	3	0396G	046027 (NAS 1097-AD5-7)	• Rivet 4x11.1		
	710	4	0396G	047590 (AVDEL 1604-0412)	• Rivet 3.2x9.5		

Applicability: All

SPORTSTAR-A-34-10-05-01A-941A-D



Fig.	Item	Units per assembly / Units of issue	NCAGE	Part Number NATO Stock Number	Nomenclature	*Usable on code assy •MV/Effect	I C Y
1A							
	720	2	0396G	047569	• Rivet 4x9.5		

Garmin G3X system - NVFR installations

Illustrated parts data

Table of Contents	Page
Garmin G3X system - NVFR installations - Illustrated parts data.....	1

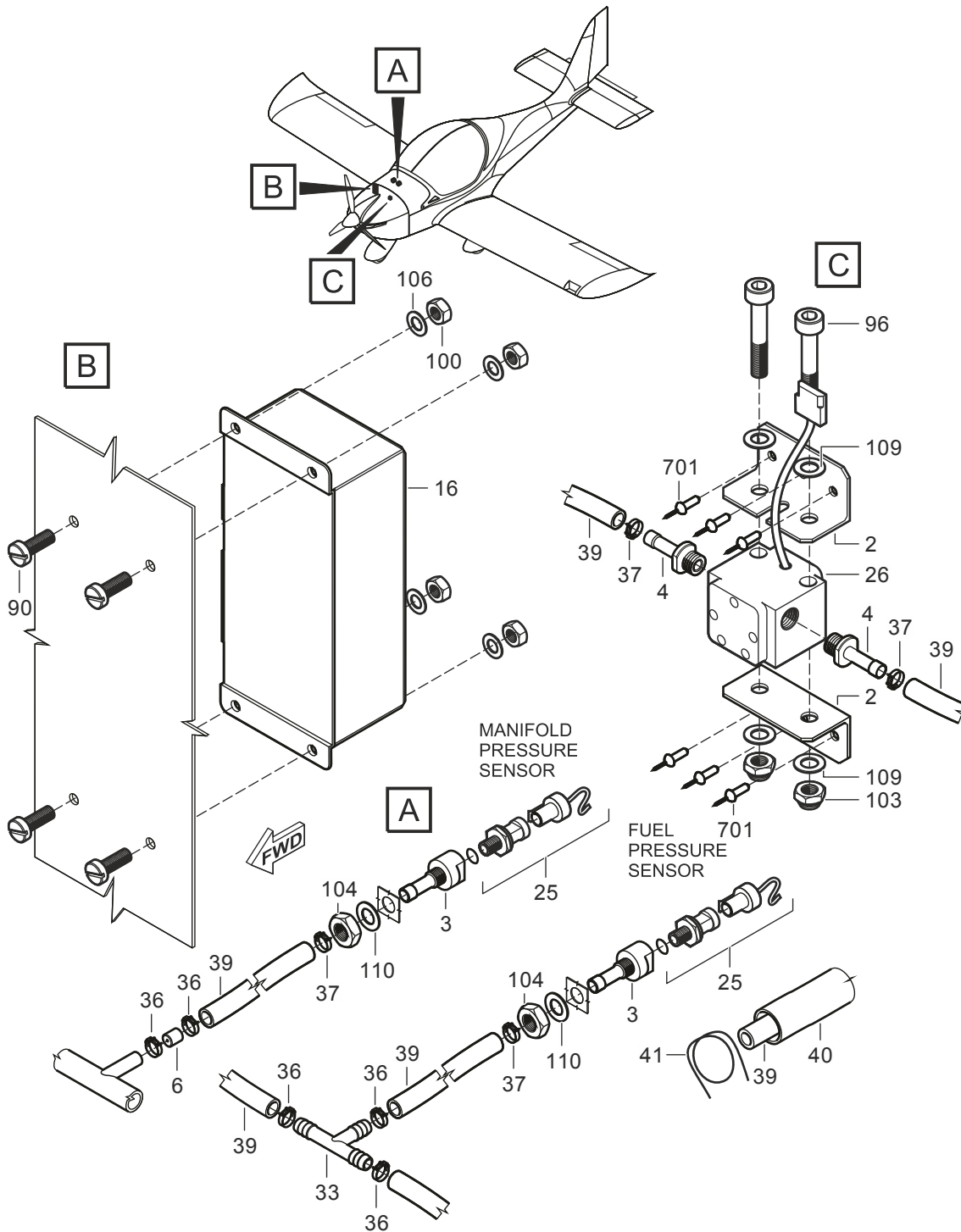
Index of Tables	Page
1 References.....	1

Index of Figures	Page
1 Garmin G3X system - NVFR installation.....	2

References

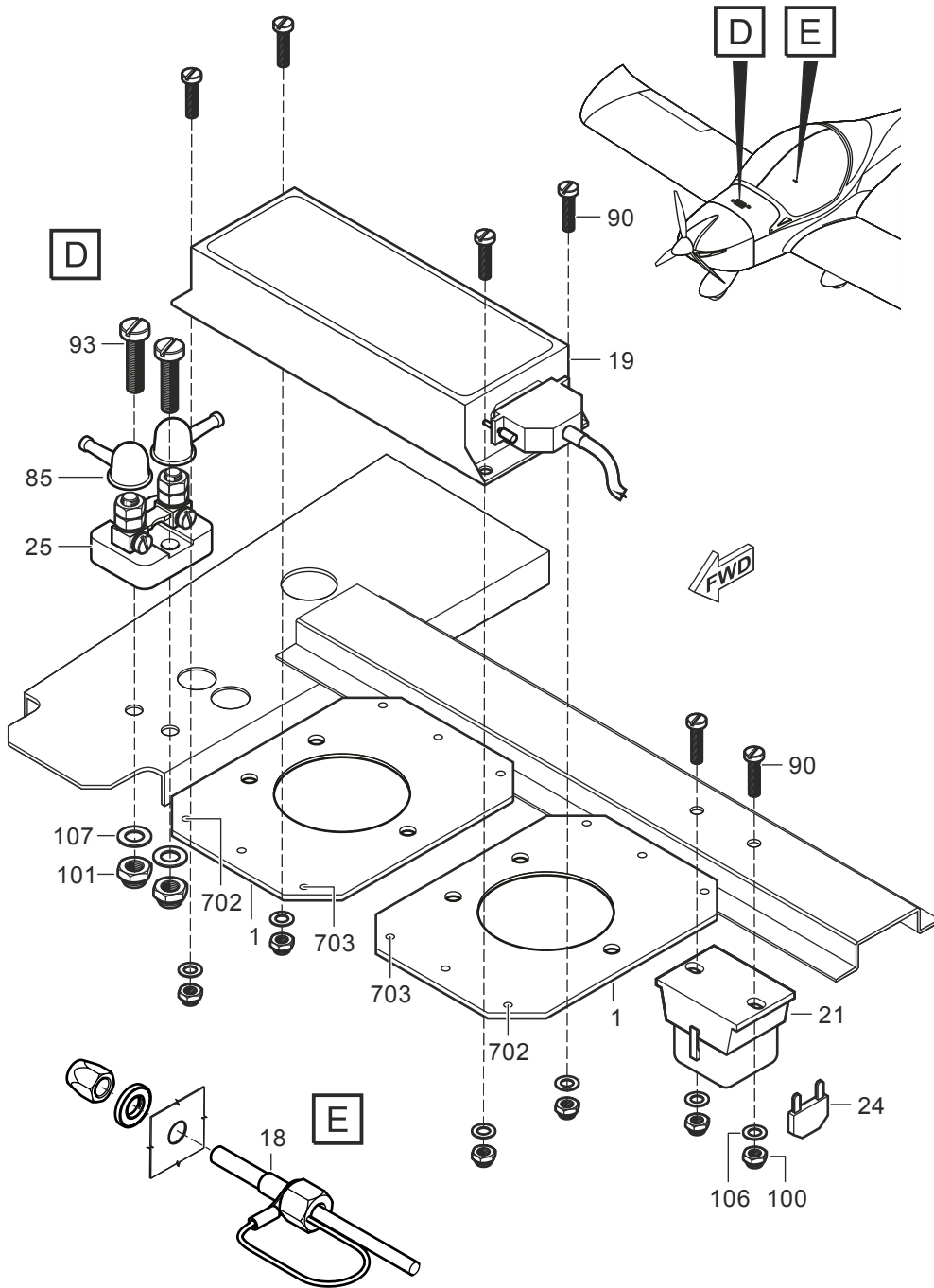
Table 1 References

Data module/Technical publication	Title
None	



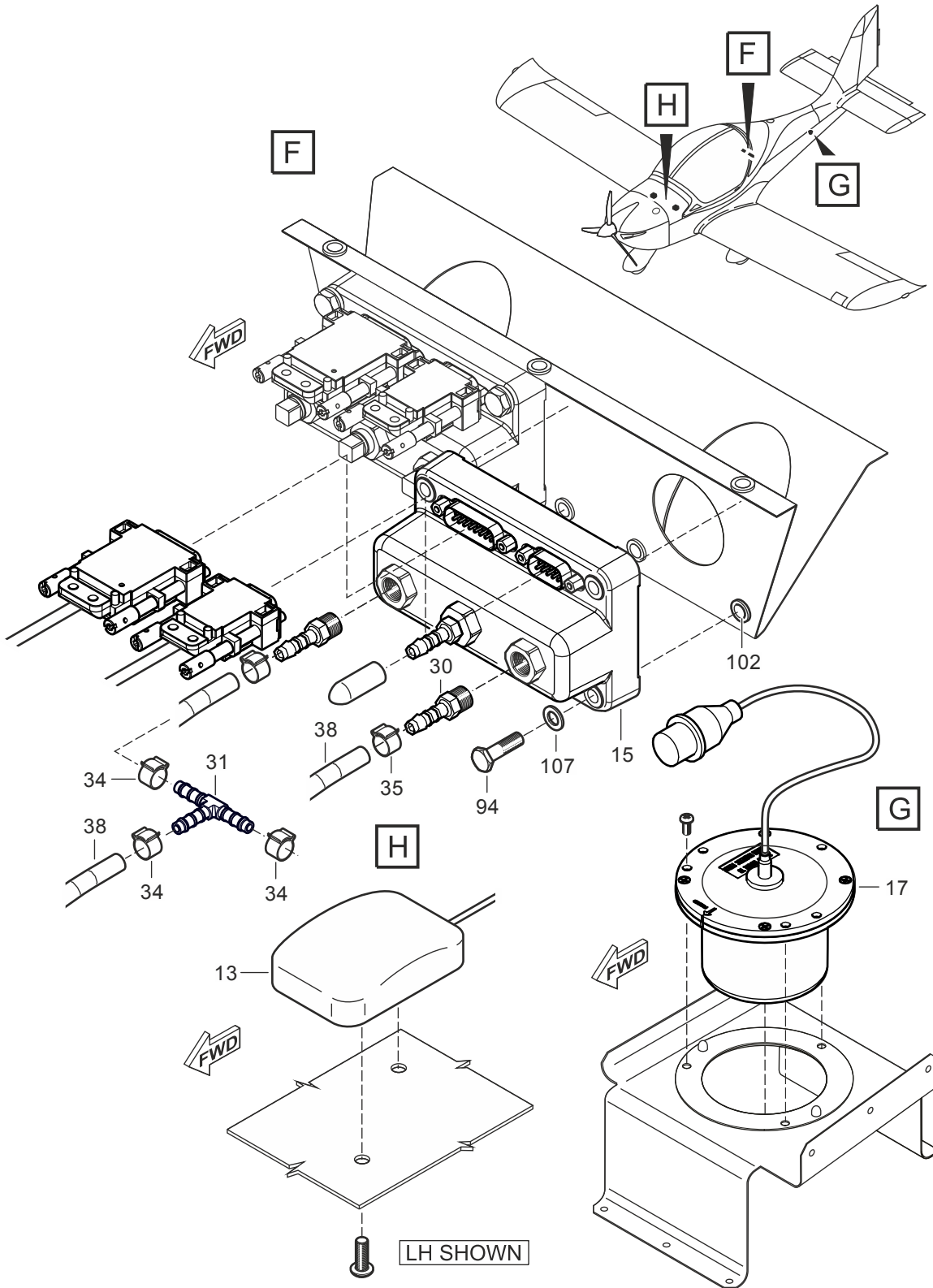
ICN-SPORTSTAR-A-34-10-00-E-0396G-00221-A-000-01.CGM

Figure 1: Garmin G3X system - NVFR installation (Sheet 1 of 4)



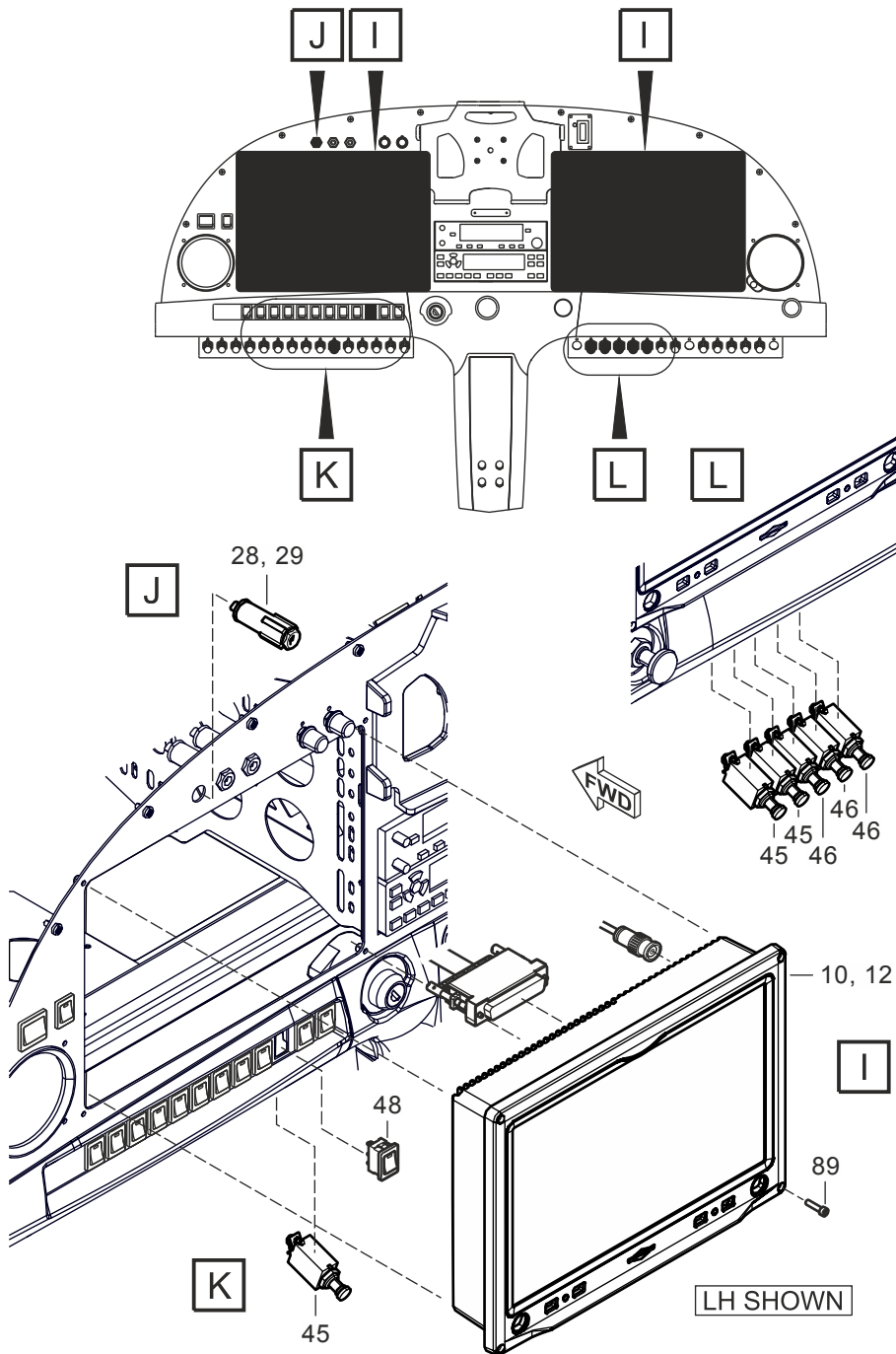
ICN-SPORTSTAR-A-34-10-00-E-0396G-00222-A-000-01.CGM

Figure 1: Garmin G3X system - NVFR installation (Sheet 2 of 4)



ICN-SPORTSTAR-A-34-10-00-E-0396G-00223-A-000-01.CGM

Figure 1: Garmin G3X system - NVFR installation (Sheet 3 of 4)



ICN-SPORTSTAR-A-34-10-00-E-0396G-00224-A-000-01.CGM

Figure 1: Garmin G3X system - NVFR installation (Sheet 4 of 4)

Fig.	Item	Units per assembly / Units of issue	NCAGE	Part Number NATO Stock Number	Nomenclature	*Usable on code assy •MV/Effect	I C Y
1A							
-	0	1	0396G	S7 66-24 99	Garmin G3X system - NVFR installations		
	1	2	0396G	E8 03-08 21	• Bracket		
	2	2	0396G	E6 65-68 21	• Bracket		
	3	2	0396G	E7 29-01 21	• Screw coupling of fuel pressure sensor		
	4	2	0396G	E6 60-65 21	• Screw coupling of fuel flowmeter		
	6	1	0396G	E6 60-67 21	• Nozzle		
	10	2	0396G	750378	• GDU 460 + Kit		
	12	1	0396G	750372	• Config. Module GDU 4XX		
	13	2	0396G	750545	• GA26 C GPS Antenna		
	15	2	0396G	750340	• GSU 25 ADAHRS Module + Kit		
	16	1	0396G	750341	• GEA 24 Engine Module + Kit		
	17	1	0396G	750343	• GMU 22 Magnetometer + Kit		
	18	1	0396G	750344	• GTP 59 OAT Sensor		
	19	1	0396G	070686	• IBBS-12v-3ah TCWTE Backup battery		
	21	1	0396G	768035	• Fuse holder		
-	22	2	0396G	768021	• Fuse 1A		
-	23	1	0396G	064538	• Fuse casing		
	24	1	0396G	739633	• Fuse		
	25	1	0396G	750335	• R912 G3X Kit		

Fig.	Item	Units per assembly / Units of issue	NCAGE	Part Number NATO Stock Number	Nomenclature	*Usable on code assy •MV/Effect	I C Y
1A							
	26	1	0396G	080601	• FT-60 fuel flowmeter		
-	27	1	0396G	064508	• Resistor 39R/1W/1%		
	28	1	0396G	768010	• Signaling light - red		
	29	1	0396G	070530	• LED Bulb		
	30	6	0396G	079896	• Hose connection		
	31	4	0396G	079891	• Distributor piece		
	33	2	0396G	051158	• Hose T-connection		
	34	14	0396G	074501	• Hose clamp Cobra 8.0/7 W4		
	35	4	0396G	074500	• Hose clamp Cobra 9.0/7 W4		
	36	10	0396G	074506	• Hose clamp Cobra 11.0/7 W4		
	37	4	0396G	074508	• Hose clamp Cobra 12.0/8 W4		
	38	AR	0396G	056105	• Hose		
	39	AR	0396G	056299	• Fuel hose Super-Flex FL7		
	40	AR	0396G	055607	• Protecting hose		
	41	AR m	0396G	118898	•		
	45	3	0396G	739588	• Circuit breaker 2TC2-5		
	46	3	0396G	739586	• Circuit breaker 2TC2-2		
	48	1	0396G	069136	• Switch illuminated		
-	52	1	0396G	740047	• Connector D-SUB		
-	53	1	0396G	740036	• Plastic cover		
-	54	2	0396G	068640	• Connector - socket type		

Applicability: All

SPORTSTAR-A-34-10-06-01A-941A-A

Fig.	Item	Units per assembly / Units of issue	NCAGE	Part Number NATO Stock Number	Nomenclature	*Usable on code assy •MV/Effect	I C Y
1A							
-	55	2	0396G	068641	• Connector - plug type		
-	56	1	0396G	068642	• Connector - socket type		
-	57	1	0396G	068643	• Connector - plug type		
-	60	7	0396G	068646	• Socket (AWG22-18)		
-	61	7	0396G	068648	• Plug (AWG22-18)		
-	62	1	0396G	739828	• Ring cable eye		
-	63	2	0396G	739829	• Ring cable eye		
-	65	47	0396G	739772	• Ring cable eye		
-	66	2	0396G	739763	• Ring cable eye		
-	67	2	0396G	068636	• Connector Faston 4.8 (AWG22-16)		
-	68	5	0396G	068637	• Connector Faston 6.3 (AWG22-16)		
-	69	4	0396G	739839	• Ring cable eye		
-	70	AR	0396G	739681	• Electrical wire AE22		
-	71	AR	0396G	739686	• Electrical wire AE10		
-	73	AR	0396G	739692	• Shielded wire UE22		
-	74	AR	0396G	739685	• Electrical wire AE12		
-	75	AR	0396G	739682	• Electrical wire AE20		
-	76	AR	0396G	739698	• Electrical wire YG20		
-	80	AR	0396G	088086	• Shrink tube RNF-3000		
-	81	AR	0396G	088087	• Shrink tube RNF-3000		
-	82	AR	0396G	088089	• Shrink tube RNF-3000		
-	84	AR	0396G	079876	• Protective spiral		

Applicability: All

SPORTSTAR-A-34-10-06-01A-941A-A

Fig.	Item	Units per assembly / Units of issue	NCAGE	Part Number NATO Stock Number	Nomenclature	*Usable on code assy •MV/Effect	I C Y
1A							
	85	2	0396G	077415	• Rubber cover		
-	86	130	0396G	060332	• Cable tie		
-	87	65	0396G	060333	• Cable tie		
-	88	15	0396G	060465	• Self-adhesive clamp		
	89	12	0396G	023710	• Screw 8-32x0.312"		
	90	12	0396G	004974 (ISO 1207)	• Screw M4x10		
-	91	4	0396G	011945 (ISO 7045)	• Screw M3x4		
-	93	2	0396G	004190	• Screw M5x16		
	94	8	0396G	012107 (ISO 4017)	• Screw M5x30		
-	95	2	0396G	001300 (ISO 4017)	• Screw M6x10		
	96	2	0396G	011829 (ISO 4762)	• Screw M6x50		
-	97	1	0396G	002132 (ISO 4017)	• Screw M8x12		
	100	12	0396G	033850 (DIN 980 V)	• Nut M4		
	101	2	0396G	033855 (DIN 980 V)	• Nut M5		
	102	8	0396G	035427	• Anchor nut M5		
	103	2	0396G	033860 (DIN 980 V)	• Nut M6		
	104	2	0396G	031651 (ISO 4035)	• Nut M10		
-	105	12	0396G	037152 (DIN 7980)	• Washer 4.1		

Applicability: All

SPORTSTAR-A-34-10-06-01A-941A-A

Fig.	Item	Units per assembly / Units of issue	NCAGE	Part Number NATO Stock Number	Nomenclature	*Usable on code assy •MV/Effect	I C Y
1A							
	106	12	0396G	038204 (ISO 7089)	• Washer 4.3		
	107	10	0396G	038193 (ISO 7089)	• Washer 5.3		
	109	6	0396G	038206 (ISO 7089)	• Washer 6.4		
	110	2	0396G	038225 (ISO 7089)	• Washer 10.5		
-	111	1	0396G	038208 (ISO 7089)	• Washer 8.4		
-	112	4	0396G	038203 (ISO 7089)	• Washer 3.2		
-	695	AR	0396G	086023	• Marking tape - PITOT		
-	696	AR	0396G	086022	• Marking tape - STATIC		
-	697	AR	D8908	096270	• Activator Loctite 7471		
-	698	AR	D8908	096249	• Adhesive Loctite 577		
-	699	AR	0396G	086956	• Self fusing wrap		
	701	6	0396G	047554 (AVDEL BE61-0408)	• Rivet 3.2x6.4		
	702	14	0396G	047560 (AVDEL 1691-0410)	• Rivet 3.2x7.9		
	703	7	0396G	047590 (AVDEL 1604-0412)	• Rivet 3.2x9.5		

Pitot-static system

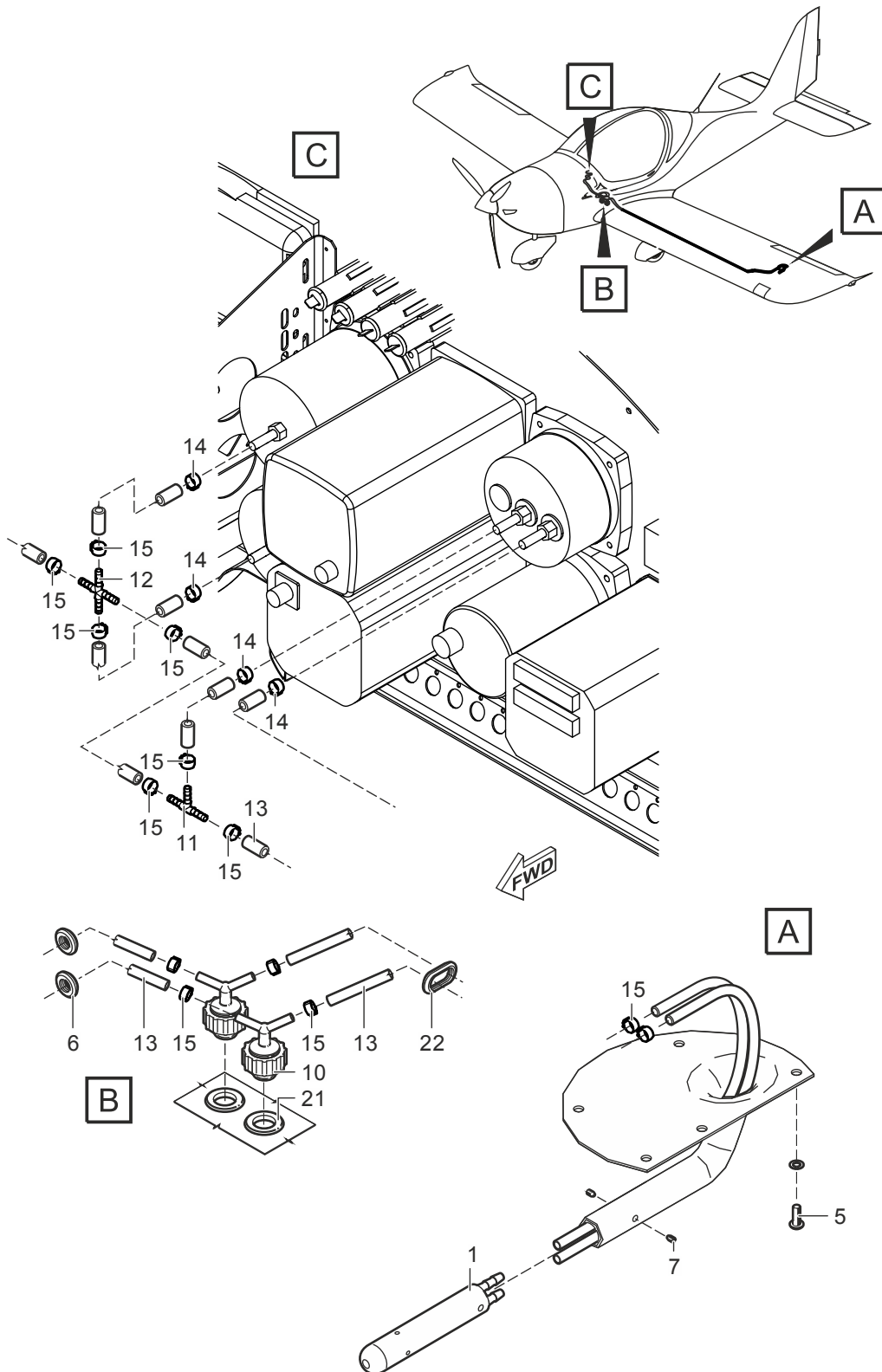
Illustrated parts data

Table of Contents	Page
Pitot-static system - Illustrated parts data.....	1
Index of Tables	Page
1 References.....	1
Index of Figures	Page
1 Pitot-static system - standard version.....	2

References

Table 1 References

Data module/Technical publication	Title
None	



ICN-SPORTSTAR-A-34-10-00-E-0396G-00044-A-001-01.CGM

Figure 1: Pitot-static system - standard version

Fig.	Item	Units per assembly / Units of issue	NCAGE	Part Number NATO Stock Number	Nomenclature	*Usable on code assy •MV/Effect	I C Y
1A							
-	0	1	0396G	E0 00-57 01	Pitot-static system		
	1	1	0396G	080087	• Pitot tube		
-	2	AR	0396G	086023	• Marking tape - PITOT		
-	3	AR	0396G	086022	• Marking tape - STATIC		
	5	5	0396G	004985	• Screw M4x12		
	6	6	0396G	076830	• Bushing 9x1		
	7	2	0396G	011182 (DIN 553)	• Screw M3x6		
-	8	AR	0396G	118898 (ASTM A580 COND A)	• Lockwire dia. 0.81 mm (0.032 in)		
	9	5	0396G	038237 (ISO 7089)	• Washer 3.7		
	10	2	0396G	335100	• Drain sump		
	11	2	0396G	079891	• Distributor piece		
	12	1	0396G	079892	• Distributor piece		
	13	AR	0396G	056105	• Hose		
	14	4	0396G	074500	• Hose clamp Cobra 9.0/7 W4		
	15	13	0396G	074501	• Hose clamp Cobra 8.0/7 W4		
-	17	5	0396G	060461	• Self-adhesive clamp		
-	18	15	0396G	060332	• Cable tie		
	21	2	0396G	077100	• Bushing 18x2		
	22	1	0396G	076955	• Bushing 13x2		
-	699	AR	0396G	096220	• Adhesive Loctite 243		

This page has been intentionally left blank.

Pitot-static system

Illustrated parts data

Table of Contents

Page

Pitot-static system - Illustrated parts data..... 1

Index of Tables

Page

1 References..... 1

Index of Figures

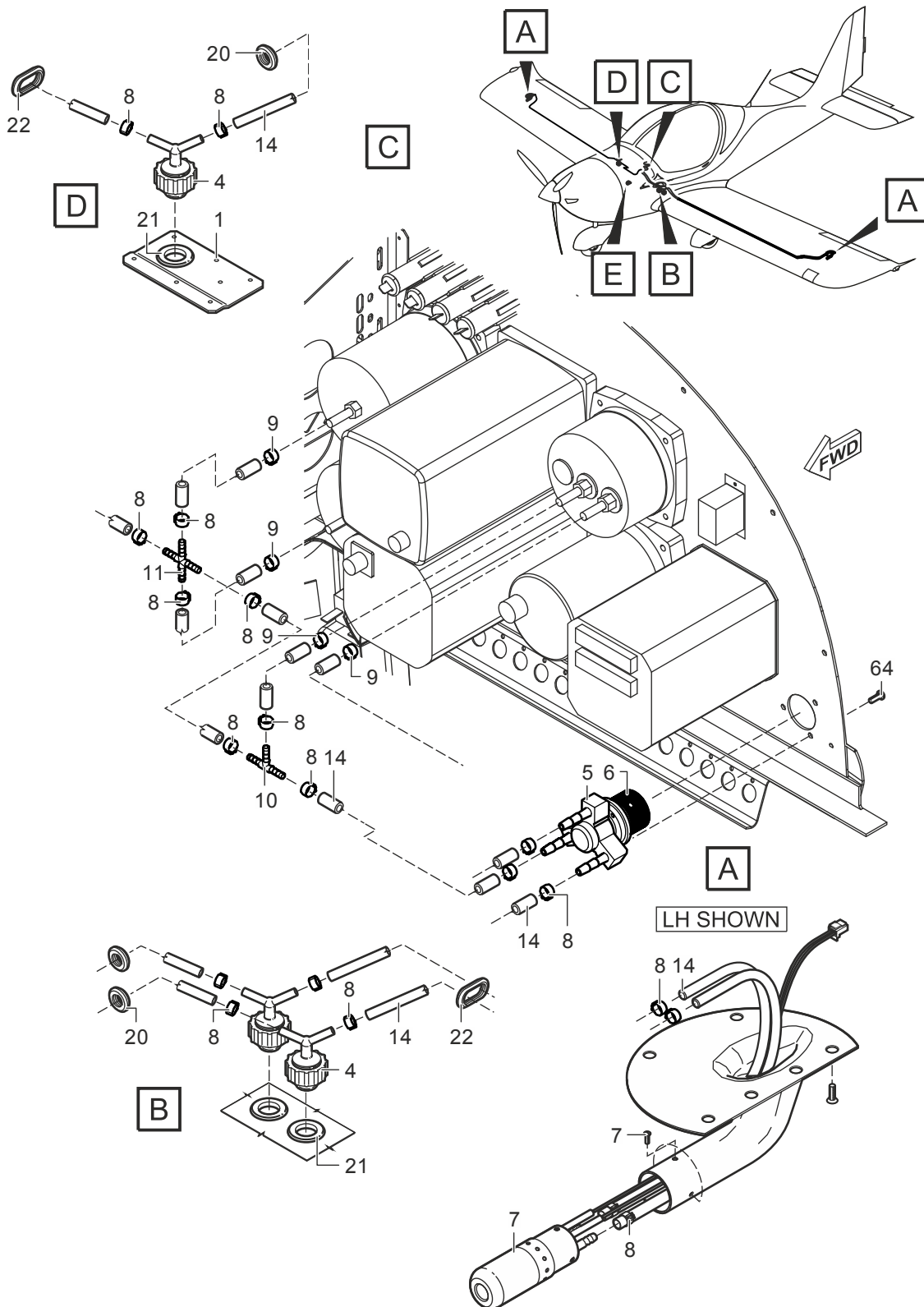
Page

1 Pitot-static system - two pitot tubes installation..... 2

References

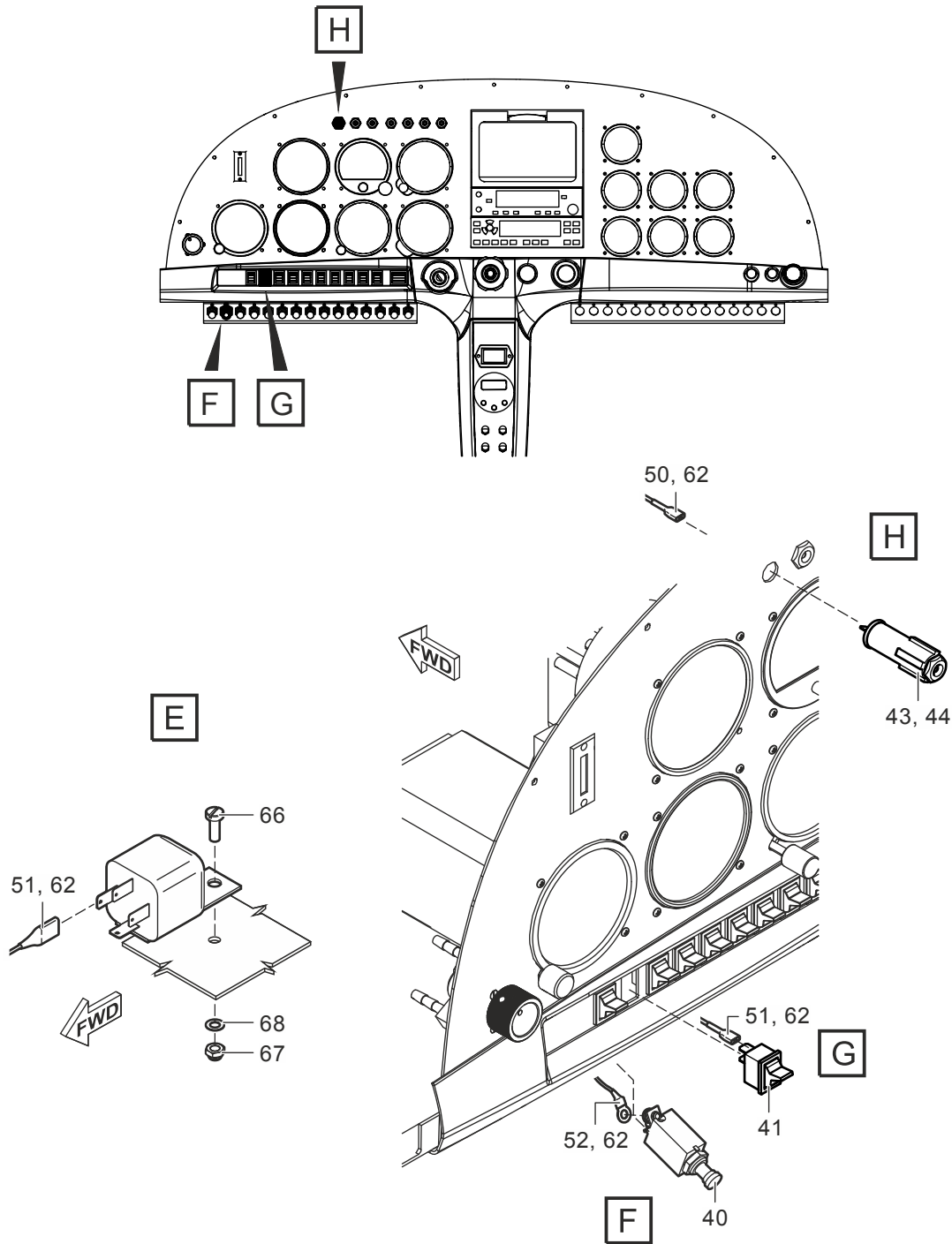
Table 1 References

Data module/Technical publication	Title
None	



ICN-SPORTSTAR-A-34-10-00-E-0396G-00093-A-001-01.CGM

Figure 1: Pitot-static system - two pitot tubes installation (Sheet 1 of 2)



ICN-SPORTSTAR-A-34-10-00-E-0396G-00094-A-001-01.CGM

Figure 1: Pitot-static system - two pitot tubes installation (Sheet 2 of 2)

Fig.	Item	Units per assembly / Units of issue	NCAGE	Part Number NATO Stock Number	Nomenclature	*Usable on code assy •MV/Effect	I C Y
1B							
-	0	1	0396G	S7 00-07 01	Pitot-static system		
	1	1	0396G	S1 02-12 21	• Reinforcement		
	4	4	0396G	335100	• Drain sump		
	5	1	0396G	081686	• Selector valve		
	6	1	0396G	079637	• Knob		
	7	2	0396G	080085	• Pitot tube		
	8	23	0396G	074501	• Hose clamp Cobra 8.0/7 W4		
	9	7	0396G	074500	• Hose clamp Cobra 9.0/7 W4		
	10	1	0396G	079891	• Distributor piece		
	11	1	0396G	079892	• Distributor piece		
	14	AR	0396G	056105	• Hose		
-	17	9	0396G	060465	• Self-adhesive clamp		
-	18	25	0396G	060332	• Cable tie		
-	19	10	0396G	060333	• Cable tie		
	20	7	0396G	076830	• Bushing 9x1		
	21	3	0396G	077100	• Bushing 18x2		
	22	1	0396G	076955	• Bushing 13x2		
-	30	AR	0396G	086022	• Marking tape - STATIC		
-	31	AR	0396G	086023	• Marking tape - PITOT		
	40	1	0396G	739592	• Circuit breaker 2TC2-10		
	41	1	0396G	069110	• Switch		
	42	1	0396G	069674	• Switch relay 12V/30A		

Applicability: All

SPORTSTAR-A-34-11-00-01B-941A-D

Fig.	Item	Units per assembly / Units of issue	NCAGE	Part Number NATO Stock Number	Nomenclature	*Usable on code assy •MV/Effect	I C Y
1B							
	43	1	0396G	768011	• Signaling light - green		
	44	1	0396G	070557	• Bulb		
	50	2	0396G	068636	• Connector Faston 4.8 (AWG22-16)		
	51	6	0396G	068637	• Connector Faston 6.3 (AWG22-16)		
	52	4	0396G	739772	• Ring cable eye		
-	53	4	0396G	068640	• Connector - socket type		
-	54	4	0396G	068641	• Connector - plug type		
-	55	6	0396G	068646	• Socket (AWG22-18)		
-	56	6	0396G	068648	• Plug (AWG22-18)		
	59	AR	0396G	739683	• Electrical wire AE18		
	60	AR	0396G	739681	• Electrical wire AE22		
	61	AR	0396G	739682	• Electrical wire AE20		
	62	AR	0396G	088086	• Shrink tube RNF-3000		
-	63	AR	0396G	088087	• Shrink tube RNF-3000		
	64	3	0396G	009069	• Screw M3x10		
-	65	2	0396G	004974 (ISO 1207)	• Screw M4x10		
	66	1	0396G	004980 (ISO 1207)	• Screw M4x12		
	67	4	0396G	033850 (DIN 980 V)	• Nut M4		
	68	2	0396G	038204 (ISO 7089)	• Washer 4.3		
-	699	AR	0396G	096220	• Adhesive Loctite 243		

Applicability: All

SPORTSTAR-A-34-11-00-01B-941A-D



Fig.	Item	Units per assembly / Units of issue	NCAGE	Part Number NATO Stock Number	Nomenclature	*Usable on code assy •MV/Effect	I C Y
1B							
-	700	6	0396G	047560 (AVDEL 1691-0410)	• Rivet 3.2x7.9		

Pitot-static system

Illustrated parts data

Table of Contents

	Page
Pitot-static system - Illustrated parts data.....	1

Index of Tables

	Page
1 References.....	1

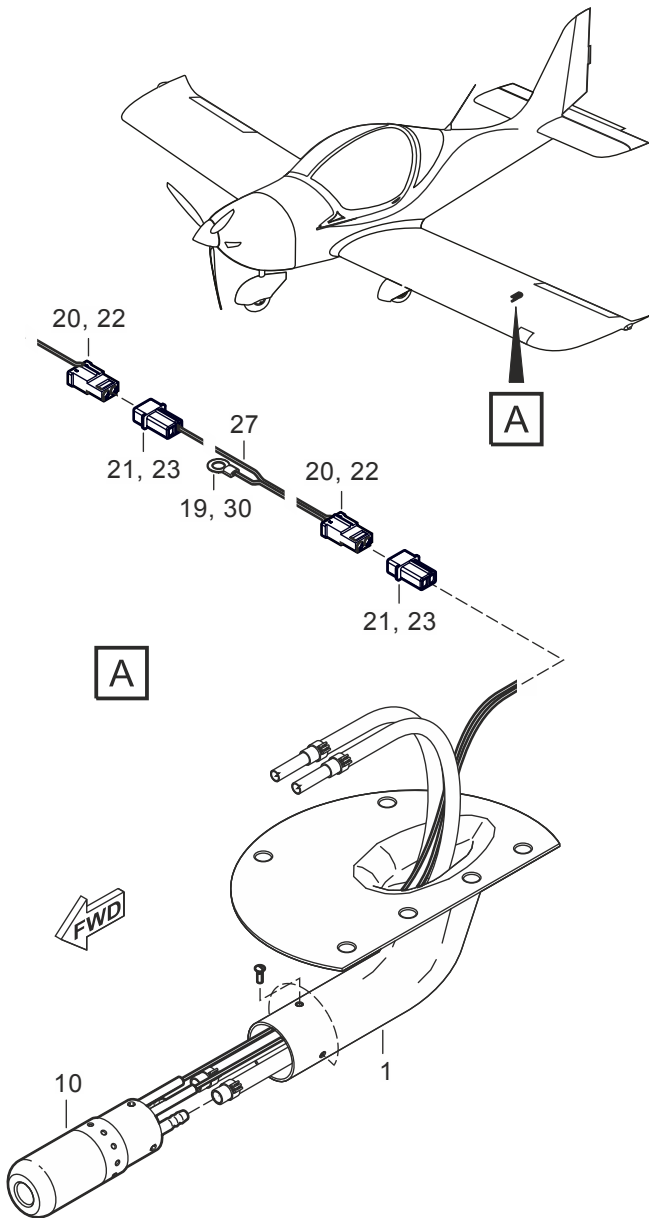
Index of Figures

	Page
1 Pitot-static system - heated pitot tube installation.....	2

References

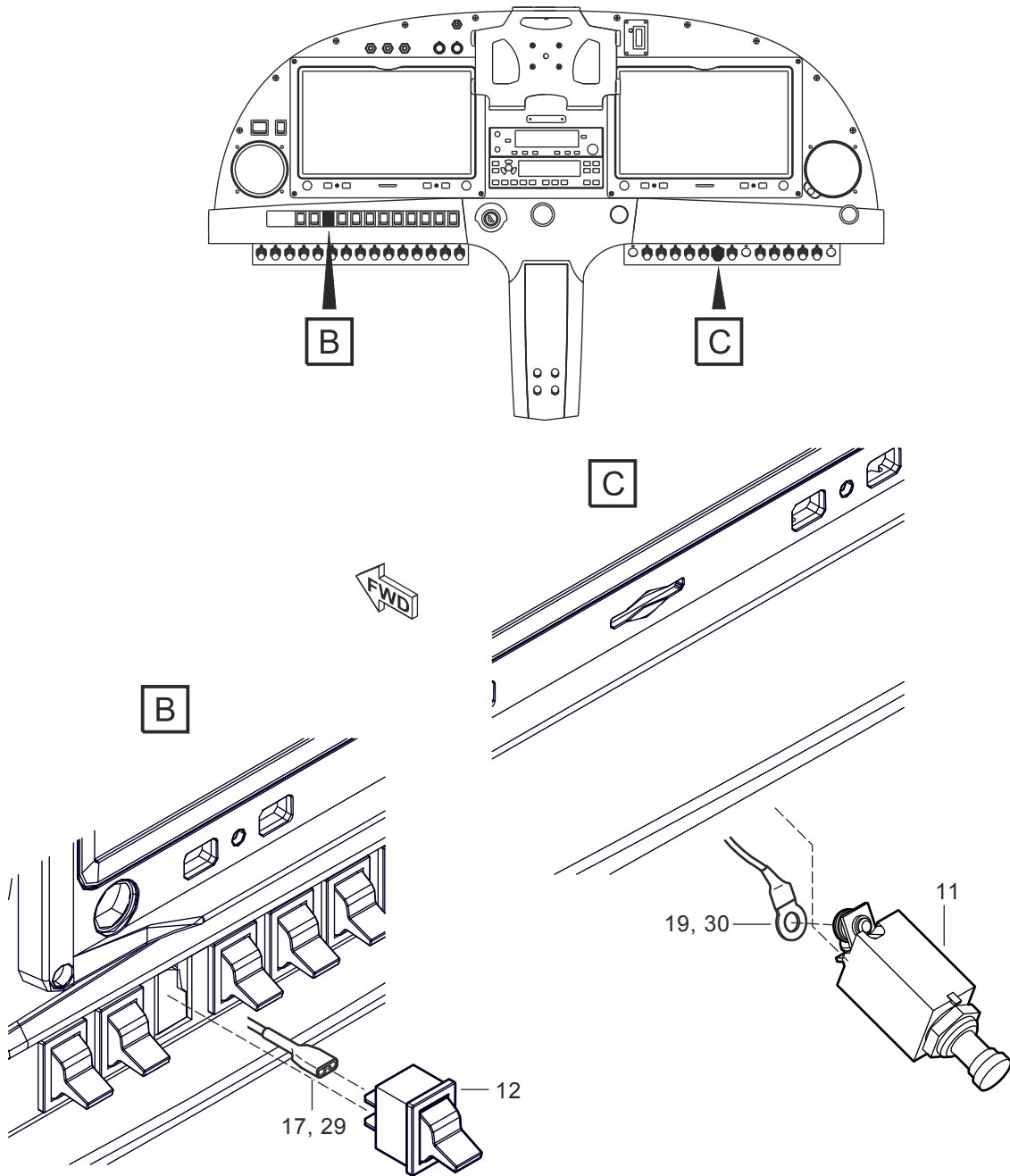
Table 1 References

Data module/Technical publication	Title
None	



ICN-SPORTSTAR-A-34-10-00-E-0396G-00186-A-000-01.CGM

Figure 1: Pitot-static system - heated pitot tube installation (Sheet 1 of 2)



ICN-SPORTSTAR-A-34-10-00-E-0396G-00187-A-000-01.CGM

Figure 1: Pitot-static system - heated pitot tube installation (Sheet 2 of 2)



Fig.	Item	Units per assembly / Units of issue	NCAGE	Part Number NATO Stock Number	Nomenclature	*Usable on code assy •MV/Effect	I C Y
1C							
-	0	1	0396G	S7 00-16 01	Pitot-static system - heated pitot tube installation		
	1	1	0396G	SG7 05-01 01	• Pitot tube holder		
	10	1	0396G	080085	• Pitot tube		
	11	1	0396G	739588	• Circuit breaker 2TC2-5		
	12	1	0396G	069110	• Switch		
	17	2	0396G	068636	• Connector Faston 4.8 (AWG22-16)		
	19	3	0396G	739772	• Ring cable eye		
	20	2	0396G	068640	• Connector - socket type		
	21	2	0396G	068641	• Connector - plug type		
	22	3	0396G	068646	• Socket (AWG22-18)		
	23	3	0396G	068648	• Plug (AWG22-18)		
	27	AR	0396G	739681	• Electrical wire AE22		
	29	AR	0396G	088086	• Shrink tube RNF-3000		
	30	AR	0396G	088087	• Shrink tube RNF-3000		
-	33	15	0396G	060332	• Cable tie		
-	34	5	0396G	060333	• Cable tie		

Pitot-static system

Illustrated parts data

Table of Contents

	Page
Pitot-static system - Illustrated parts data.....	1

Index of Tables

	Page
1 References.....	1

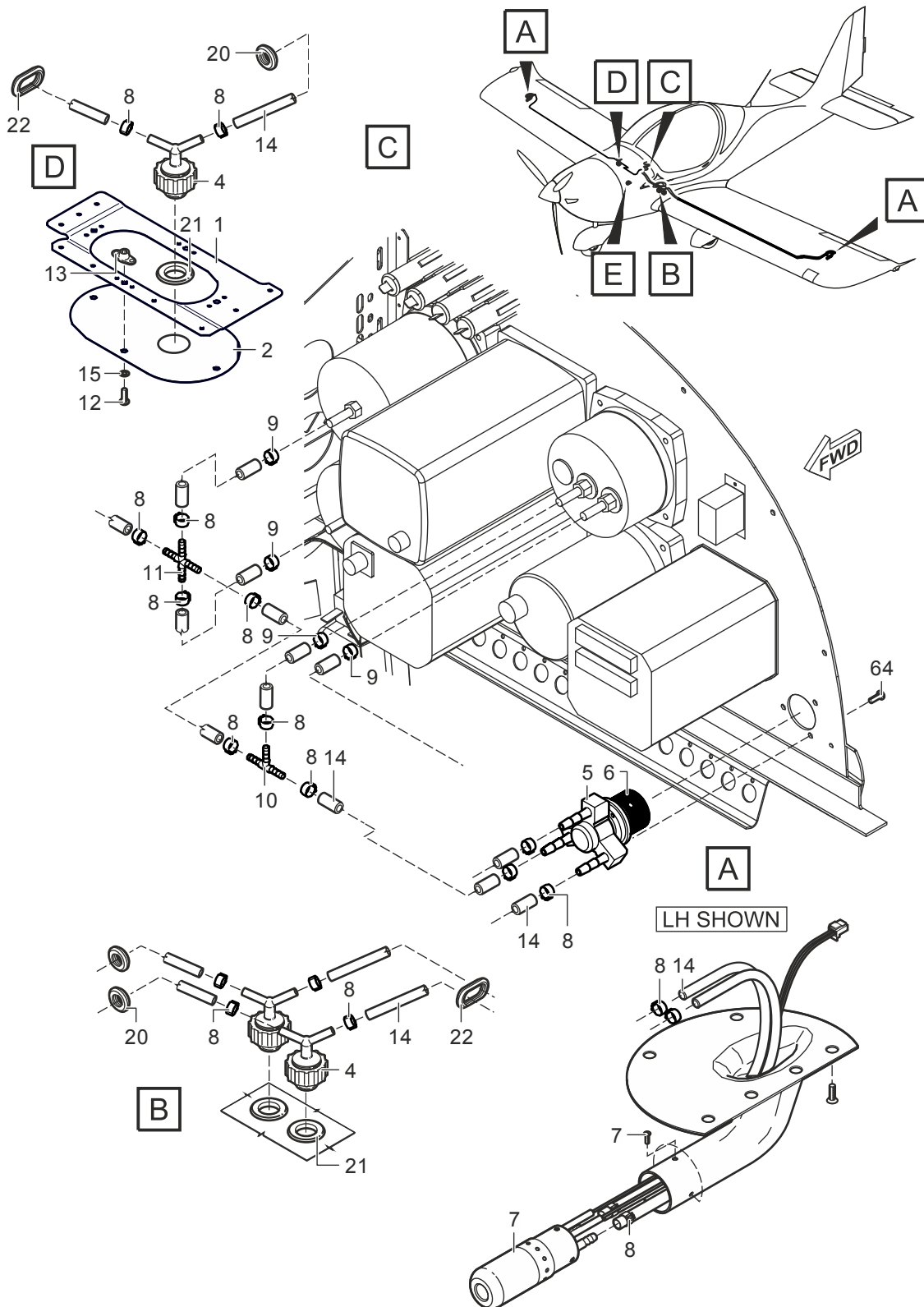
Index of Figures

	Page
1 Pitot-static system - two pitot tubes installation - new version.....	2

References

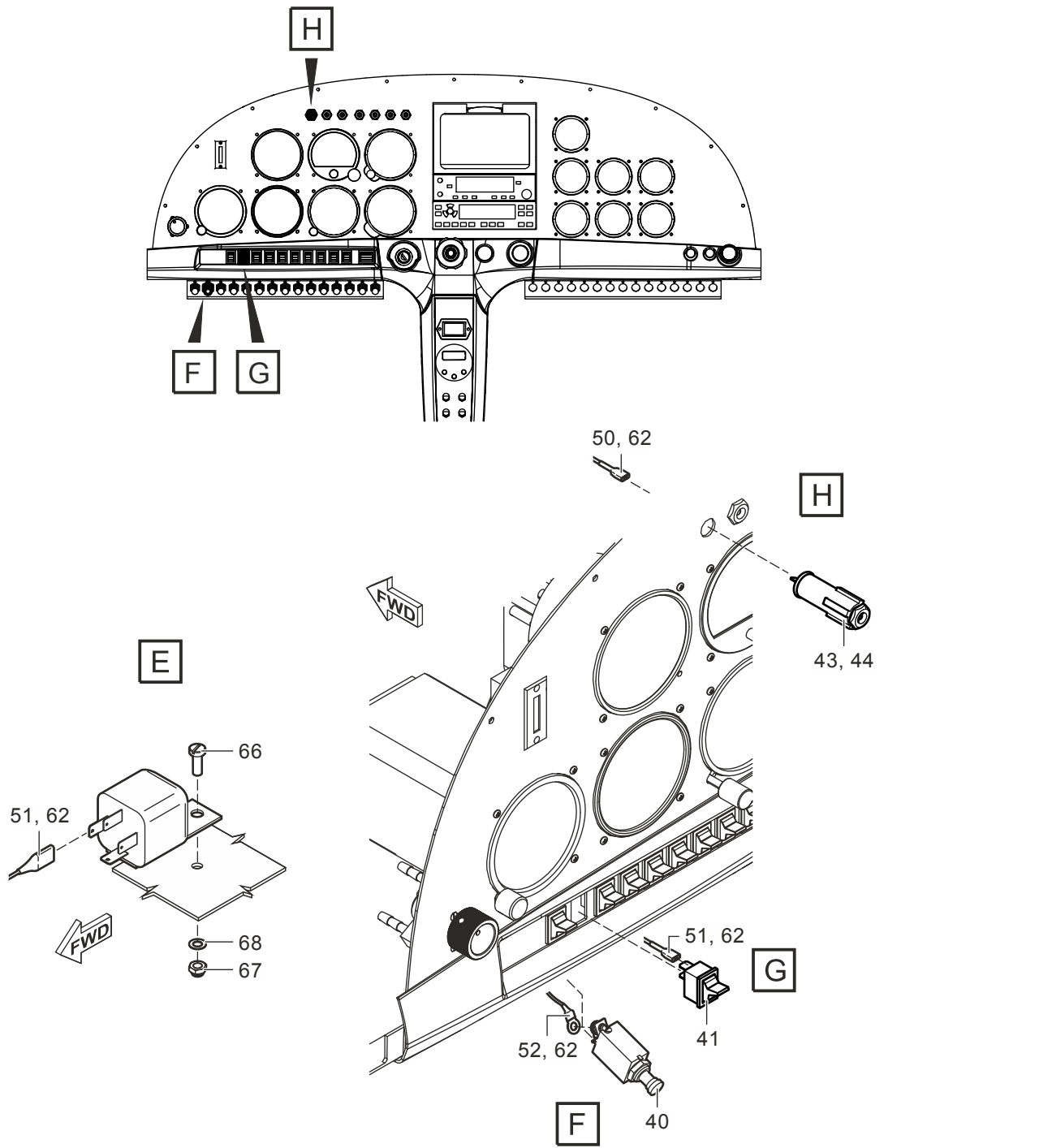
Table 1 References

Data module/Technical publication	Title
None	



ICN-SPORTSTAR-A-34-10-00-E-0396G-00208-A-000-01.CGM

Figure 1: Pitot-static system - two pitot tubes installation - new version (Sheet 1 of 2)



ICN-SPORTSTAR-A-34-10-00-E-0396G-00094-A-001-01.CGM

Figure 1: Pitot-static system - two pitot tubes installation - new version (Sheet 2 of 2)

Fig.	Item	Units per assembly / Units of issue	NCAGE	Part Number NATO Stock Number	Nomenclature	*Usable on code assy •MV/Effect	I C Y
1D							
-	0	1	0396G	S7 00-07 01	Pitot-static system		
	1	1	0396G	S1 02-13 22	• Reinforcement R		
	2	1	0396G	S1 02-14 21	• Lid		
	4	3	0396G	335100	• Drain sump		
	5	1	0396G	081686	• Selector valve		
	6	1	0396G	079637	• Knob		
	7	2	0396G	080085	• Pitot tube		
	8	23	0396G	074501	• Hose clamp Cobra 8.0/7 W4		
	9	7	0396G	074500	• Hose clamp Cobra 9.0/7 W4		
	10	1	0396G	079891	• Distributor piece		
	11	1	0396G	079892	• Distributor piece		
	12	4	0396G	004985	• Screw M4x12		
	13	4	0396G	033651	• Nut M4		
	14	AR	0396G	056105	• Hose		
	15	4	0396G	038237 (ISO 7089)	• Washer 3.7		
-	17	9	0396G	060465	• Self-adhesive clamp		
-	18	25	0396G	060332	• Cable tie		
-	19	10	0396G	060333	• Cable tie		
	20	7	0396G	076830	• Bushing 9x1		
	21	3	0396G	077060 (CSN 63 3881.3)	• Bushing 18x1		
	22	2	0396G	076955	• Bushing 13x2		

Fig.	Item	Units per assembly / Units of issue	NCAGE	Part Number NATO Stock Number	Nomenclature	*Usable on code assy •MV/Effect	I C Y
1D							
-	30	AR	0396G	086022	• Marking tape - STATIC		
-	31	AR	0396G	086023	• Marking tape - PITOT		
	40	1	0396G	739592	• Circuit breaker 2TC2-10		
	41	1	0396G	069110	• Switch		
	42	1	0396G	069674	• Switch relay 12V/30A		
	43	1	0396G	768011	• Signaling light - green		
	44	1	0396G	070557	• Bulb		
	50	2	0396G	068636	• Connector Faston 4.8 (AWG22-16)		
	51	6	0396G	068637	• Connector Faston 6.3 (AWG22-16)		
	52	4	0396G	739772	• Ring cable eye		
-	53	4	0396G	068640	• Connector - socket type		
-	54	4	0396G	068641	• Connector - plug type		
-	55	6	0396G	068646	• Socket (AWG22-18)		
-	56	6	0396G	068648	• Plug (AWG22-18)		
	59	AR	0396G	739683	• Electrical wire AE18		
	60	AR	0396G	739681	• Electrical wire AE22		
	61	AR	0396G	739682	• Electrical wire AE20		
	62	AR	0396G	088086	• Shrink tube RNF-3000		
-	63	AR	0396G	088087	• Shrink tube RNF-3000		
	64	3	0396G	009069	• Screw M3x10		
-	65	2	0396G	004974 (ISO 1207)	• Screw M4x10		

Fig.	Item	Units per assembly / Units of issue	NCAGE	Part Number NATO Stock Number	Nomenclature	*Usable on code assy •MV/Effect	I C Y
1D							
	66	1	0396G	004980 (ISO 1207)	• Screw M4x12		
	67	4	0396G	033850 (DIN 980 V)	• Nut M4		
	68	4	0396G	038204 (ISO 7089)	• Washer 4.3		
-	699	AR	0396G	096220	• Adhesive Loctite 243		
-	700	8	0396G	047560 (AVDEL 1691-0410)	• Rivet 3.2x7.9		
-	701	12	0396G	047590 (AVDEL 1604-0412)	• Rivet 3.2x9.5		

Pitot-static system

Illustrated parts data

Table of Contents

	Page
Pitot-static system - Illustrated parts data.....	1

Index of Tables

	Page
1 References.....	1

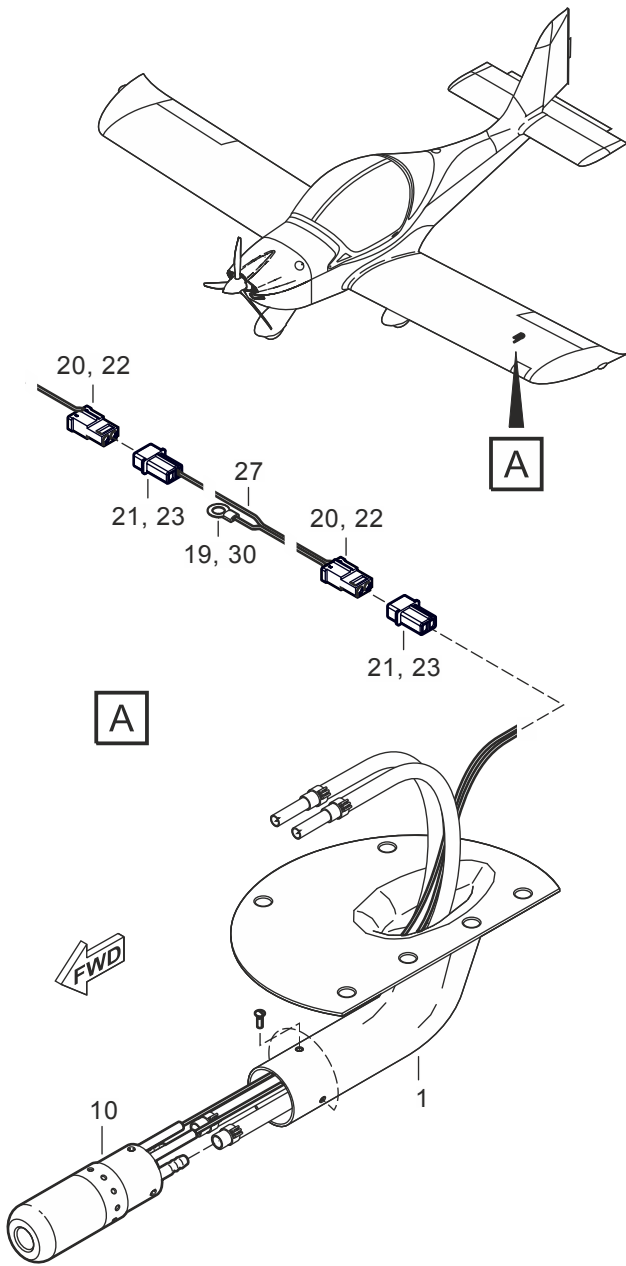
Index of Figures

	Page
1 Pitot-static system - heated pitot tube installation - NVFR installation.....	2

References

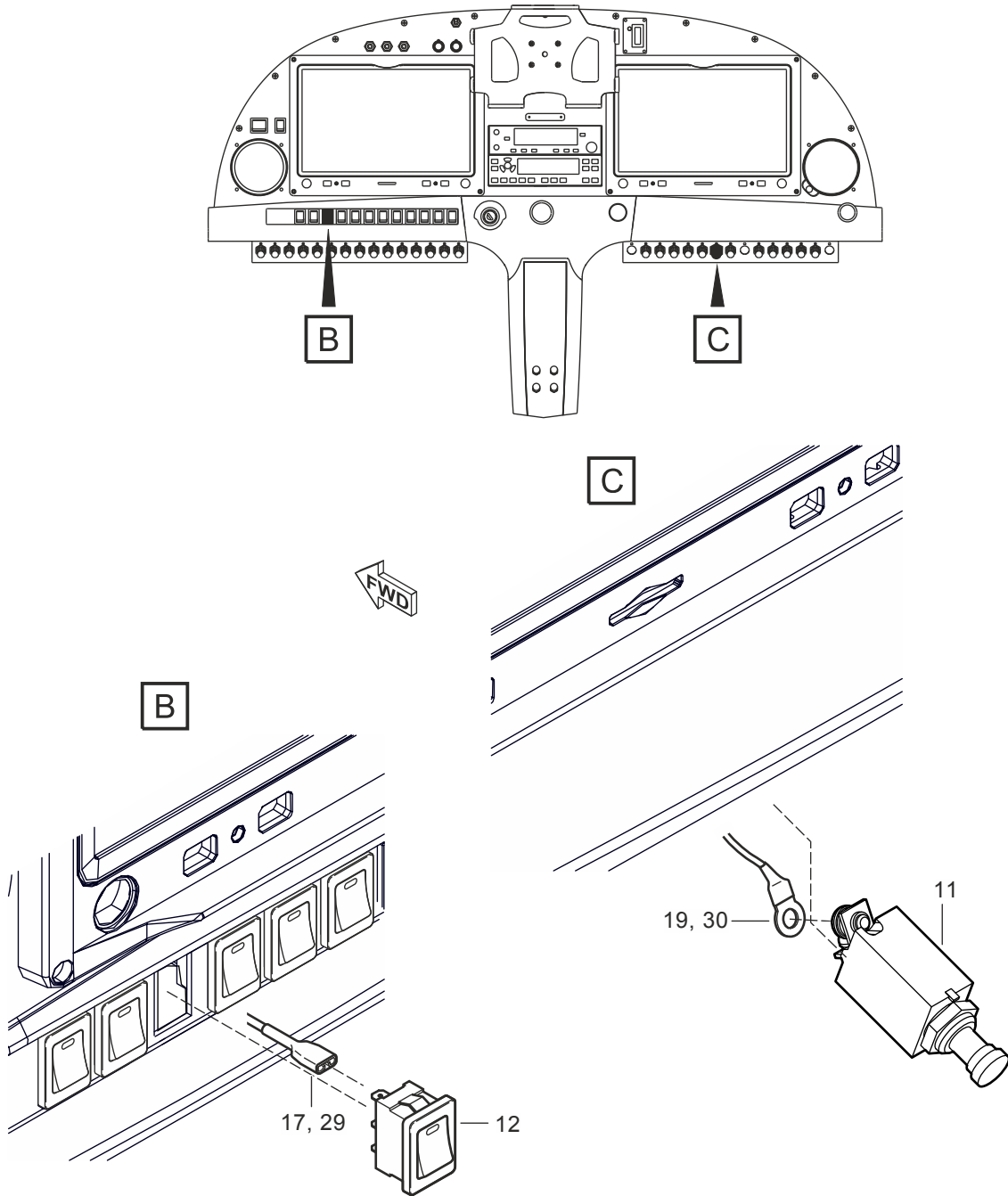
Table 1 References

Data module/Technical publication	Title
None	



ICN-SPORTSTAR-A-34-10-00-E-0396G-00228-A-000-01.CGM

Figure 1: Pitot-static system - heated pitot tube installation - NVFR installation (Sheet 1 of 2)



ICN-SPORTSTAR-A-34-10-00-E-0396G-00229-A-000-01.CGM

Figure 1: Pitot-static system - heated pitot tube installation - NVFR installation (Sheet 2 of 2)



Fig.	Item	Units per assembly / Units of issue	NCAGE	Part Number NATO Stock Number	Nomenclature	*Usable on code assy •MV/Effect	I C Y
1E							
-	0	1	0396G	S7 00-16 99	Pitot-static system - heated pitot tube installation - NVFR installation		
	1	1	0396G	SG7 05-01 01	• Pitot tube holder		
	10	1	0396G	080085	• Pitot tube		
	11	1	0396G	739588	• Circuit breaker 2TC2-5		
	12	1	0396G	069135	• Switch illuminated		
	17	3	0396G	068636	• Connector Faston 4.8 (AWG22-16)		
	19	3	0396G	739772	• Ring cable eye		
	20	2	0396G	068640	• Connector - socket type		
	21	2	0396G	068641	• Connector - plug type		
	22	3	0396G	068646	• Socket (AWG22-18)		
	23	3	0396G	068648	• Plug (AWG22-18)		
	27	AR	0396G	739681	• Electrical wire AE22		
	29	AR	0396G	088086	• Shrink tube RNF-3000		
	30	AR	0396G	088087	• Shrink tube RNF-3000		
-	33	15	0396G	060332	• Cable tie		
-	34	5	0396G	060333	• Cable tie		

Flight instruments LUN

Illustrated parts data

Table of Contents

	Page
Flight instruments LUN - Illustrated parts data.....	1

Index of Tables

	Page
1 References.....	1

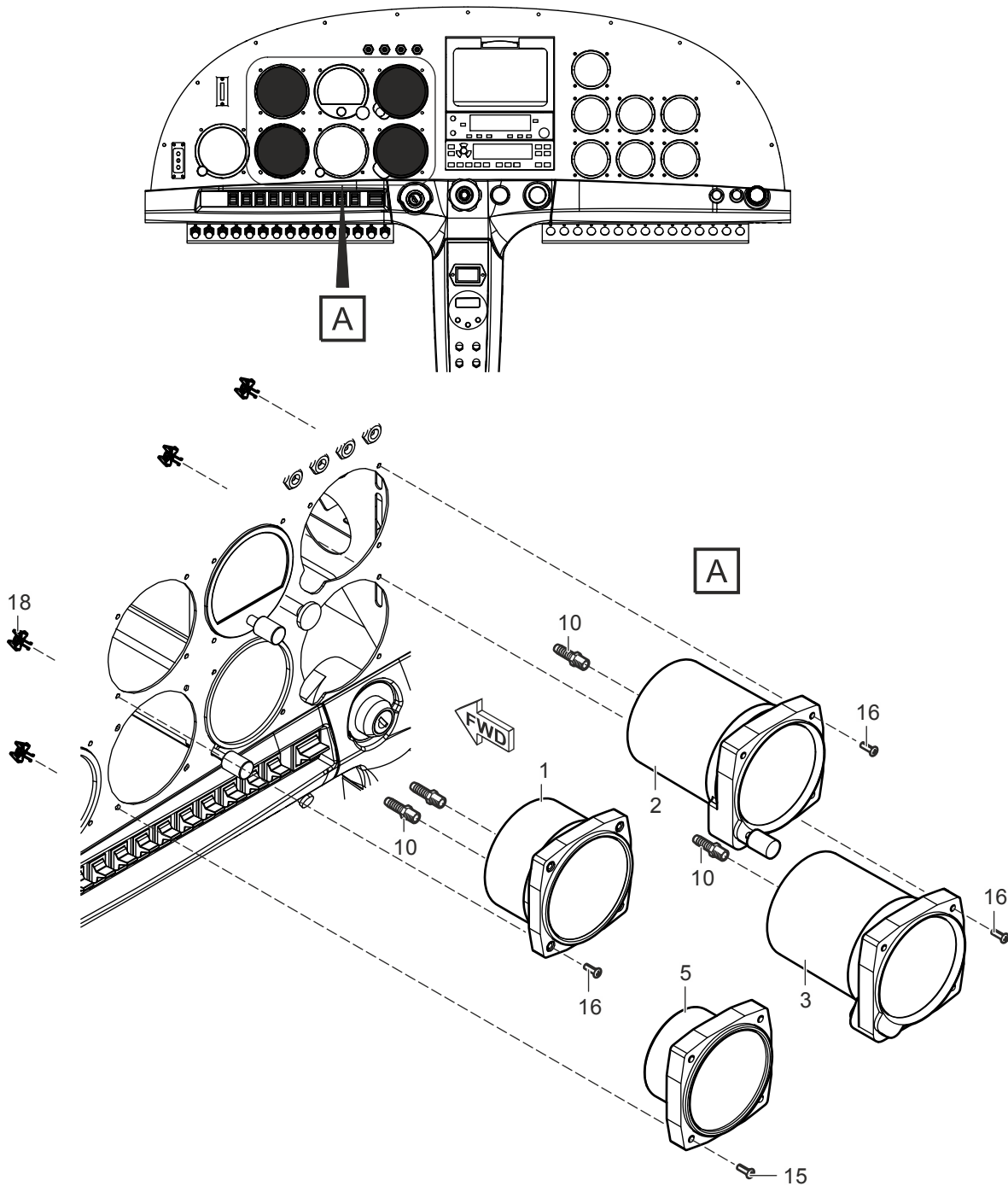
Index of Figures

	Page
1 Flight instruments LUN.....	2

References

Table 1 References

Data module/Technical publication	Title
None	



ICN-SPORTSTAR-A-34-10-00-E-0396G-00101-A-001-01.CGM

Figure 1: Flight instruments LUN

Fig.	Item	Units per assembly / Units of issue	NCAGE	Part Number NATO Stock Number	Nomenclature	*Usable on code assy •MV/Effect	I C Y
1A							
-	0	1	0396G	E7 59-01 01	Flight instruments LUN		
	1	1	0396G	080018	• Airspeed indicator LUN 1106.E4B1		
	2	1	0396G	080060	• Altimeter LUN 1128.12B6		
	3	1	0396G	080058	• Vertical speed ind. LUN 1144.F2B1		
	5	1	0396G	080138	• Bank indicator CHY-1		
	10	4	0396G	079896	• Hose connection		
	15	4	0396G	023805	• Screw 6-32x0.75"		
	16	10	0396G	023803	• Screw 6-32x1"		
	18	14	0396G	739971	• Nut		

This page has been intentionally left blank.

Flight instruments - China

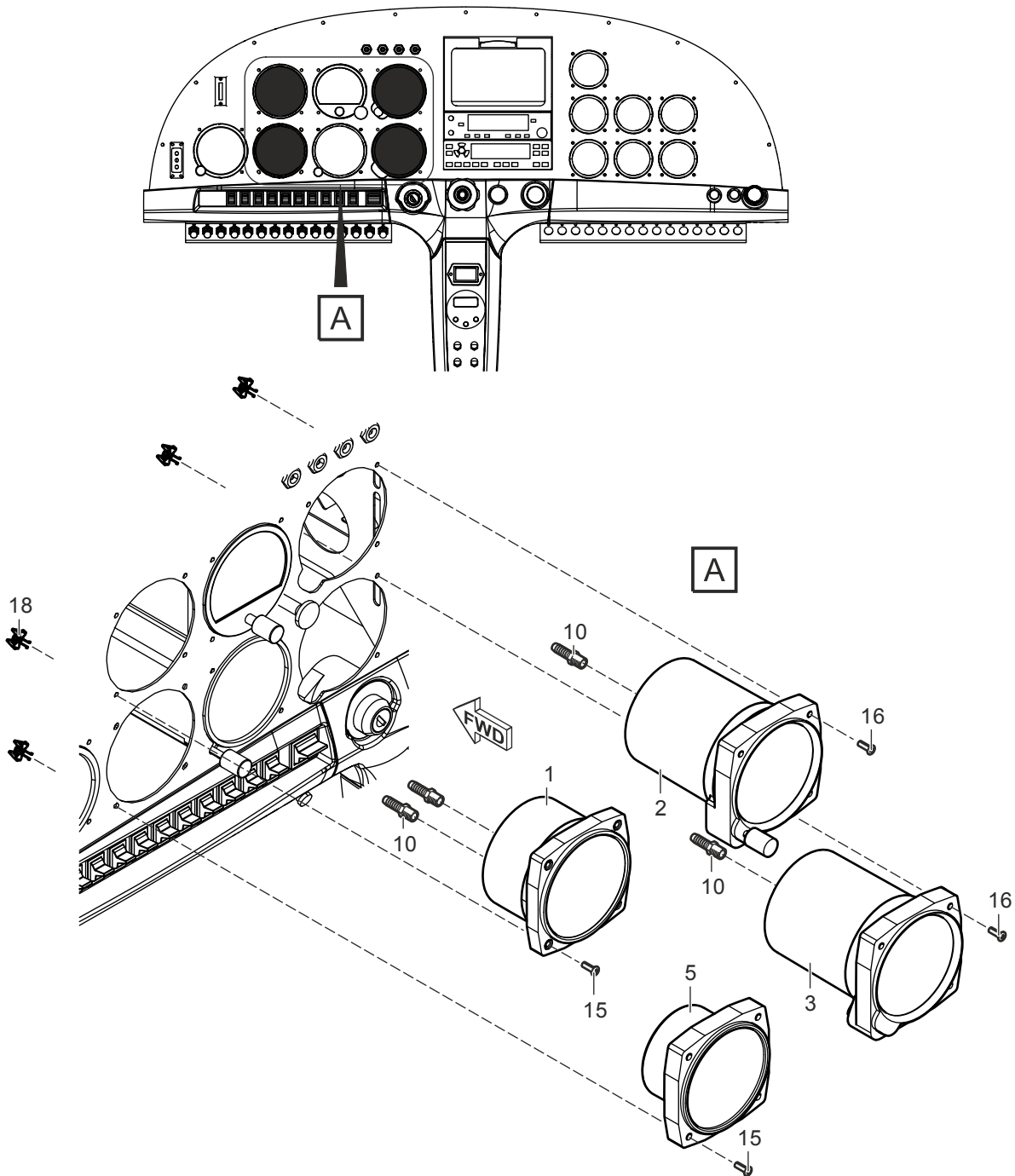
Illustrated parts data

Table of Contents	Page
Flight instruments - China - Illustrated parts data.....	1
Index of Tables	Page
1 References.....	1
Index of Figures	Page
1 Flight instruments -Chinese instruments.....	2

References

Table 1 References

Data module/Technical publication	Title
None	



ICN-SPORTSTAR-A-34-10-00-E-0396G-00100-A-001-01.CGM

Figure 1: Flight instruments -Chinese instruments

Fig.	Item	Units per assembly / Units of issue	NCAGE	Part Number NATO Stock Number	Nomenclature	*Usable on code assy •MV/Effect	I C Y
1A							
-	0	1	0396G	E7 60-01 01	Flight instruments - China		
	1	1	0396G	080040	• Airspeed indicator BK300		
	2	1	0396G	080089	• Altimeter BG3A		
	3	1	0396G	080076	• Vertical speed ind. BC10-1B		
	5	1	0396G	080138	• Bank indicator CHY-1		
	10	4	0396G	079896	• Hose connection		
	15	8	0396G	023805	• Screw 6-32x0.75"		
	16	6	0396G	023803	• Screw 6-32x1"		
	18	14	0396G	739971	• Nut		

This page has been intentionally left blank.

Backup flight instruments UMA/Winter

Illustrated parts data

Table of Contents	Page
Backup flight instruments UMA/Winter - Illustrated parts data.....	1

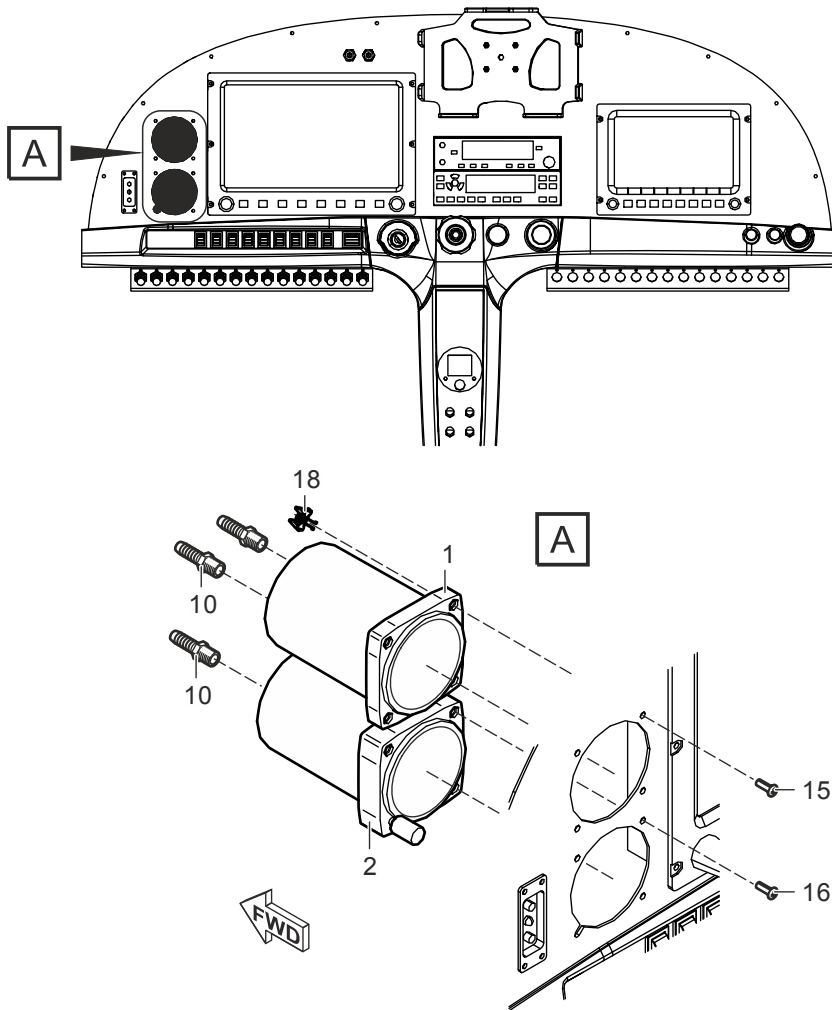
Index of Tables	Page
1 References.....	1

Index of Figures	Page
1 Backup flight instruments UMA/Winter.....	2

References

Table 1 References

Data module/Technical publication	Title
None	



ICN-SPORTSTAR-A-34-10-00-E-0396G-00136-A-001-01.CGM

Figure 1: Backup flight instruments UMA/Winter

Fig.	Item	Units per assembly / Units of issue	NCAGE	Part Number NATO Stock Number	Nomenclature	*Usable on code assy •MV/Effect	I C Y
1A							
-	0	1	0396G	S7 62-50 01	Backup flight instruments UMA/Winter		
	1	1	0396G	080010	• Airspeed indicator UMA		
	2	1	0396G	080073	• Altimeter Winter		
	10	3	0396G	079896	• Hose connection		
	15	4	0396G	023805	• Screw 6-32x0.75"		

Applicability: All

SPORTSTAR-A-34-14-00-01A-941A-D



Fig.	Item	Units per assembly / Units of issue	NCAGE	Part Number NATO Stock Number	Nomenclature	*Usable on code assy •MV/Effect	I C Y
1A							
	16	3	0396G	023803	• Screw 6-32x1"		
	18	7	0396G	739971	• Nut		

This page has been intentionally left blank.

Backup flight instruments LUN

Illustrated parts data

Table of Contents	Page
Backup flight instruments LUN - Illustrated parts data.....	1

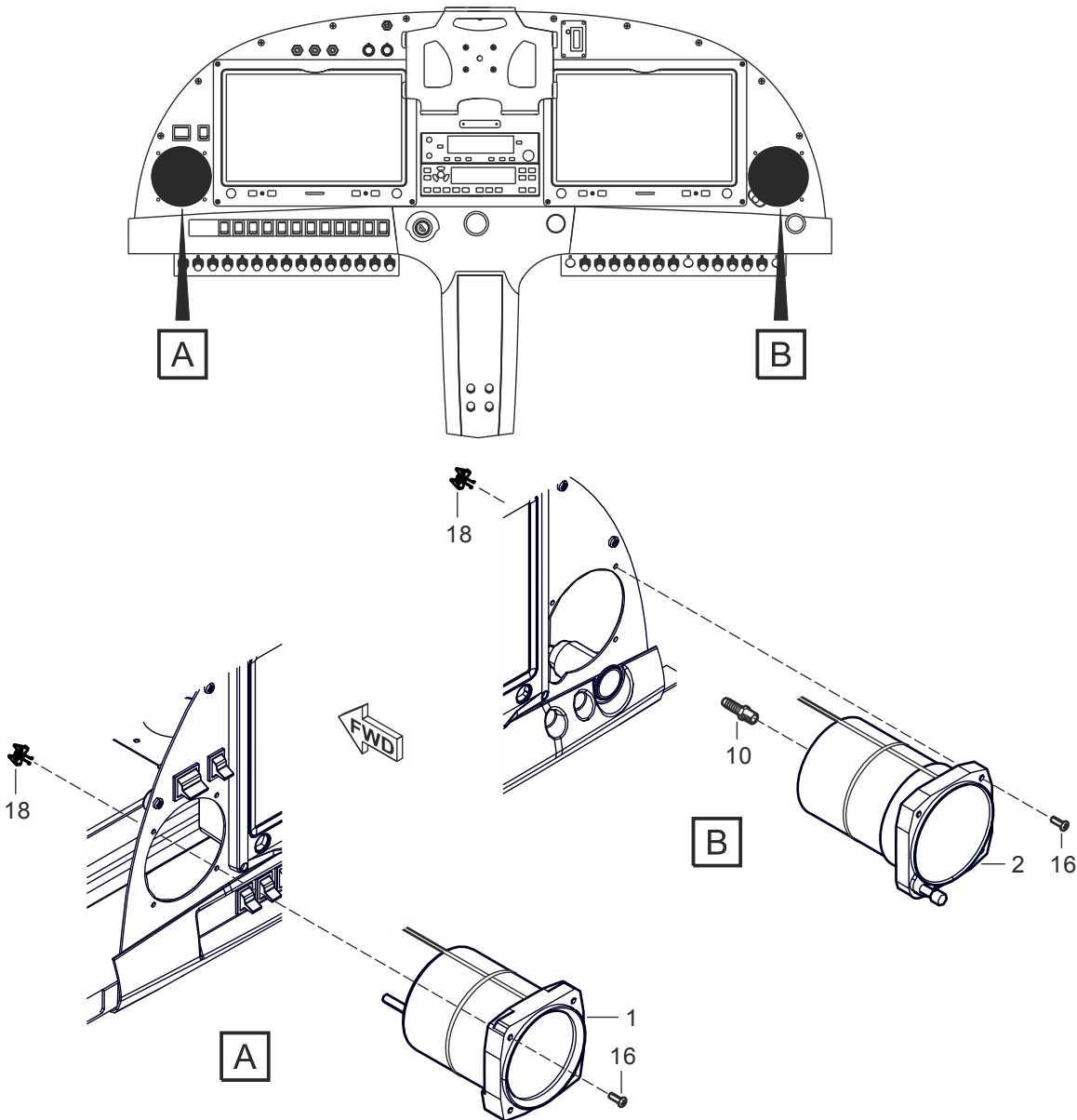
Index of Tables	Page
1 References.....	1

Index of Figures	Page
1 Backup flight instruments LUN.....	2

References

Table 1 References

Data module/Technical publication	Title
None	



ICN-SPORTSTAR-A-34-10-00-E-0396G-00190-A-000-01.CGM

Figure 1: Backup flight instruments LUN

Fig.	Item	Units per assembly / Units of issue	NCAGE	Part Number NATO Stock Number	Nomenclature	*Usable on code assy •MV/Effect	I C Y
1A	-	0	1	0396G	E7 59-11 01	Backup flight instruments LUN	

Applicability: All

SPORTSTAR-A-34-15-00-01A-941A-D

Fig.	Item	Units per assembly / Units of issue	NCAGE	Part Number NATO Stock Number	Nomenclature	*Usable on code assy •MV/Effect	I C Y
1A							
	1	1	0396G	080020	• Airspeed indicator LUN 1106.14B2		
	2	1	0396G	080060	• Altimeter LUN 1128.12B6		
	10	1	0396G	079896	• Hose connection		
	16	7	0396G	023803	• Screw 6-32x1"		
	18	7	0396G	739971	• Nut		

This page has been intentionally left blank.

Backup flight instruments UMA

Illustrated parts data

Table of Contents	Page
Backup flight instruments UMA - Illustrated parts data.....	1

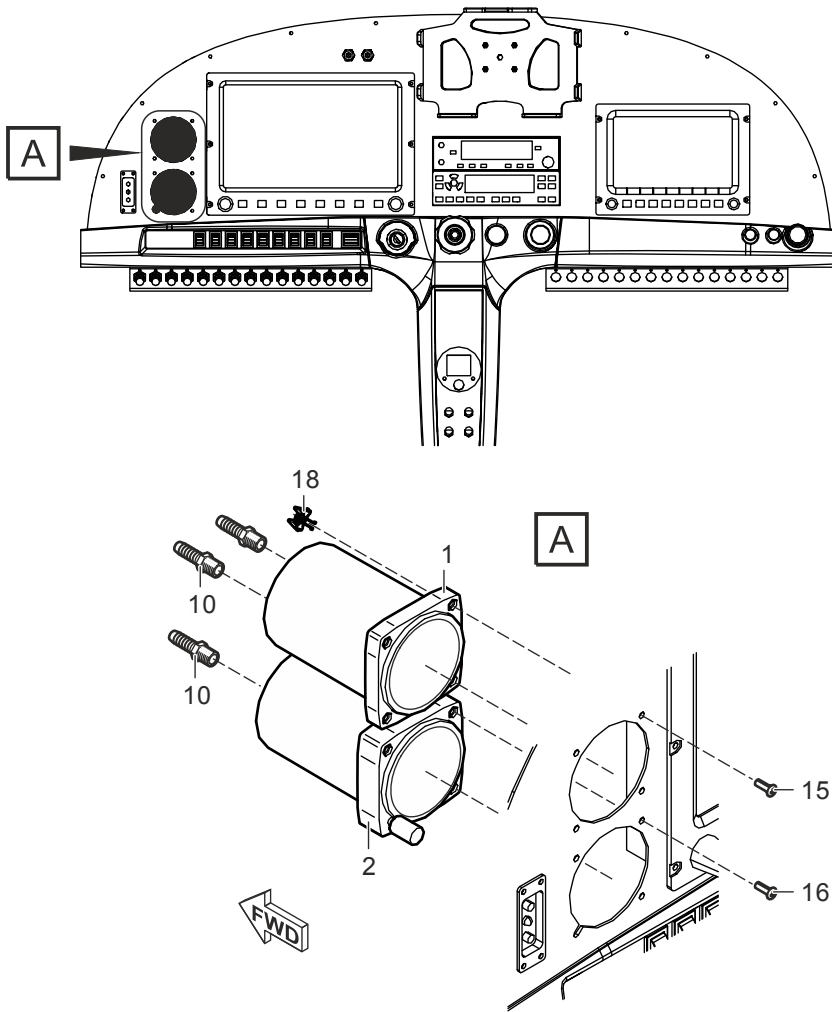
Index of Tables	Page
1 References.....	1

Index of Figures	Page
1 Backup flight instruments UMA.....	2

References

Table 1 References

Data module/Technical publication	Title
None	



ICN-SPORTSTAR-A-34-10-00-E-0396G-00188-A-000-01.CGM

Figure 1: Backup flight instruments UMA

Fig.	Item	Units per assembly / Units of issue	NCAGE	Part Number NATO Stock Number	Nomenclature	*Usable on code assy •MV/Effect	I C Y
1A							
-	0	1	0396G	E7 62-50 01	Backup flight instruments UMA		
	1	1	0396G	080009	• Airspeed indicator UMA		
	2	1	0396G	080079	• Altimeter UMA		
	10	3	0396G	079896	• Hose connection		
	15	4	0396G	023805	• Screw 6-32x0.75"		

Applicability: All

SPORTSTAR-A-34-16-00-01A-941A-D



Fig.	Item	Units per assembly / Units of issue	NCAGE	Part Number NATO Stock Number	Nomenclature	*Usable on code assy •MV/Effect	I C Y
1A							
	16	3	0396G	023803	• Screw 6-32x1"		
	18	7	0396G	739971	• Nut		

This page has been intentionally left blank.

Magnetic compass

Illustrated parts data

Table of Contents	Page
Magnetic compass - Illustrated parts data.....	1

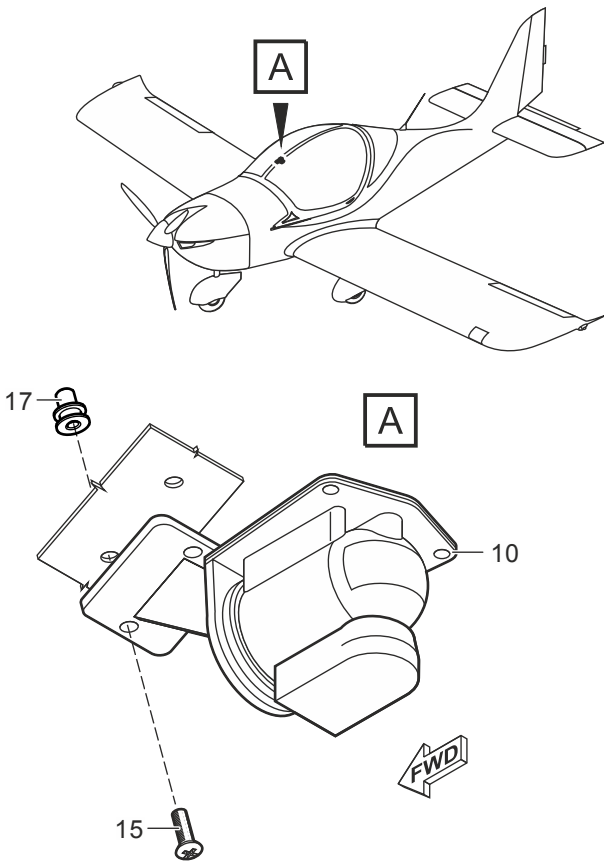
Index of Tables	Page
1 References.....	1

Index of Figures	Page
1 Magnetic compass.....	2

References

Table 1 References

Data module/Technical publication	Title
None	



ICN-SPORTSTAR-A-34-20-00-E-0396G-00102-A-001-01.CGM
 Figure 1: Magnetic compass

Fig.	Item	Units per assembly / Units of issue	NCAGE	Part Number NATO Stock Number	Nomenclature	*Usable on code assy •MV/Effect	I C Y
1A	-	0	1	0396G E7 26-40 01	Magnetic compass		
		10	1	0396G 080164	• Magnetic compass SIRS		
		15	2	0396G 010971 (ISO 7045)	• Screw M3x12		
		17	2	0396G 035425	• Anchor nut M3		

Artificial horizon

Illustrated parts data

Table of Contents

	Page
Artificial horizon - Illustrated parts data.....	1

Index of Tables

	Page
1 References.....	1

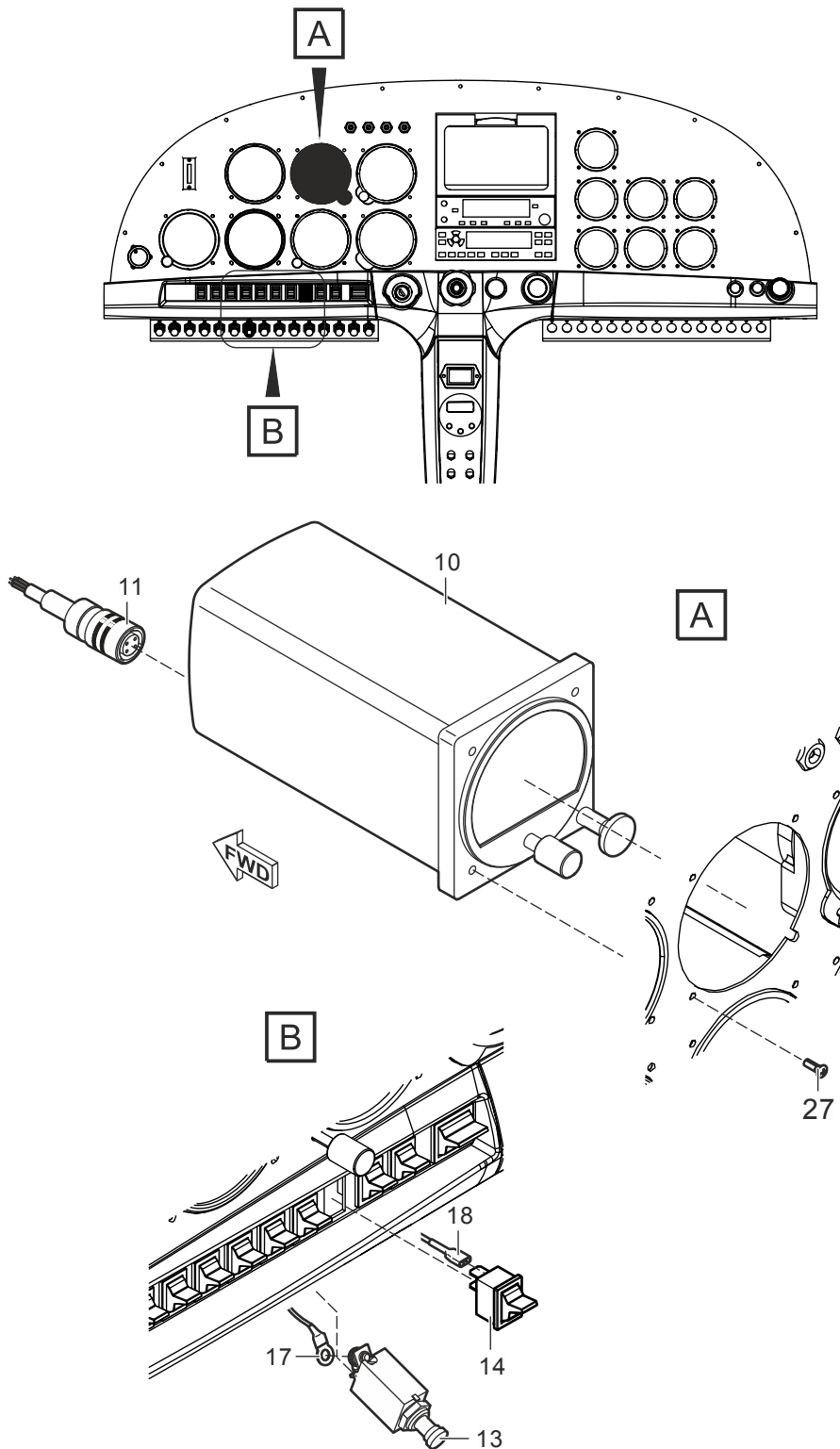
Index of Figures

	Page
1 Artificial horizon RCA 26AK.....	2

References

Table 1 References

Data module/Technical publication	Title
None	



ICN-SPORTSTAR-A-34-20-00-E-0396G-00103-A-001-01.CGM
 Figure 1: Artificial horizon RCA 26AK

Fig.	Item	Units per assembly / Units of issue	NCAGE	Part Number NATO Stock Number	Nomenclature	*Usable on code assy •MV/Effect	I C Y
1A							
-	0	1	0396G	E7 34-01 01	Artificial horizon RCA 26AK installation		
	10	1	0396G	080120	• Artificial horizon RCA 26AK-1		
	11	1	0396G	068969	• Connector		
	13	1	0396G	739587	• Circuit breaker 2TC2-3		
	14	1	0396G	069110	• Switch		
	17	2	0396G	739772	• Ring cable eye		
	18	2	0396G	068636	• Connector Faston 4.8 (AWG22-16)		
-	20	AR	0396G	739681	• Electrical wire AE22		
-	21	AR	0396G	088086	• Shrink tube RNF-3000		
-	22	AR	0396G	088087	• Shrink tube RNF-3000		
-	25	10	0396G	060332	• Cable tie		
	27	3	0396G	023805	• Screw 6-32x0.75"		

This page has been intentionally left blank.

Directional gyro

Illustrated parts data

Table of Contents

	Page
Directional gyro - Illustrated parts data.....	1

Index of Tables

	Page
1 References.....	1

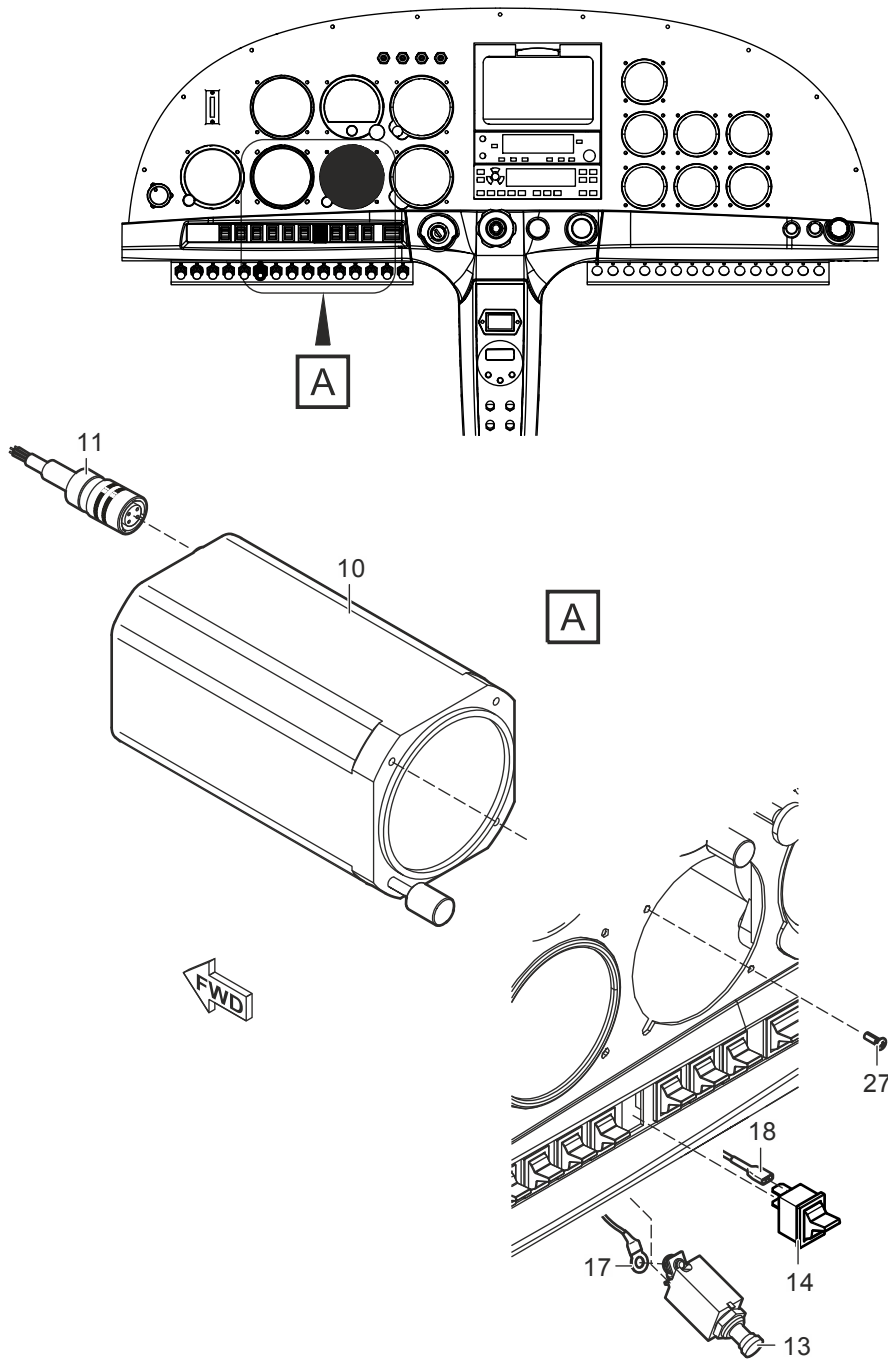
Index of Figures

	Page
1 Directional gyro.....	2

References

Table 1 References

Data module/Technical publication	Title
None	



ICN-SPORTSTAR-A-34-20-00-E-0396G-00137-A-001-01.CGM

Figure 1: Directional gyro

Fig.	Item	Units per assembly / Units of issue	NCAGE	Part Number NATO Stock Number	Nomenclature	*Usable on code assy •MV/Effect	I C Y
1A							
-	0	1	0396G	E7 38-01 01	Directional gyro		
	10	1	0396G	080170	• Directional gyro		
	11	1	0396G	068969	• Connector		
	13	1	0396G	739587	• Circuit breaker 2TC2-3		
	14	1	0396G	069110	• Switch		
	17	2	0396G	739772	• Ring cable eye		
	18	2	0396G	068636	• Connector Faston 4.8 (AWG22-16)		
-	20	AR	0396G	739681	• Electrical wire AE22		
-	21	AR	0396G	088086	• Shrink tube RNF-3000		
-	22	AR	0396G	088087	• Shrink tube RNF-3000		
-	25	10	0396G	060332	• Cable tie		
	27	3	0396G	023804	• Screw 6-32x0.38"		

This page has been intentionally left blank.

Turn and bank indicator

Illustrated parts data

Table of Contents

Page

Turn and bank indicator - Illustrated parts data.....	1
---	---

Index of Tables

Page

1 References.....	1
------------------------	---

Index of Figures

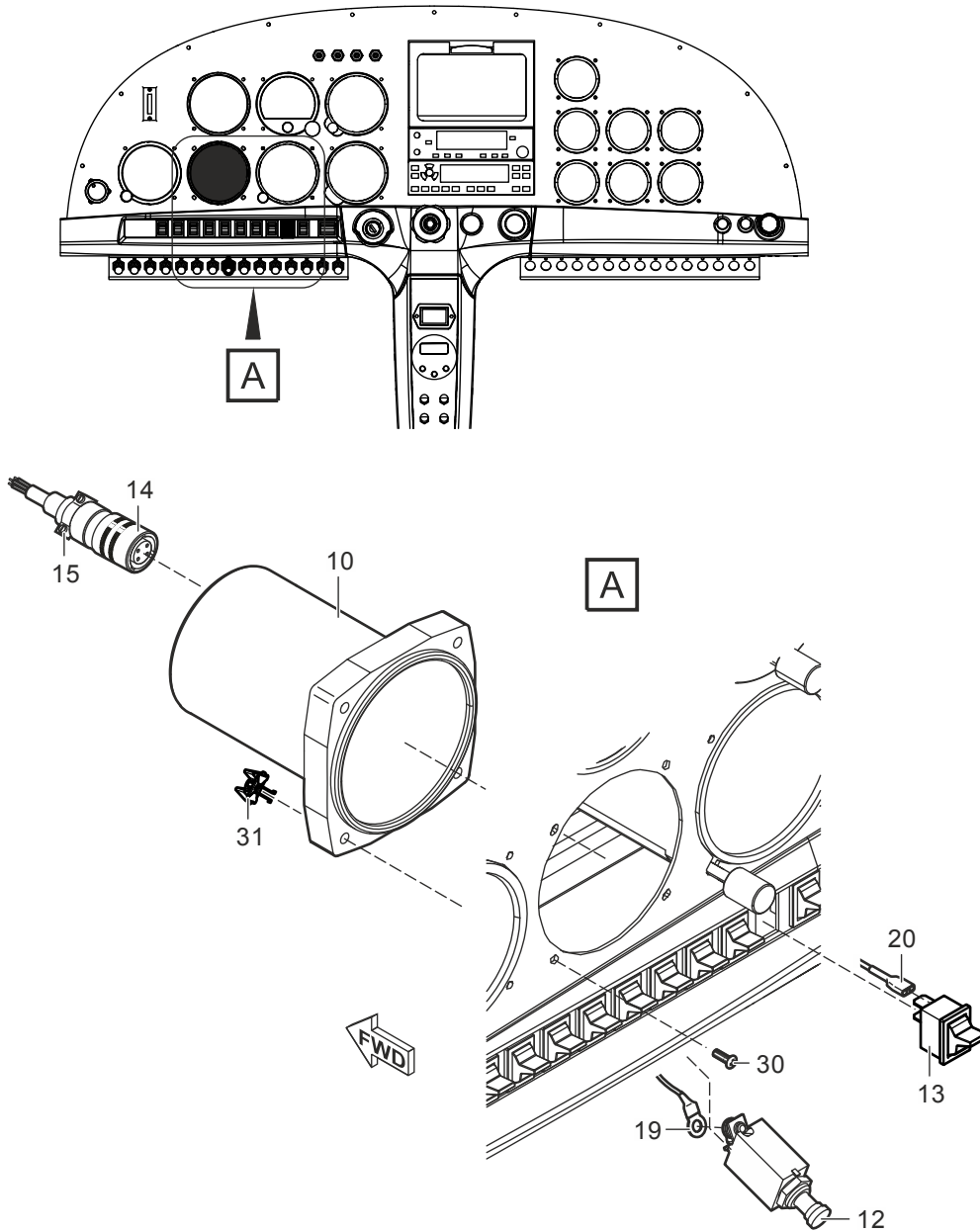
Page

1 Turn and bank indicator.....	2
-------------------------------------	---

References

Table 1 References

Data module/Technical publication	Title
None	



ICN-SPORTSTAR-A-34-20-00-E-0396G-00138-A-001-01.CGM

Figure 1: Turn and bank indicator

Fig.	Item	Units per assembly / Units of issue	NCAGE	Part Number NATO Stock Number	Nomenclature	*Usable on code assy •MV/Effect	I C Y
1A	-	0	1	0396G	E7 30-01 01	Turn and bank indicator	

Applicability: All

SPORTSTAR-A-34-20-04-01A-941A-D

Fig.	Item	Units per assembly / Units of issue	NCAGE	Part Number NATO Stock Number	Nomenclature	*Usable on code assy •MV/Effect	I C Y
1A							
	10	1	0396G	080132	• Turn and bank indicator BZW 4B		
	12	1	0396G	739586	• Circuit breaker 2TC2-2		
	13	1	0396G	069110	• Switch		
	14	1	0396G	068658	• Connector		
	15	1	0396G	079200	• Terminal		
	19	2	0396G	739772	• Ring cable eye		
	20	2	0396G	068636	• Connector Faston 4.8 (AWG22-16)		
-	23	AR	0396G	739681	• Electrical wire AE22		
-	24	AR	0396G	088086	• Shrink tube RNF-3000		
-	25	AR	0396G	088087	• Shrink tube RNF-3000		
-	28	10	0396G	060332	• Cable tie		
	30	4	0396G	023803	• Screw 6-32x1"		
	31	4	0396G	739971	• Nut		

This page has been intentionally left blank.

Turn and bank indicator RCA82

Illustrated parts data

Table of Contents	Page
Turn and bank indicator RCA82 - Illustrated parts data.....	1

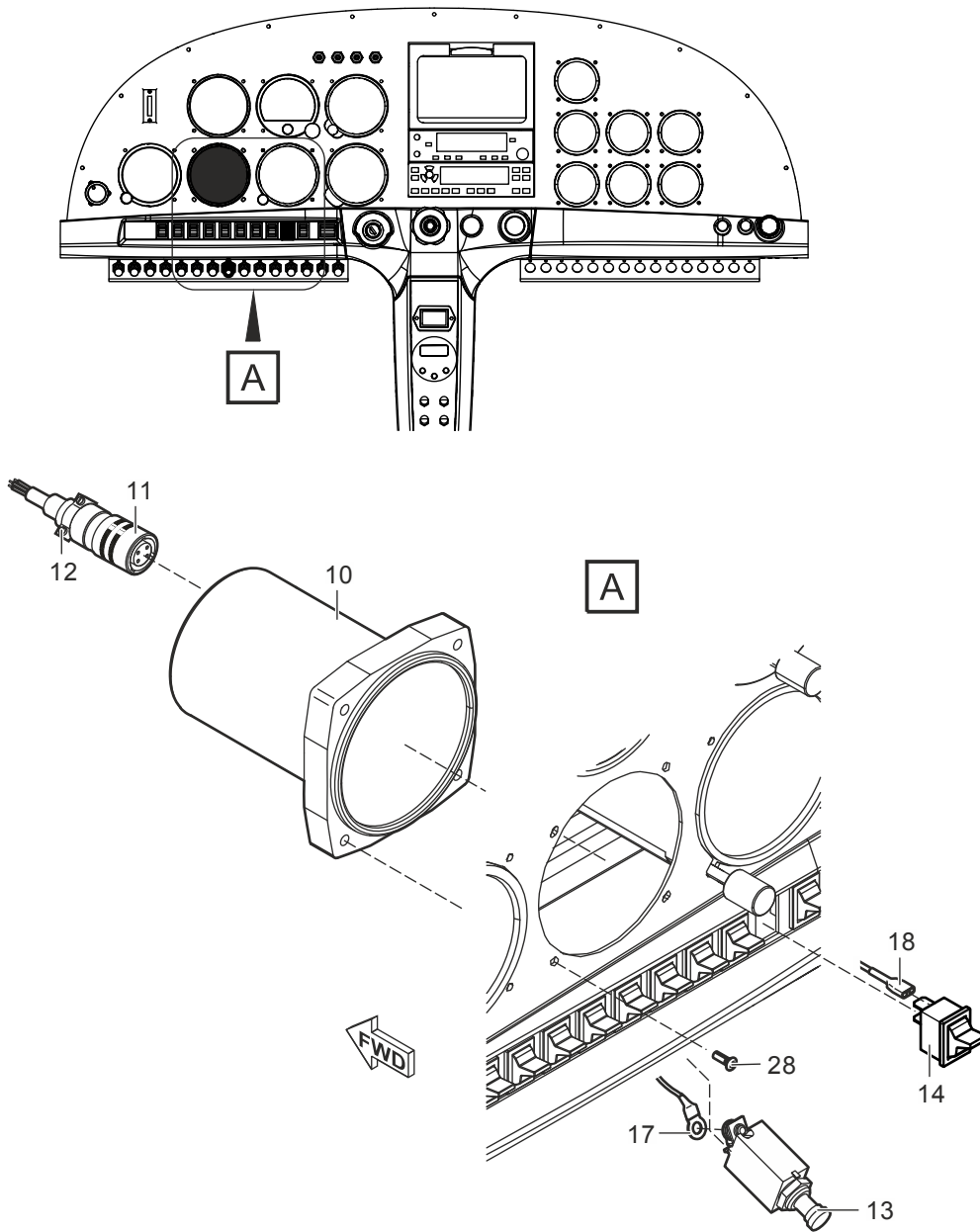
Index of Tables	Page
1 References.....	1

Index of Figures	Page
1 Turn and bank indicator RCA82.....	2

References

Table 1 References

Data module/Technical publication	Title
None	



ICN-SPORTSTAR-A-34-20-00-E-0396G-00156-A-001-01.CGM

Figure 1: Turn and bank indicator RCA82

Fig.	Item	Units per assembly / Units of issue	NCAGE	Part Number NATO Stock Number	Nomenclature	*Usable on code assy •MV/Effect	I C Y
1A	-	0 1	0396G	E7 31-01 01	Turn and bank indicator RCA82		

Applicability: All

SPORTSTAR-A-34-20-05-01A-941A-D



Fig.	Item	Units per assembly / Units of issue	NCAGE	Part Number NATO Stock Number	Nomenclature	*Usable on code assy •MV/Effect	I C Y
1A							
	10	1	0396G	080133	• Turn and bank indicator RCA82		
	11	1	0396G	068658	• Connector		
	12	1	0396G	079200	• Terminal		
	13	1	0396G	739586	• Circuit breaker 2TC2-2		
	14	1	0396G	069110	• Switch		
	17	2	0396G	739772	• Ring cable eye		
	18	2	0396G	068636	• Connector Faston 4.8 (AWG22-16)		
-	20	AR	0396G	739681	• Electrical wire AE22		
-	21	AR	0396G	088086	• Shrink tube RNF-3000		
-	22	AR	0396G	088087	• Shrink tube RNF-3000		
-	25	10	0396G	060332	• Cable tie		
	28	4	0396G	023804	• Screw 6-32x0.38"		

This page has been intentionally left blank.

Instrument panel installation

Illustrated parts data

Table of Contents	Page
Instrument panel installation - Illustrated parts data.....	1

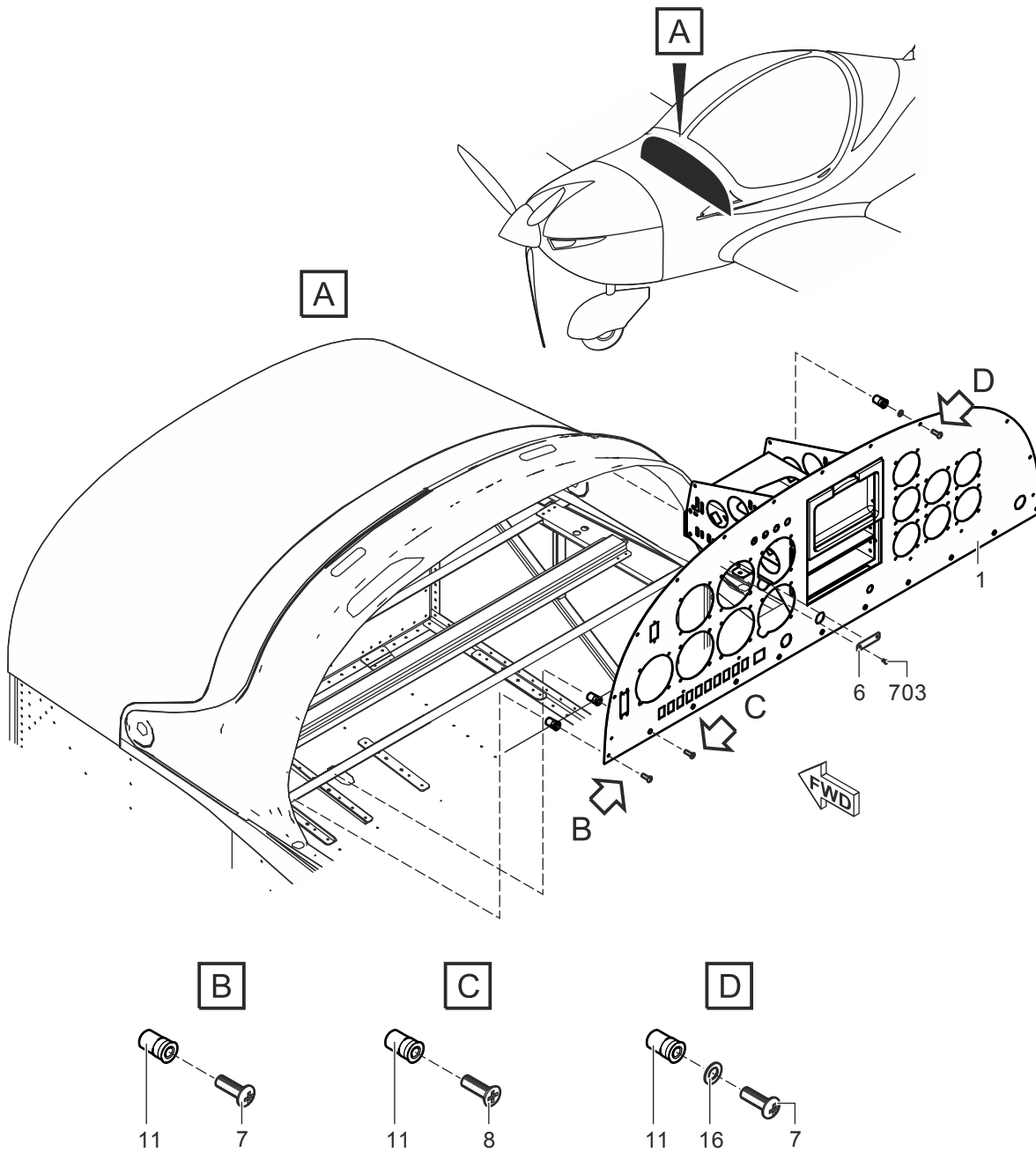
Index of Tables	Page
1 References.....	1

Index of Figures	Page
1 Instrument panel.....	2

References

Table 1 References

Data module/Technical publication	Title
None	



ICN-SPORTSTAR-A-39-10-00-E-0396G-00049-A-001-01.CGM
 Figure 1: Instrument panel

Fig.	Item	Units per assembly / Units of issue	NCAGE	Part Number NATO Stock Number	Nomenclature	*Usable on code assy •MV/Effect	I C Y
1A							
-	0	1	0396G	S8 00-07 01	Instrument panel installation		
	1	1	0396G	S8 07-00 01	• Instrument panel - assembled		
	6	1	0396G	E8 09-11 01	• Placard		
	7	13	0396G	010994 (ISO 7045)	• Screw M4x12		
	8	9	0396G	010993 (ISO 7046-1)	• Screw M4x12		
	11	22	0396G	035410	• Anchor nut M4		
	16	13	0396G	038673	• Washer 6.4		
	703	2	0396G	047556 (AVDEL 1691-5307)	• Rivet 3.0x6.7		

This page has been intentionally left blank.

Circuit breaker panel - additional

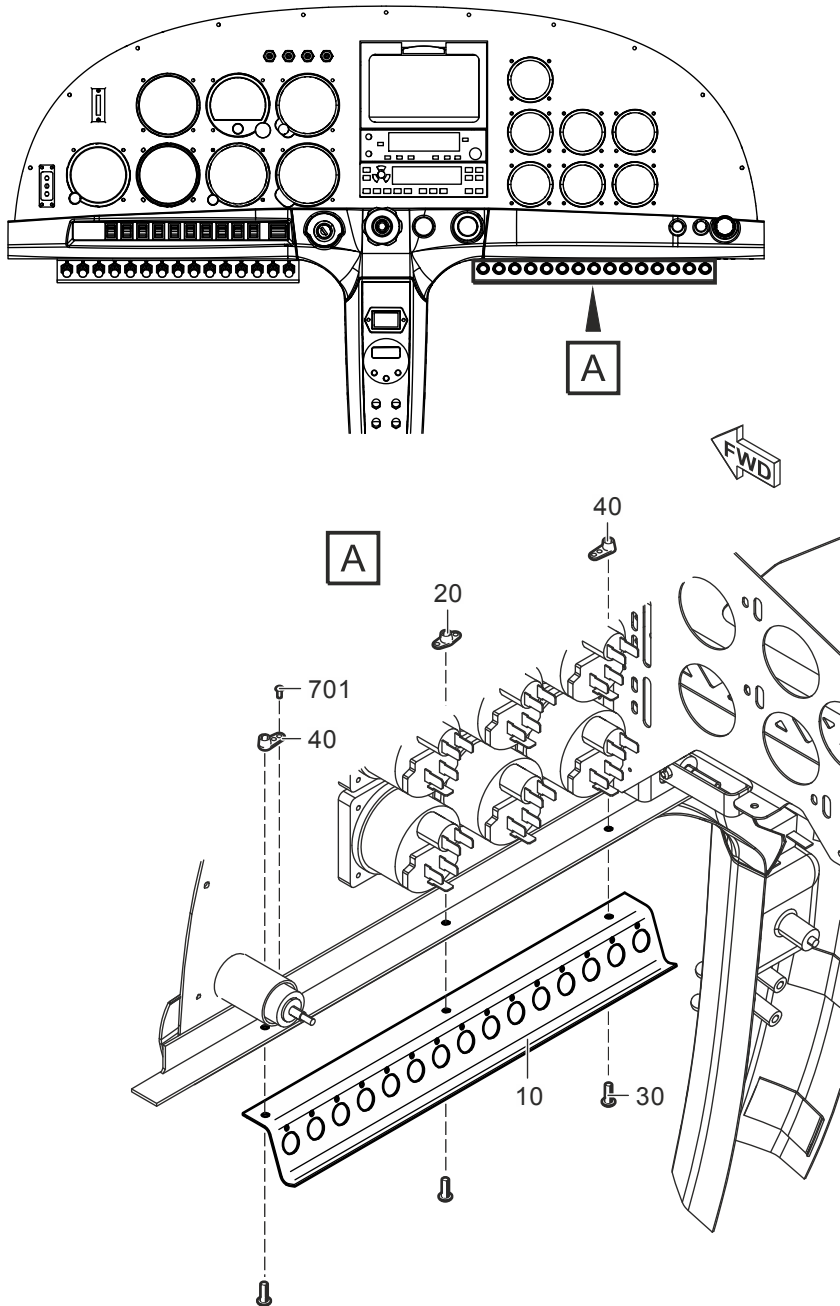
Illustrated parts data

Table of Contents	Page
Circuit breaker panel - additional - Illustrated parts data.....	1
Index of Tables	Page
1 References.....	1
Index of Figures	Page
1 Circuit breaker panel - additional.....	2

References

Table 1 References

Data module/Technical publication	Title
None	



ICN-SPORTSTAR-A-39-10-00-E-0396G-00050-A-001-01.CGM

Figure 1: Circuit breaker panel - additional

Fig.	Item	Units per assembly / Units of issue	NCAGE	Part Number NATO Stock Number	Nomenclature	*Usable on code assy •MV/Effect	I C Y
1A							
-	0	1	0396G	S8 00-22 01	Circuit breaker panel - additional		
	10	1	0396G	S8 03-07 21	• Circuit breaker panel		
	20	1	0396G	033651	• Nut M4		
	30	3	0396G	010994 (ISO 7045)	• Screw M4x12		
	40	2	0396G	033601	• Nut M4		
-	701	6	0396G	047590 (AVDEL 1604-0412)	• Rivet 3.2x9.5		

This page has been intentionally left blank.

Circuit breaker panel - additional

Illustrated parts data

Table of Contents	Page
Circuit breaker panel - additional - Illustrated parts data.....	1

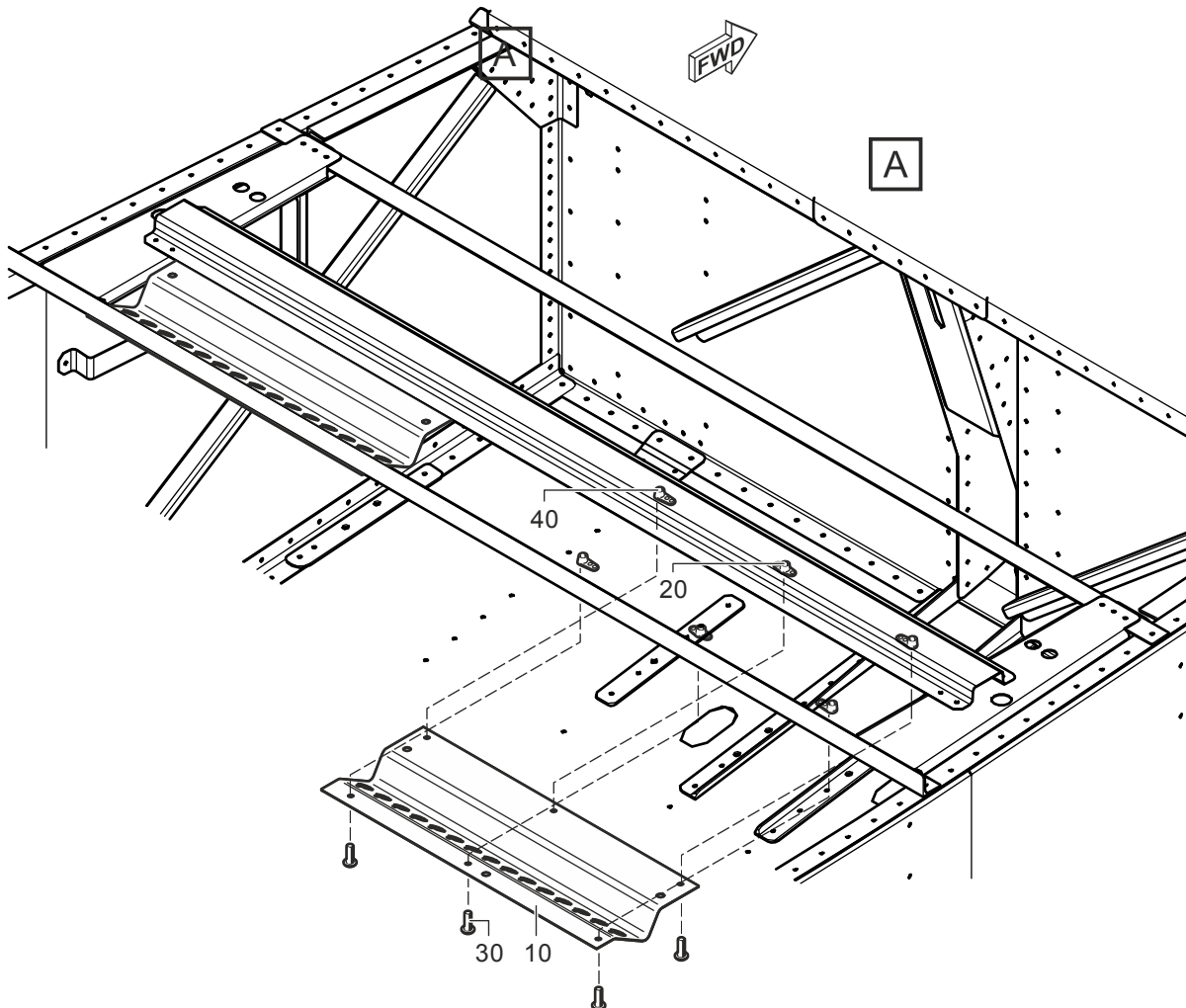
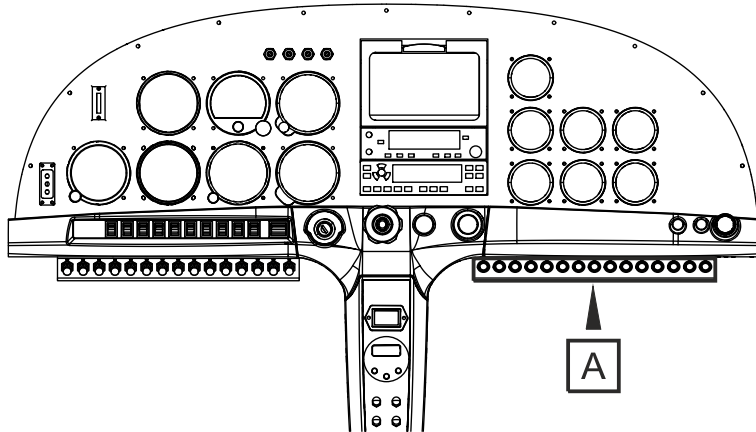
Index of Tables	Page
1 References.....	1

Index of Figures	Page
1 Circuit breaker panel - additional.....	2

References

Table 1 References

Data module/Technical publication	Title
None	



ICN-SPORTSTAR-A-39-10-00-E-0396G-00095-A-001-01.CGM

Figure 1: Circuit breaker panel - additional

Fig.	Item	Units per assembly / Units of issue	NCAGE	Part Number NATO Stock Number	Nomenclature	*Usable on code assy •MV/Effect	I C Y
1B							
-	0	1	0396G	E8 00-06 01	Circuit breaker panel - additional		
	10	1	0396G	E8 03-07 21	• Circuit breaker panel		
	20	2	0396G	033651	• Nut M4		
	30	6	0396G	010994 (ISO 7045)	• Screw M4x12		
	40	2	0396G	033601	• Nut M4		
-	701	12	0396G	047590 (AVDEL 1604-0412)	• Rivet 3.2x9.5		

This page has been intentionally left blank.

Control stick head

Illustrated parts data

Table of Contents

	Page
Control stick head - Illustrated parts data.....	1

Index of Tables

	Page
1 References.....	1

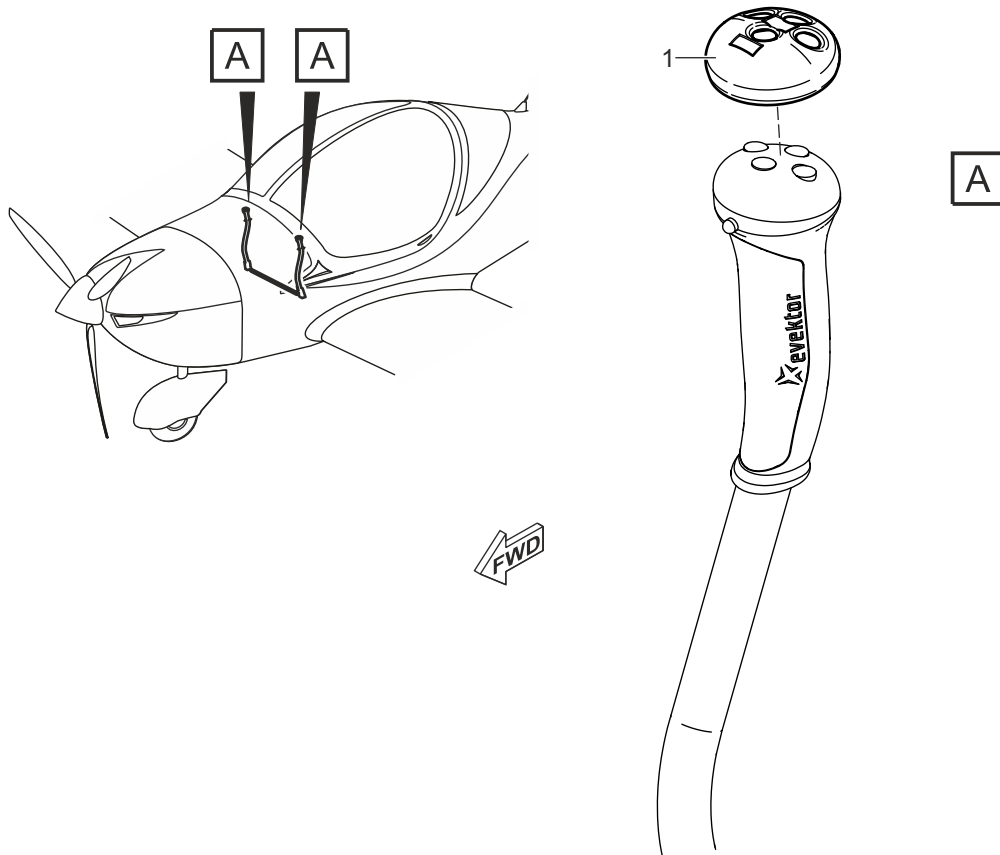
Index of Figures

	Page
1 Control stick head cover installation.....	2

References

Table 1 References

Data module/Technical publication	Title
None	



ICN-SPORTSTAR-A-39-10-00-E-0396G-00051-A-001-01.CGM

Figure 1: Control stick head cover installation

Fig.	Item	Units per assembly / Units of issue	NCAGE	Part Number NATO Stock Number	Nomenclature	*Usable on code assy •MV/Effect	I C Y
1A							
-	0	1	0396G	S8 00-17 01	Control stick head cover		
	1	2	0396G	S8 00-17 21	• Cover		
-	900	AR	0396G	096255	• Sealant Emfimastic PU 50 - black		

iPad holder

Illustrated parts data

Table of Contents

	Page
iPad holder - Illustrated parts data.....	1

Index of Tables

	Page
1 References.....	1

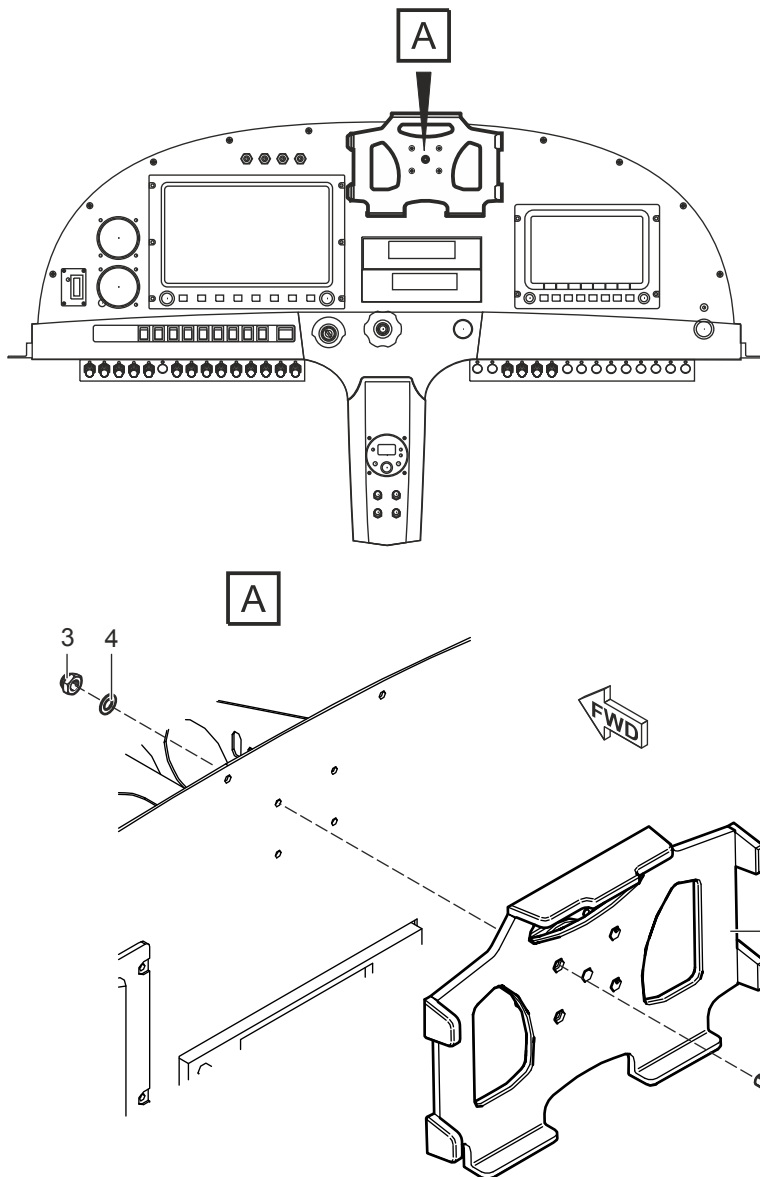
Index of Figures

	Page
1 iPad holder.....	2

References

Table 1 References

Data module/Technical publication	Title
None	



ICN-SPORTSTAR-A-39-10-00-E-0396G-00096-A-001-01.CGM
 Figure 1: iPad holder

Fig.	Item	Units per assembly / Units of issue	NCAGE	Part Number NATO Stock Number	Nomenclature	*Usable on code assy •MV/Effect	I C Y
1A							
-	0	1	0396G	S7 66-99 99	iPad holder		
	1	1	0396G	750759	• iPad mini holder		

Applicability: All

SPORTSTAR-A-39-10-04-01A-941A-D

Fig.	Item	Units per assembly / Units of issue	NCAGE	Part Number NATO Stock Number	Nomenclature	*Usable on code assy •MV/Effect	I C Y
1A							
	2	4	0396G	010994 (ISO 7045)	• Screw M4x12		
	3	4	0396G	033850 (DIN 980 V)	• Nut M4		
	4	4	0396G	038204 (ISO 7089)	• Washer 4.3		

This page has been intentionally left blank.

Cockpit canopy

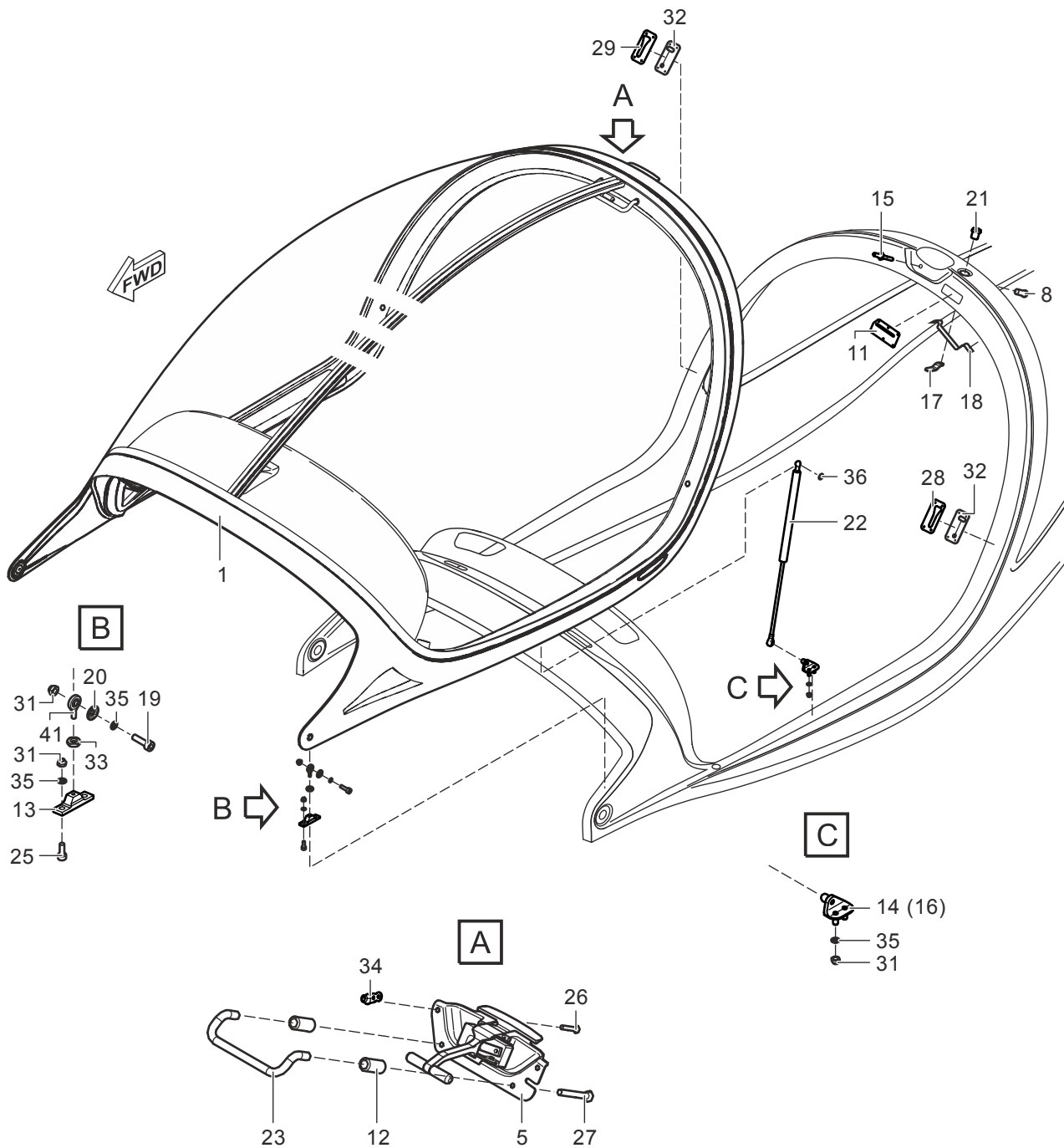
Illustrated parts data

Table of Contents	Page
Cockpit canopy - Illustrated parts data.....	1
Index of Tables	Page
1 References.....	1
Index of Figures	Page
1 Cockpit canopy.....	2

References

Table 1 References

Data module/Technical publication	Title
None	



ICN-SPORTSTAR-A-52-10-00-E-0396G-00019-A-001-01.CGM
 Figure 1: Cockpit canopy

Fig.	Item	Units per assembly / Units of issue	NCAGE	Part Number NATO Stock Number	Nomenclature	*Usable on code assy •MV/Effect	I C Y
1A							
-	0	1	0396G	S1 55-66 01	Cockpit canopy installation		
	1	1	0396G	S1 65-68 01	• Cockpit canopy - tinted		
	5	1	0396G	S1 65-74 01	• Cockpit canopy lock		
	8	1	0396G	S1 55-75 21	• Nut		
	11	1	0396G	S1 65-04 21	• Pad		
	12	2	0396G	S1 74-06 21	• Spacer		
	13	2	0396G	S1 65-01 21	• Hinge base		
	14	1	0396G	S1 65-11 01	• Left strut hinge		
	15	1	0396G	S1 65-03 21	• Lock pin		
	16	1	0396G	S1 65-11 02	• Right strut hinge		
	17	1	0396G	S1 65-07 21	• Lock lever		
	18	2	0396G	761559	• Hanger		
	19	2	0396G	E5 00-30 21	• Bolt		
	20	2	0396G	S1 65-08 21	• Spacer		
	21	1	0396G	097590	• Lamella lock FAB 1370/1		
	22	2	0396G	079962	• Gas strut		
	23	1	0396G	078676	• Canopy handle		
	25	4	0396G	011820 (ISO 4762)	• Screw M6x20		
	26	3	0396G	011870 (ISO 10642)	• Screw M4x16		
	27	2	0396G	009823 (ISO 7046-1)	• Screw M5x30		
	28	1	0396G	S1 57-07 21	• Guiding pin sheet - left		

Fig.	Item	Units per assembly / Units of issue	NCAGE	Part Number NATO Stock Number	Nomenclature	*Usable on code assy •MV/Effect	I C Y
1A							
	29	1	0396G	S1 57-07 22	• Guiding pin sheet - right		
	31	10	0396G	033860 (DIN 980 V)	• Nut M6		
	32	2	0396G	S1 57-08 21	• Pad		
	33	2	0396G	031901 (ISO 4035)	• Nut M6		
	34	3	0396G	033601	• Nut M4		
	35	12	0396G	038206 (ISO 7089)	• Washer 6.4		
	36	2	0396G	038208 (ISO 7089)	• Washer 8.4		
	41	2	0396G	048155	• Adjustable rod eye with swivel		
-	701	20	0396G	047590 (AVDEL 1604-0412)	• Rivet 3.2x9.5		
-	702	4	0396G	047560 (AVDEL 1691-0410)	• Rivet 3.2x7.9		

Cockpit canopy lock

Illustrated parts data

Table of Contents

	Page
Cockpit canopy lock - Illustrated parts data.....	1

Index of Tables

	Page
1 References.....	1

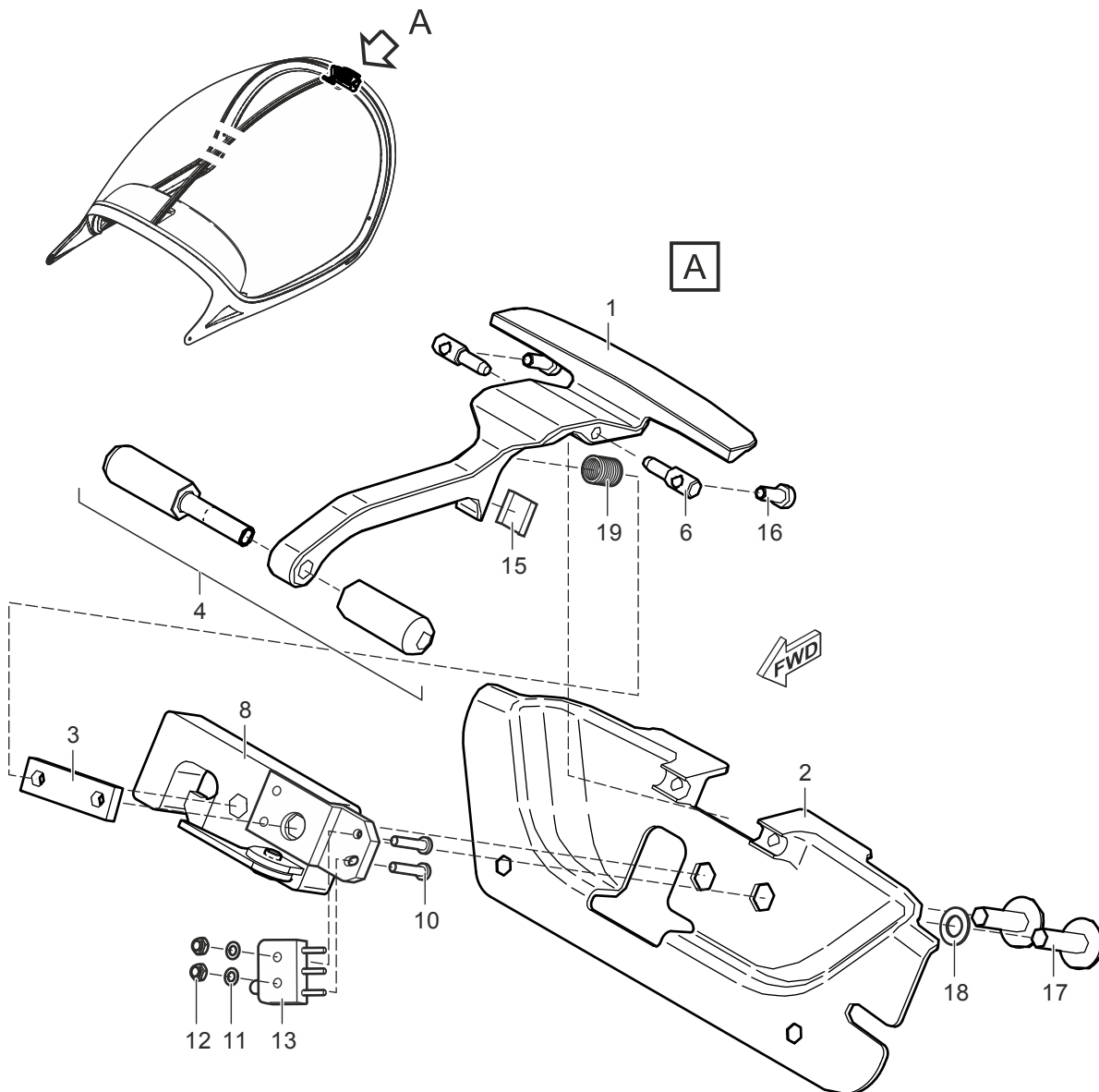
Index of Figures

	Page
1 Cockpit canopy lock.....	2

References

Table 1 References

Data module/Technical publication	Title
None	



ICN-SPORTSTAR-A-52-10-00-E-0396G-00021-A-001-01.CGM

Figure 1: Cockpit canopy lock

Fig.	Item	Units per assembly / Units of issue	NCAGE	Part Number NATO Stock Number	Nomenclature	*Usable on code assy •MV/Effect	I C Y
1A							
-	0	1	0396G	S1 65-74 01	Cockpit canopy lock		
	1	1	0396G	S1 74-04 21	• Lock handle - outer		
	2	1	0396G	S1 74-05 21	• Lock body		

Applicability: All

SPORTSTAR-A-52-10-01-01A-941A-D

Fig.	Item	Units per assembly / Units of issue	NCAGE	Part Number NATO Stock Number	Nomenclature	*Usable on code assy •MV/Effect	I C Y
1A							
	3	1	0396G	S1 74-01 21	• Nut		
	4	1	0396G	S1 74-16 01	• Lock handle - inner		
	6	2	0396G	S1 74-03 21	• Pin		
	8	1	0396G	S1 74-81 01	• Lock		
	10	2	0396G	003072 (ISO 1207)	• • Screw M2x12		
	11	4	0396G	038242 (ISO 7089)	• • Washer 2.2		
	12	2	0396G	035403 (DIN 985)	• • Nut M2		
	13	1	0396G	069130	• • Microswitch		
	15	1	0396G	S1 74-09 21	• Reinforcement		
	16	2	0396G	004980 (ISO 1207)	• Screw M4x12		
	17	2	0396G	023861	• Screw with flat head		
	18	2	0396G	038694	• Washer 6.5		
	19	1	0396G	S1 74-10 21	• Spring		
-	701	AR	0396G	096221	• Sealant Emfimastic PU 50 - grey		
-	702	AR	0396G	096220	• Adhesive Loctite 243		

This page has been intentionally left blank.

Cockpit canopy sealing

Illustrated parts data

Table of Contents	Page
Cockpit canopy sealing - Illustrated parts data.....	1

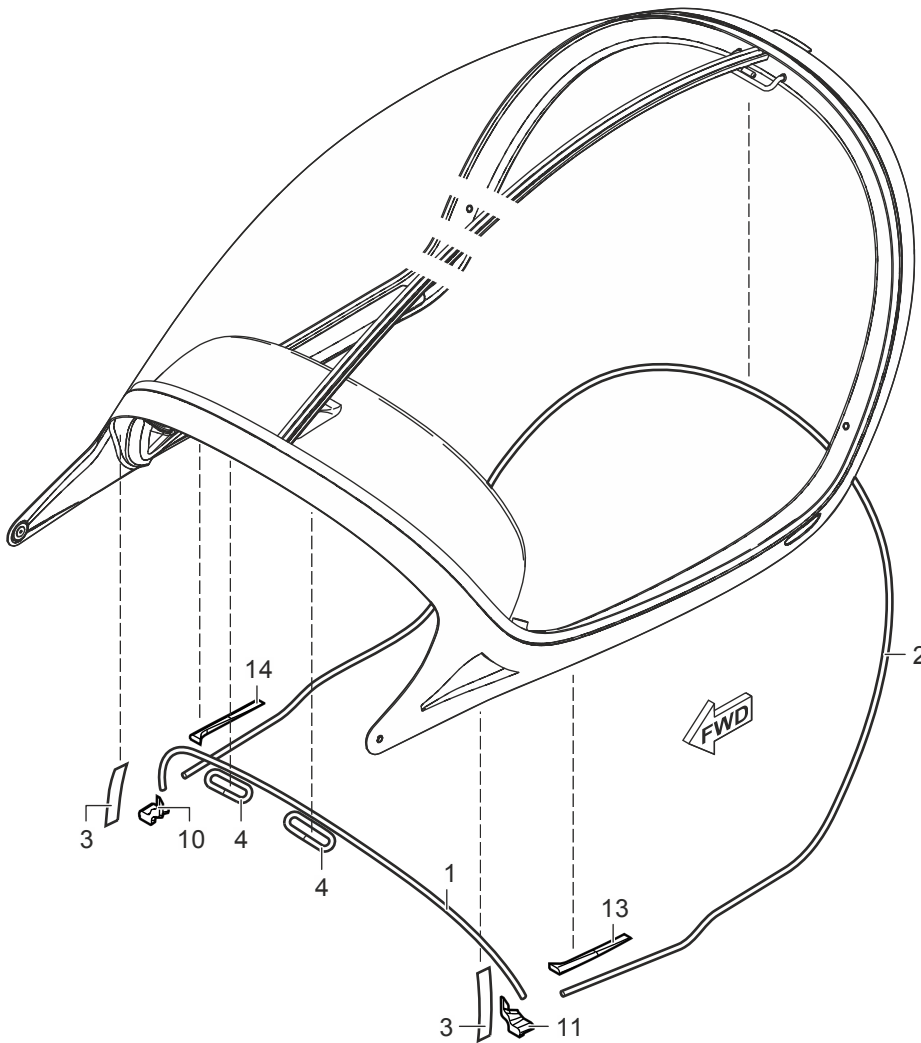
Index of Tables	Page
1 References.....	1

Index of Figures	Page
1 Cockpit canopy sealing.....	2

References

Table 1 References

Data module/Technical publication	Title
None	



ICN-SPORTSTAR-A-52-10-00-E-0396G-00020-A-001-01.CGM

Figure 1: Cockpit canopy sealing

Fig.	Item	Units per assembly / Units of issue	NCAGE	Part Number NATO Stock Number	Nomenclature	*Usable on code assy •MV/Effect	I C Y
1A	-	0	0396G	S0 00-31 01	Cockpit canopy sealing		
	1	AR	0396G	055521	• Silicone rubber sealing		
	2	AR	0396G	055522	• Silicone rubber sealing		
	3	AR	0396G	086938	• Tape		
	4	2	0396G	S1 84-06 21	• Sealing strip		

Applicability: All

SPORTSTAR-A-52-10-02-01A-941A-D

Fig.	Item	Units per assembly / Units of issue	NCAGE	Part Number NATO Stock Number	Nomenclature	*Usable on code assy •MV/Effect	I C Y
1A							
	10	1	0396G	S1 84-03 21	• Padding - left		
	11	1	0396G	S1 84-03 22	• Padding - right		
	13	1	0396G	S1 84-04 21	• Sealing piece - left		
	14	1	0396G	S1 84-04 22	• Sealing piece - right		
-	100	AR	0396G	096282	• Adhesive Cyberbond CB 2077		
-	101	AR	0396G	096283	• Activator Cyberbond CB 9056		
-	102	1	0396G	096285	• Dosing tip Cyberbond DTs		
-	103	AR	0396G	096284	• Cleaner Cyberbond CB 9999		

This page has been intentionally left blank.

Cockpit canopy sealing

Illustrated parts data

Table of Contents	Page
Cockpit canopy sealing - Illustrated parts data.....	1

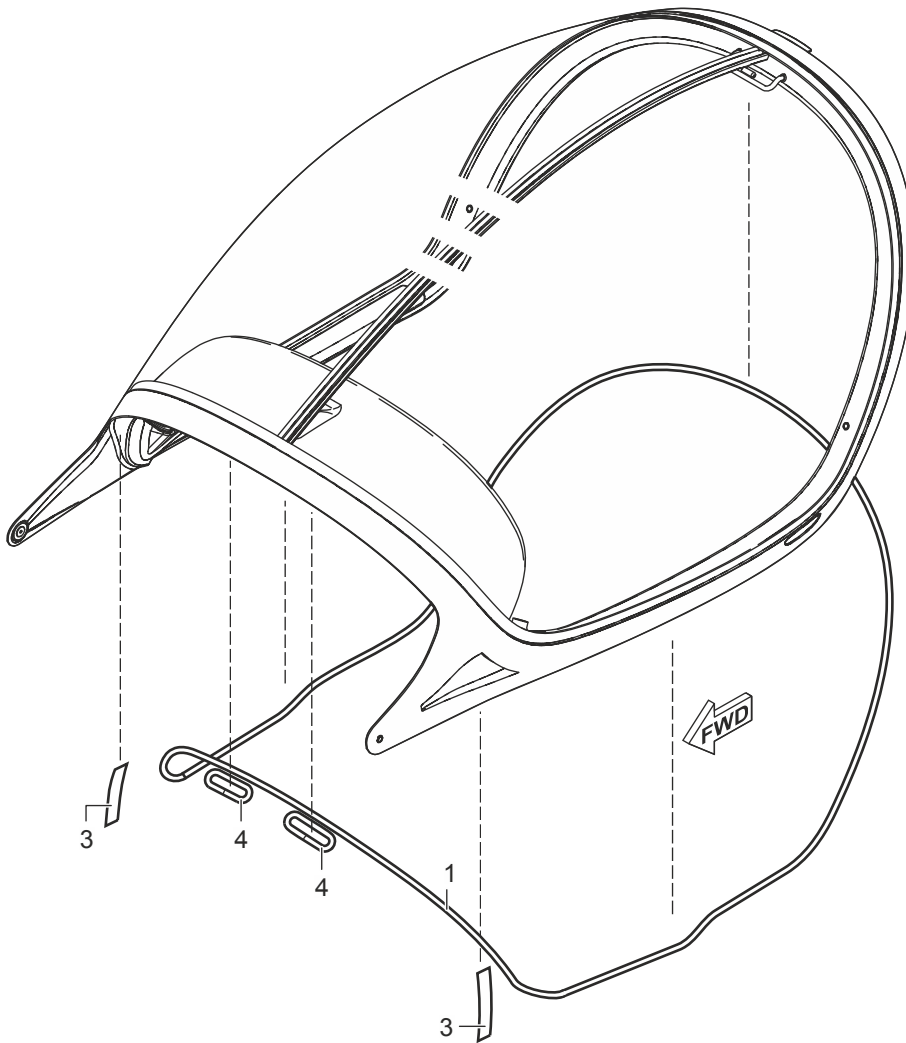
Index of Tables	Page
1 References.....	1

Index of Figures	Page
1 Cockpit canopy sealing.....	2

References

Table 1 References

Data module/Technical publication	Title
None	



ICN-SPORTSTAR-A-52-10-00-E-0396G-00230-A-000-01.CGM

Figure 1: Cockpit canopy sealing

Fig.	Item	Units per assembly / Units of issue	NCAGE	Part Number NATO Stock Number	Nomenclature	*Usable on code assy •MV/Effect	I C Y
1B	-	0	0396G	S0 00-31 01	Cockpit canopy sealing		
	1	AR	0396G	055521	• Silicone rubber sealing		
	3	AR	0396G	086938	• Tape		
	4	2	0396G	S1 84-06 21	• Sealing strip		

Applicability: All

SPORTSTAR-A-52-10-02-01B-941A-D



Fig.	Item	Units per assembly / Units of issue	NCAGE	Part Number NATO Stock Number	Nomenclature	*Usable on code assy •MV/Effect	I C Y
1B							
-	100	AR	0396G	096282	• Adhesive Cyberbond CB 2077		
-	101	AR	0396G	096283	• Activator Cyberbond CB 9056		
-	102	1	0396G	096285	• Dosing tip Cyberbond DTs		
-	103	AR	0396G	096284	• Cleaner Cyberbond CB 9999		

This page has been intentionally left blank.

Side venting window

Illustrated parts data

Table of Contents

	Page
Side venting window - Illustrated parts data.....	1

Index of Tables

	Page
1 References.....	1

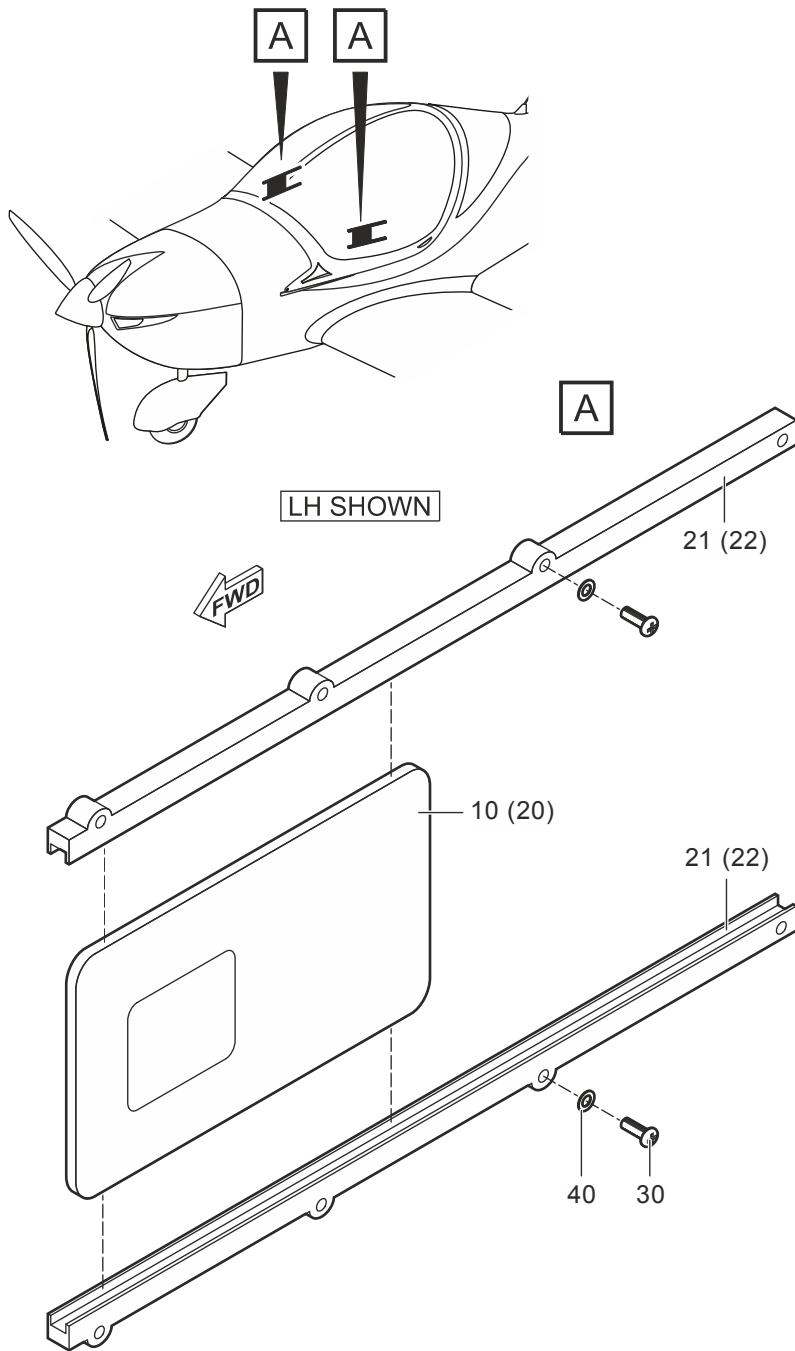
Index of Figures

	Page
1 Side venting window.....	2

References

Table 1 References

Data module/Technical publication	Title
None	



ICN-SPORTSTAR-A-52-10-00-E-0396G-00022-A-001-01.CGM
 Figure 1: Side venting window

Fig.	Item	Units per assembly / Units of issue	NCAGE	Part Number NATO Stock Number	Nomenclature	*Usable on code assy •MV/Effect	I C Y
1A							
-	0	1	0396G	E1 65-00 01	Side venting window		
	10	1	0396G	701447	• Venting window with flap - left		
	20	1	0396G	701448	• Venting window with flap - right		
	21	1	0396G	701480	• Set of rails - left		
	22	1	0396G	701481	• Set of rails - right		
	30	16	0396G	004993	• Screw M3x10		
	40	16	0396G	038237 (ISO 7089)	• Washer 3.7		

This page has been intentionally left blank.

Round venting window

Illustrated parts data

Table of Contents

	Page
Round venting window - Illustrated parts data.....	1

Index of Tables

	Page
1 References.....	1

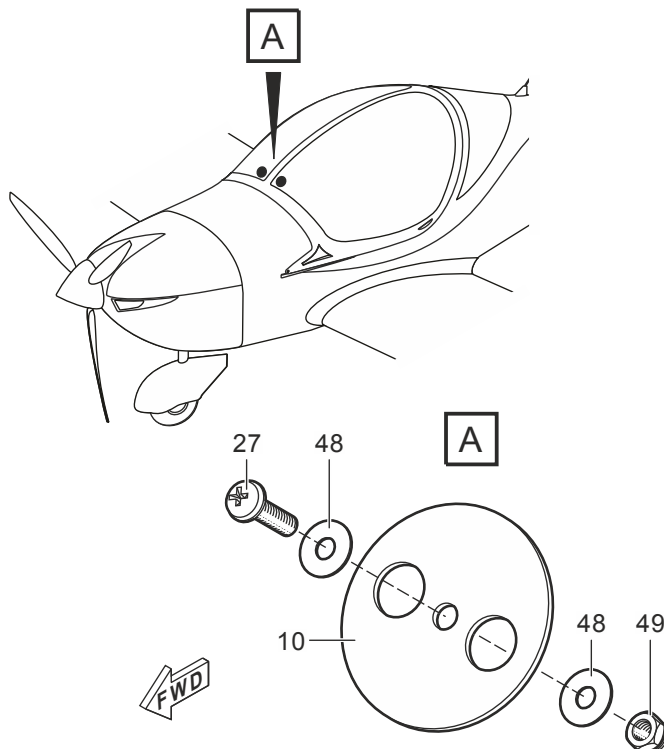
Index of Figures

	Page
1 Round venting window.....	1

References

Table 1 References

Data module/Technical publication	Title
None	



ICN-SPORTSTAR-A-52-10-00-E-0396G-00023-A-001-01.CGM

Figure 1: Round venting window

Fig.	Item	Units per assembly / Units of issue	NCAGE	Part Number NATO Stock Number	Nomenclature	*Usable on code assy •MV/Effect	I C Y
1A							
-	0	1	0396G	S1 57-10 01	Round venting window		
	10	2	0396G	761532	• Venting window		
	27	2	0396G	004986	• Screw M4x16		
	48	4	0396G	038213 (ISO 7093)	• Washer 4.3		
	49	2	0396G	033850 (DIN 980 V)	• Nut M4		
-	500	AR	0396G	701498	• Polishing compound for acrylic surfaces		

Sunshade

Illustrated parts data

Table of Contents

	Page
Sunshade - Illustrated parts data.....	1

Index of Tables

	Page
1 References.....	1

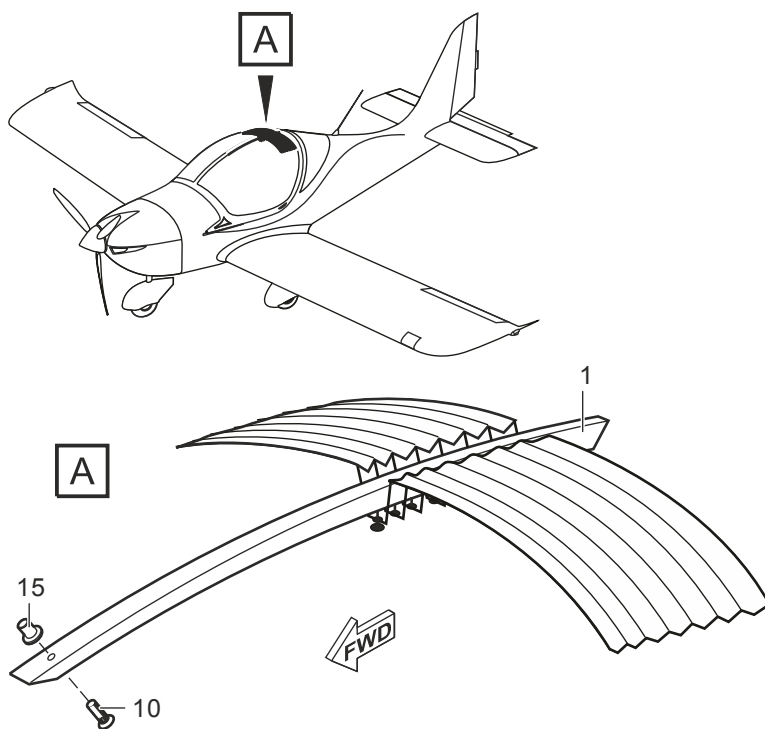
Index of Figures

	Page
1 Sunshade installation.....	1

References

Table 1 References

Data module/Technical publication	Title
None	



ICN-SPORTSTAR-A-52-10-00-E-0396G-00039-A-001-01.CGM
 Figure 1: Sunshade installation

Fig.	Item	Units per assembly / Units of issue	NCAGE	Part Number NATO Stock Number	Nomenclature	*Usable on code assy •MV/Effect	I C Y
1A							
-	0	1	0396G	S9 15-00 01	Cockpit sunshade		
	1	1	0396G	087102 (KOGER 47201)	• Koger sunshade		
	10	5	0396G	009813 (ISO 7046-1)	• Screw M3x12		
	15	5	0396G	035425	• Anchor nut M3		

Glareshield

Illustrated parts data

Table of Contents

	Page
Glareshield - Illustrated parts data.....	1

Index of Tables

	Page
1 References.....	1

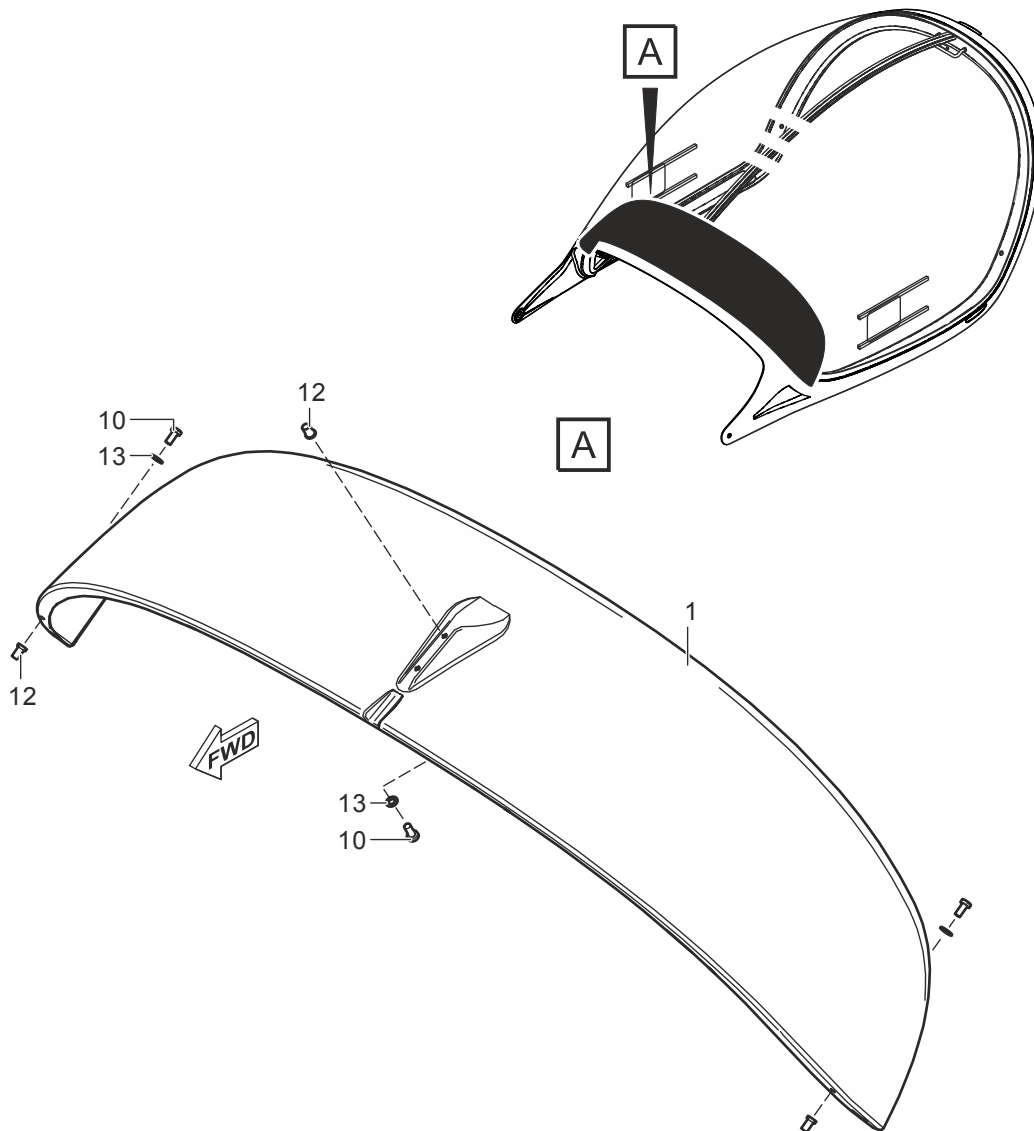
Index of Figures

	Page
1 Glareshield.....	2

References

Table 1 References

Data module/Technical publication	Title
None	



ICN-SPORTSTAR-A-52-10-00-E-0396G-00040-A-001-01.CGM
 Figure 1: Glareshield

Fig.	Item	Units per assembly / Units of issue	NCAGE	Part Number NATO Stock Number	Nomenclature	*Usable on code assy •MV/Effect	I C Y
1A							
-	0	1	0396G	S1 82-01 01	Glareshield installation		
	1	1	0396G	S1 66-71 01	• Glareshield		
	10	6	0396G	008551 (ISO 1580)	• Screw M3x16		

Applicability: All

SPORTSTAR-A-52-10-06-01A-941A-D

Fig.	Item	Units per assembly / Units of issue	NCAGE	Part Number NATO Stock Number	Nomenclature	*Usable on code assy •MV/Effect	I C Y
1A							
	12	6	0396G	035425	• Anchor nut M3		
	13	6	0396G	038203 (ISO 7089)	• Washer 3.2		

This page has been intentionally left blank.

Glareshield

Illustrated parts data

Table of Contents

	Page
Glareshield - Illustrated parts data.....	1

Index of Tables

	Page
1 References.....	1

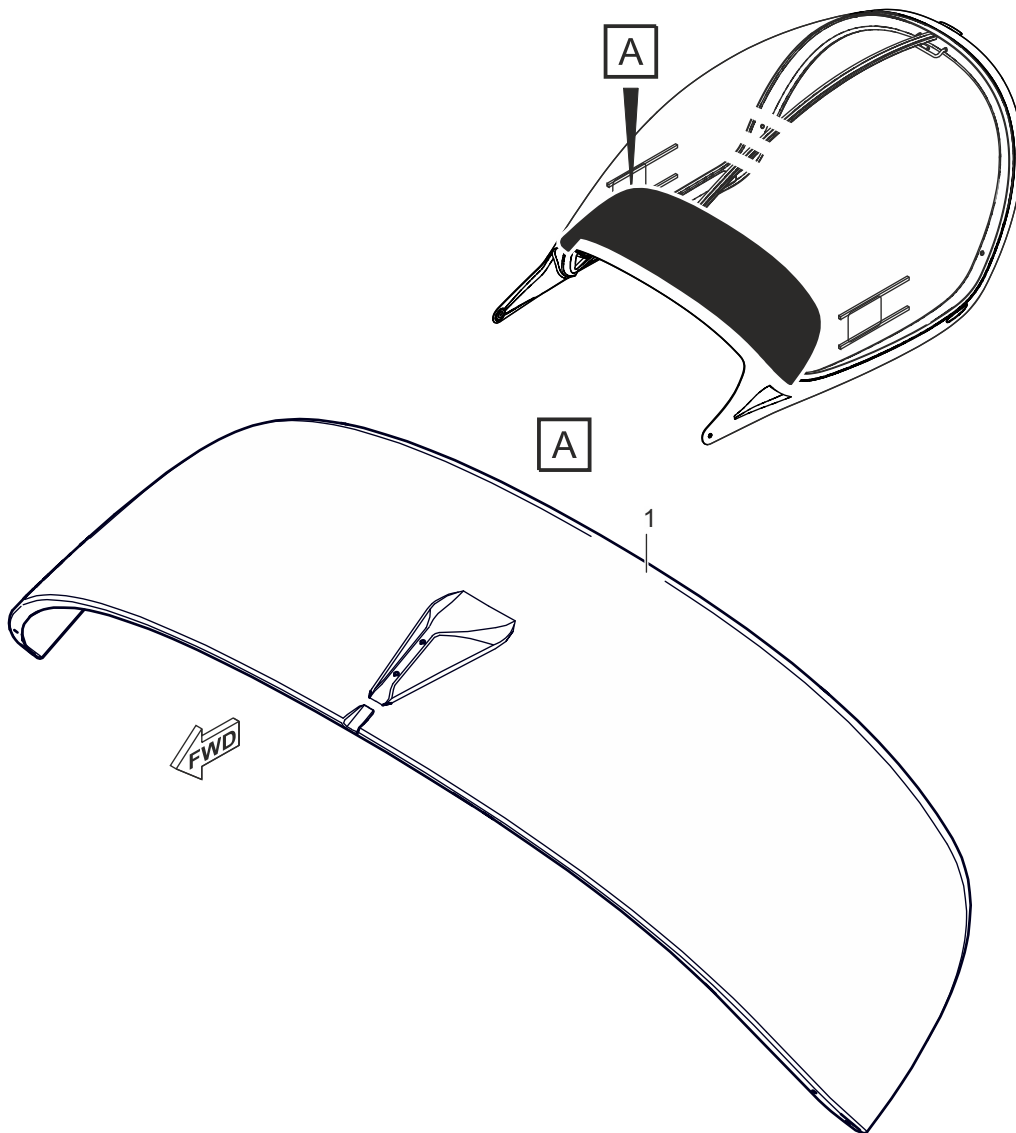
Index of Figures

	Page
1 Glareshield NVFR.....	2

References

Table 1 References

Data module/Technical publication	Title
None	



ICN-SPORTSTAR-A-52-10-00-E-0396G-00226-A-000-01.CGM

Figure 1: Glareshield NVFR

Fig.	Item	Units per assembly / Units of issue	NCAGE	Part Number NATO Stock Number	Nomenclature	*Usable on code assy •MV/Effect	I C Y
1B							
	1	1	0396G	S1 66-72 01	Glareshield NVFR		

Assembly hole sleeves and covers

Illustrated parts data

Table of Contents	Page
Assembly hole sleeves and covers - Illustrated parts data.....	1

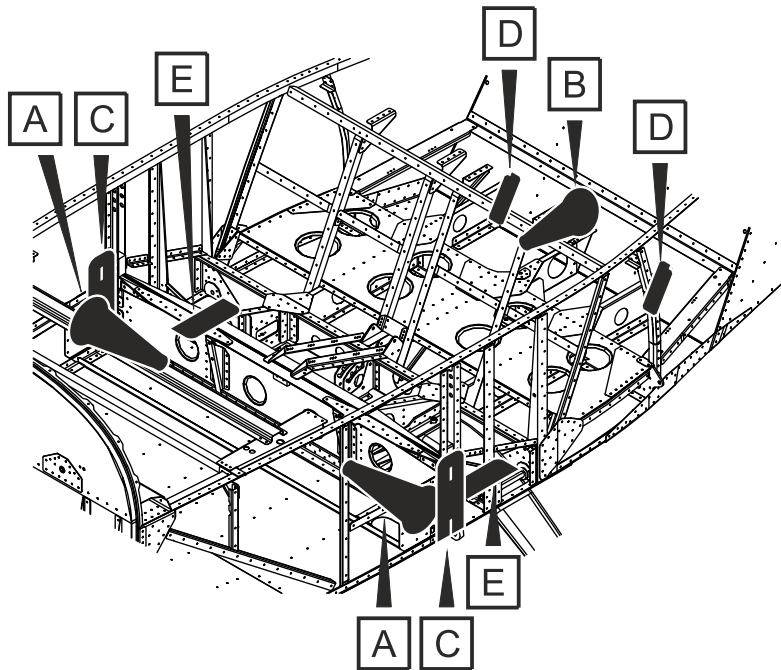
Index of Tables	Page
1 References.....	1

Index of Figures	Page
1 Assembly hole sleeves and covers.....	2

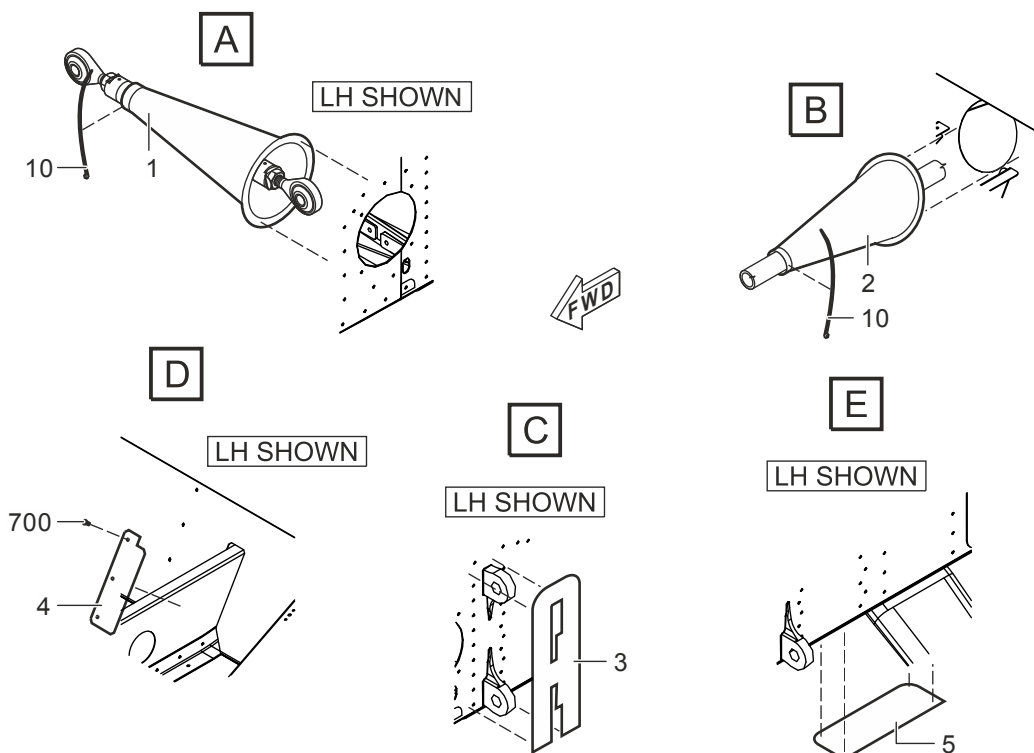
References

Table 1 References

Data module/Technical publication	Title
None	



The fuselage structure is not complete for clarity.



ICN-SPORTSTAR-A-53-10-00-E-0396G-00052-A-001-01.CGM

Figure 1: Assembly hole sleeves and covers

Fig.	Item	Units per assembly / Units of issue	NCAGE	Part Number NATO Stock Number	Nomenclature	*Usable on code assy •MV/Effect	I C Y
1A							
-	0	1	0396G	S0 00-25 01	Assembly hole sleeves and covers		
	1	2	0396G	E1 40-02 01	• Aileron rod sleeve		
	2	1	0396G	E1 40-03 01	• Elevator rod sleeve		
	3	2	0396G	S0 00-26 21	• Wing hinge covering		
	4	2	0396G	S0 00-27 21	• Covering		
	5	2	0396G	S0 00-28 21	• Landing gear hole covering		
	10	3	0396G	060333	• Cable tie		
	700	6	0396G	047556 (AVDEL 1691-5307)	• Rivet 3.0x6.7		

This page has been intentionally left blank.

Tail skid

Illustrated parts data

Table of Contents

	Page
Tail skid - Illustrated parts data.....	1

Index of Tables

	Page
1 References.....	1

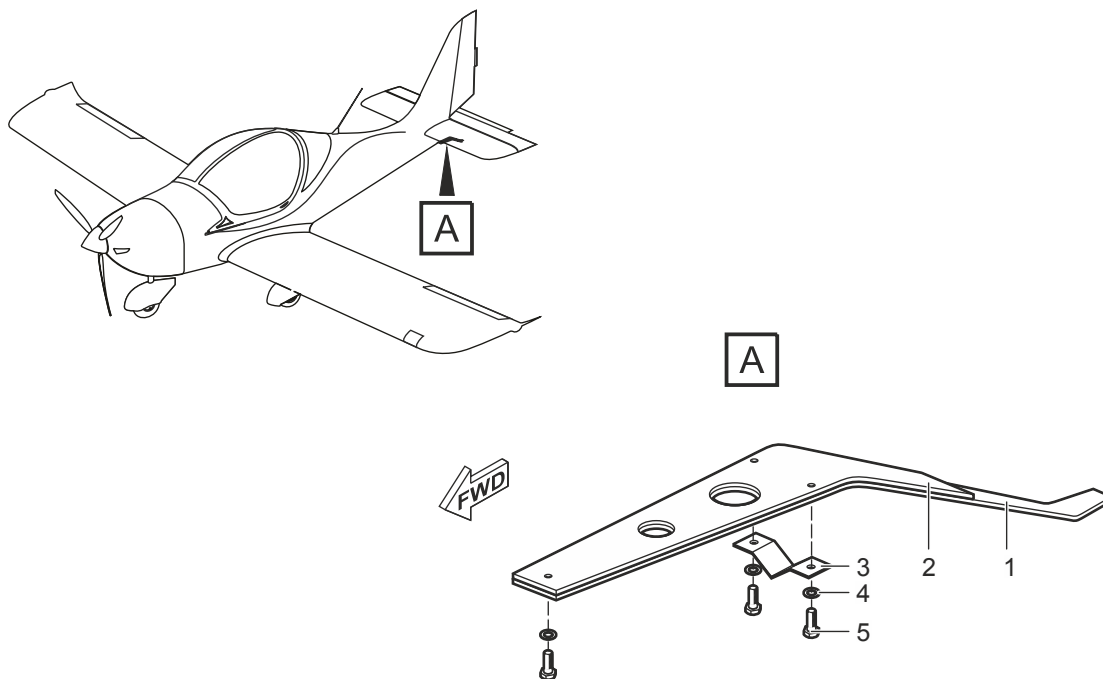
Index of Figures

	Page
1 Tail skid.....	1

References

Table 1 References

Data module/Technical publication	Title
None	



ICN-SPORTSTAR-A-53-20-00-E-0396G-00030-A-001-01.CGM

Figure 1: Tail skid

Fig.	Item	Units per assembly / Units of issue	NCAGE	Part Number NATO Stock Number	Nomenclature	*Usable on code assy •MV/Effect	I C Y
1A							
-	0	1	0396G	S1 00-13 01	Tail skid installation		
	1	1	0396G	E1 01-34 21	• Tail skid		
	2	1	0396G	E1 01-35 21	• Reinforcement		
	3	1	0396G	S1 01-40 21	• Anchoring piece		
	4	3	0396G	038193 (ISO 7089)	• Washer 5.3		
	5	3	0396G	007361 (CSN 02 1143.54)	• Screw M5x20		
-	701	7	0396G	043550 (CSN 02 2302.5)	• Rivet 3.5x10		

Lids and covers inside the fuselage

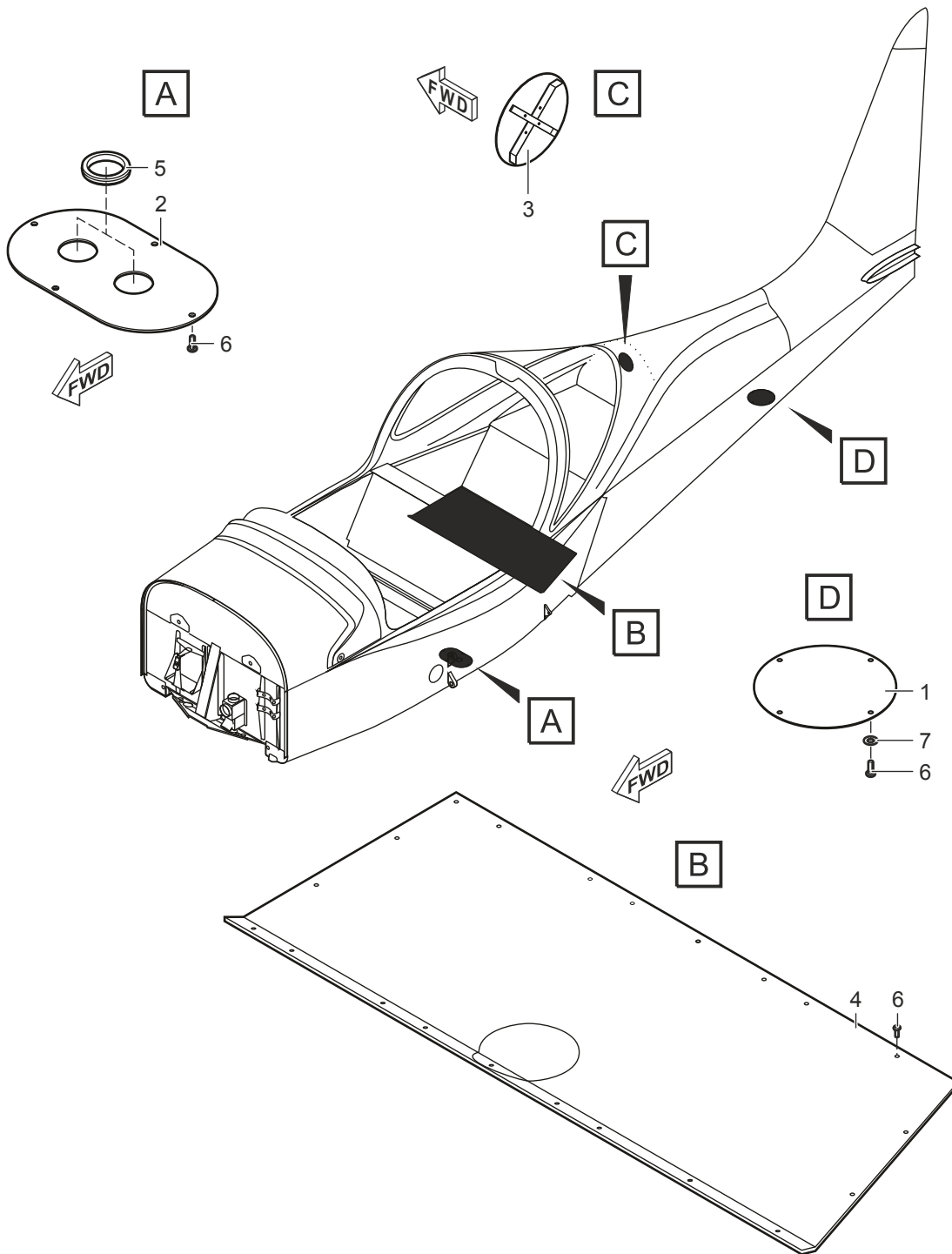
Illustrated parts data

Table of Contents	Page
Lids and covers inside the fuselage - Illustrated parts data.....	1
Index of Tables	Page
1 References.....	1
Index of Figures	Page
1 Lids and covers inside the fuselage.....	2

References

Table 1 References

Data module/Technical publication	Title
None	



ICN-SPORTSTAR-A-53-20-00-E-0396G-00031-A-001-01.CGM

Figure 1: Lids and covers inside the fuselage

Fig.	Item	Units per assembly / Units of issue	NCAGE	Part Number NATO Stock Number	Nomenclature	*Usable on code assy •MV/Effect	I C Y
1A							
-	0	1	0396G	53-20-02	Lids and covers inside the fuselage		
	1	1	0396G	E2 50-60 01	• Lid		
	2	1	0396G	S1 02-14 21	• Lid		
	3	1	0396G	761375	• Cover		
	4	1	0396G	S1 80-21 01	• Cover sheet		
	5	2	0396G	077060 (CSN 63 3881.3)	• Bushing 18x1		
	6	27	0396G	004985	• Screw M4x12		
	7	4	0396G	038237 (ISO 7089)	• Washer 3.7		

This page has been intentionally left blank.

Fuselage upper cover

Illustrated parts data

Table of Contents

	Page
Fuselage upper cover - Illustrated parts data.....	1

Index of Tables

	Page
1 References.....	1

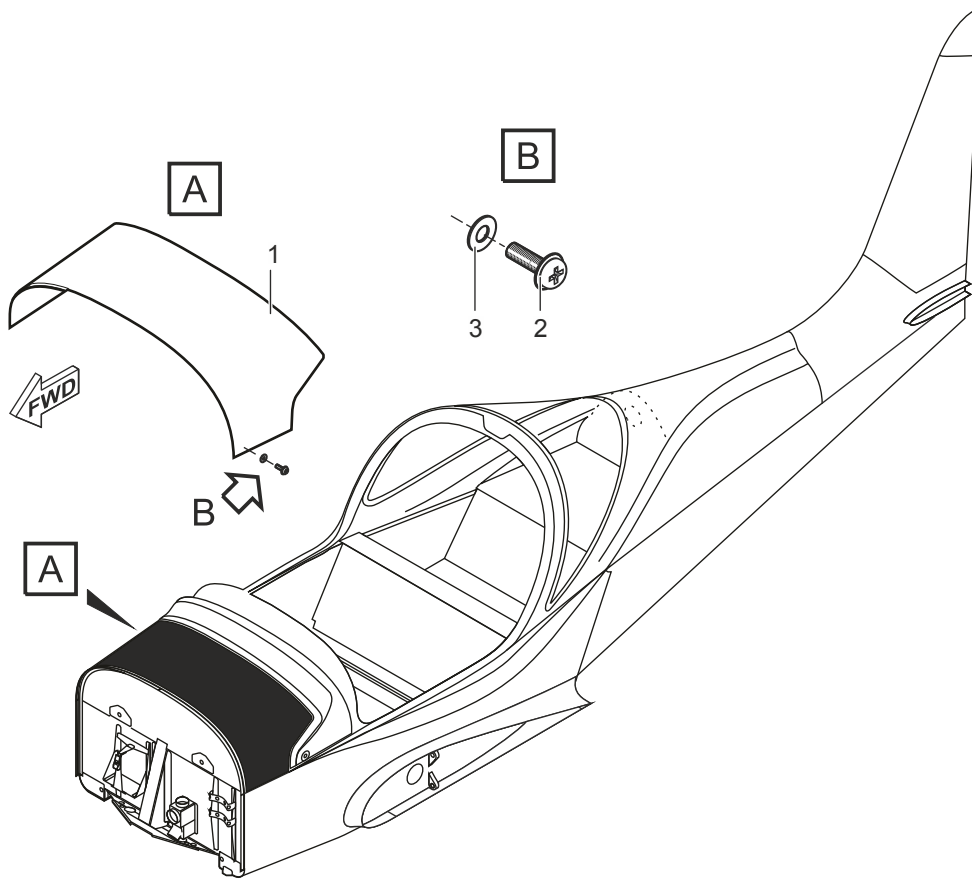
Index of Figures

	Page
1 Fuselage upper cover.....	2

References

Table 1 References

Data module/Technical publication	Title
None	



ICN-SPORTSTAR-A-53-30-00-E-0396G-00032-A-001-01.CGM

Figure 1: Fuselage upper cover

Fig.	Item	Units per assembly / Units of issue	NCAGE	Part Number NATO Stock Number	Nomenclature	*Usable on code assy •MV/Effect	I C Y
1A							
-	0	1	0396G	53-30-01	Fuselage upper cover		
	1	1	0396G	S1 84-01 01	• Upper cover		
	2	19	0396G	004985	• Screw M4x12		
	3	19	0396G	038237 (ISO 7089)	• Washer 3.7		

Fuselage - wing fillets

Illustrated parts data

Table of Contents	Page
Fuselage - wing fillets - Illustrated parts data.....	1

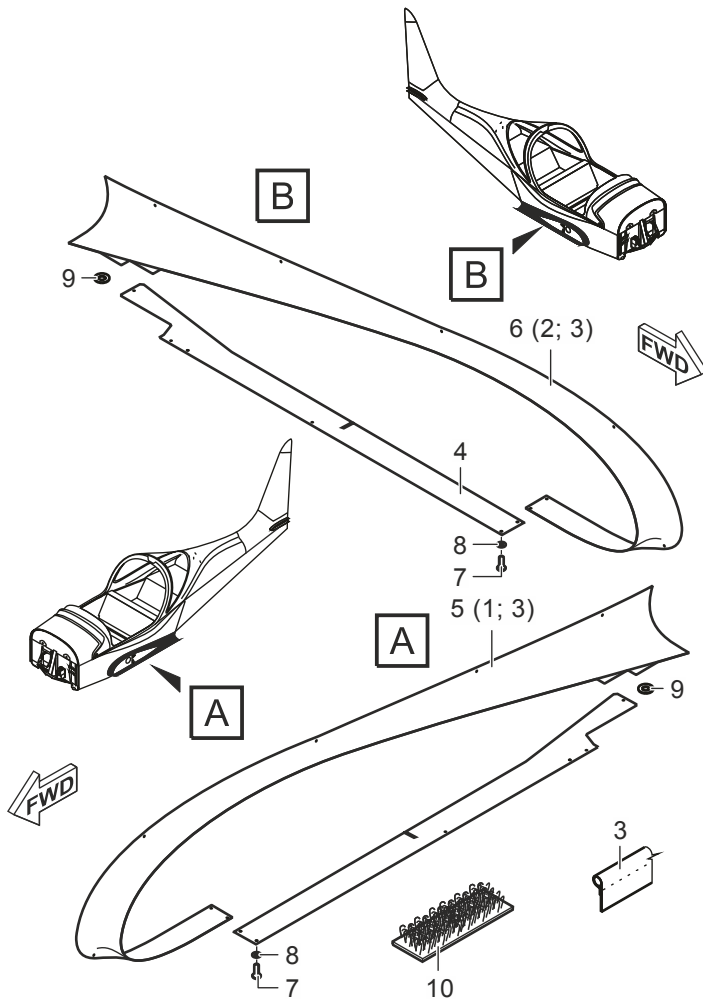
Index of Tables	Page
1 References.....	1

Index of Figures	Page
1 Fuselage - wing fillets.....	2

References

Table 1 References

Data module/Technical publication	Title
None	



ICN-SPORTSTAR-A-53-50-00-E-0396G-00034-A-001-01.CGM

Figure 1: Fuselage - wing fillets

Fig.	Item	Units per assembly / Units of issue	NCAGE	Part Number NATO Stock Number	Nomenclature	*Usable on code assy •MV/Effect	I C Y
1A							
-	0	1	0396G	53-50-01	Fuselage - wing fillets		
	1	1	0396G	E0 23-01 21	• Fillet sheet - left		
	2	1	0396G	E0 23-01 22	• Fillet sheet - right		
	3	4	0396G	762102	• Sealing		
	4	2	0396G	E0 23-02 21	• Lower fillet		

Applicability: All

SPORTSTAR-A-53-50-01-01A-941A-D

Fig.	Item	Units per assembly / Units of issue	NCAGE	Part Number NATO Stock Number	Nomenclature	*Usable on code assy •MV/Effect	I C Y
1A							
	5	1	0396G	E0 23-30 01	• Upper fillet - left		
	6	1	0396G	E0 23-30 02	• Upper fillet - right		
	7	36	0396G	004985	• Screw M4x12		
	8	36	0396G	038237 (ISO 7089)	• Washer 3.7		
	9	2	0396G	038673	• Washer 6.4		
	10	2	0396G	086603	• Velcro strap - hooks		

This page has been intentionally left blank.

Rear fuselage and fin fairings

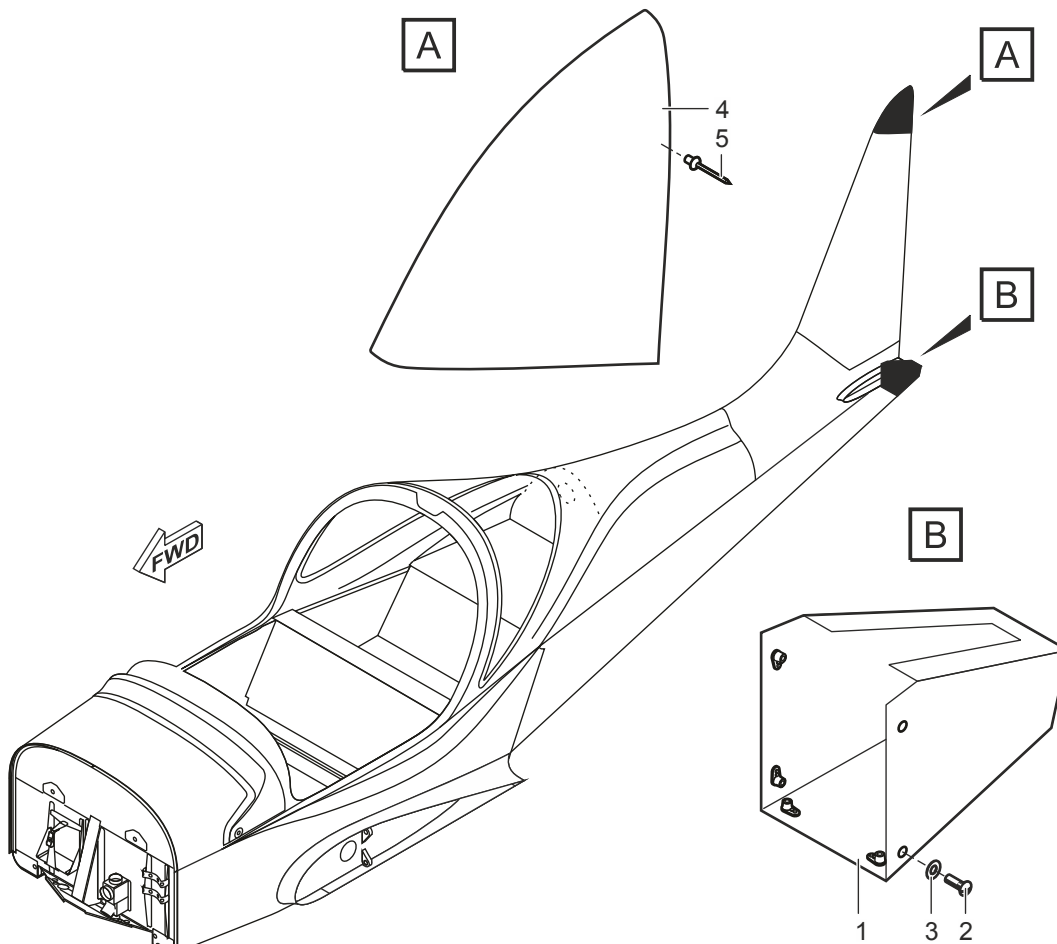
Illustrated parts data

Table of Contents	Page
Rear fuselage and fin fairings - Illustrated parts data.....	1
Index of Tables	Page
1 References.....	1
Index of Figures	Page
1 Rear fuselage and fin fairings.....	2

References

Table 1 References

Data module/Technical publication	Title
None	



ICN-SPORTSTAR-A-53-50-00-E-0396G-00033-A-001-01.CGM

Figure 1: Rear fuselage and fin fairings

Fig.	Item	Units per assembly / Units of issue	NCAGE	Part Number NATO Stock Number	Nomenclature	*Usable on code assy •MV/Effect	I C Y
1A							
-	0	1	0396G	53-50-02	Rear fuselage and fin fairings		
	1	1	0396G	E1 01-09 01	• Rear fuselage fairing		
	2	6	0396G	004985	• Screw M4x12		
	3	6	0396G	038237 (ISO 7089)	• Washer 3.7		
	4	1	0396G	S1 55-72 01	• Fin fairing		



Fig.	Item	Units per assembly / Units of issue	NCAGE	Part Number NATO Stock Number	Nomenclature	*Usable on code assy •MV/Effect	I C Y
1A							
	5	19	0396G	047560 (AVDEL 1691-0410)	• Rivet 3.2x7.9		

This page has been intentionally left blank.

Stabilizers

Illustrated parts data

Table of Contents

	Page
Stabilizers - Illustrated parts data.....	1

Index of Tables

	Page
1 References.....	1

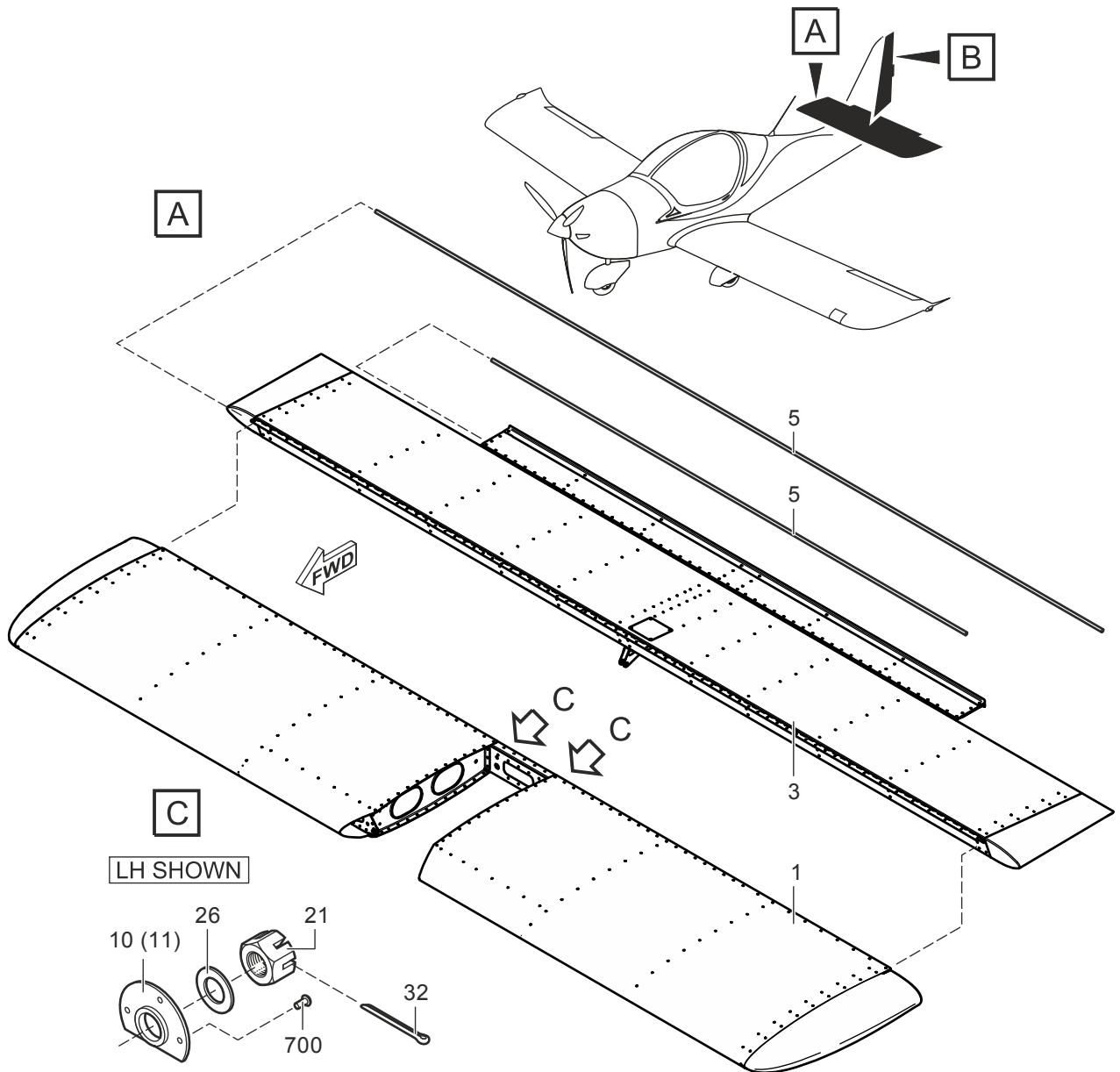
Index of Figures

	Page
1 	2

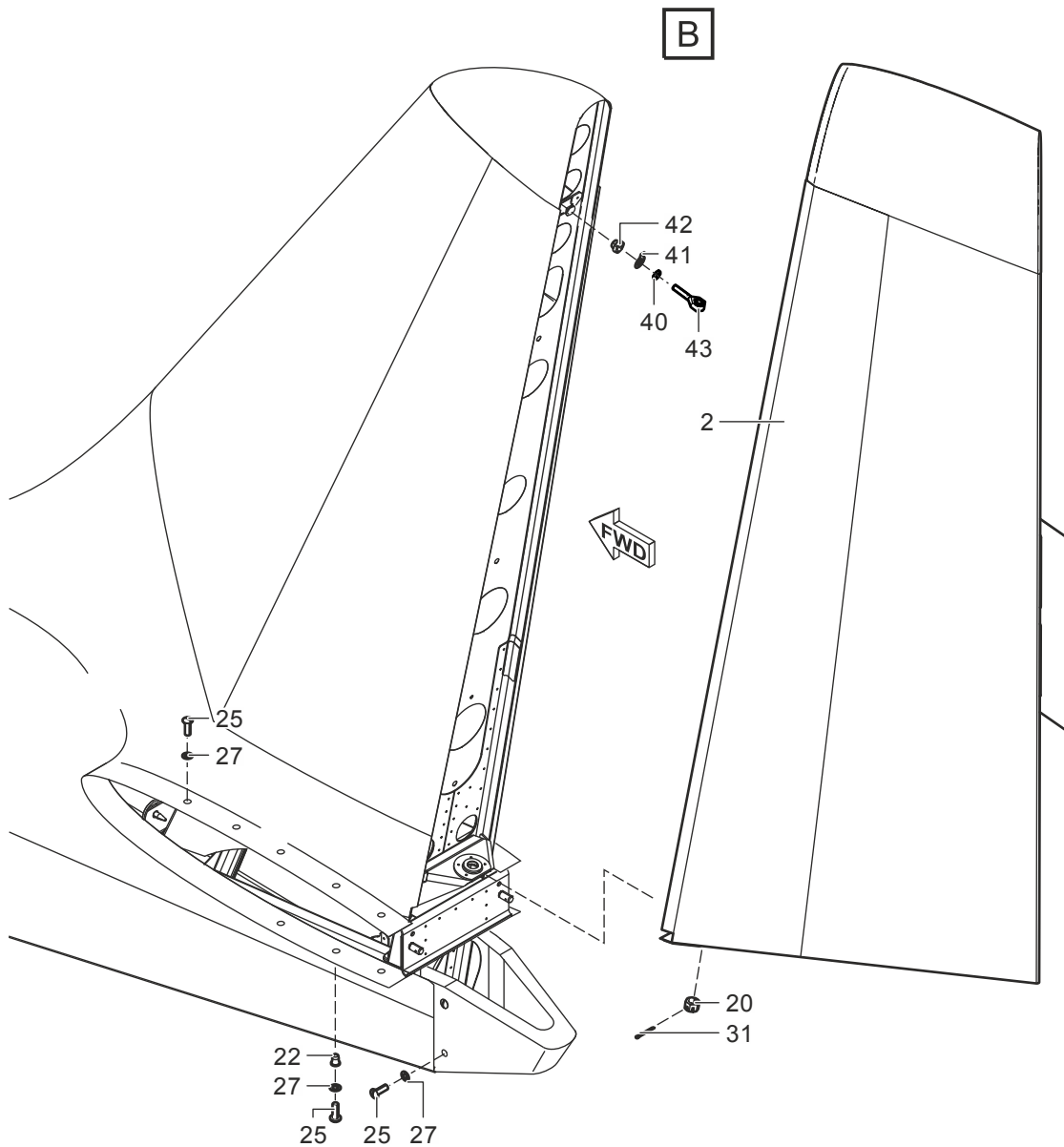
References

Table 1 References

Data module/Technical publication	Title
None	



ICN-SPORTSTAR-A-55-00-00-E-0396G-00045-A-001-01.CGM
 Figure 1: (Sheet 1 of 2)



ICN-SPORTSTAR-A-55-00-00-E-0396G-00046-A-001-01.CGM

Figure 1: (Sheet 2 of 2)

Fig.	Item	Units per assembly / Units of issue	NCAGE	Part Number NATO Stock Number	Nomenclature	*Usable on code assy •MV/Effect	I C Y
1A							
-	0	1	0396G	S0 00-22 01	Stabilizers		
	1	1	0396G	S3 00-01 01	• Horizontal stabilizer		

Applicability: All

SPORTSTAR-A-55-00-00-01A-941A-D

Fig.	Item	Units per assembly / Units of issue	NCAGE	Part Number NATO Stock Number	Nomenclature	*Usable on code assy •MV/Effect	I C Y
1A							
	2	1	0396G	S3 00-04 01	• Rudder		
	3	1	0396G	S3 00-05 01	• Elevator		
	5	AR	0396G	118830	• Hinge wire		
	10	1	0396G	SG3 01-23 21	• Case		
	11	1	0396G	SG3 01-23 22	• Case		
	20	1	0396G	032050 (CSN 02 1411.24)	• Nut M5		
	21	2	0396G	032350 (CSN 02 1413.44)	• Nut M8		
	22	18	0396G	035410	• Anchor nut M4		
	25	28	0396G	004986	• Screw M4x16		
	26	2	0396G	038208 (ISO 7089)	• Washer 8.4		
	27	28	0396G	038237 (ISO 7089)	• Washer 3.7		
	31	1	0396G	038850 (CSN 02 1781.05)	• Cotter pin 1x12		
	32	2	0396G	039310 (ISO 1234)	• Cotter pin 2x20		
	40	1	0396G	031552 (ISO 4035)	• Nut M8		
	41	1	0396G	038241	• Washer 8.4		
	42	1	0396G	033870 (ISO 7042)	• Nut M8		
	43	1	0396G	079563	• Adjustable rod eye with swivel		
	700	6	0396G	046024 (NAS1097-AD4-6)	• Rivet 3.2x9.5		

Rudder ledge

Illustrated parts data

Table of Contents	Page
Rudder ledge - Illustrated parts data.....	1

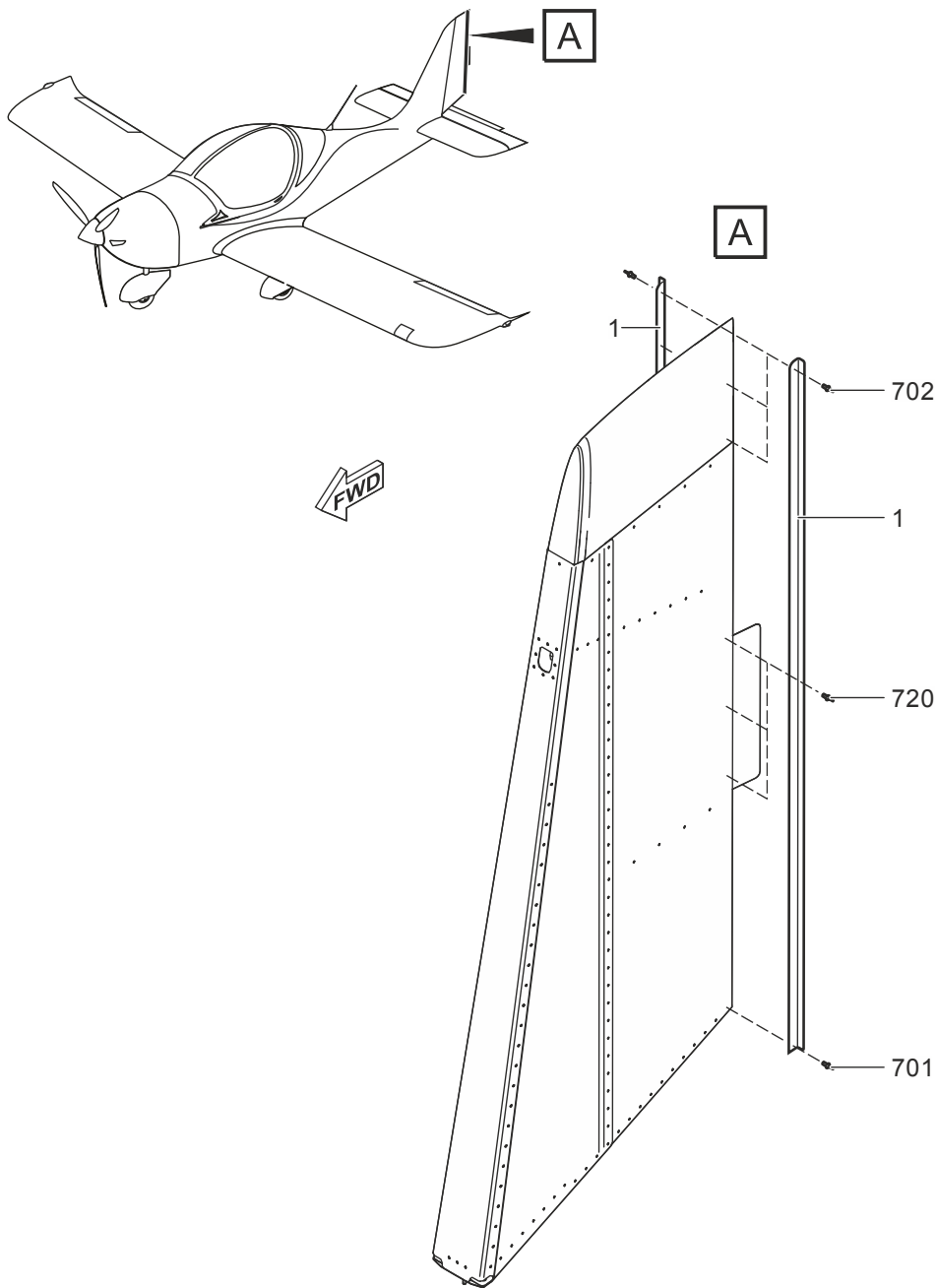
Index of Tables	Page
1 References.....	1

Index of Figures	Page
1 Rudder ledge.....	2

References

Table 1 References

Data module/Technical publication	Title
None	



ICN-SPORTSTAR-A-55-40-00-E-0396G-00053-A-001-01.CGM

Figure 1: Rudder ledge

Fig.	Item	Units per assembly / Units of issue	NCAGE	Part Number NATO Stock Number	Nomenclature	*Usable on code assy •MV/Effect	I C Y
1A	-	0 1	0396G	S3 00-08 01	Rudder ledge		

Applicability: All

SPORTSTAR-A-55-40-01-01A-941A-D

Fig.	Item	Units per assembly / Units of issue	NCAGE	Part Number NATO Stock Number	Nomenclature	*Usable on code assy •MV/Effect	I C Y
1A							
	1	2	0396G	S3 00-08 21	• Ledge		
	700	13	0396G	046385	• Rivet 2.4x3.3		
	710	6	0396G	046386	• Rivet 2.4x4.9		
	720	3	0396G	047581 (AVDEL 1031-3204)	• Rivet 3.2x4		

This page has been intentionally left blank.

Cockpit windows

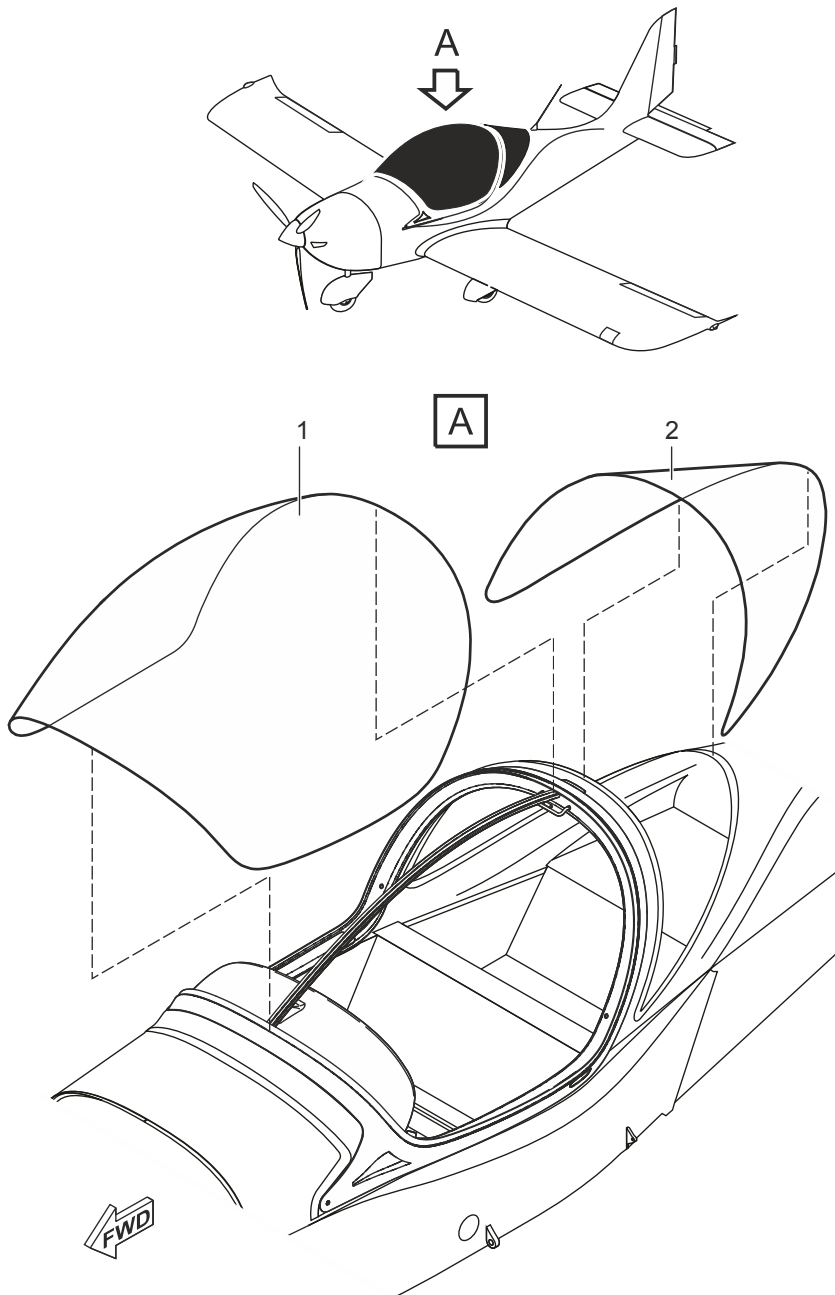
Illustrated parts data

Table of Contents	Page
Cockpit windows - Illustrated parts data.....	1
Index of Tables	Page
1 References.....	1
Index of Figures	Page
1 Cockpit windows.....	2

References

Table 1 References

Data module/Technical publication	Title
None	



ICN-SPORTSTAR-A-56-10-00-E-0396G-00097-A-001-01.CGM

Figure 1: Cockpit windows

Fig.	Item	Units per assembly / Units of issue	NCAGE	Part Number NATO Stock Number	Nomenclature	*Usable on code assy •MV/Effect	I C Y
1A	-	0 1	0396G	56-10-01	Cockpit windows		

Applicability: All

SPORTSTAR-A-56-10-00-01A-941A-D

Fig.	Item	Units per assembly / Units of issue	NCAGE	Part Number NATO Stock Number	Nomenclature	*Usable on code assy •MV/Effect	I C Y
1A							
	1	1	0396G	S1 66-02 21	• Canopy glass		
	2	1	0396G	S1 57-04 21	• Fixed canopy glass		
-	20	AR	0396G	096227	• Sealant Sabatack 750 black		
-	21	AR	0396G	087092	• Adhesive tape		
-	22	AR	0396G	086020	• Masking tape		

This page has been intentionally left blank.

Wing hinges

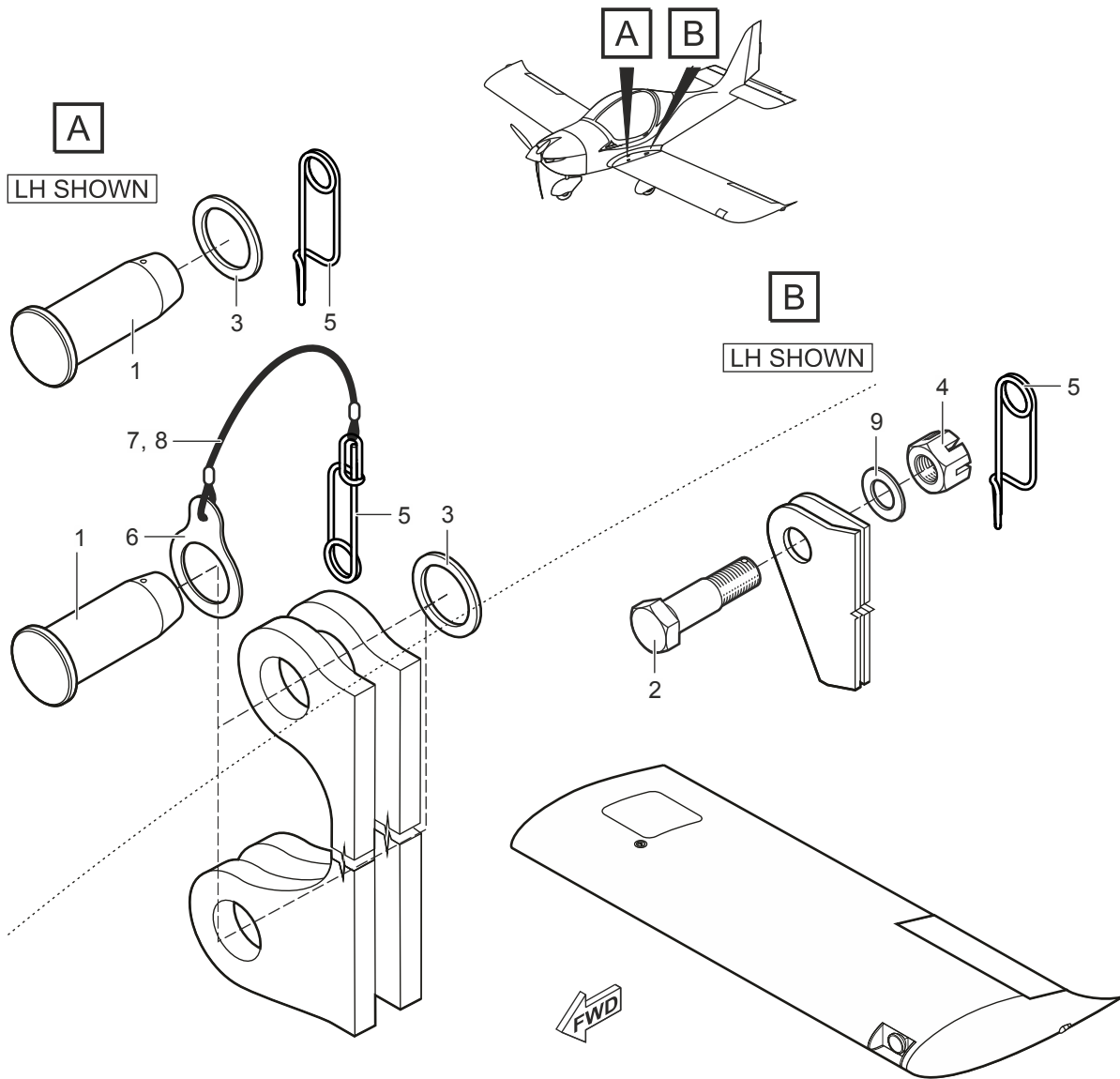
Illustrated parts data

Table of Contents	Page
Wing hinges - Illustrated parts data.....	1
Index of Tables	Page
1 References.....	1
Index of Figures	Page
1 Wing hinges.....	2

References

Table 1 References

Data module/Technical publication	Title
None	



ICN-SPORTSTAR-A-57-10-00-E-0396G-00150-A-001-01.CGM
 Figure 1: Wing hinges

Fig.	Item	Units per assembly / Units of issue	NCAGE	Part Number NATO Stock Number	Nomenclature	*Usable on code assy •MV/Effect	I C Y
1A							
-	0	1	0396G	57-10-01	Wing hinges		
	1	4	0396G	SG0 20-01 21	• Pin		
	2	2	0396G	017800	• Screw 8x25		

Applicability: All

SPORTSTAR-A-57-10-01-01A-941A-D

Fig.	Item	Units per assembly / Units of issue	NCAGE	Part Number NATO Stock Number	Nomenclature	*Usable on code assy •MV/Effect	I C Y
1A							
	3	4	0396G	038677	• Ring		
	4	2	0396G	038208 (ISO 7089)	• Washer 8.4		
-	5	6	0396G	086381	• Securing pin		
	6	4	0396G	S0 20-00 21	• Spacing washer		
	7	AR	0396G	084508	• Strap		
	8	8	0396G	058749	• Nicopress clamp		
	9	2	0396G	033857	• Nut M8		

This page has been intentionally left blank.

Wing flap stops installation

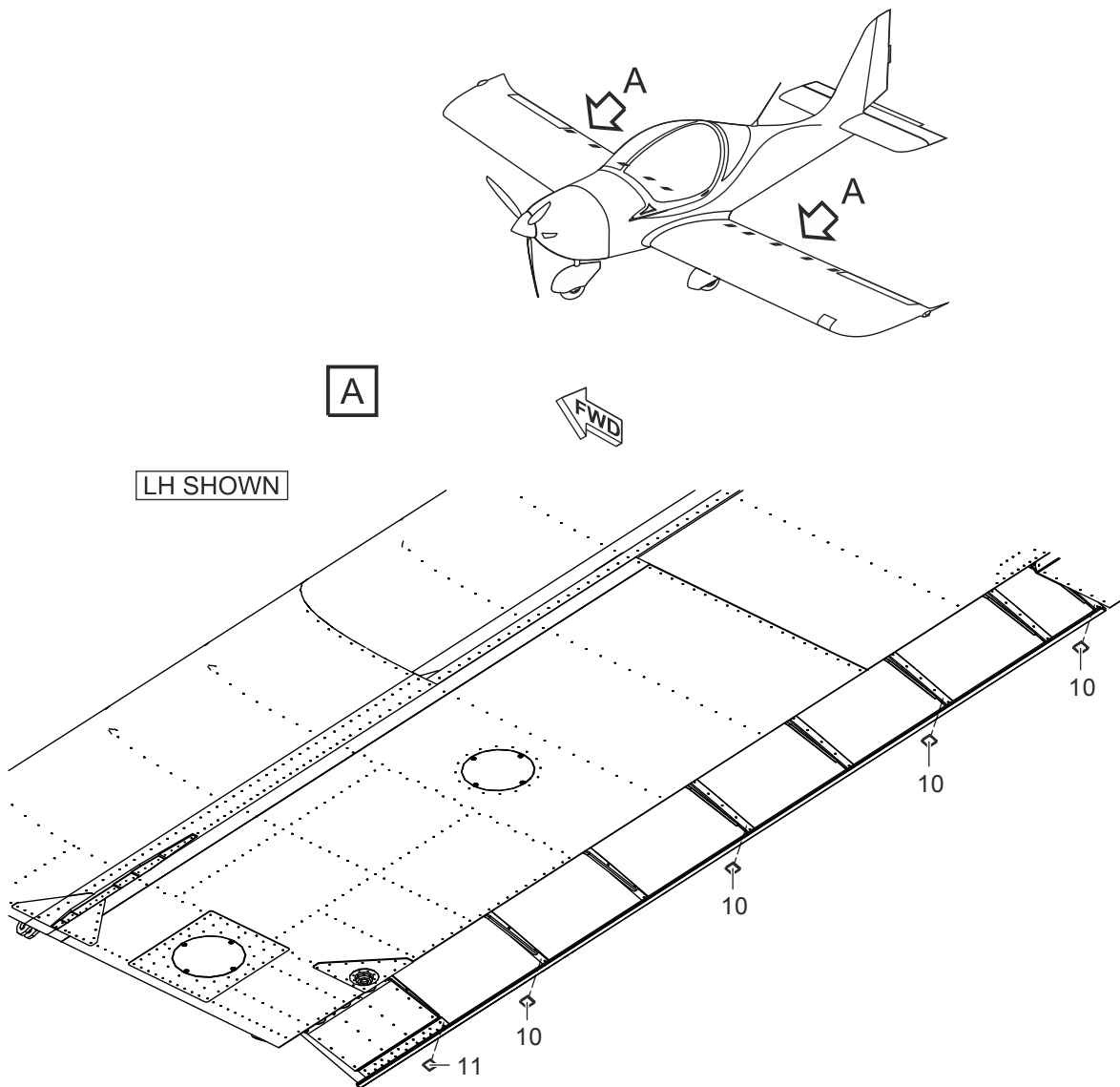
Illustrated parts data

Table of Contents	Page
Wing flap stops installation - Illustrated parts data.....	1
Index of Tables	Page
1 References.....	1
Index of Figures	Page
1 Wing flap stop installation.....	2

References

Table 1 References

Data module/Technical publication	Title
None	



ICN-SPORTSTAR-A-57-10-00-E-0396G-00054-A-001-01.CGM

Figure 1: Wing flap stop installation

Fig.	Item	Units per assembly / Units of issue	NCAGE	Part Number NATO Stock Number	Nomenclature	*Usable on code assy •MV/Effect	I C Y
1A							
-	0	1	0396G	E2 50-25 01	Wing flap stop installation		
	10	AR	0396G	085907	• Rubber - oil resistant		
	11	AR	0396G	085902	• Rubber - oil resistant		

Lids and covers on the wing

Illustrated parts data

Table of Contents	Page
Lids and covers on the wing - Illustrated parts data.....	1

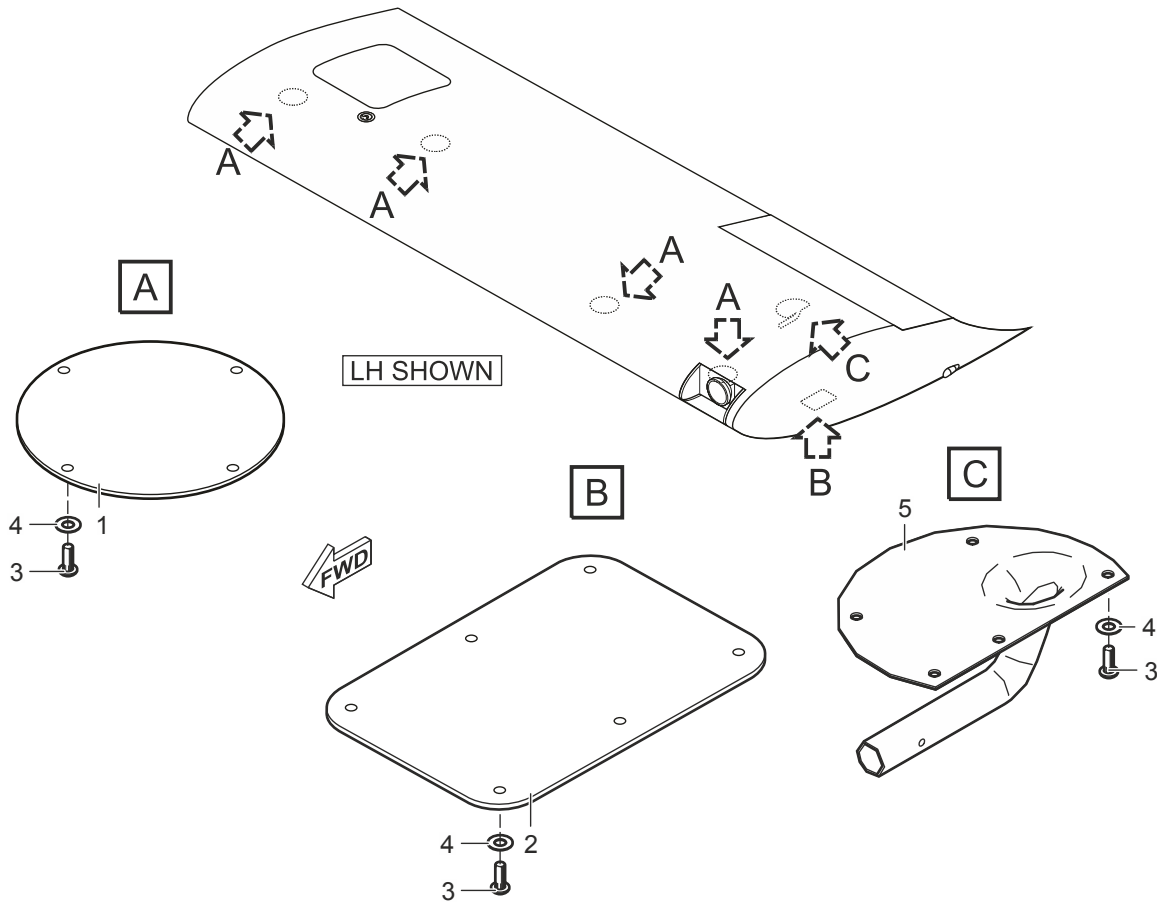
Index of Tables	Page
1 References.....	1

Index of Figures	Page
1 Lids and covers on the wing.....	2

References

Table 1 References

Data module/Technical publication	Title
None	



ICN-SPORTSTAR-A-57-10-00-E-0396G-00151-A-001-01.CGM

Figure 1: Lids and covers on the wing

Fig.	Item	Units per assembly / Units of issue	NCAGE	Part Number NATO Stock Number	Nomenclature	*Usable on code assy •MV/Effect	I C Y
1A							
-	0	1	0396G	57-10-03	Lids and covers on the wing		
	1	4	0396G	762252	• Lid		
	2	1	0396G	E2 40-22 21	• Lid		
	3	30	0396G	004985	• Screw M4x12		
	4	30	0396G	038237 (ISO 7089)	• Washer 3.7		
	5	1	0396G	E2 51-01 01	• Pitot tube holder		

Landing light cover

Illustrated parts data

Table of Contents

	Page
Landing light cover - Illustrated parts data.....	1

Index of Tables

	Page
1 References.....	1

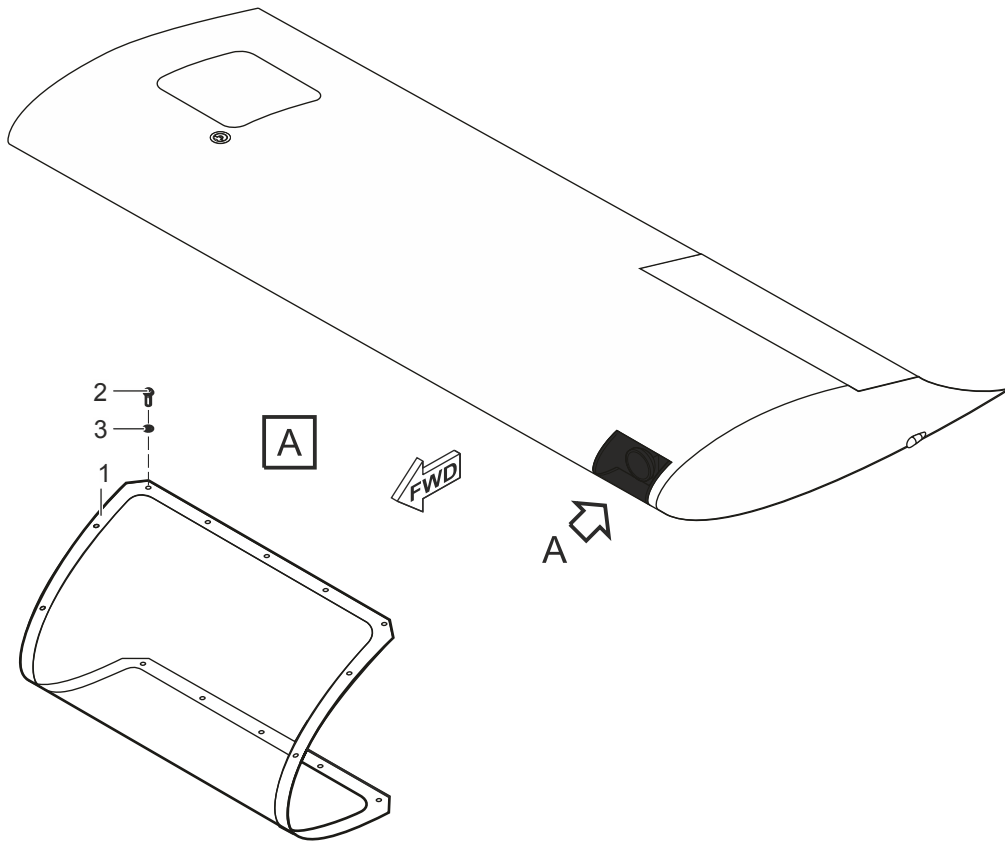
Index of Figures

	Page
1 Landing light cover.....	2

References

Table 1 References

Data module/Technical publication	Title
None	



ICN-SPORTSTAR-A-57-10-00-E-0396G-00152-A-001-01.CGM

Figure 1: Landing light cover

Fig.	Item	Units per assembly / Units of issue	NCAGE	Part Number NATO Stock Number	Nomenclature	*Usable on code assy •MV/Effect	I C Y
1A							
-	0	1	0396G	57-10-04	Landing light cover		
	1	1	0396G	E2 55-10 01	• Landing light cover		
	2	22	0396G	004985	• Screw M4x12		
	3	22	0396G	038237 (ISO 7089)	• Washer 3.7		

Wing flaps

Illustrated parts data

Table of Contents

	Page
Wing flaps - Illustrated parts data.....	1

Index of Tables

	Page
1 References.....	1

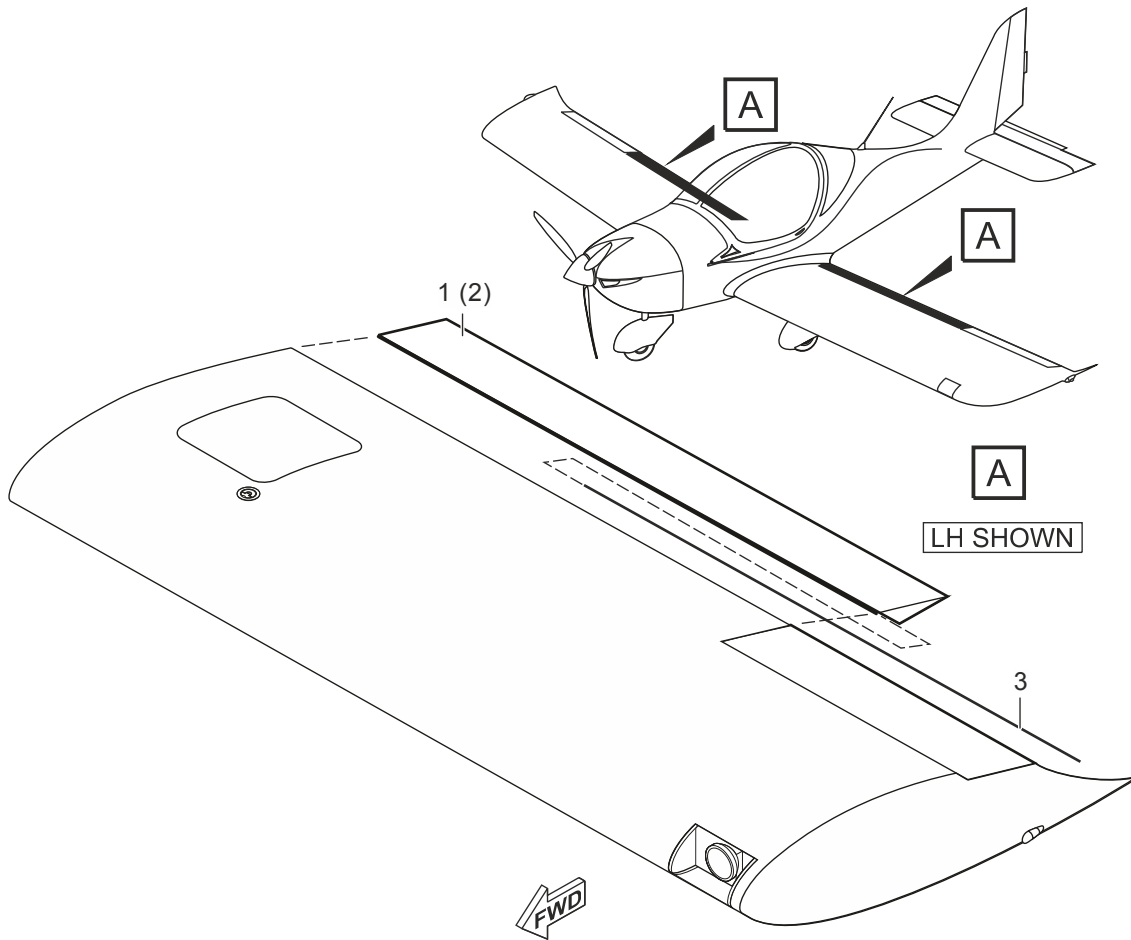
Index of Figures

	Page
1 Wing flaps.....	2

References

Table 1 References

Data module/Technical publication	Title
None	



ICN-SPORTSTAR-A-57-50-00-E-0396G-00153-A-001-01.CGM
 Figure 1: Wing flaps

Fig.	Item	Units per assembly / Units of issue	NCAGE	Part Number NATO Stock Number	Nomenclature	*Usable on code assy •MV/Effect	I C Y
1A	-	0	0396G	57-50-00	Wing flaps		
	1	1	0396G	S2 01-03 01	• Flap		
	2	1	0396G	S2 01-03 02	• Flap		
	3	AR	0396G	118830	• Hinge wire		

Ailerons

Illustrated parts data

Table of Contents	Page
Ailerons - Illustrated parts data.....	1

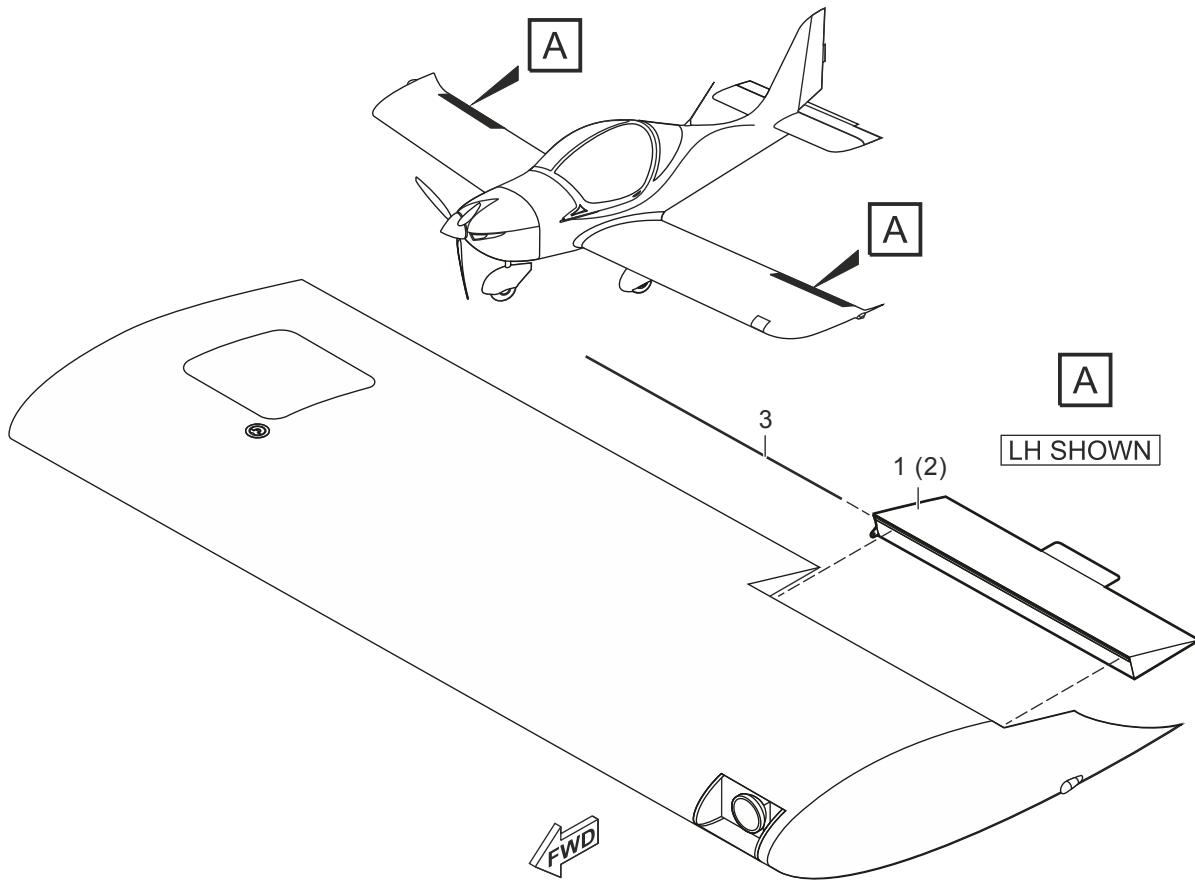
Index of Tables	Page
1 References.....	1

Index of Figures	Page
1 Ailerons.....	2

References

Table 1 References

Data module/Technical publication	Title
None	



ICN-SPORTSTAR-A-57-60-00-E-0396G-00154-A-001-01.CGM

Figure 1: Ailerons

Fig.	Item	Units per assembly / Units of issue	NCAGE	Part Number NATO Stock Number	Nomenclature	*Usable on code assy •MV/Effect	I C Y
1A							
-	0	1	0396G	57-60-00	Ailerons		
	1	1	0396G	S2 01-04 01	• Aileron		
	2	1	0396G	S2 01-04 02	• Aileron		
	3	AR	0396G	118830	• Hinge wire		

Propeller Klassic 170/3/R

Illustrated parts data

Table of Contents

	Page
Propeller Klassic 170/3/R - Illustrated parts data.....	1

Index of Tables

	Page
1 References.....	1

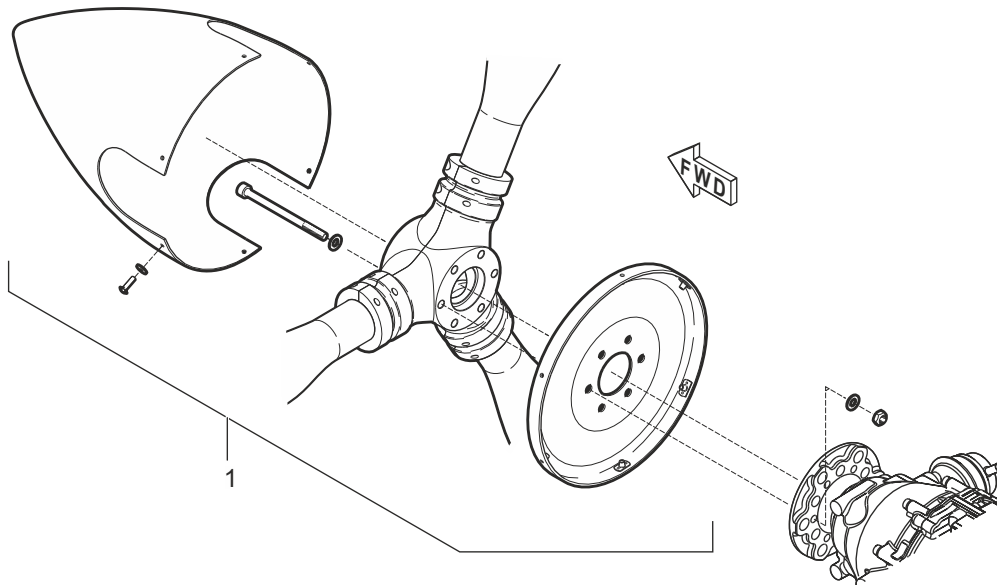
Index of Figures

	Page
1 Propeller Klassic 170/3/R installation.....	1

References

Table 1 References

Data module/Technical publication	Title
None	



ICN-SPORTSTAR-A-61-10-00-E-0396G-00005-A-001-01.CGM

Figure 1: Propeller Klassic 170/3/R installation

Fig.	Item	Units per assembly / Units of issue	NCAGE	Part Number NATO Stock Number	Nomenclature	*Usable on code assy •MV/Effect	I C Y
1A							
-	0	1	0396G	E6 00-86 01	Propeller Klassic 170/3/R installation		
	1	1	0396G	285095	• Propeller Klassic 170/3/R		

Propeller Klassic 170/3/R

Illustrated parts data

Table of Contents

	Page
Propeller Klassic 170/3/R - Illustrated parts data.....	1

Index of Tables

	Page
1 References.....	1

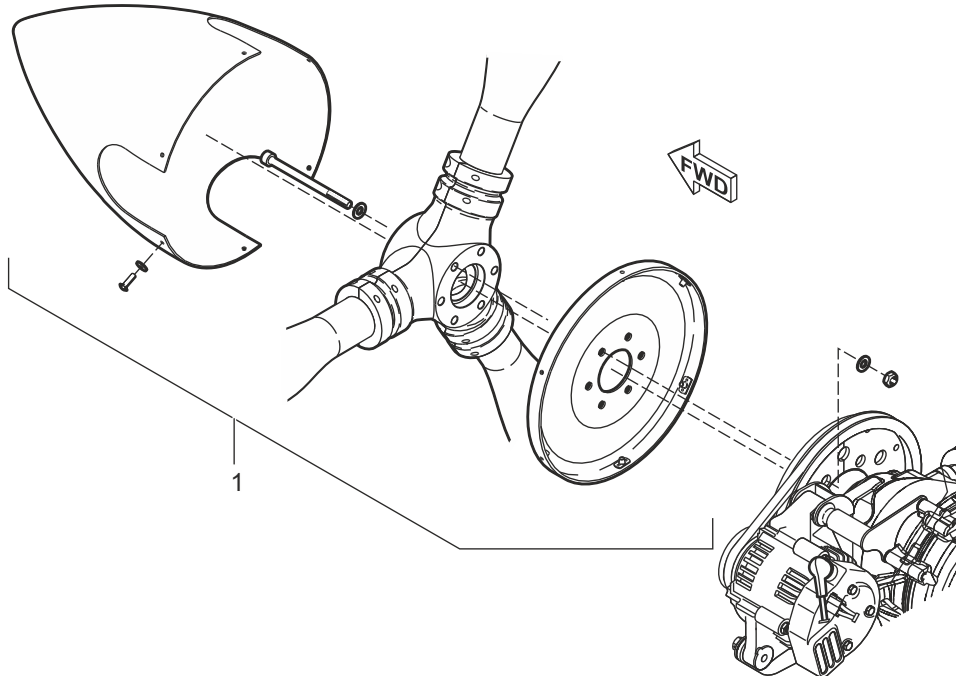
Index of Figures

	Page
1 Propeller Klassic 170/3/R installation - external alternator installed on the engine.....	1

References

Table 1 References

Data module/Technical publication	Title
None	



ICN-SPORTSTAR-A-61-10-00-E-0396G-00194-A-000-01.CGM

Figure 1: Propeller Klassic 170/3/R installation - external alternator installed on the engine

Fig.	Item	Units per assembly / Units of issue	NCAGE	Part Number NATO Stock Number	Nomenclature	*Usable on code assy •MV/Effect	I C Y
1B							
-	0	1	0396G	S6 00-86 01	Propeller Klassic 170/3/R installation - auxiliary alternator installed on the engine		
	1	1	0396G	285054	• Propeller Klassic 170/3/R		
-	10	AR	0396G	118899 (ASTM A580 COND A)	• Lockwire diam. 0.51 mm (0.02 in)		

Propeller KW-31-033

Illustrated parts data

Table of Contents	Page
Propeller KW-31-033 - Illustrated parts data.....	1

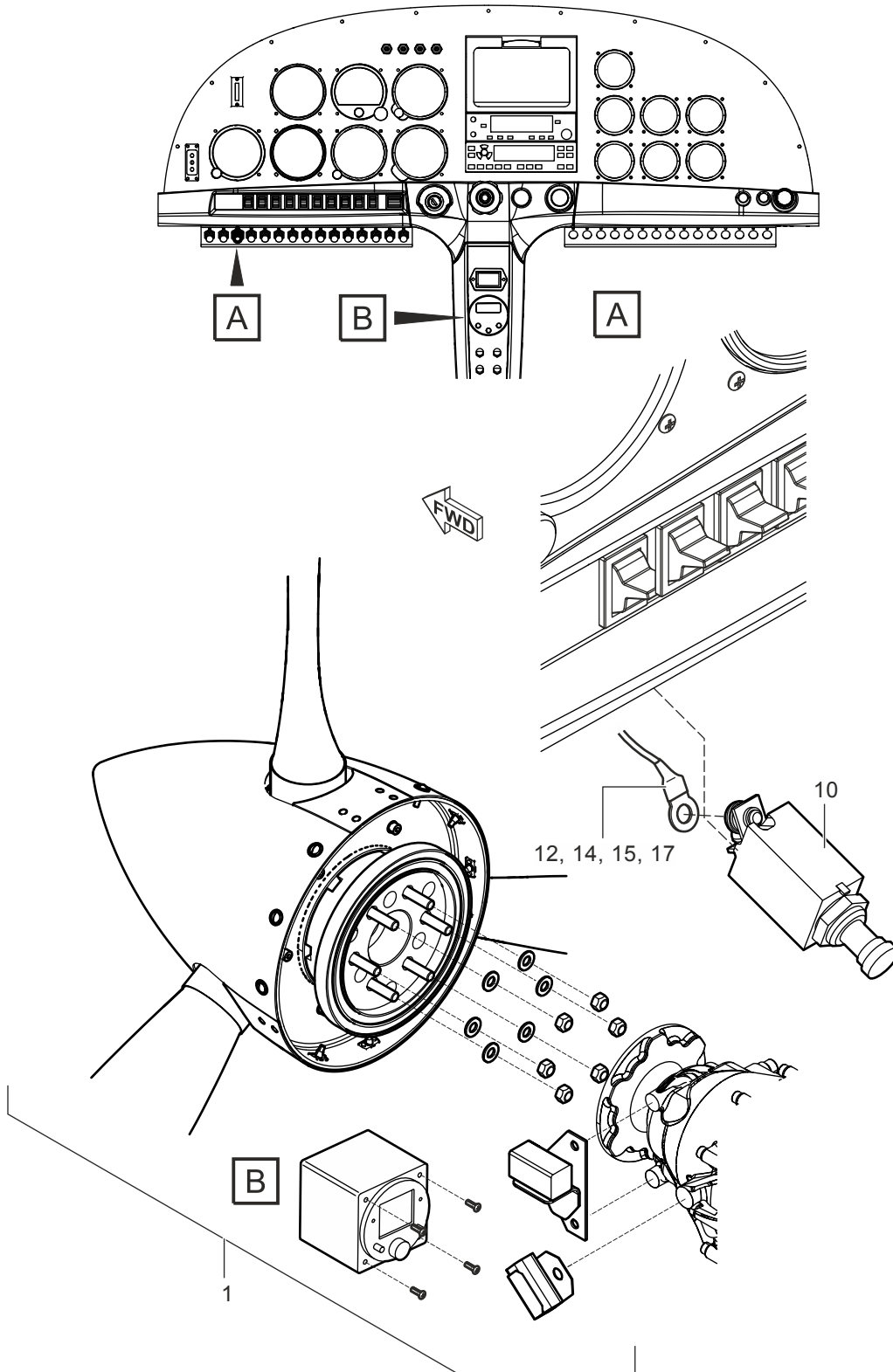
Index of Tables	Page
1 References.....	1

Index of Figures	Page
1 Propeller KW-31-033 installation.....	2

References

Table 1 References

Data module/Technical publication	Title
None	



ICN-SPORTSTAR-A-61-10-00-E-0396G-00006-A-001-01.CGM

Figure 1: Propeller KW-31-033 installation

Fig.	Item	Units per assembly / Units of issue	NCAGE	Part Number NATO Stock Number	Nomenclature	*Usable on code assy •MV/Effect	I C Y
1A							
-	0	1	0396G	S6 00-41 01	Propeller KW-31-033 installation		
	1	1	0396G	285066	• Propeller KW-31-033		
	10	1	0396G	739589	• Circuit breaker 2TC2-7.5		
	12	4	0396G	739772	• Ring cable eye		
	14	AR	0396G	739681	• Electrical wire AE22		
	15	AR	0396G	739682	• Electrical wire AE20		
	17	AR	0396G	088086	• Shrink tube RNF-3000		

This page has been intentionally left blank.

Engine Rotax 912 ULS

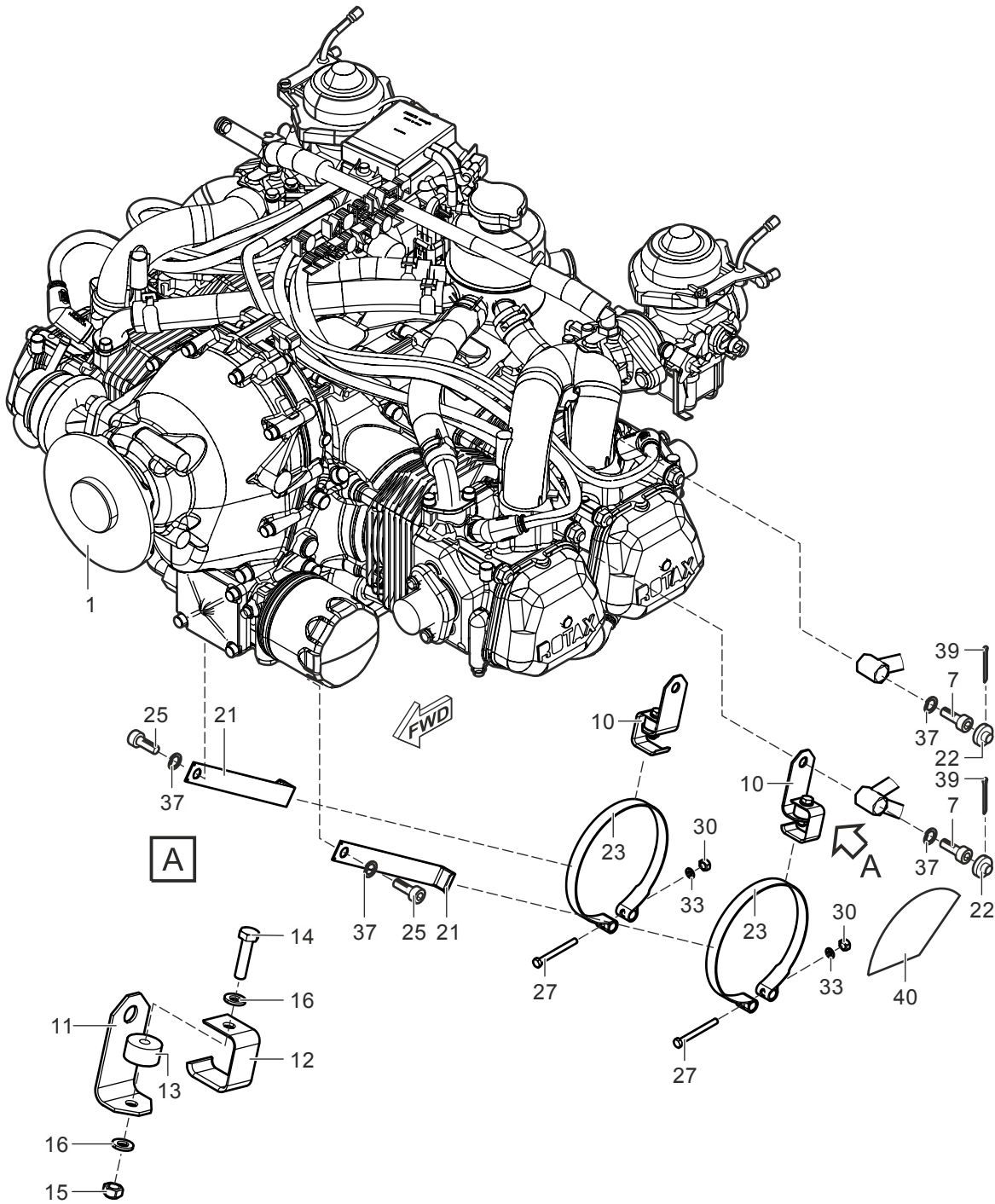
Illustrated parts data

Table of Contents	Page
Engine Rotax 912 ULS - Illustrated parts data.....	1
Index of Tables	Page
1 References.....	1
Index of Figures	Page
1 Engine Rotax 912 ULS.....	2

References

Table 1 References

Data module/Technical publication	Title
None	



ICN-SPORTSTAR-A-71-00-00-E-0396G-00055-A-001-01.CGM

Figure 1: Engine Rotax 912 ULS

Fig.	Item	Units per assembly / Units of issue	NCAGE	Part Number NATO Stock Number	Nomenclature	*Usable on code assy •MV/Effect	I C Y
1A							
-	0	1	0396G	S6 00-63 01	Engine Rotax 912 ULS installation		
	1	1	0396G	766029	• Engine Rotax 912 ULS		
-	2	1	0396G	S6 72-00 01	• Engine cowlings		
-	3	1	0396G	E6 18-15 01	• Exhaust		
-	4	1	0396G	S6 14-10 01	• Engine cooling installation		
-	5	1	0396G	S6 10-30 01	• Oil system - original version		
-	6	1	0396G	S6 14-20 01	• Air intakes		
	7	3	0396G	E6 02-20 21	• Bolt		
	10	2	0396G	E6 10-20 01	• Rear exhaust bracket - assembled		
	11	1	0396G	E6 10-20 21	• • Upper bracket		
	12	1	0396G	E6 10-21 21	• • Lower bracket		
	13	1	0396G	E6 10-24 21	• • Silentblock		
	14	1	0396G	002067 (ISO 4017)	• • Screw M6x25		
	15	1	0396G	033860 (DIN 980 V)	• • Nut M6		
	16	2	0396G	038206 (ISO 7089)	• • Washer 6.4		
-	18	1	0396G	E6 04-18 01	• Choke control		
-	19	1	0396G	E6 04-06 01	• Throttle control		
-	20	1	0396G	S6 71-00 01	• Engine mount installation		
	21	2	0396G	E6 50-02 21	• Front exhaust bracket		
	22	4	0396G	SG6 04-03 21	• Plug		

Applicability: All

SPORTSTAR-A-71-00-01-01A-941A-D

Fig.	Item	Units per assembly / Units of issue	NCAGE	Part Number NATO Stock Number	Nomenclature	*Usable on code assy •MV/Effect	I C Y
1A							
	23	2	0396G	766175	• Clamp		
	25	2	0396G	007328 (ISO 4762)	• Screw M10x25		
-	26	35	0396G	060333	• Cable tie		
	27	2	0396G	000441 (ISO 4017)	• Screw M5x50		
-	28	10	0396G	060332	• Cable tie		
	30	2	0396G	033855 (DIN 980 V)	• Nut M5		
-	31	8	0396G	060371	• Cable tie		
	33	2	0396G	038193 (ISO 7089)	• Washer 5.3		
	37	6	0396G	037209 (DIN 7980)	• Washer 10.2		
	39	4	0396G	039651 (ISO 1234)	• Cotter pin 2x32		
	40	AR	0396G	084934	• Mat Mikra		

Engine Rotax 912 S

Illustrated parts data

Table of Contents

	Page
Engine Rotax 912 S - Illustrated parts data.....	1

Index of Tables

	Page
1 References.....	1

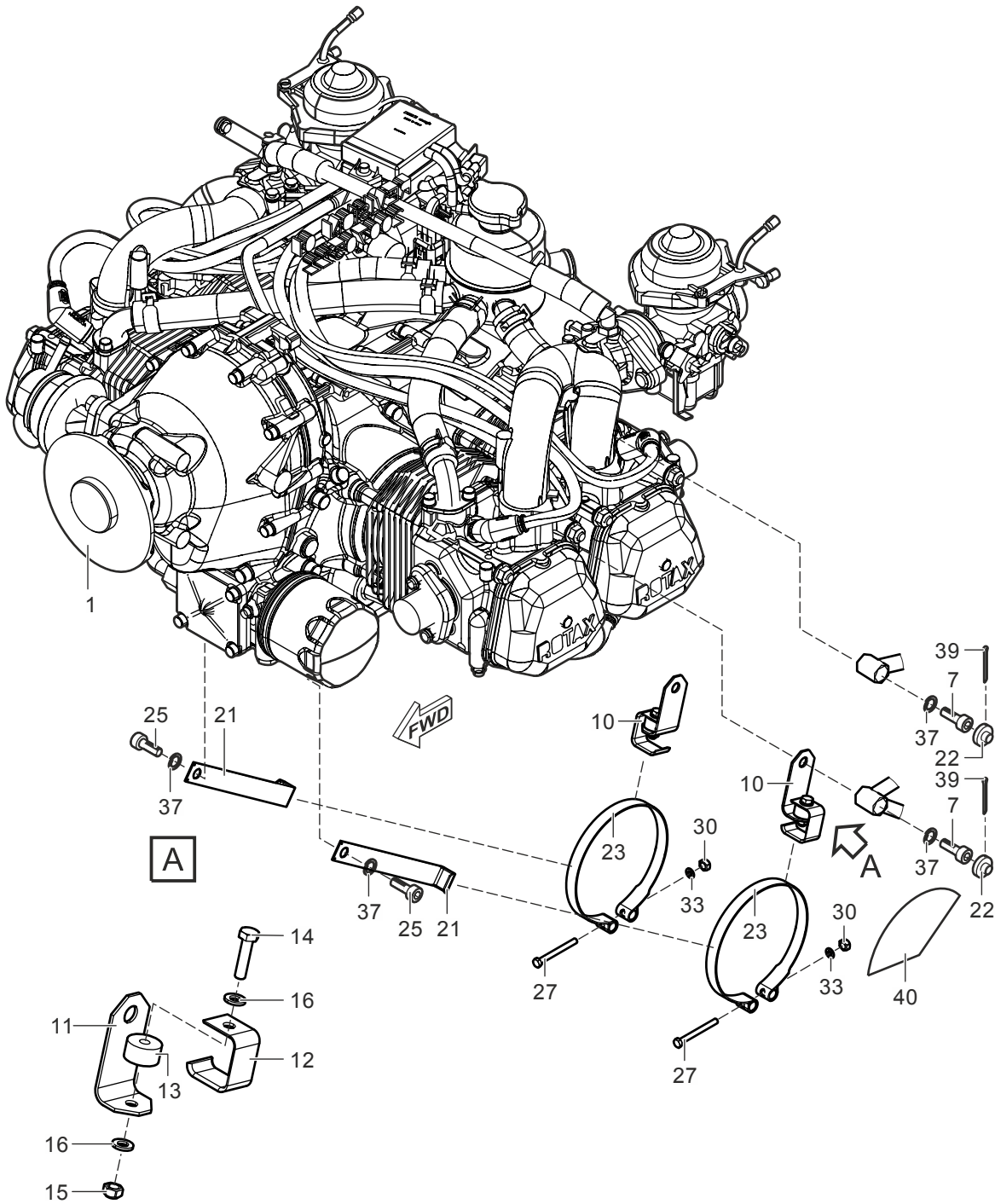
Index of Figures

	Page
1 Engine Rotax 912 S.....	2

References

Table 1 References

Data module/Technical publication	Title
None	



ICN-SPORTSTAR-A-71-00-00-E-0396G-00056-A-001-01.CGM
 Figure 1: Engine Rotax 912 S

Fig.	Item	Units per assembly / Units of issue	NCAGE	Part Number NATO Stock Number	Nomenclature	*Usable on code assy •MV/Effect	I C Y
1A							
-	0	1	0396G	S6 00-64 01	Engine Rotax 912 S installation		
	1	1	0396G	765600	• Engine Rotax 912 S		
-	2	1	0396G	S6 72-00 01	• Engine cowlings		
-	3	1	0396G	E6 18-15 01	• Exhaust		
-	4	1	0396G	S6 14-10 01	• Engine cooling installation		
-	5	1	0396G	S6 10-30 01	• Oil system - original version		
-	6	1	0396G	S6 14-20 01	• Air intakes		
	7	3	0396G	E6 02-20 21	• Bolt		
	10	2	0396G	E6 10-20 01	• Rear exhaust bracket - assembled		
	11	1	0396G	E6 10-20 21	• • Upper bracket		
	12	1	0396G	E6 10-21 21	• • Lower bracket		
	13	1	0396G	E6 10-24 21	• • Silentblock		
	14	1	0396G	002067 (ISO 4017)	• • Screw M6x25		
	15	1	0396G	033860 (DIN 980 V)	• • Nut M6		
	16	2	0396G	038206 (ISO 7089)	• • Washer 6.4		
-	18	1	0396G	E6 04-18 01	• Choke control		
-	19	1	0396G	E6 04-06 01	• Throttle control		
-	20	1	0396G	S6 71-00 01	• Engine mount installation		
	21	2	0396G	E6 50-02 21	• Front exhaust bracket		
	22	4	0396G	SG6 04-03 21	• Plug		

Fig.	Item	Units per assembly / Units of issue	NCAGE	Part Number NATO Stock Number	Nomenclature	*Usable on code assy •MV/Effect	I C Y
1A							
	23	2	0396G	766175	• Clamp		
	25	2	0396G	007328 (ISO 4762)	• Screw M10x25		
-	26	35	0396G	060333	• Cable tie		
	27	2	0396G	000441 (ISO 4017)	• Screw M5x50		
-	28	10	0396G	060332	• Cable tie		
	30	2	0396G	033855 (DIN 980 V)	• Nut M5		
-	31	8	0396G	060371	• Cable tie		
	33	2	0396G	038193 (ISO 7089)	• Washer 5.3		
	37	6	0396G	037209 (DIN 7980)	• Washer 10.2		
	39	4	0396G	039651 (ISO 1234)	• Cotter pin 2x32		
	40	AR	0396G	084934	• Mat Mikra		

Engine Rotax 912 S with external alternator F3A

Illustrated parts data

Table of Contents	Page
Engine Rotax 912 S with external alternator F3A - Illustrated parts data.....	1

Index of Tables	Page
1 References.....	1

Index of Figures	Page
1 Engine Rotax 912 S with external alternator F3A.....	2

References

Table 1 References

Data module/Technical publication	Title
None	

Fig.	Item	Units per assembly / Units of issue	NCAGE	Part Number NATO Stock Number	Nomenclature	*Usable on code assy •MV/Effect	I C Y
1A							
-	0	1	0396G	S6 00-55 01	Engine Rotax 912 S with external alternator F3A installation		
	1	1	0396G	765601	• Engine Rotax 912 S with external alternator F3A		
-	2	1	0396G	S6 75-00 01	• Engine cowlings - new design		
-	3	1	0396G	E6 18-15 01	• Exhaust		
-	4	1	0396G	S6 14-10 01	• Engine cooling installation		
-	5	1	0396G	S6 10-32 01	• Oil system - version for new engine cowlings		
-	6	1	0396G	S6 14-20 01	• Air intakes		
	7	3	0396G	E6 02-20 21	• Bolt		
	9	1	0396G	S6 10-29 21	• Oil cooler deflector		
	10	2	0396G	E6 10-20 01	• Rear exhaust bracket - assembled		
	11	1	0396G	E6 10-20 21	• • Upper bracket		
	12	1	0396G	E6 10-21 21	• • Lower bracket		
	13	1	0396G	E6 10-24 21	• • Silentblock		
	14	1	0396G	002067 (ISO 4017)	• • Screw M6x25		
	15	1	0396G	033860 (DIN 980 V)	• • Nut M6		
	16	2	0396G	038206 (ISO 7089)	• • Washer 6.4		
-	18	1	0396G	E6 04-18 01	• • Choke control		
-	19	1	0396G	E6 04-06 01	• • Throttle control		

Fig.	Item	Units per assembly / Units of issue	NCAGE	Part Number NATO Stock Number	Nomenclature	*Usable on code assy •MV/Effect	I C Y
1A							
-	20	1	0396G	S6 71-00 01	•• Engine mount installation		
	21	2	0396G	E6 50-02 21	•• Front exhaust bracket		
	22	4	0396G	SG6 04-03 21	•• Plug		
	23	2	0396G	766175	•• Clamp		
	25	2	0396G	007328 (ISO 4762)	•• Screw M10x25		
-	26	35	0396G	060333	•• Cable tie		
	27	2	0396G	000441 (ISO 4017)	•• Screw M5x50		
-	28	10	0396G	060332	•• Cable tie		
	30	2	0396G	033855 (DIN 980 V)	•• Nut M5		
-	31	8	0396G	060371	•• Cable tie		
	33	2	0396G	038193 (ISO 7089)	•• Washer 5.3		
	37	6	0396G	037209 (DIN 7980)	•• Washer 10.2		
	39	4	0396G	039651 (ISO 1234)	•• Cotter pin 2x32		
	40	AR	0396G	084934	•• Mat Mikra		
-	700	4	0396G	047560 (AVDEL 1691-0410)	•• Rivet 3.2x7.9		

Cowling

Illustrated parts data

Table of Contents

	Page
Cowling - Illustrated parts data.....	1

Index of Tables

	Page
1 References.....	1

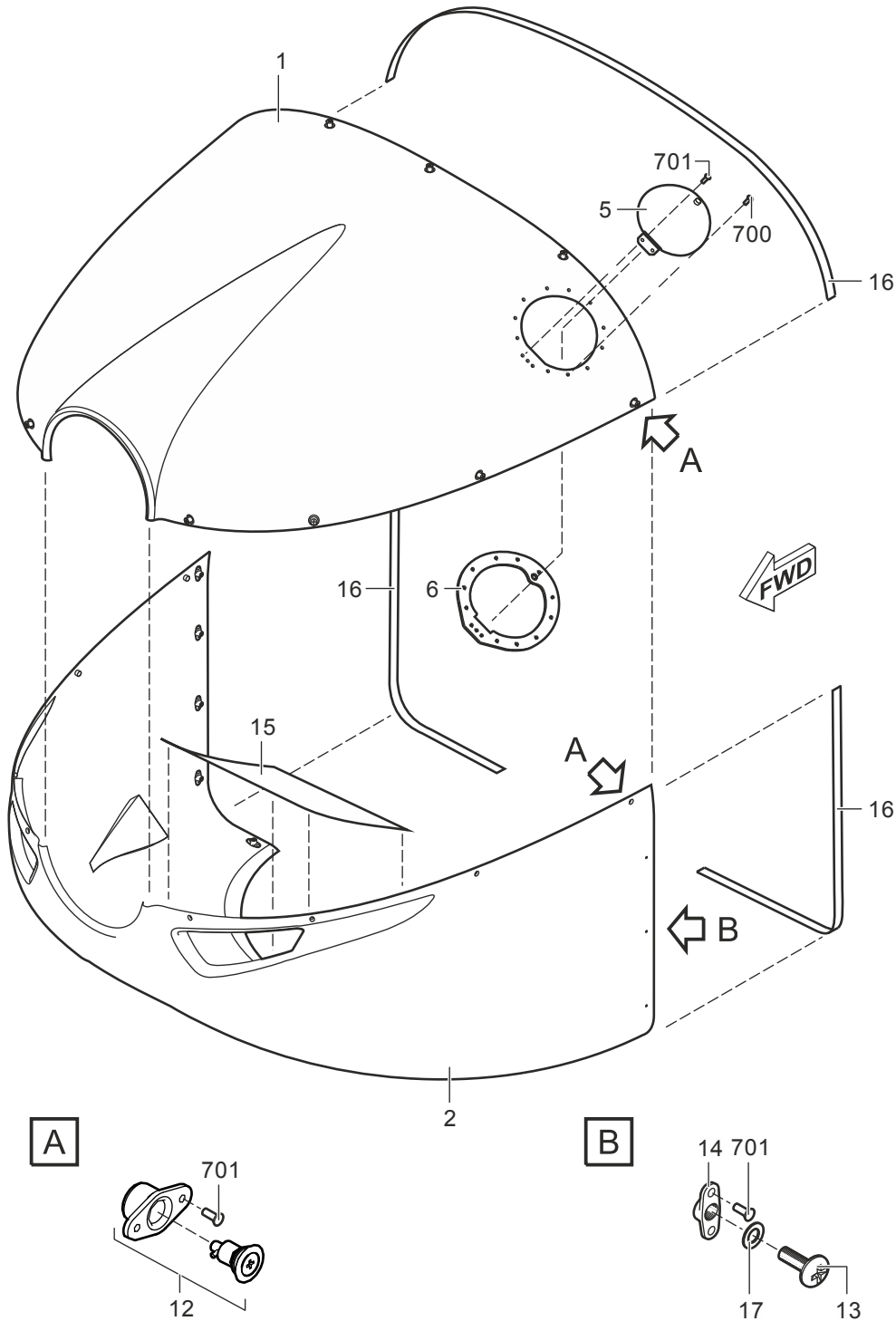
Index of Figures

	Page
1 Engine cowlings.....	2

References

Table 1 References

Data module/Technical publication	Title
None	



ICN-SPORTSTAR-A-71-10-00-E-0396G-00014-A-001-01.CGM
 Figure 1: Engine cowlings

Fig.	Item	Units per assembly / Units of issue	NCAGE	Part Number NATO Stock Number	Nomenclature	*Usable on code assy •MV/Effect	I C Y
1A							
-	0	1	0396G	S6 72-00 01	Engine cowlings		
	1	1	0396G	S6 32-33 01	• Upper engine cowling		
	2	1	0396G	S6 32-36 01	• Lower engine cowling		
	5	1	0396G	E6 30-30 01	• Access lid		
	6	1	0396G	E6 30-30 21	• Reinforcement		
	12	11	0396G	766397	• Cam lock		
	13	10	0396G	004985	• Screw M4x12		
	14	10	0396G	033651	• Nut M4		
	15	AR	0396G	084934	• Mat Mikra		
	16	AR	0396G	085440 (CSN 64 7003)	• Black leatherete		
	17	10	0396G	038237 (ISO 7089)	• Washer 3.7		
	700	12	0396G	047560 (AVDEL 1691-0410)	• Rivet 3.2x7.9		
	701	44	0396G	047590 (AVDEL 1604-0412)	• Rivet 3.2x9.5		

This page has been intentionally left blank.

Cowling

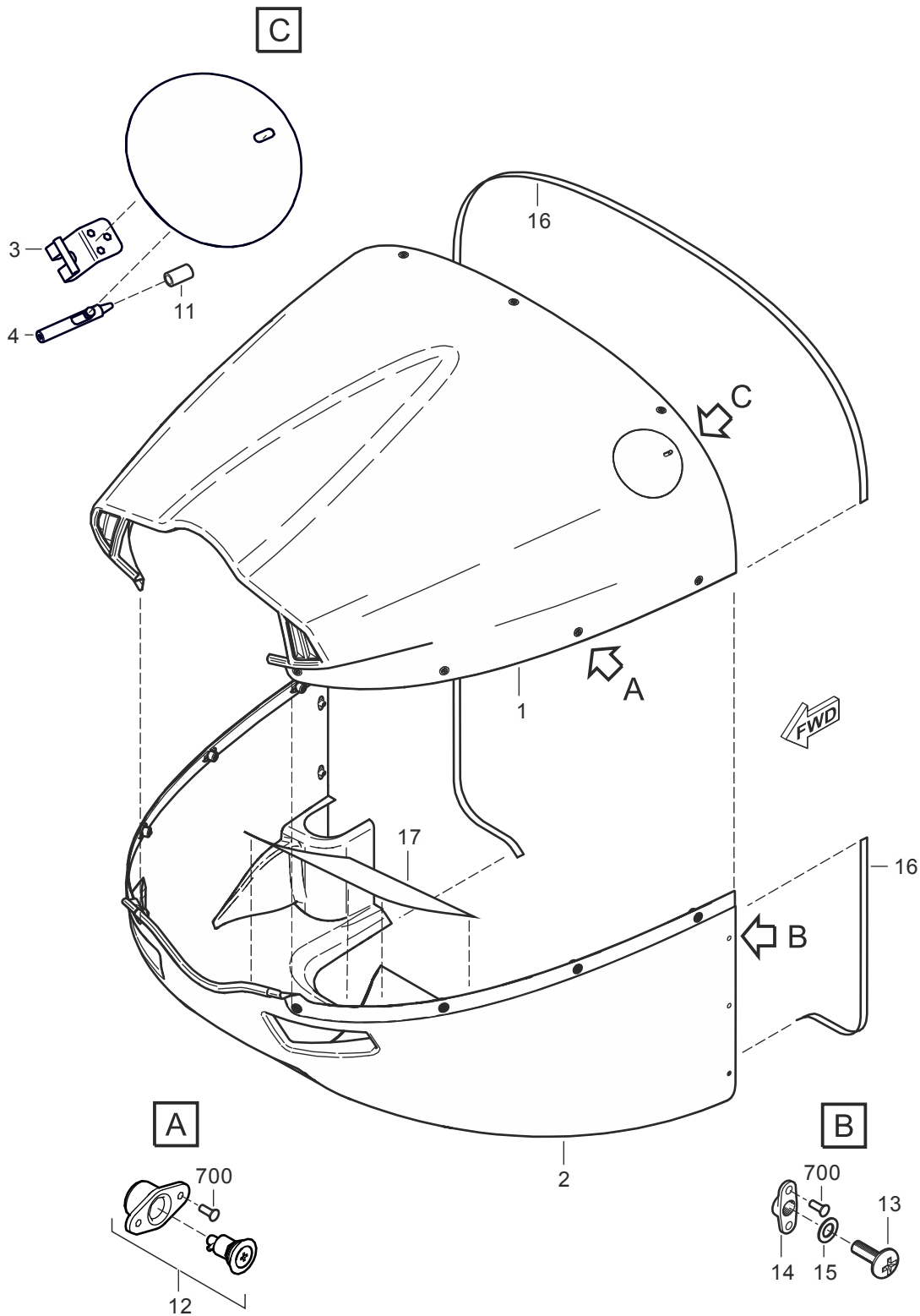
Illustrated parts data

Table of Contents		Page
Cowling - Illustrated parts data.....		1
Index of Tables		Page
1	References.....	1
Index of Figures		Page
1	Engine cowlings - new design.....	2

References

Table 1 References

Data module/Technical publication	Title
None	



ICN-SPORTSTAR-A-71-10-00-E-0396G-00203-A-000-01.CGM
 Figure 1: Engine cowlings - new design

Fig.	Item	Units per assembly / Units of issue	NCAGE	Part Number NATO Stock Number	Nomenclature	*Usable on code assy •MV/Effect	I C Y
1B							
-	0	1	0396G	S6 75-00 01	Engine cowlings - new design		
	1	1	0396G	S6 75-01 01	• Upper engine cowling		
	2	1	0396G	S6 75-02 01	• Lower engine cowling		
	3	1	0396G	S6 75-08 01	• Acces lid hinge		
	4	1	0396G	S6 75-09 01	• Acces lid pawl		
	11	1	0396G	156272	• Tube 6x1		
	12	11	0396G	766397	• Cam lock		
	13	8	0396G	004985	• • Screw M4x12		
	14	8	0396G	033675	• Anchor nut M4		
	15	8	0396G	038237 (ISO 7089)	• Washer 3.7		
	16	AR	0396G	085440 (CSN 64 7003)	• Black leatherete		
	17	AR	0396G	084934	• Mat Mikra		
	700	44	0396G	047590 (AVDEL 1604-0412)	• Rivet 3.2x9.5		
-	701	AR	0396G	086134	• Glass cloth		
-	702	AR	0396G	096024	• Resin L285		
-	703	AR	0396G	096052	• Hardener L285		

This page has been intentionally left blank.

Access lid for coolant level check

Illustrated parts data

Table of Contents	Page
Access lid for coolant level check - Illustrated parts data.....	1

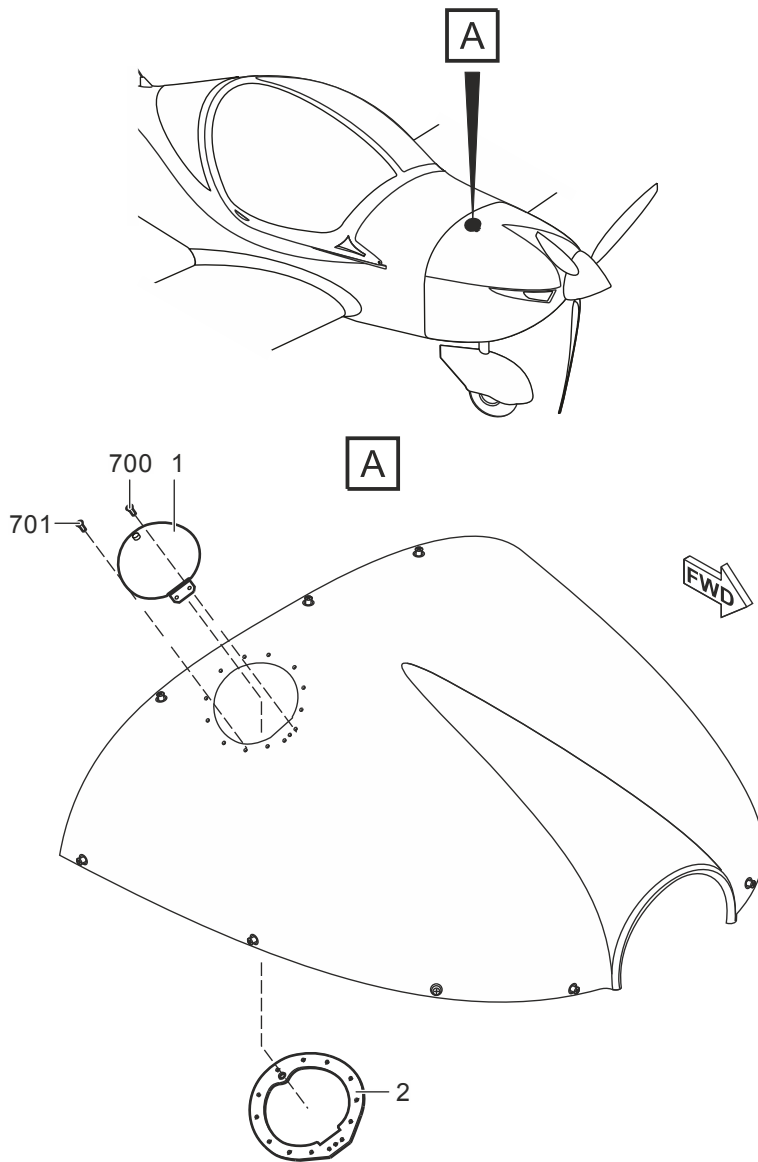
Index of Tables	Page
1 References.....	1

Index of Figures	Page
1 Access lid for coolant level check.....	2

References

Table 1 References

Data module/Technical publication	Title
None	



ICN-SPORTSTAR-A-71-10-00-E-0396G-00027-A-001-01.CGM

Figure 1: Access lid for coolant level check

Fig.	Item	Units per assembly / Units of issue	NCAGE	Part Number NATO Stock Number	Nomenclature	*Usable on code assy •MV/Effect	I C Y
1A							
-	0	1	0396G	S6 74-00 01	Access lid for coolant level check		
	1	1	0396G	E6 30-30 01	• Access lid		
	2	1	0396G	E6 30-30 21	• Reinforcement		

Applicability: All

SPORTSTAR-A-71-10-01-01A-941A-D

Fig.	Item	Units per assembly / Units of issue	NCAGE	Part Number NATO Stock Number	Nomenclature	*Usable on code assy •MV/Effect	I C Y
1A							
	700	2	0396G	047590 (AVDEL 1604-0412)	• Rivet 3.2x9.5		
	701	12	0396G	047560 (AVDEL 1691-0410)	• Rivet 3.2x7.9		

This page has been intentionally left blank.

Engine mount

Illustrated parts data

Table of Contents

	Page
Engine mount - Illustrated parts data.....	1

Index of Tables

	Page
1 References.....	1

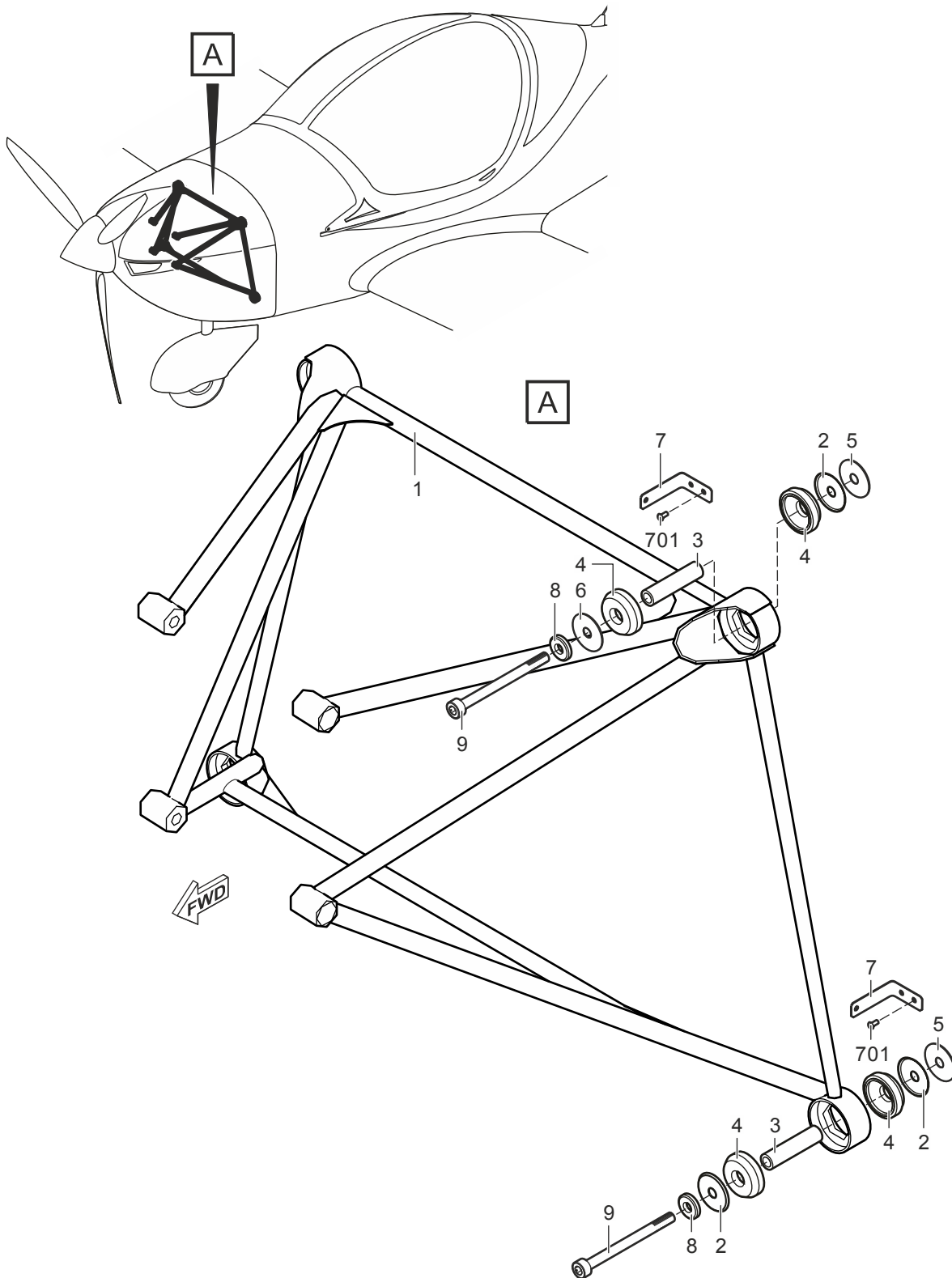
Index of Figures

	Page
1 Engine mount.....	2

References

Table 1 References

Data module/Technical publication	Title
None	



ICN-SPORTSTAR-A-71-20-00-E-0396G-00016-A-001-01.CGM
 Figure 1: Engine mount

Fig.	Item	Units per assembly / Units of issue	NCAGE	Part Number NATO Stock Number	Nomenclature	*Usable on code assy •MV/Effect	I C Y
1A							
-	0	1	0396G	S6 71-00 01	Engine mount installation		
	1	1	0396G	E0 06-00 01	• Engine mount		
	2	6	0396G	766129	• Silentblock retainer		
	3	4	0396G	766134	• Silentblock spacing tube		
	4	8	0396G	768149	• Silentblock		
	5	4	0396G	766132	• Washer		
	6	2	0396G	E0 01-58 21	• Washer		
	7	4	0396G	E0 01-61 21	• Bracket		
	8	4	0396G	S6 71-01 21	• Washer		
	9	4	0396G	S6 71-00 21	• Bolt		
	701	8	0396G	047560 (AVDEL 1691-0410)	• Rivet 3.2x7.9		
-	711	AR	0396G	118899 (ASTM A580 COND A)	• Lockwire diam. 0.51 mm (0.02 in)		

This page has been intentionally left blank.

Air intakes***Illustrated parts data*****Table of Contents**

Page

Air intakes - Illustrated parts data.....	1
---	---

Index of Tables

Page

1	References.....	1
---	-----------------	---

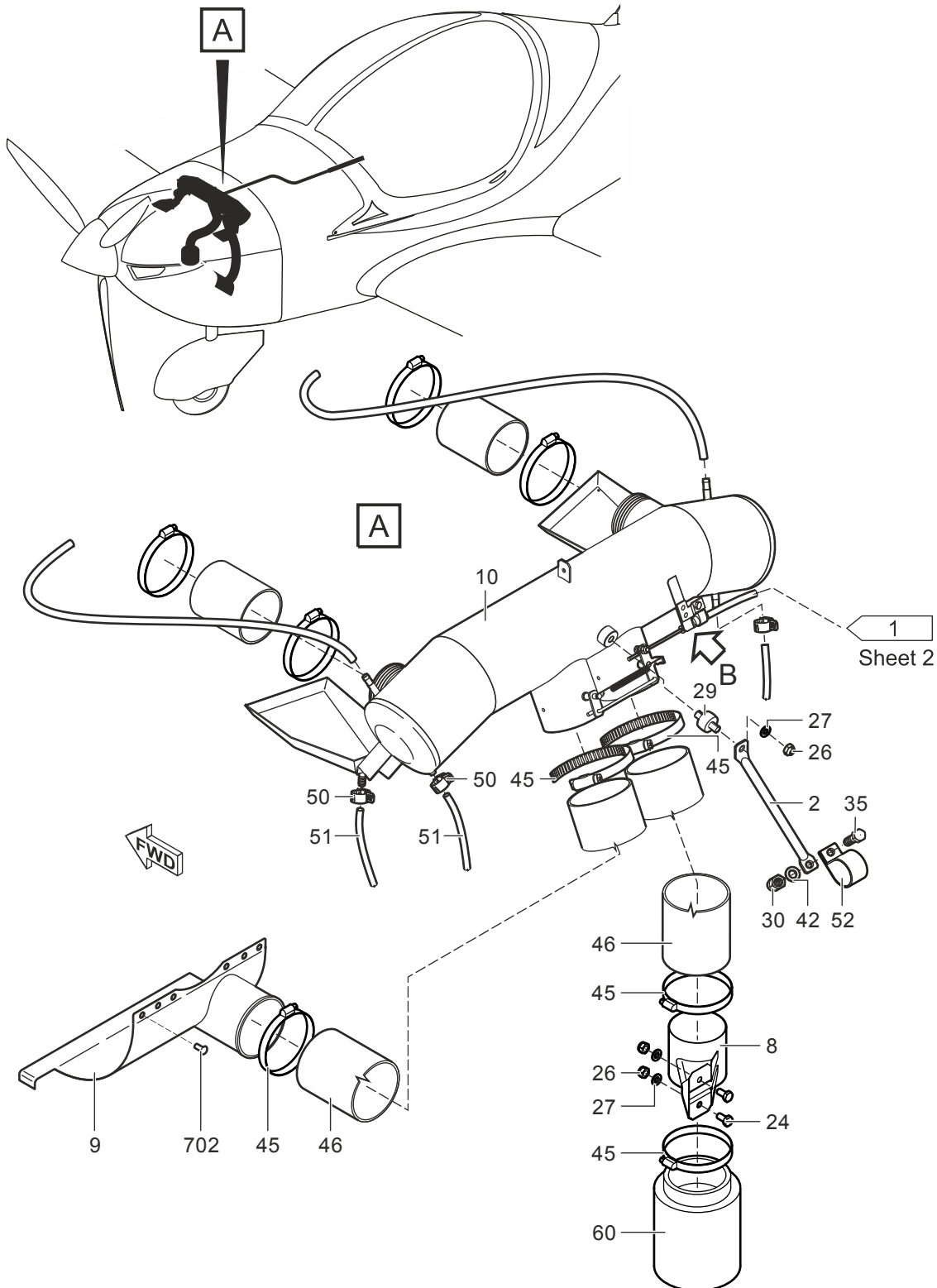
Index of Figures

Page

1	Air intakes installation.....	2
---	-------------------------------	---

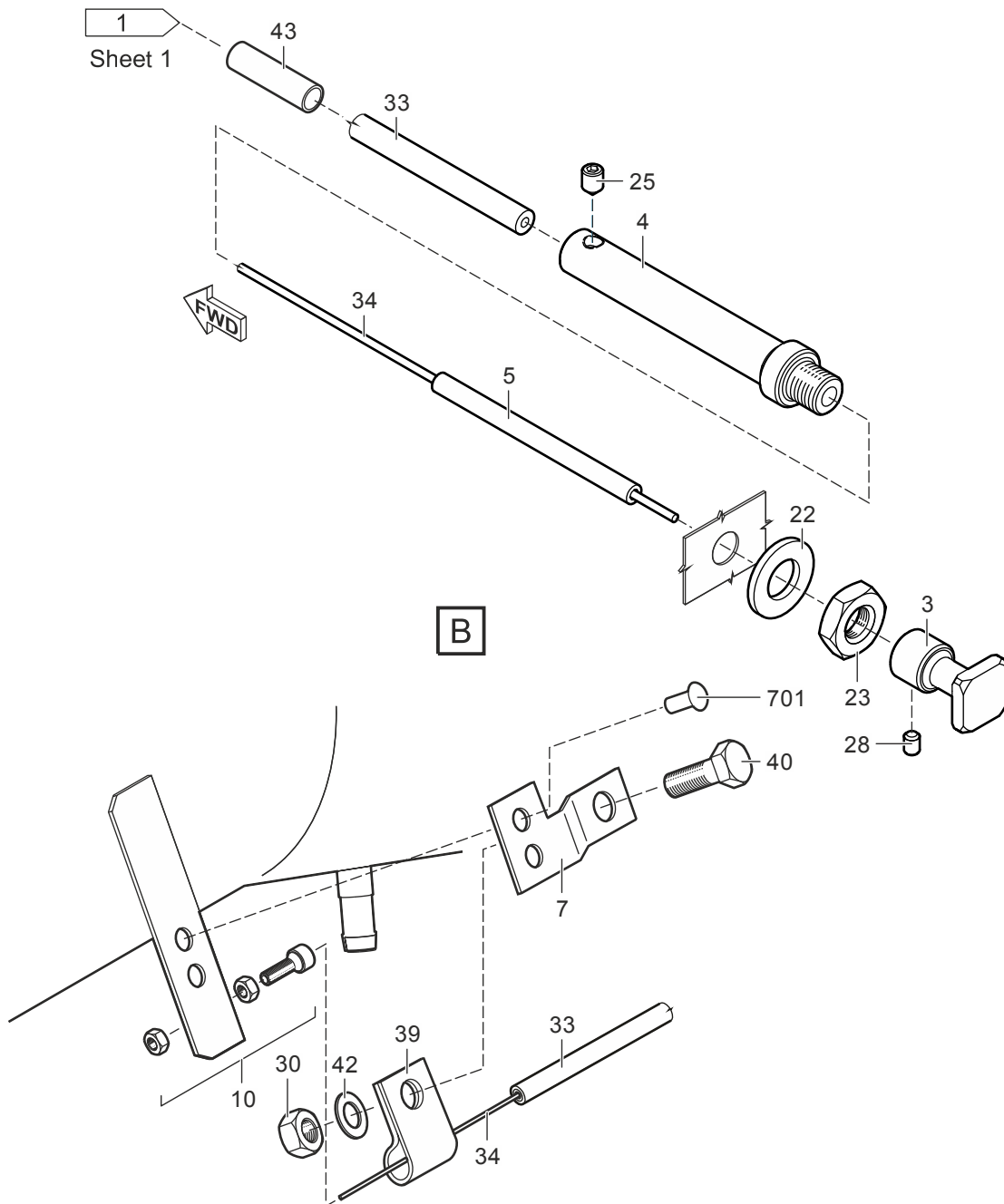
References*Table 1 References*

Data module/Technical publication	Title
None	



ICN-SPORTSTAR-A-71-60-00-E-0396G-00017-A-001-01.CGM

Figure 1: Air intakes installation (Sheet 1 of 2)



ICN-SPORTSTAR-A-71-60-00-E-0396G-00018-A-001-01.CGM

Figure 1: Air intakes installation (Sheet 2 of 2)

Fig.	Item	Units per assembly / Units of issue	NCAGE	Part Number NATO Stock Number	Nomenclature	*Usable on code assy •MV/Effect	I C Y
1A							
-	0	1	0396G	S6 14-20 01	Air intakes		
	2	1	0396G	E6 10-19 21	• Strut		
	3	1	0396G	S6 14-20 21	• Knob		
	4	1	0396G	S6 16-01 21	• Body		
	5	1	0396G	S6 16-02 21	• Bowden hose		
	7	1	0396G	766447	• Bowden holder		
	8	1	0396G	E6 10-02 01	• Air filter bracket		
	9	1	0396G	S6 13-02 01	• Heat exchanger		
	10	1	0396G	766083	• Airbox		
	22	1	0396G	038208 (ISO 7089)	• Washer 8.4		
	23	1	0396G	031552 (ISO 4035)	• Nut M8		
	24	2	0396G	001299 (ISO 4017)	• Screw M6x12		
	25	1	0396G	011202 (ISO 4027)	• Screw M4x6		
	26	3	0396G	033860 (DIN 980 V)	• Nut M6		
	27	3	0396G	038206 (ISO 7089)	• Washer 6.4		
	28	1	0396G	011900 (ISO 4026)	• Screw M3x4		
	29	1	0396G	796099	• Silentblock		
	30	2	0396G	033850 (DIN 980 V)	• Nut M4		
	33	AR	0396G	059275	• Bowden hose		

Fig.	Item	Units per assembly / Units of issue	NCAGE	Part Number NATO Stock Number	Nomenclature	*Usable on code assy •MV/Effect	I C Y
1A							
	34	AR	0396G	129825 (EN 10270-2)	• Wire diam. 1.6 mm		
	35	1	0396G	001295 (ISO 4017)	• Screw M4x12		
	39	1	0396G	059801	• Clamp		
	40	1	0396G	001691 (ISO 4017)	• Screw M4x10		
	42	2	0396G	038204 (ISO 7089)	• Washer 4.3		
	43	AR	0396G	083960	• Tube 8x1		
-	44	12	0396G	060333	• Cable tie		
	45	4	0396G	055621 (DIN 3017)	• Hose clamp		
	46	AR	0396G	056474	• Air hose		
	50	4	0396G	074503	• Hose clamp Cobra 10.0/7 W4		
	51	3	0396G	055624	• Hose		
	52	1	0396G	059651	• Clamp		
	60	1	0396G	766100	• Air filter		
-	500	AR	0396G	096215	• Adhesive Loctite 648		
-	501	AR	D8908	096270	• Activator Loctite 7471		
	701	2	0396G	047560 (AVDEL 1691-0410)	• Rivet 3.2x7.9		
	702	9	0396G	047554 (AVDEL BE61-0408)	• Rivet 3.2x6.4		

This page has been intentionally left blank.

Engine cooling

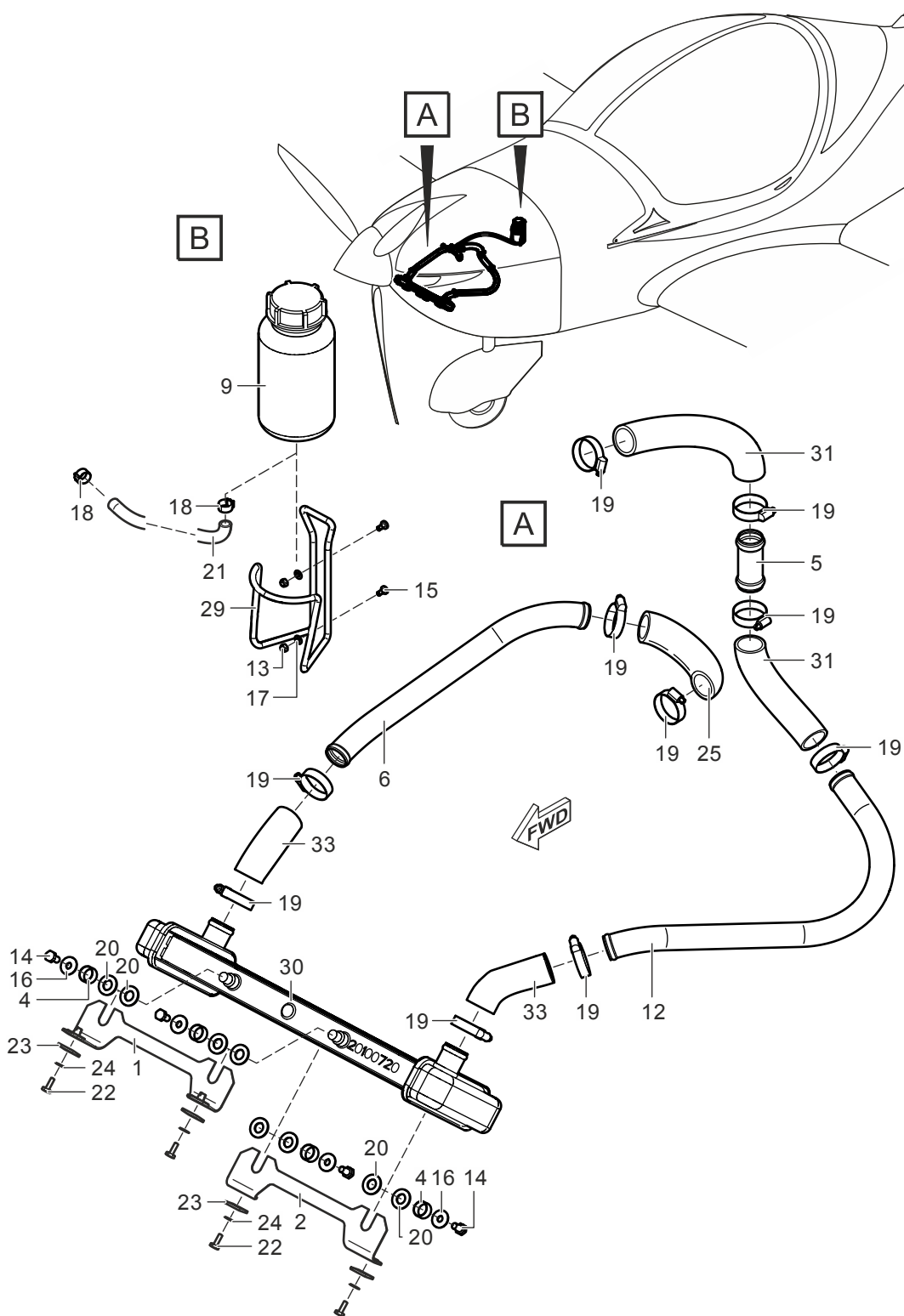
Illustrated parts data

Table of Contents	Page
Engine cooling - Illustrated parts data.....	1
Index of Tables	Page
1 References.....	1
Index of Figures	Page
1 Engine cooling installation.....	2

References

Table 1 References

Data module/Technical publication	Title
None	



ICN-SPORTSTAR-A-75-00-00-E-0396G-00011-A-001-01.CGM
 Figure 1: Engine cooling installation

Fig.	Item	Units per assembly / Units of issue	NCAGE	Part Number NATO Stock Number	Nomenclature	*Usable on code assy •MV/Effect	I C Y
1A							
-	0	1	0396G	S6 14-10 01	Engine cooling installation		
	1	1	0396G	E6 55-57 01	• Cooler upper holder		
	2	1	0396G	S6 14-11 01	• Cooler lower holder		
	4	4	0396G	766556	• Spacing tube		
	5	1	0396G	766557	• Connector		
	6	1	0396G	E6 14-11 21	• Tubing		
	9	1	0396G	E6 14-13 01	• Overflow bottle		
-	10	40	0396G	060333	• Cable tie		
-	11	14	0396G	060371	• Cable tie		
	12	1	0396G	E6 14-10 21	• Tubing		
	13	2	0396G	033850 (DIN 980 V)	• Nut M4		
	14	4	0396G	E6 14-14 21	• Screw		
	15	2	0396G	014544	• Screw M4x10		
	16	4	0396G	036747 (ISO 7093)	• Washer 6.4		
	17	8	0396G	038204 (ISO 7089)	• Washer 4.3		
	18	2	0396G	074508	• Hose clamp Cobra 12.0/8 W4		
	19	10	0396G	074524 (DIN 3017)	• Hose clamp		
	20	8	0396G	038225 (ISO 7089)	• Washer 10.5		
	21	AR	0396G	056299	• Fuel hose Super-Flex FL7		
	22	4	0396G	004986	• Screw M4x16		

Applicability: All

SPORTSTAR-A-75-00-00-01A-941A-D

Fig.	Item	Units per assembly / Units of issue	NCAGE	Part Number NATO Stock Number	Nomenclature	*Usable on code assy •MV/Effect	I C Y
1A							
	23	4	0396G	E6 14-12 21	• Washer		
	24	4	0396G	038237 (ISO 7089)	• Washer 3.7		
	25	AR	0396G	766045	• Hose		
-	26	AR	0396G	056445	• Protecting hose		
-	27	AR	0396G	056446	• Protecting hose		
-	28	AR	0396G	056447	• Protecting hose		
	29	1	0396G	766021	• Overflow bottle holder		
	30	1	0396G	766052	• Cooler		
	31	2	0396G	766059 (ROTAX 922-381)	• Rubber elbow 90 deg.		
	33	2	0396G	766058 (ROTAX 922-113)	• Rubber elbow 110 deg.		
-	701	AR	0396G	096243	• Adhesive Loctite 406		

Throttle control

Illustrated parts data

Table of Contents

	Page
Throttle control - Illustrated parts data.....	1

Index of Tables

	Page
1 References.....	1

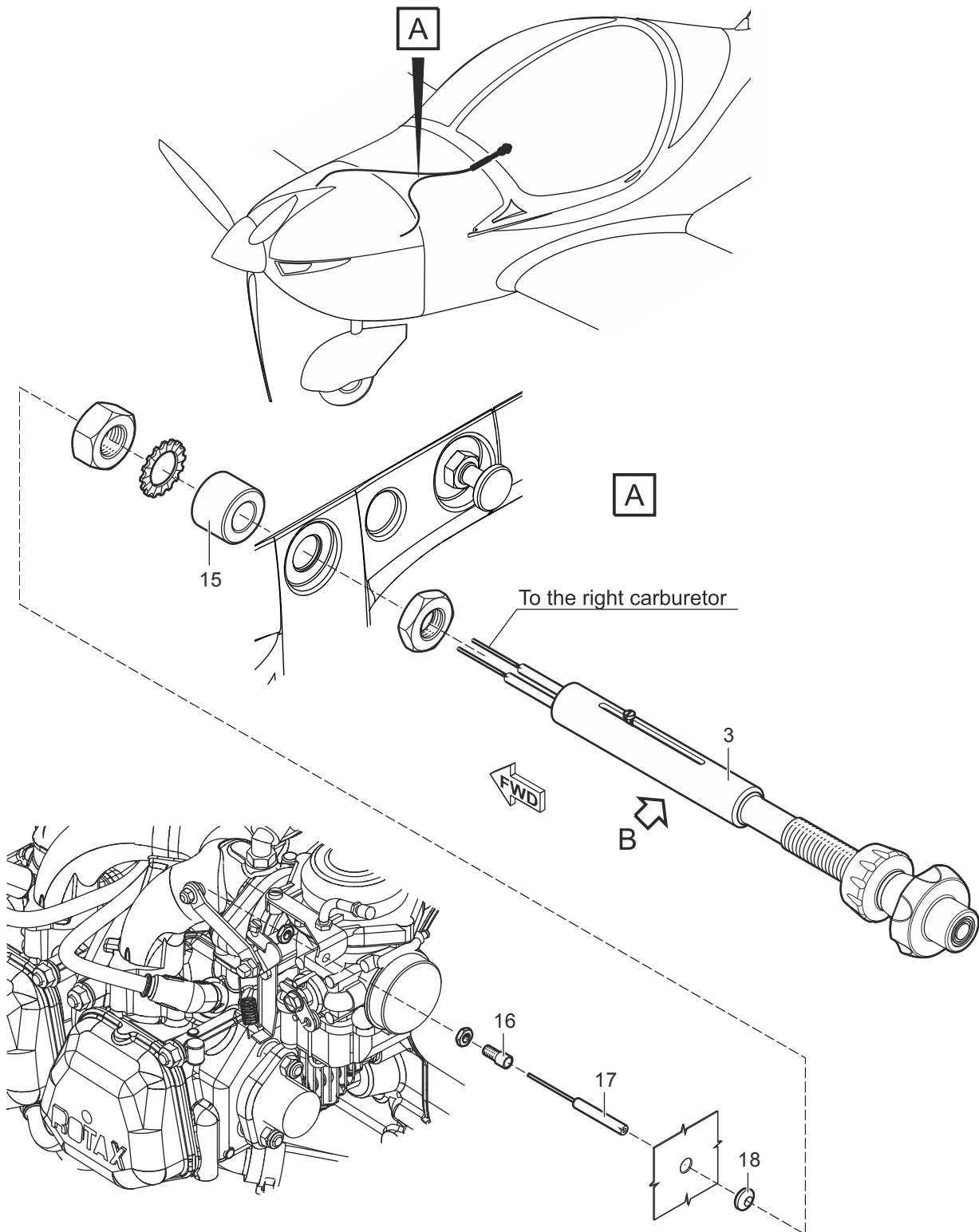
Index of Figures

	Page
1 Throttle control.....	2

References

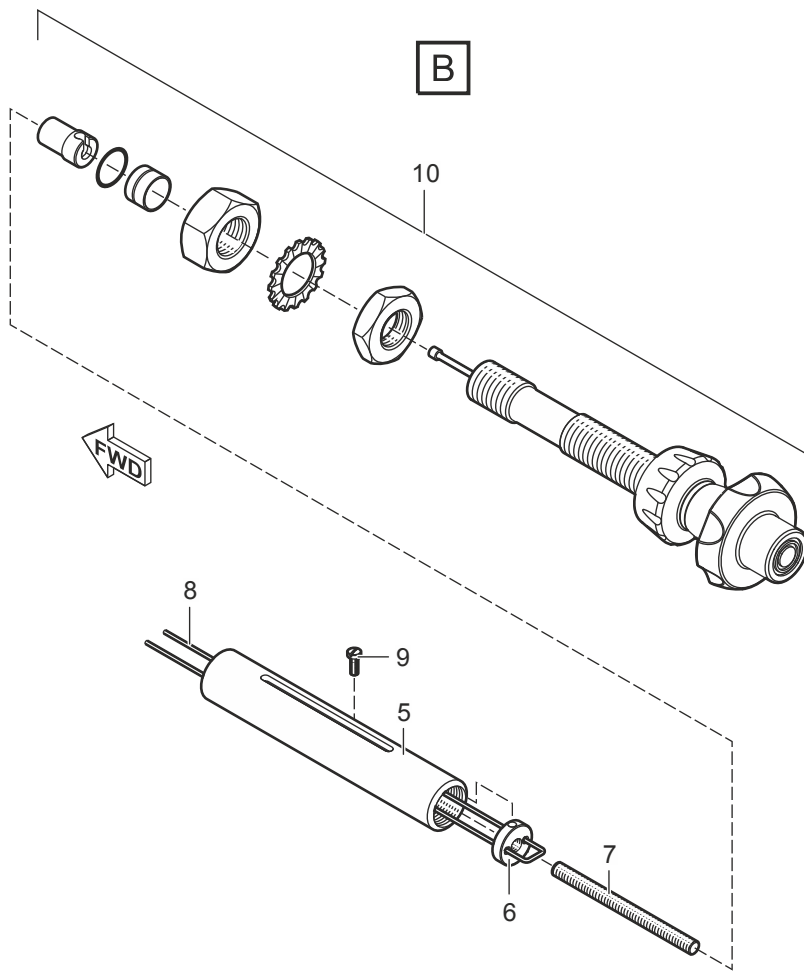
Table 1 References

Data module/Technical publication	Title
None	



ICN-SPORTSTAR-A-76-10-00-E-0396G-00169-A-001-01.CGM

Figure 1: Throttle control (Sheet 1 of 2)



ICN-SPORTSTAR-A-76-10-00-E-0396G-00170-A-001-01.CGM

Figure 1: Throttle control (Sheet 2 of 2)

Fig.	Item	Units per assembly / Units of issue	NCAGE	Part Number NATO Stock Number	Nomenclature	*Usable on code assy •MV/Effect	I C Y
1A							
-	0	1	0396G	E6 04-06 01	Throttle control		
	3	1	0396G	E6 06-01 01	• Throttle control - assembly		
	5	1	0396G	E6 06-02 21	•• Throttle cable guide		
	6	1	0396G	E6 06-03 21	•• Nut		
	7	1	0396G	E6 06-05 21	•• Screw		

Fig.	Item	Units per assembly / Units of issue	NCAGE	Part Number NATO Stock Number	Nomenclature	*Usable on code assy •MV/Effect	I C Y
1A							
	8	AR	0396G	058001 (EN 12385-4)	• • Single strand steel cable 1.6		
	9	1	0396G	011886 (ISO 7045)	• • Screw M4x10		
	10	1	0396G	766408	• • Throttle control		
	15	1	0396G	E6 06-04 21	• Insert		
	16	2	0396G	058950	• Bowden hose termination		
	17	AR	0396G	059275	• Bowden hose		
	18	2	0396G	076809	• Bushing 5.5x1		
-	700	AR	D8908	096249	• Adhesive Loctite 577		
-	710	AR	0396G	096271	• Activator Loctite 7649		

Throttle control (Vernier)

Illustrated parts data

Table of Contents	Page
Throttle control (Vernier) - Illustrated parts data.....	1

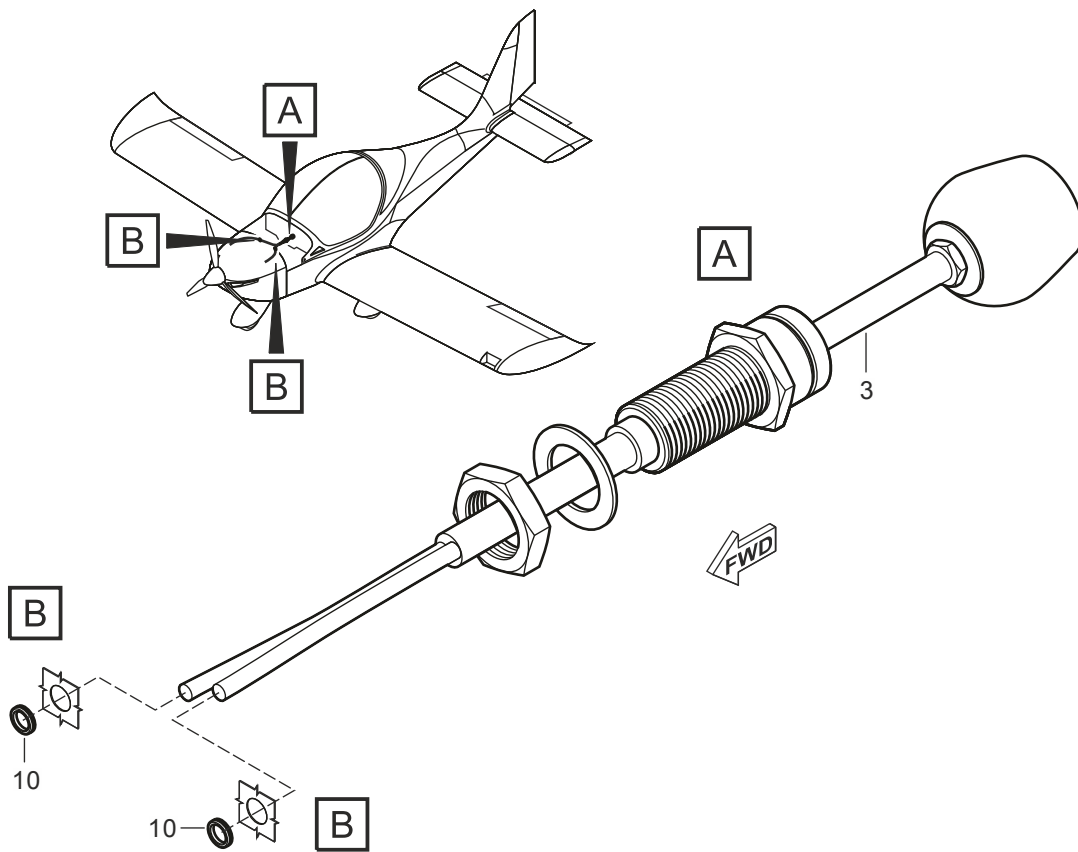
Index of Tables	Page
1 References.....	1

Index of Figures	Page
1 Throttle control - Vernier.....	2

References

Table 1 References

Data module/Technical publication	Title
None	



ICN-SPORTSTAR-A-76-10-00-E-0396G-00215-A-000-01.CGM

Figure 1: Throttle control - Vernier

Fig.	Item	Units per assembly / Units of issue	NCAGE	Part Number NATO Stock Number	Nomenclature	*Usable on code assy •MV/Effect	I C Y
1A							
-	0	1	0396G	S6 04-07 01	Throttle control - Vernier		
	3	1	0396G	766395	• Throttle control Vernier		
	10	2	0396G	076809	• Bushing 5.5x1		

Choke control

Illustrated parts data

Table of Contents

	Page
Choke control - Illustrated parts data.....	1

Index of Tables

	Page
1 References.....	1

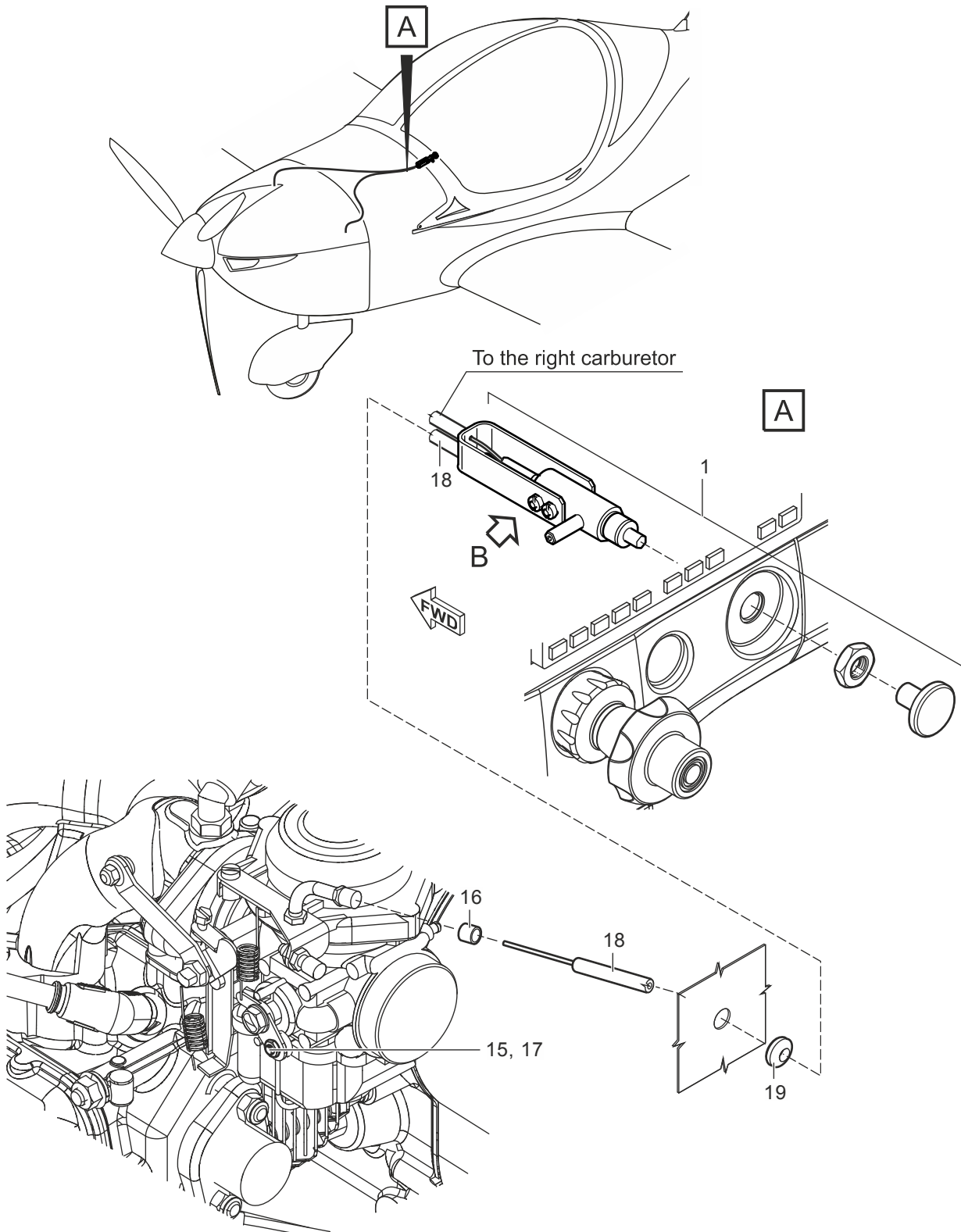
Index of Figures

	Page
1 Choke control.....	2

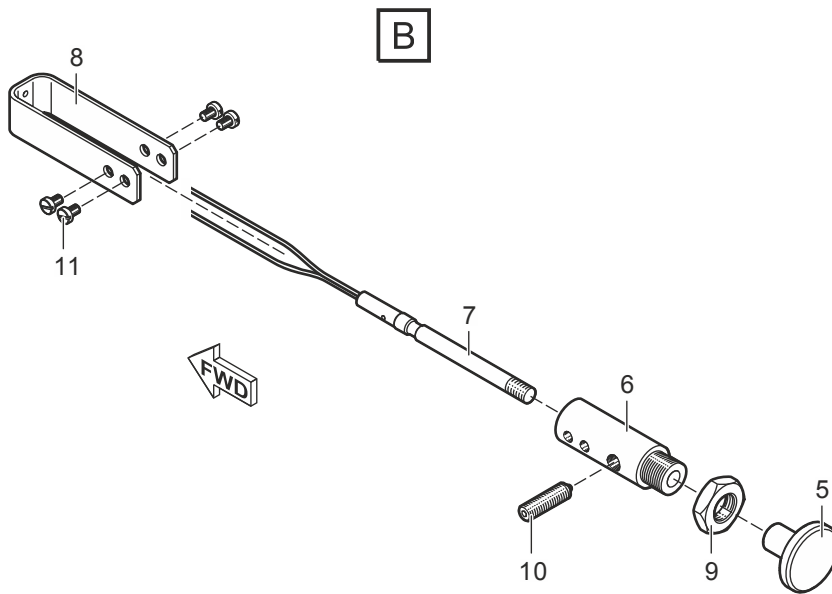
References

Table 1 References

Data module/Technical publication	Title
None	



ICN-SPORTSTAR-A-76-11-00-E-0396G-00171-A-001-01.CGM
 Figure 1: Choke control (Sheet 1 of 2)



ICN-SPORTSTAR-A-76-11-00-E-0396G-00172-A-001-01.CGM

Figure 1: Choke control (Sheet 2 of 2)

Fig.	Item	Units per assembly / Units of issue	NCAGE	Part Number NATO Stock Number	Nomenclature	*Usable on code assy •MV/Effect	I C Y
1A							
-	0	1	0396G	E6 04-18 01	Choke control		
	1	1	0396G	E6 05-07 01	• Choke		
	5	1	0396G	E6 05-10 21	•• Handle		
	6	1	0396G	E6 05-09 21	•• Body		
	7	1	0396G	E6 05-08 01	•• Control rod assembled		
	8	1	0396G	E6 05-12 21	•• Endstop		
	9	1	0396G	031850 (ISO 4032)	•• Nut M12		
	10	1	0396G	393185	•• Spring plunger		
	11	4	0396G	010974 (ISO 7045)	•• Screw M4x5		
	15	2	0396G	766431	• Tube fitting		
	16	2	0396G	058950	• Bowden hose termination		

Applicability: All

SPORTSTAR-A-76-11-01-01A-941A-D



Fig.	Item	Units per assembly / Units of issue	NCAGE	Part Number NATO Stock Number	Nomenclature	*Usable on code assy •MV/Effect	I C Y
1A							
	17	2	0396G	011202 (ISO 4027)	• Screw M4x6		
	18	AR	0396G	059275	• Bowden hose		
-	19	2	0396G	076809	• Bushing 5.5x1		

Engine instruments

Illustrated parts data

Table of Contents

	Page
Engine instruments - Illustrated parts data.....	1

Index of Tables

	Page
1 References.....	1

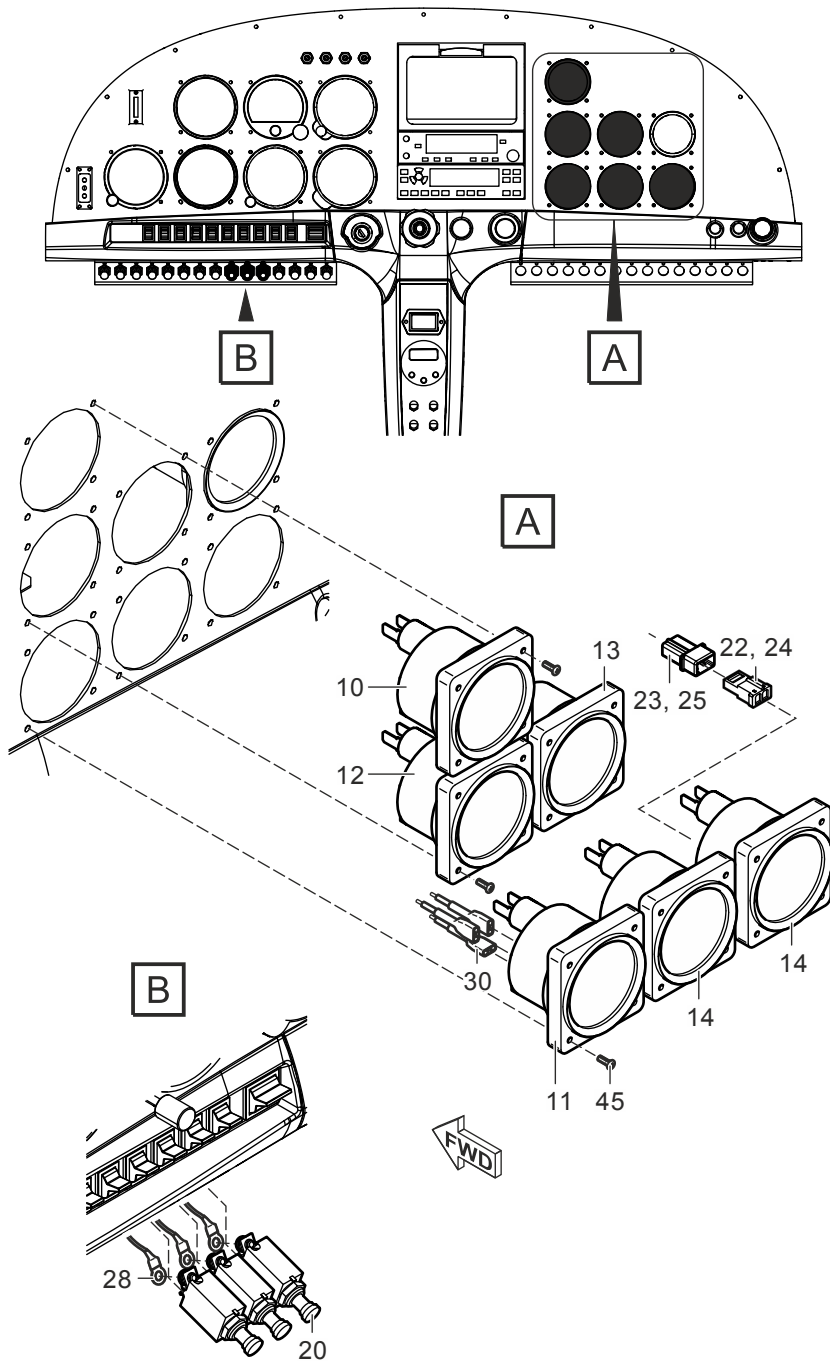
Index of Figures

	Page
1 Engine instruments.....	2

References

Table 1 References

Data module/Technical publication	Title
None	



ICN-SPORTSTAR-A-77-00-00-E-0396G-00104-A-001-01.CGM
 Figure 1: Engine instruments

Fig.	Item	Units per assembly / Units of issue	NCAGE	Part Number NATO Stock Number	Nomenclature	*Usable on code assy •MV/Effect	I C Y
1A							
-	0	1	0396G	S7 65-01 01	Engine instruments		
	10	1	0396G	080305 (MITCHEL	• RPM indicator D1-211-5021)		
	11	1	0396G	080311 (MITCHEL	• Oil pressure indicator D1-211-5055)		
	12	1	0396G	080316 (MITCHEL	• Oil temperature indicator D1-211-5084)		
	13	1	0396G	080321 (MITCHEL	• Cooling liquid temperature D1-211-5085) indicator		
	14	2	0396G	080330 (MITCHEL	• Fuel quantity indicator D1-211-5074)		
	20	3	0396G	739585	• Circuit breaker 2TC2-1		
	22	2	0396G	068640	• Connector - socket type		
	23	2	0396G	068641	• Connector - plug type		
	24	4	0396G	068646	• Socket (AWG22-18)		
	25	4	0396G	068648	• Plug (AWG22-18)		
-	28	19	0396G	739772	• Ring cable eye		
	30	20	0396G	068637	• Connector Faston 6.3 (AWG22-16)		
-	35	AR	0396G	739681	• Electrical wire AE22		
-	38	AR	0396G	088086	• Shrink tube RNF-3000		
-	39	AR	0396G	088087	• Shrink tube RNF-3000		
	42	2	0396G	076803	• Bushing 4.5x1		
-	43	2	0396G	076950	• Bushing 13x1		
	45	24	0396G	023805	• Screw 6-32x0.75"		

This page has been intentionally left blank.

Manifold pressure indiactor

Illustrated parts data

Table of Contents	Page
Manifold pressure indiactor - Illustrated parts data.....	1

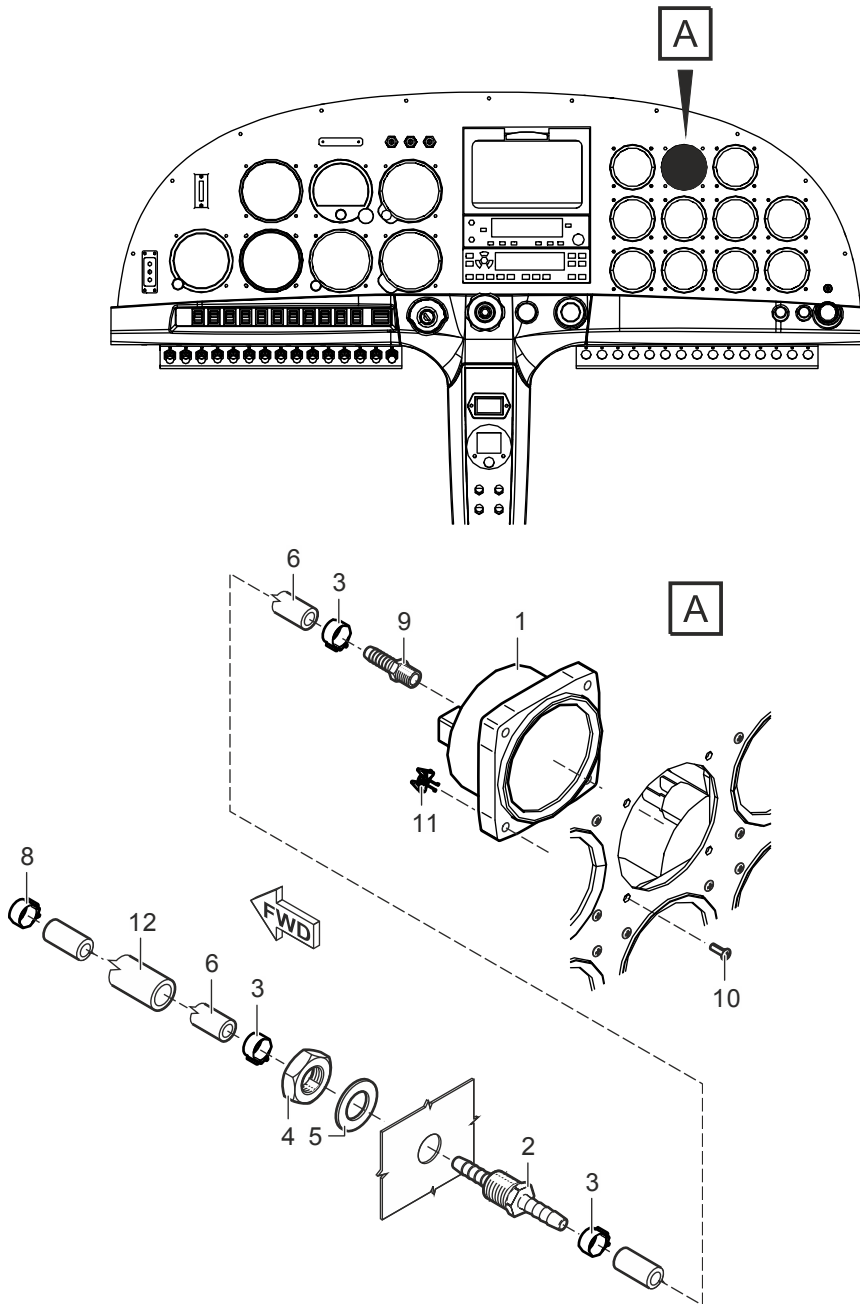
Index of Tables	Page
1 References.....	1

Index of Figures	Page
1 Manifold pressure indicator.....	2

References

Table 1 References

Data module/Technical publication	Title
None	



ICN-SPORTSTAR-A-77-10-00-E-0396G-00139-A-001-01.CGM

Figure 1: Manifold pressure indicator

Fig.	Item	Units per assembly / Units of issue	NCAGE	Part Number NATO Stock Number	Nomenclature	*Usable on code assy •MV/Effect	I C Y
------	------	-------------------------------------	-------	-------------------------------	--------------	---------------------------------	-------

1A	-	0	1	0396G	E7 24-01 01	Manifold pressure indicator	
----	---	---	---	-------	-------------	-----------------------------	--

Applicability: All

SPORTSTAR-A-77-10-01-01A-941A-D

Fig.	Item	Units per assembly / Units of issue	NCAGE	Part Number NATO Stock Number	Nomenclature	*Usable on code assy •MV/Effect	I C Y
1A							
	1	1	0396G	080285	• Manifold pressure indicator		
	2	1	0396G	766406	• Bushing		
	3	3	0396G	074508	• Hose clamp Cobra 12.0/8 W4		
	4	1	0396G	031651 (ISO 4035)	• Nut M10		
	5	1	0396G	038225 (ISO 7089)	• Washer 10.5		
	6	AR	0396G	056299	• Fuel hose Super-Flex FL7		
-	7	5	0396G	060332	• Cable tie		
	8	1	0396G	074506	• Hose clamp Cobra 11.0/7 W4		
	9	1	0396G	079896	• Hose connection		
	10	4	0396G	023805	• Screw 6-32x0.75"		
	11	4	0396G	739971	• Nut		
	12	3	0396G	055607	• Protecting hose		
-	13	AR	0396G	118898 (ASTM A580 COND A)	• Lockwire dia. 0.81 mm (0.032 in)		

This page has been intentionally left blank.

Exhaust

Illustrated parts data

Table of Contents	Page
Exhaust - Illustrated parts data.....	1

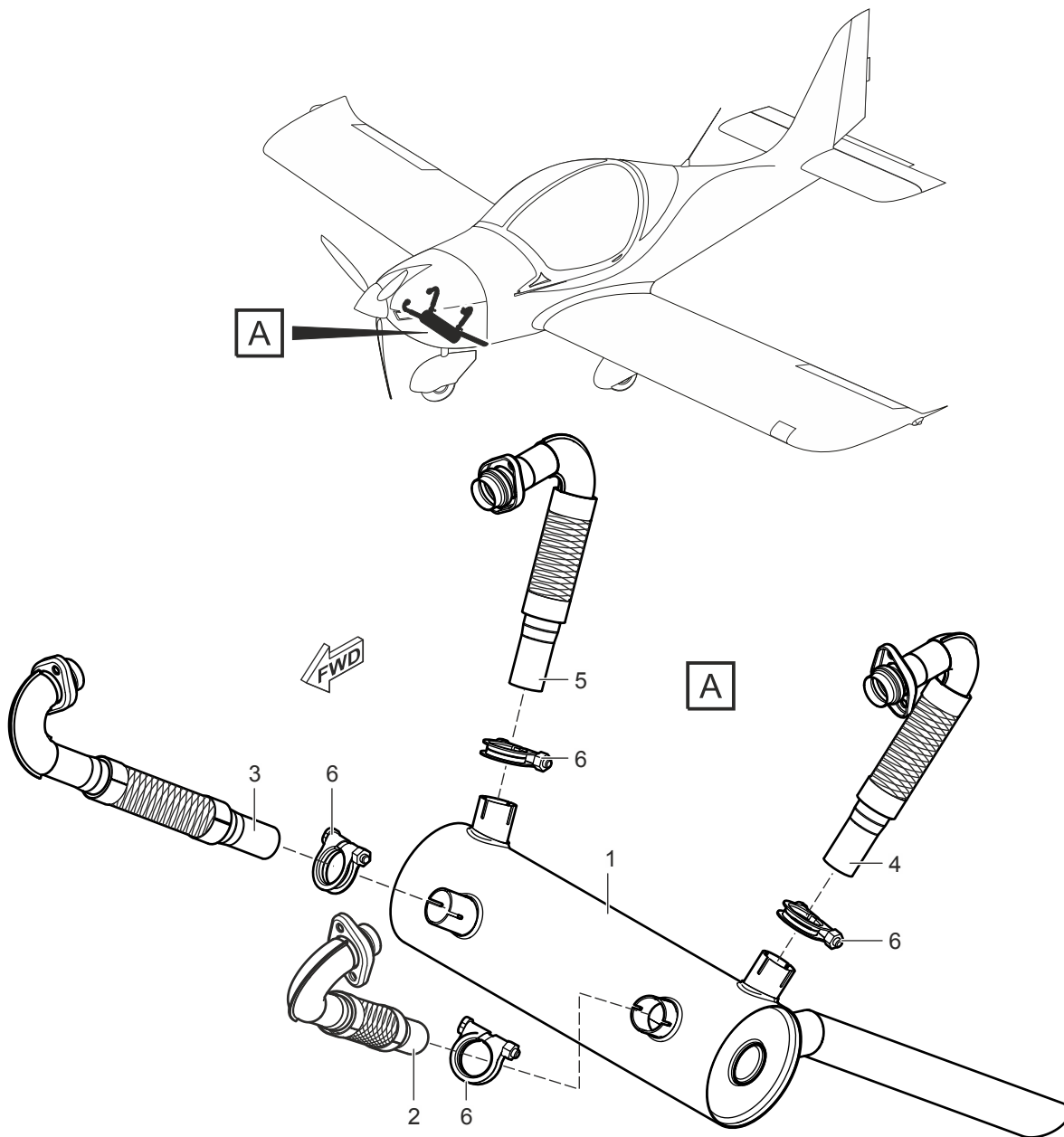
Index of Tables	Page
1 References.....	1

Index of Figures	Page
1 Exhaust.....	2

References

Table 1 References

Data module/Technical publication	Title
None	



ICN-SPORTSTAR-A-78-00-00-E-0396G-00004-A-001-01.CGM

Figure 1: Exhaust

Fig.	Item	Units per assembly / Units of issue	NCAGE	Part Number NATO Stock Number	Nomenclature	*Usable on code assy •MV/Effect	I C Y
1A							
-	0	1	0396G	E6 18-15 01	Exhaust		
	1	1	0396G	E6 18-10 01	• Exhaust collector		

Applicability: All

SPORTSTAR-A-78-00-00-01A-941A-D

Fig.	Item	Units per assembly / Units of issue	NCAGE	Part Number NATO Stock Number	Nomenclature	*Usable on code assy •MV/Effect	I C Y
1A							
	2	1	0396G	E6 18-11 01	• Exhaust pipe - front left		
	3	1	0396G	E6 18-12 01	• Exhaust pipe - front right		
	4	1	0396G	E6 18-13 01	• Exhaust pipe - rear left		
	5	1	0396G	E6 18-14 01	• Exhaust pipe - rear right		
	6	4	0396G	074350	• Normaconnect pipe connection		

This page has been intentionally left blank.

Noise suppressor***Illustrated parts data*****Table of Contents**

Page

Noise suppressor - Illustrated parts data.....	1
--	---

Index of Tables

Page

1	References.....	1
---	-----------------	---

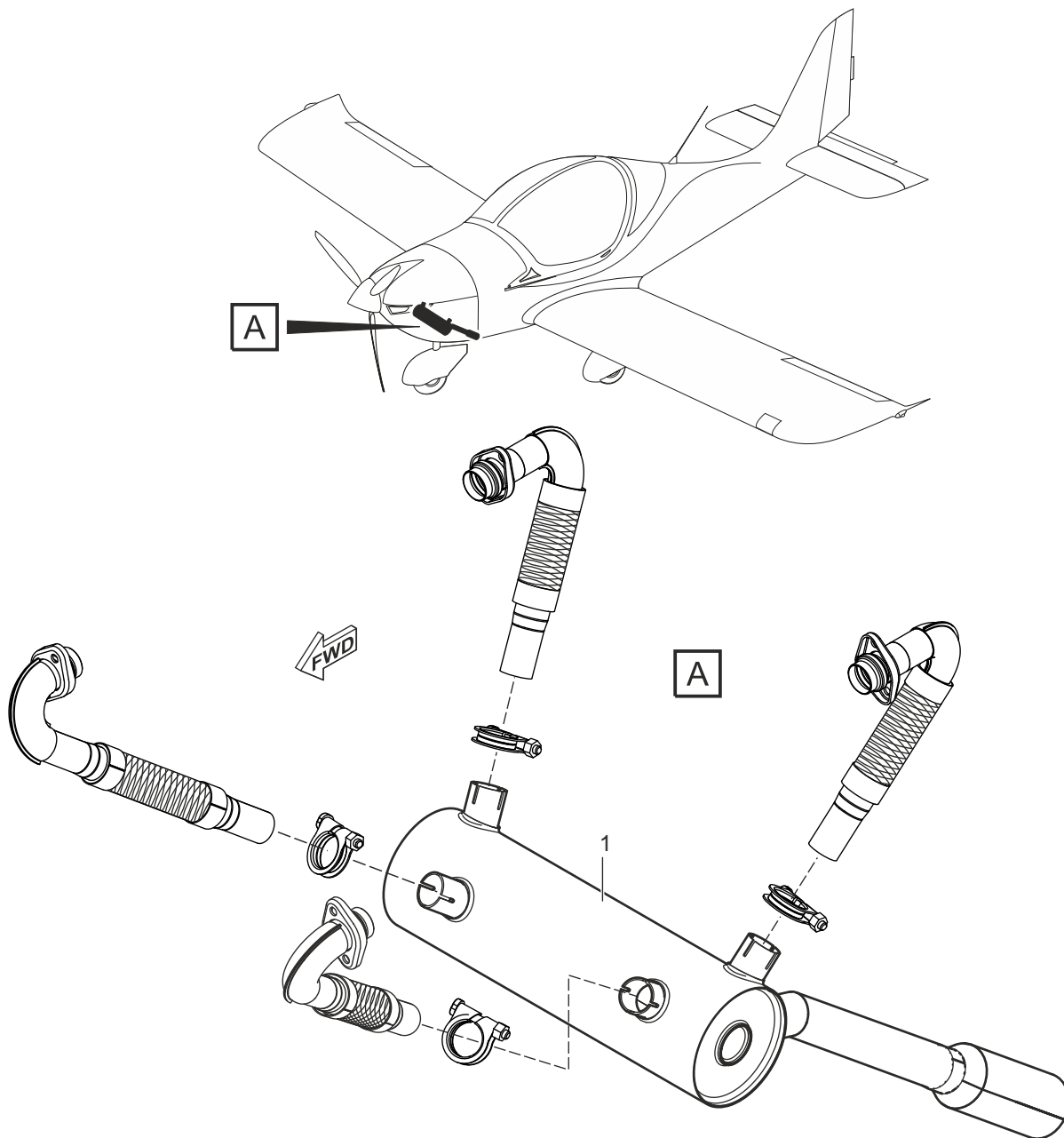
Index of Figures

Page

1	Exhaust silencer installation.....	2
---	------------------------------------	---

References*Table 1 References*

Data module/Technical publication	Title
None	



ICN-SPORTSTAR-A-78-20-00-E-0396G-00007-A-001-01.CGM

Figure 1: Exhaust silencer installation

Fig.	Item	Units per assembly / Units of issue	NCAGE	Part Number NATO Stock Number	Nomenclature	*Usable on code assy •MV/Effect	I C Y
1A	-	0	1	0396G	E6 18-16 01	Exhaust silencer installation	

Applicability: All

SPORTSTAR-A-78-20-00-01A-941A-D



Fig.	Item	Units per assembly / Units of issue	NCAGE	Part Number NATO Stock Number	Nomenclature	*Usable on code assy •MV/Effect	I C Y
<hr/>							
1A							
	1	1	0396G	E6 10-11 01	• Exhaust with silencer		

This page has been intentionally left blank.

Oil system

Illustrated parts data

Table of Contents

	Page
Oil system - Illustrated parts data.....	1

Index of Tables

	Page
1 References.....	1

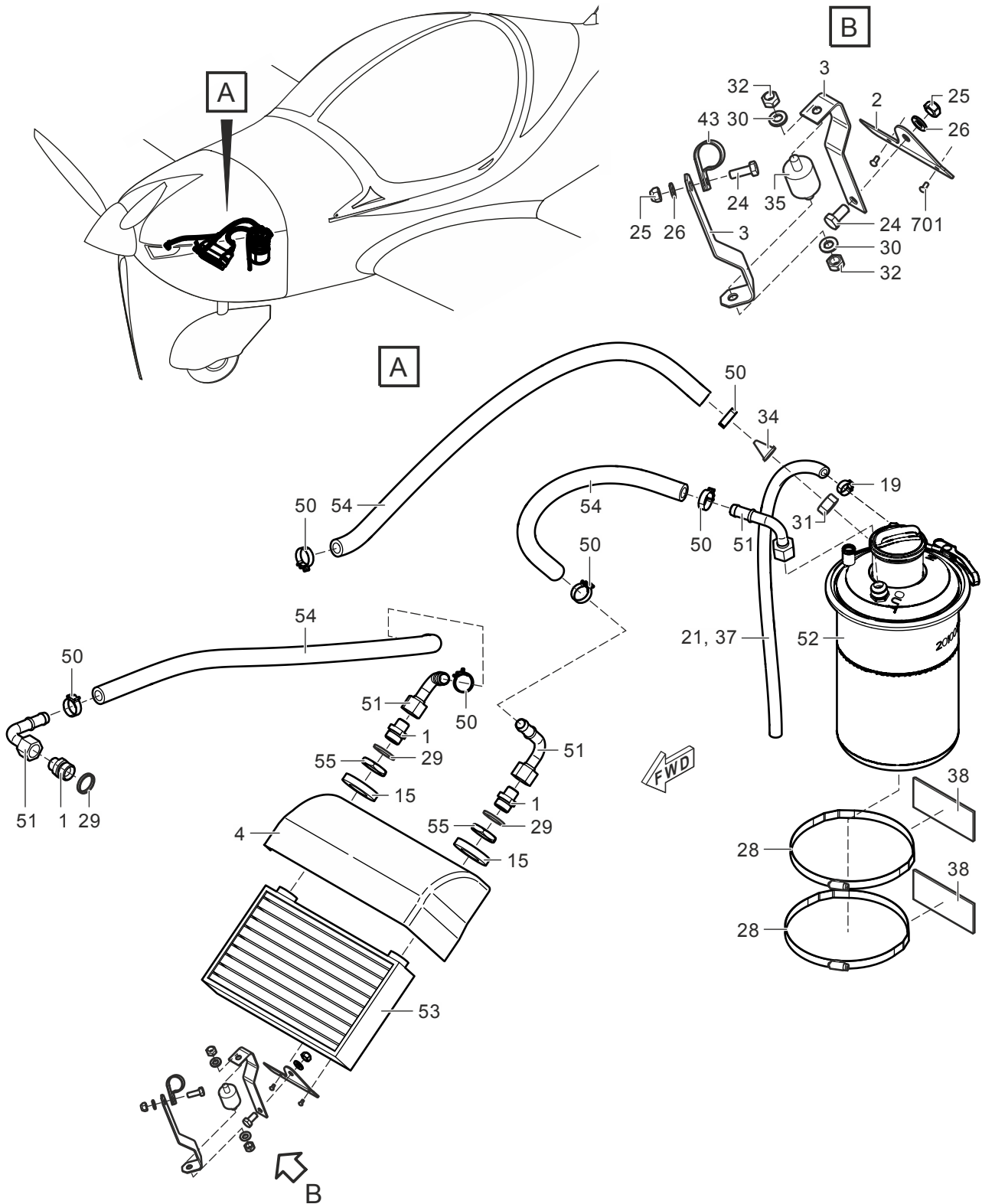
Index of Figures

	Page
1 Oil system - original version.....	2

References

Table 1 References

Data module/Technical publication	Title
None	



ICN-SPORTSTAR-A-79-00-00-E-0396G-00009-A-001-01.CGM

Figure 1: Oil system - original version

Fig.	Item	Units per assembly / Units of issue	NCAGE	Part Number NATO Stock Number	Nomenclature	*Usable on code assy •MV/Effect	I C Y
1A							
-	0	1	0396G	S6 10-30 01 (ORIGINAL)	Oil system - original version		
	1	3	0396G	E6 10-06 21	• Reduction piece 14-18		
	2	1	0396G	E6 65-04 21	• Cooler holder		
	3	2	0396G	E6 65-05 21	• Cooler strut		
	4	1	0396G	E6 10-31 01	• Cooler cover		
	15	2	0396G	E6 10-29 21	• Washer		
	19	1	0396G	074509	• Hose clamp		
	21	AR	0396G	056300	• Fuel hose		
	24	2	0396G	001690 (ISO 4017)	• Screw M5x14		
	25	2	0396G	033855 (DIN 980 V)	• Nut M5		
	26	2	0396G	038193 (ISO 7089)	• Washer 5.3		
	28	2	0396G	051660 (DIN 3017)	• Clamp		
	29	3	0396G	054100 (CSN 02 9310.3)	• Sealing ring 14x18		
	30	2	0396G	038206 (ISO 7089)	• Washer 6.4		
	31	1	0396G	052600 (CSN 13 7952.41)	• Nut M10		
	32	2	0396G	033860 (DIN 980 V)	• Nut M6		
	34	1	0396G	051950 (CSN 13 7948)	• Sealing cone		
	35	1	0396G	796099	• Silentblock		

Fig.	Item	Units per assembly / Units of issue	NCAGE	Part Number NATO Stock Number	Nomenclature	*Usable on code assy •MV/Effect	I C Y
1A							
-	37	5	0396G	060332	• Cable tie		
	38	AR	0396G	085897	• Rubber pad		
	43	1	0396G	059701	• Clamp 1x18		
	50	6	0396G	090103 (ROTAX 853-725)	• Hose clamp		
	51	4	0396G	090162 (ROTAX 956-580)	• Screw fitting		
	52	1	0396G	090101 (ROTAX 956-501)	• Oil tank		
	53	1	0396G	766007	• Oil cooler		
	54	AR	0396G	766096 (ROTAX 956390)	• Hose		
	55	2	0396G	090106 (ROTAX 242-871)	• Nut M22x1.5		
	701	2	0396G	047560 (AVDEL 1691-0410)	• Rivet 3.2x7.9		
-	702	AR	D8908	096249	• Adhesive Loctite 577		
-	703	AR	D8908	096270	• Activator Loctite 7471		

Oil system

Illustrated parts data

Table of Contents

	Page
Oil system - Illustrated parts data.....	1

Index of Tables

	Page
1 References.....	1

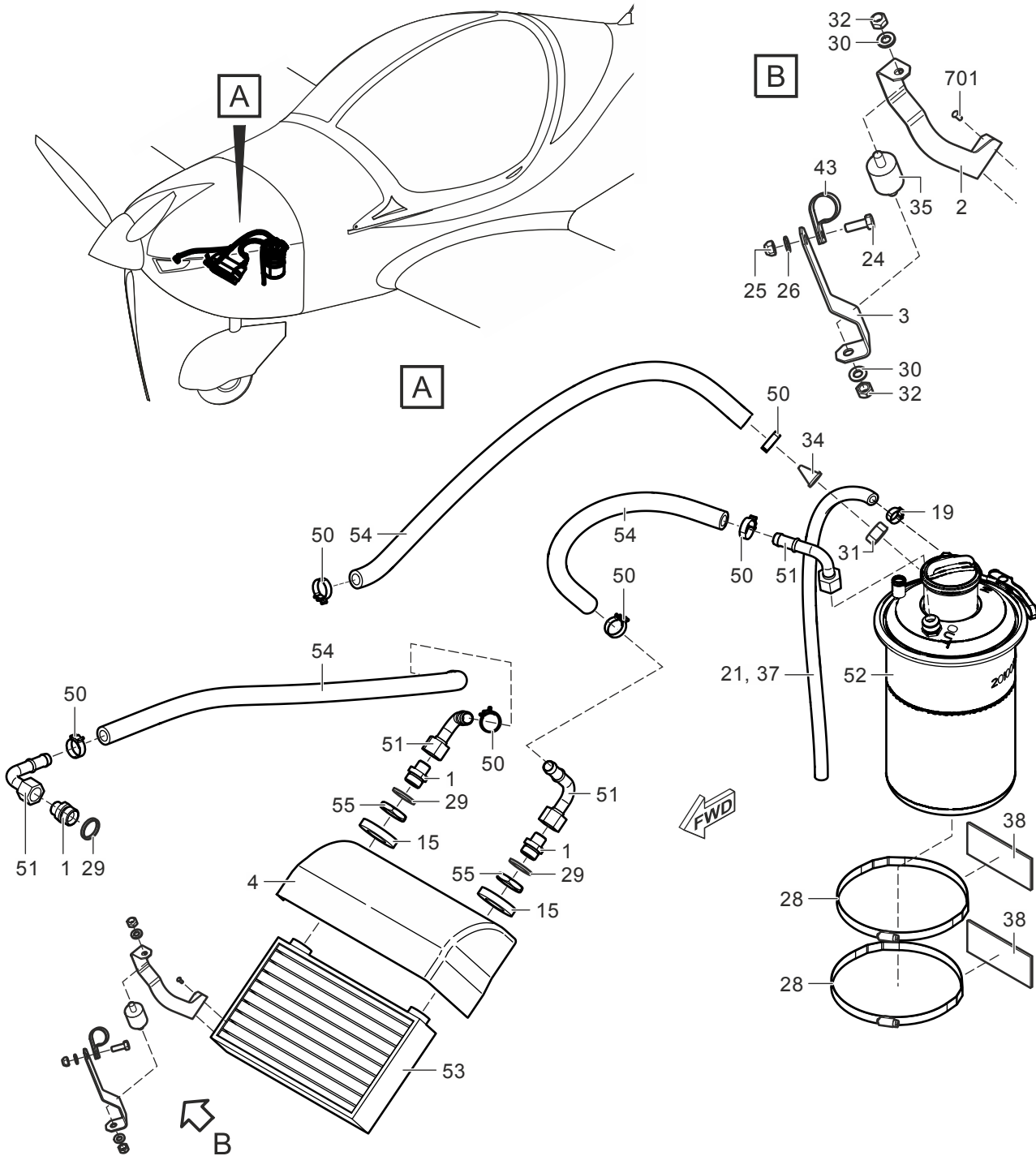
Index of Figures

	Page
1 Oil system - new version.....	2

References

Table 1 References

Data module/Technical publication	Title
None	



ICN-SPORTSTAR-A-79-00-00-E-0396G-00010-A-001-01.CGM
 Figure 1: Oil system - new version

Fig.	Item	Units per assembly / Units of issue	NCAGE	Part Number NATO Stock Number	Nomenclature	*Usable on code assy •MV/Effect	I C Y
1B							
-	0	1	0396G	S6 10-30 01 (NEW)	Oil system - new version		
	1	3	0396G	E6 10-06 21	• Reduction piece 14-18		
	2	1	0396G	S6 65-09 21	• Cooler bracket		
	3	1	0396G	S6 65-07 21	• Cooler strut		
	4	1	0396G	E6 10-31 01	• Cooler cover		
	15	2	0396G	E6 10-29 21	• Washer		
	19	1	0396G	074509	• Hose clamp		
	21	AR	0396G	056300	• Fuel hose		
	24	2	0396G	001690 (ISO 4017)	• Screw M5x14		
	25	2	0396G	033855 (DIN 980 V)	• Nut M5		
	26	2	0396G	038193 (ISO 7089)	• Washer 5.3		
	28	2	0396G	051660 (DIN 3017)	• Clamp		
	29	3	0396G	054100 (CSN 02 9310.3)	• Sealing ring 14x18		
	30	2	0396G	038206 (ISO 7089)	• Washer 6.4		
	31	1	0396G	052600 (CSN 13 7952.41)	• Nut M10		
	32	2	0396G	033860 (DIN 980 V)	• Nut M6		
	34	1	0396G	051950 (CSN 13 7948)	• Sealing cone		
	35	1	0396G	796099	• Silentblock		

Fig.	Item	Units per assembly / Units of issue	NCAGE	Part Number NATO Stock Number	Nomenclature	*Usable on code assy •MV/Effect	I C Y
1B							
-	37	5	0396G	060332	• Cable tie		
	38	AR	0396G	085897	• Rubber pad		
	43	1	0396G	059701	• Clamp 1x18		
	50	6	0396G	090103 (ROTAX 853-725)	• Hose clamp		
	51	4	0396G	090162 (ROTAX 956-580)	• Screw fitting		
	52	1	0396G	090101 (ROTAX 956-501)	• Oil tank		
	53	1	0396G	766007	• Oil cooler		
	54	AR	0396G	766096 (ROTAX 956390)	• Hose		
	55	2	0396G	090106 (ROTAX 242-871)	• Nut M22x1.5		
	701	2	0396G	047560 (AVDEL 1691-0410)	• Rivet 3.2x7.9		
-	702	AR	D8908	096249	• Adhesive Loctite 577		
-	703	AR	D8908	096270	• Activator Loctite 7471		

Oil system

Illustrated parts data

Table of Contents

	Page
Oil system - Illustrated parts data.....	1

Index of Tables

	Page
1 References.....	1

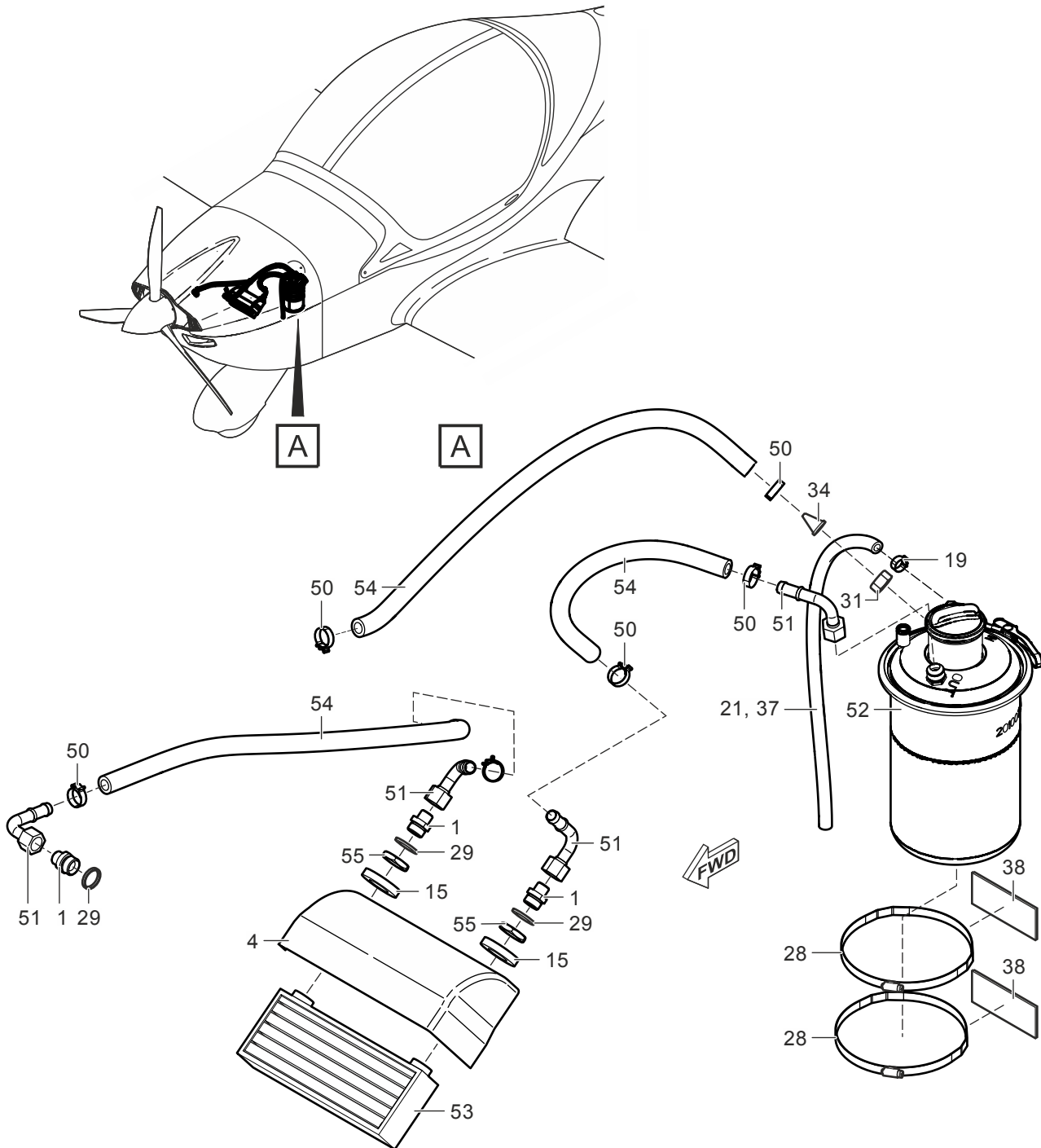
Index of Figures

	Page
1 Oil system - version for new engine cowlings.....	2

References

Table 1 References

Data module/Technical publication	Title
None	



ICN-SPORTSTAR-A-79-00-00-E-0396G-00225-A-000-01.CGM

Figure 1: Oil system - version for new engine cowlings

Fig.	Item	Units per assembly / Units of issue	NCAGE	Part Number NATO Stock Number	Nomenclature	*Usable on code assy •MV/Effect	I C Y
1C							
-	0	1	0396G	S6 10-32 01	Oil system - version for new engine cowlings		
	1	3	0396G	E6 10-06 21	• Reduction piece 14-18		
	4	1	0396G	E6 10-31 01	• Cooler cover		
	15	2	0396G	E6 10-29 21	• Washer		
	19	1	0396G	074509	• Hose clamp		
	21	AR	0396G	056300	• Fuel hose		
	28	2	0396G	051660 (DIN 3017)	• Clamp		
	29	3	0396G	054100 (CSN 02 9310.3)	• Sealing ring 14x18		
	31	1	0396G	052600 (CSN 13 7952.41)	• Nut M10		
	34	1	0396G	051950 (CSN 13 7948)	• Sealing cone		
-	37	5	0396G	060332	• Cable tie		
	38	AR	0396G	085897	• Rubber pad		
	50	6	0396G	090103 (ROTAX 853-725)	• Hose clamp		
	51	4	0396G	090162 (ROTAX 956-580)	• Screw fitting		
	52	1	0396G	090101 (ROTAX 956-501)	• Oil tank		
	53	1	0396G	766053	• Oil cooler - low		
	54	AR	0396G	766096 (ROTAX 956390)	• Hose		
	55	2	0396G	090106 (ROTAX 242-871)	• Nut M22x1.5		



Fig.	Item	Units per assembly / Units of issue	NCAGE	Part Number NATO Stock Number	Nomenclature	*Usable on code assy •MV/Effect	I C Y
1C							
-	702	AR	D8908	096249	• Adhesive Loctite 577		
-	703	AR	D8908	096270	• Activator Loctite 7471		

Oil thermostat

Illustrated parts data

Table of Contents

	Page
Oil thermostat - Illustrated parts data.....	1

Index of Tables

	Page
1 References.....	1

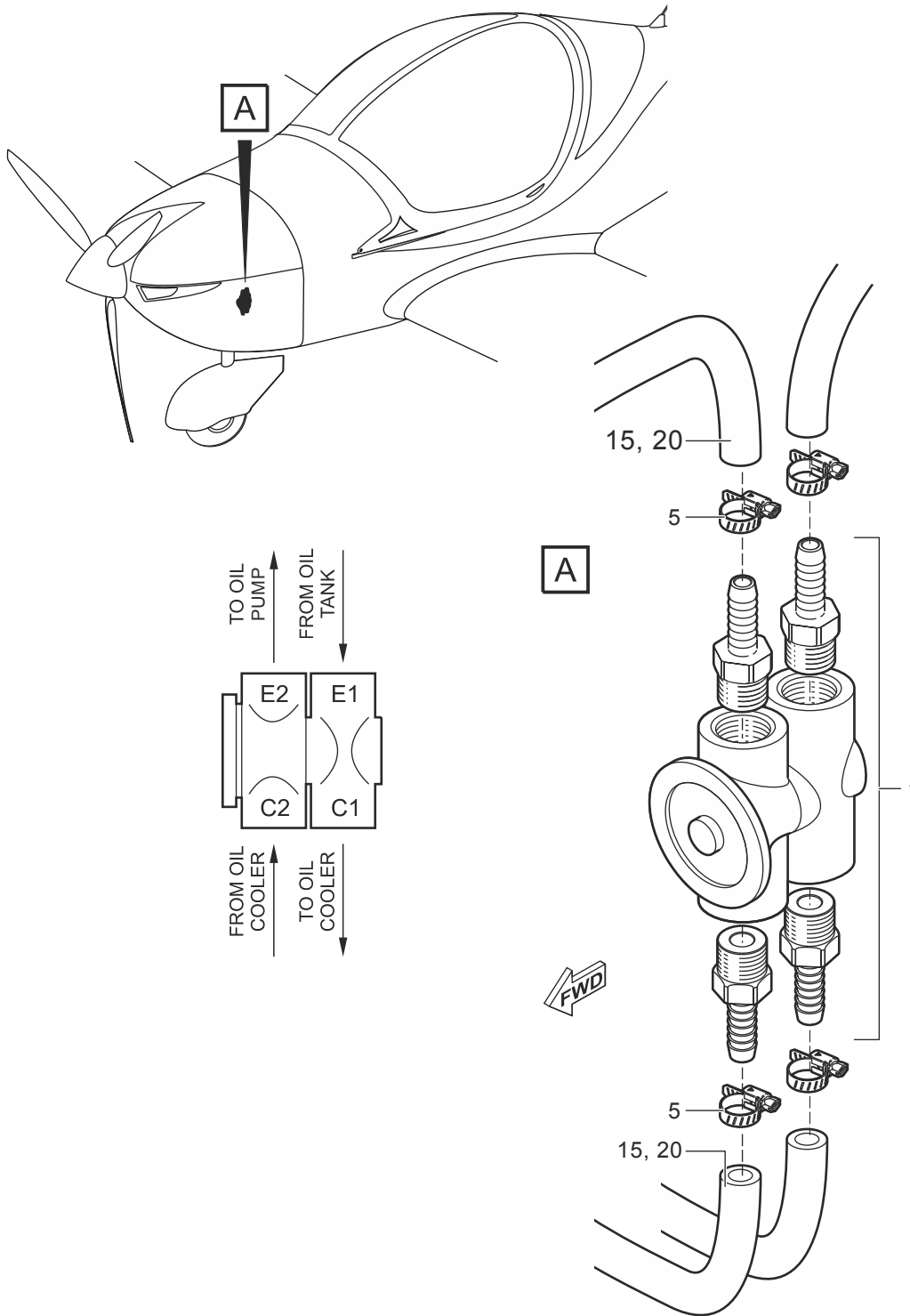
Index of Figures

	Page
1 Oil thermostat.....	2

References

Table 1 References

Data module/Technical publication	Title
None	



ICN-SPORTSTAR-A-79-20-00-E-0396G-00008-A-001-01.CGM
 Figure 1: Oil thermostat

Fig.	Item	Units per assembly / Units of issue	NCAGE	Part Number NATO Stock Number	Nomenclature	*Usable on code assy •MV/Effect	I C Y
1A							
-	0	1	0396G	E6 10-33 01	Oil thermostat installation		
	1	1	0396G	082607	• Oil thermostat		
	5	4	0396G	055623	• Hose clamp		
-	10	20	0396G	060333	• Cable tie		
	15	AR	0396G	766096	• Oil hose		
	20	AR	0396G	056445	• Protecting hose		
-	800	AR	D8908	096249	• Adhesive Loctite 577		

This page has been intentionally left blank.