



Illustrated Parts Catalogue

for

Harmony LSA



Type: HARMONY LSA

Document No.: HARMIPC

Date of Issue: 15.04.2016

Copyright © 2015
EVEKTOR- AEROTECHNIK, a.s.

Airplane producer:
EVEKTOR-AEROTECHNIK, a.s.
686 04 Kunovice – Letecká 1384
Czech Republic
www.evektoraircraft.com



Intentionally Left Blank



Harmony^{LSA}

ILLUSTRATED PARTS CATALOGUE

Doc. No. HARMIPC

0 TECHNICAL INFORMATION



0.1 Table of Contents

0	TECHNICAL INFORMATION	3
0.1	Table of Contents	4
0.2	Introduction	6
0.3	Airplane Manufacturer	6
0.4	Log of Revisions.....	7
0.5	List of Effective Pages.....	9
0.6	Overview	12
0.7	Figures	12
0.8	Instruction for Illustrated Parts Catalogues	12
0.9	Aircraft Assembly	12
1	FUSELAGE	13
1.1	Tilting Canopy (part 1).....	14
1.2	Tilting Canopy (part 2).....	16
1.3	Tail skid.....	18
1.4	Engine bed.....	20
1.5	Engine cowlings	22
1.6	Fuselage-central section	24
1.6.1	Fuselage-central section, skins, parts	26
1.6.2	Fuselage-central section, parts	30
1.6.3	Landing gear beam (S1 00-05 01).....	38
1.6.4	Fuselage-rear section, skins parts.....	42
2	WING.....	49
2.1	Wing.....	50
2.1.1	Wing mounting.....	52
2.1.2	Wing modification-A715 Landing light	54
2.1.3	Wing and wing fairings	56
2.1.4	Ailerons, flaps.....	58
2.1.5	Fuel tank, fuel caps	60
3	TAIL UNITS.....	63
3.1	Tail units.....	64
4	CONTROLS	66
4.1	Controls.....	67
5	LANDING GEAR	70
5.1	Nose landing gear	71
5.2	Main landing gear.....	74
5.2.1	Tyre / tube.....	76
5.3	Wheel pants	78
5.3.1	Main wheel cover attachment.....	80
5.4	Brake system (four pumps system)	82
5.4.1	Brake pump.....	84
5.4.2	Double brake pump.....	86
5.4.3	Brake cylinder	88
5.4.4	Brake system	90



5.5	Rudder and flaps control.....	94
5.6	Pedal assy LH (S4 72-00 01), pedal assy RH (S4 72-00 02)	98
5.7	Parking brake	102
6	POWER UNIT	105
6.1	Exhaust system	106
6.2	Fuel pump	108
6.3	Water cooling.....	110
6.4	Oil installation R 912S	112
6.5	Heating and windshield air blowing.....	114
7	INSTALLATION.....	117
7.1	Electrical system.....	118
7.2	Electric trim tab control	120
7.3	Stall warning system.....	122
7.4	Cockpit lighting for Koger sunshade	124
7.5	Fuel system installation	126
8	COCKPIT EQUIPMENT	129
8.1	Cockpit equipment.....	130
8.2	Koger sunshade	134
8.3	Ground equipment (S9 00-03 01)	136
8.4	Spare connecting parts (S0 00-15 01S).....	138
8.5	Instrument board shelter for NVFR	142



0.2 Introduction

This Illustrated Parts Catalogue is valid only for Harmony LSA airplane.

For parts order use Spare Parts Order form enclosed in this catalogue or in Appendices of the Airplane Maintenance Manual.

0.3 Airplane Manufacturer

EVEKTOR-AEROTECHNIK, a.s.

Letecká 1384

686 04 Kunovice

Czech Republic

Tel.: +420 572 537 316

Fax: +420 527 537 900

e-mail: service@evektor.cz

www.evektoraircraft.com



0.4 Log of Revisions

All revisions or supplements to this Manual are issued in form of revisions, which will have new or changed pages as an appendix and the list of which is shown in the Log of Revisions table.

Rev. No.	Affected Pages	Description	Date of Approval	Inserted by / Date



Rev. No.	Affected Pages	Description	Date of Approval	Inserted by / Date



0.5 List of Effective Pages

Page	Date	Page	Date	Page	Date
1	2016-04-15	28	2016-04-15	55	2016-04-15
2	2016-04-15	29	2016-04-15	56	2016-04-15
3	2016-04-15	30	2016-04-15	57	2016-04-15
4	2016-04-15	31	2016-04-15	58	2016-04-15
5	2016-04-15	32	2016-04-15	59	2016-04-15
6	2016-04-15	33	2016-04-15	60	2016-04-15
7	2016-04-15	34	2016-04-15	61	2016-04-15
8	2016-04-15	35	2016-04-15	62	2016-04-15
9	2016-04-15	36	2016-04-15	63	2016-04-15
10	2016-04-15	37	2016-04-15	64	2016-04-15
11	2016-04-15	38	2016-04-15	65	2016-04-15
12	2016-04-15	39	2016-04-15	66	2016-04-15
13	2016-04-15	40	2016-04-15	67	2016-04-15
14	2016-04-15	41	2016-04-15	68	2016-04-15
15	2016-04-15	42	2016-04-15	69	2016-04-15
16	2016-04-15	43	2016-04-15	70	2016-04-15
17	2016-04-15	44	2016-04-15	71	2016-04-15
18	2016-04-15	45	2016-04-15	72	2016-04-15
19	2016-04-15	46	2016-04-15	73	2016-04-15
20	2016-04-15	47	2016-04-15	74	2016-04-15
21	2016-04-15	48	2016-04-15	75	2016-04-15
22	2016-04-15	49	2016-04-15	76	2016-04-15
23	2016-04-15	50	2016-04-15	77	2016-04-15
24	2016-04-15	51	2016-04-15	78	2016-04-15
25	2016-04-15	52	2016-04-15	79	2016-04-15
26	2016-04-15	53	2016-04-15	80	2016-04-15
27	2016-04-15	54	2016-04-15	81	2016-04-15



Page	Date	Page	Date	Page	Date
82	2016-04-15	111	2016-04-15	140	2016-04-15
83	2016-04-15	112	2016-04-15	141	2016-04-15
84	2016-04-15	113	2016-04-15	142	2016-04-15
85	2016-04-15	114	2016-04-15	143	2016-04-15
86	2016-04-15	115	2016-04-15	144	2016-04-15
87	2016-04-15	116	2016-04-15		
88	2016-04-15	117	2016-04-15		
89	2016-04-15	118	2016-04-15		
90	2016-04-15	119	2016-04-15		
91	2016-04-15	120	2016-04-15		
92	2016-04-15	121	2016-04-15		
93	2016-04-15	122	2016-04-15		
94	2016-04-15	123	2016-04-15		
95	2016-04-15	124	2016-04-15		
96	2016-04-15	125	2016-04-15		
97	2016-04-15	126	2016-04-15		
98	2016-04-15	127	2016-04-15		
99	2016-04-15	128	2016-04-15		
100	2016-04-15	129	2016-04-15		
101	2016-04-15	130	2016-04-15		
102	2016-04-15	131	2016-04-15		
103	2016-04-15	132	2016-04-15		
104	2016-04-15	133	2016-04-15		
105	2016-04-15	134	2016-04-15		
106	2016-04-15	135	2016-04-15		
107	2016-04-15	136	2016-04-15		
108	2016-04-15	137	2016-04-15		
109	2016-04-15	138	2016-04-15		
110	2016-04-15	139	2016-04-15		



0.6 Overview

This Illustrated Parts Catalogue lists items of spare parts composing Harmony LSA airplane.

0.7 Figures

The group name and drawing number are showed at the top:

0.8 Instruction for Illustrated Parts Catalogues

For repairs use original spare parts Evektor-Aerotechnik only.

For spare parts order please use "HARMONY LSA AIRPLANE FAILURE CARD" from Airplane Maintenance Manual (AMM) - see section 8.1 of AMM.

0.9 Aircraft Assembly

Fuselage

Wing

Tail Units

Flight Controls

Landing Gear

Power Unit

Installations

Cockpit Equipment

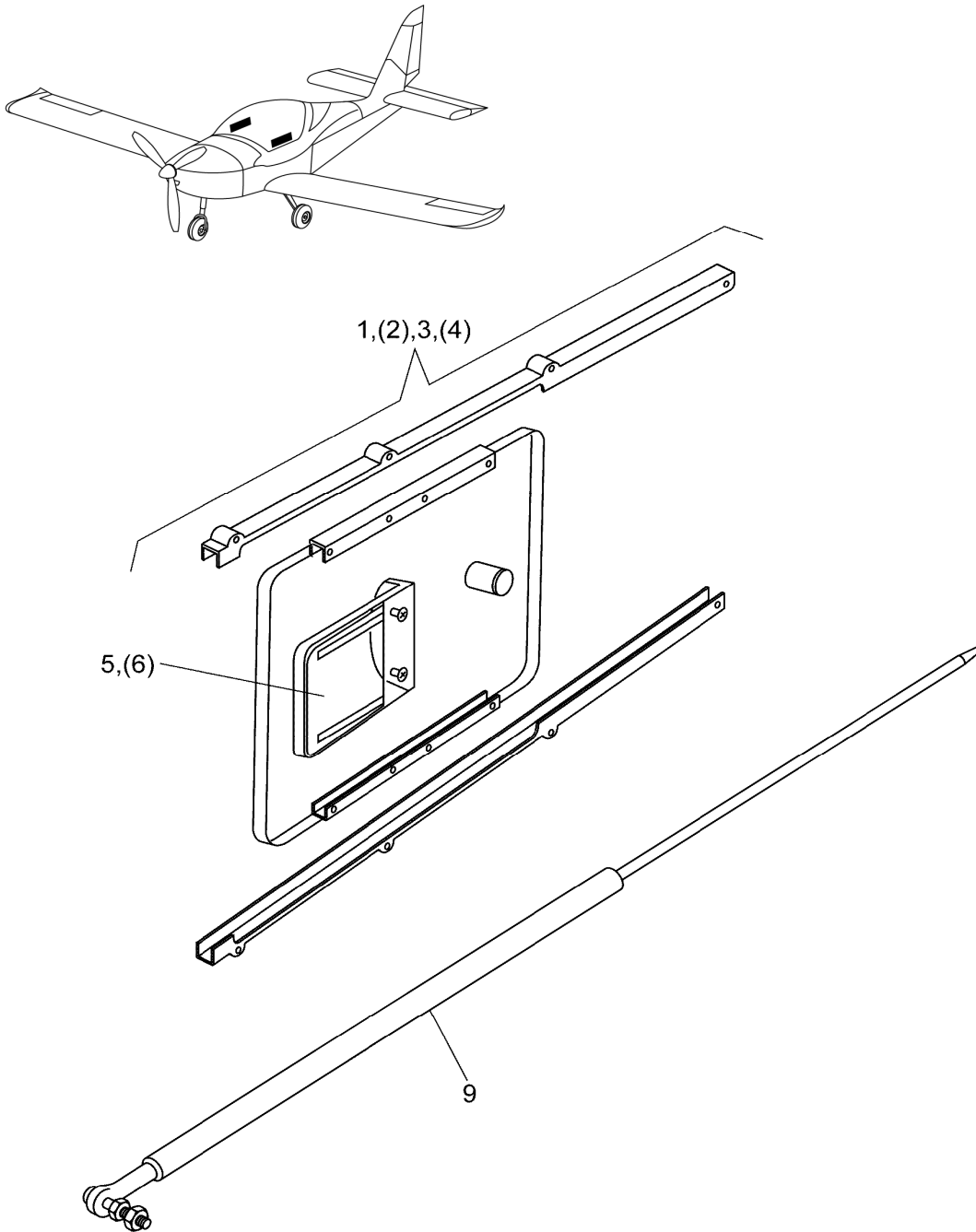
Optional Equipment



1 FUSELAGE



	FUSELAGE
	1.1 Tilting Canopy (part 1)



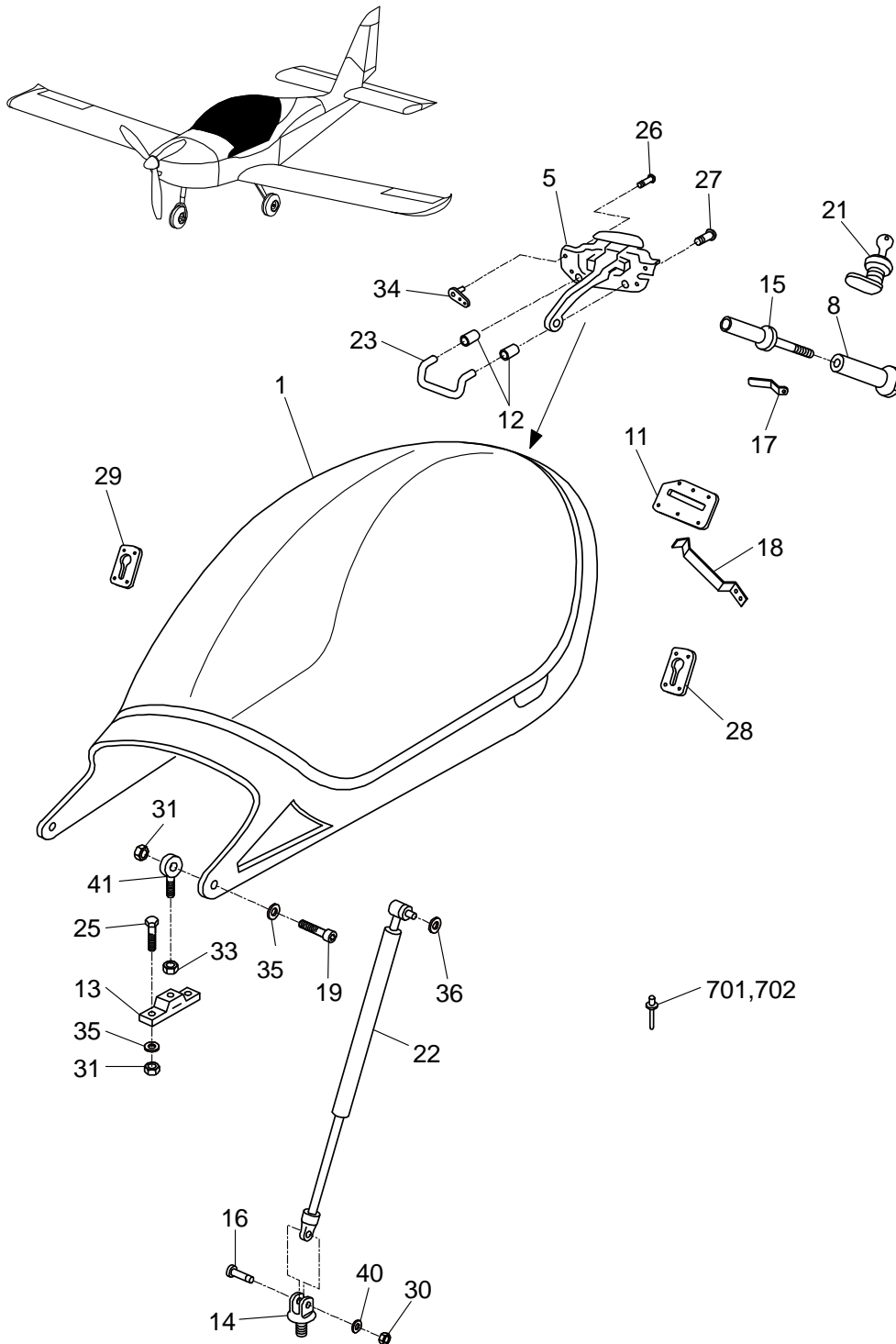


		FUSELAGE			
		1.1 Tilting Canopy (part 1)			
Pos.	Order number	Designation	Qty	Standard	Note
001	701458	Clear venting window LH	1		
002	701459	Clear venting window RH	1		
003	701462	Smoked venting window LH	1		
004	701465	Smoked venting window RH	1		
005	701450	Flap for venting window LH	1		
006	701451	Flap for venting window RH	1		
009	079986	Gas strut Bansbach	2	G08-390867 (120N)	



FUSELAGE

1.2 Tilting Canopy (part 2)

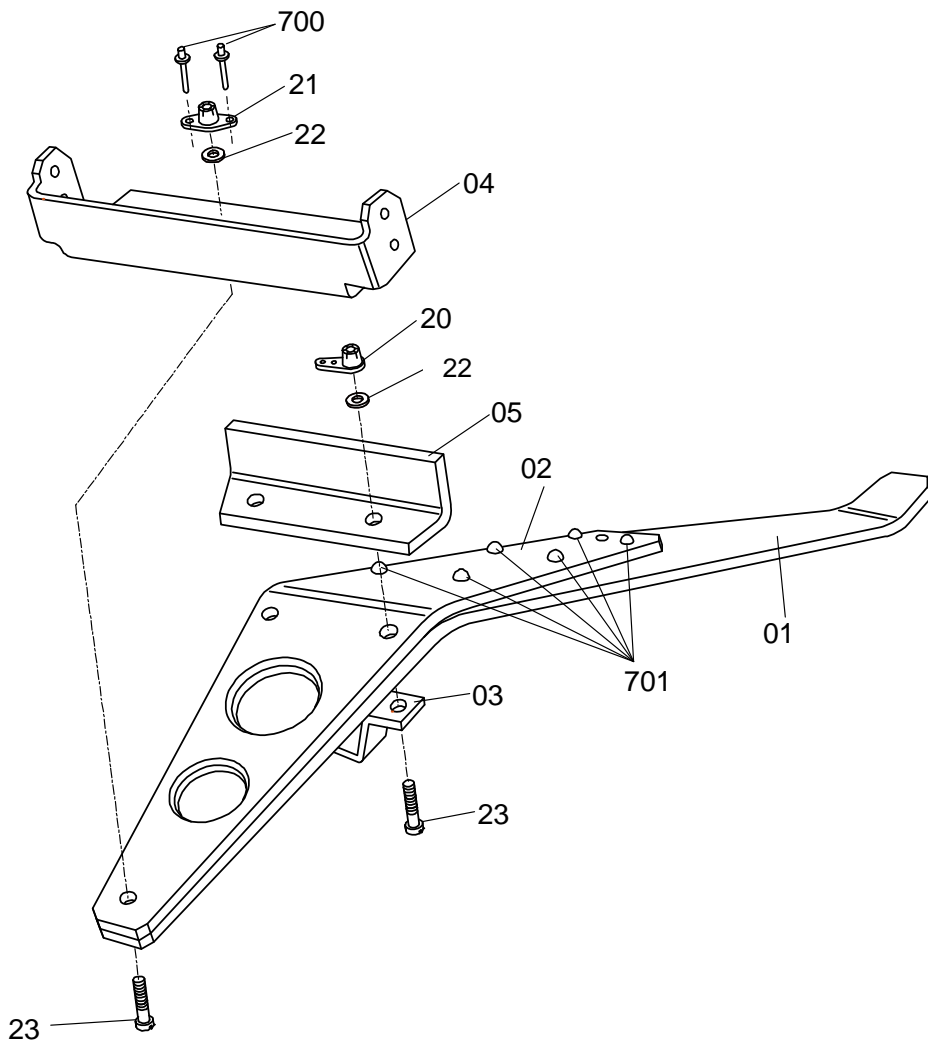
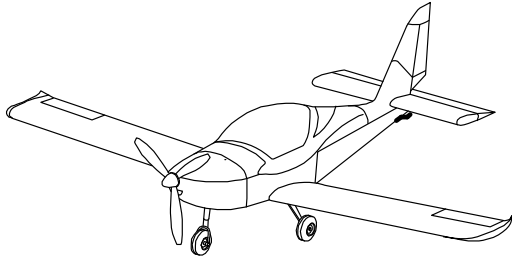




FUSELAGE					
1.2 Tilting Canopy (part 2) (S1 55-66 01)					
Pos.	Order number	Designation	Qty	Standard	Note
001	S1 65-68 01	Brown canopy	1		
005	S1 65-74 01	Lock set	1		
008	S1 55-75 21	Nut	1		
011	S1 65-04 21	Lock sheet	1		
012	S1 74-06 21	Spacer	2		
013	S1 65-01 21	Hinge nut	2		
014	S1 65-02 21	Fork	2		
015	S1 65-03 21	Lock pin	1		
016	S1 65-05 21	Holder pin	2		
017	S1 65-07 21	Lock lever	1		
018	761559	Rack	2		
019	E5 00-30 21	Bolt modified	2		
020	S1 65-08 21	Spacer	2		
021	097510	Lamella lock FAB 1370/1	1		
022	079986	Gas strut	2		
023	078676	Bent plug handle	1		
025	002053	Bolt M 6x20	4	ISO 4017	
026	011870	Screw M 4x16	3	ISO 10642	
027	009823	Bolt M 5x30	2	ISO 7046.1	
028	S1 57-07 21	Guiding pin sheet L	1		
029	S1 57-07 22	Guiding pin sheet R	1		
030	033870	Nut M 8	3	DIN 980 V	
031	033860	Nut M 6	6	DIN 980 V	
033	031901	Nut M 6	2	ISO 4035	
034	033601	Nut M 4	3	OST 1 33260-89	
035	038206	Washer 6.4	8	ISO 7089	
036	038208	Washer 8.4	2	ISO 7089	
040	074975	Ring 5	2	CSN 02 2929.03	
041	048155	Adjustable rod eye with swivel	2	SM 6	
701	047590	Blind rivet 3.2x9.5	20	AVEX 1604-0412	
702	047560	Rivet 3.2x7.9	4	AVEX 1691-0410	



	FUSELAGE
	1.3 Tail skid

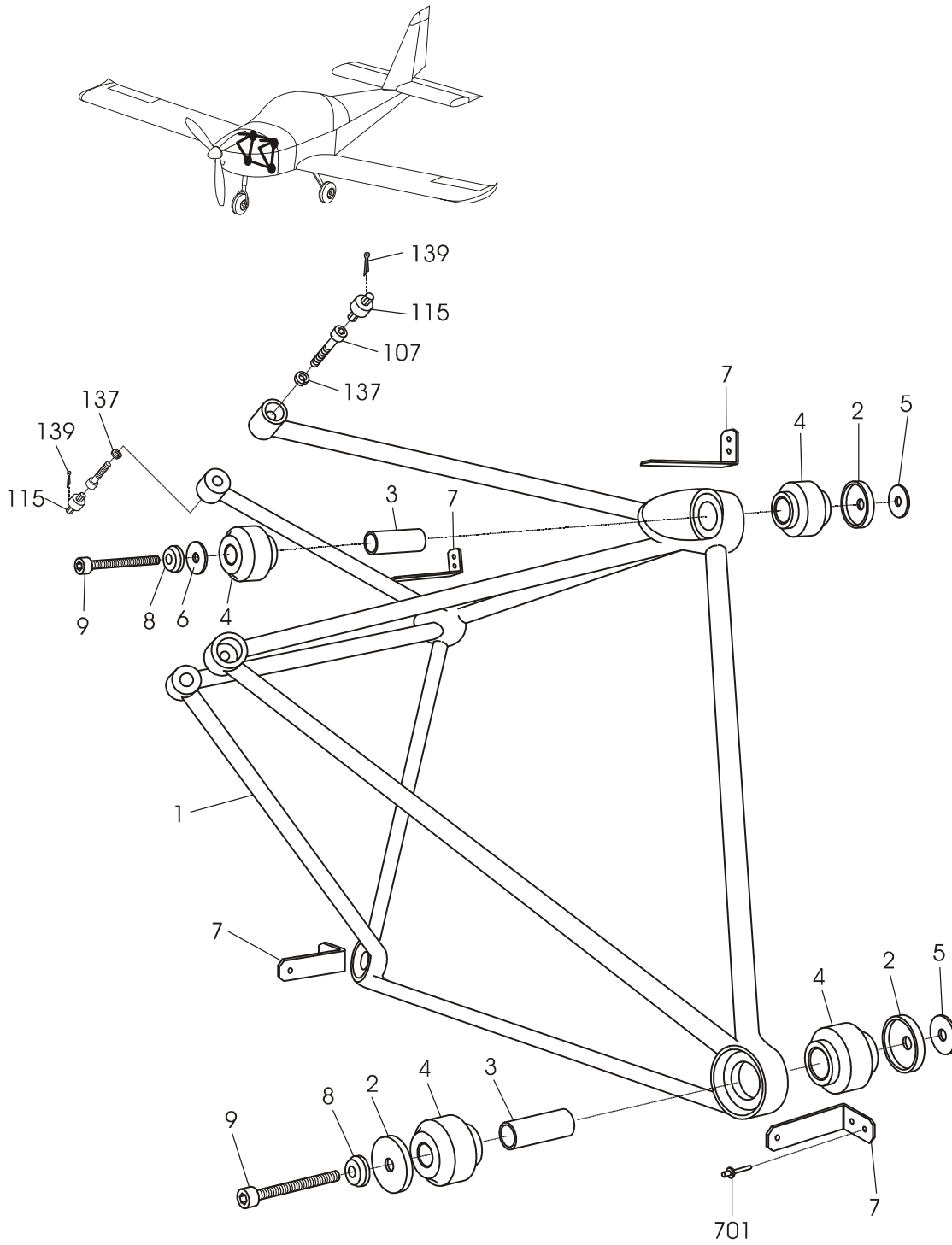




FUSELAGE					
1.3 Tail skid (S1 00-07 01, S1 00-13 01)					
Pos.	Order number	Designation	Qty	Standard	Note
001	E1 01-34 21	Spur	1		
002	E1 01-35 21	Spur support	1		
003	S1 01-40 21	Anchoring eye	1		
004	E1 01-33 21	L-Shaped extrusion	1		
005	S1 01-36 21	Spur coupling	1		
020	033604	Nut M 5	2	OST 1 33260-89	
021	033655	Nut M 5	1	ONL 3243	
022	038193	Washer 5.3	3	ISO 7089	
023	007361	Screw M 5x20	3	CSN 02 1143.54	
700	047590	Blind rivet 3.2x9.5	6	AVEX 1604-0412	
701	043560	Rivet 3.5x10	7	CSN 02 2302.5	



	FUSELAGE
	1.4 Engine bed



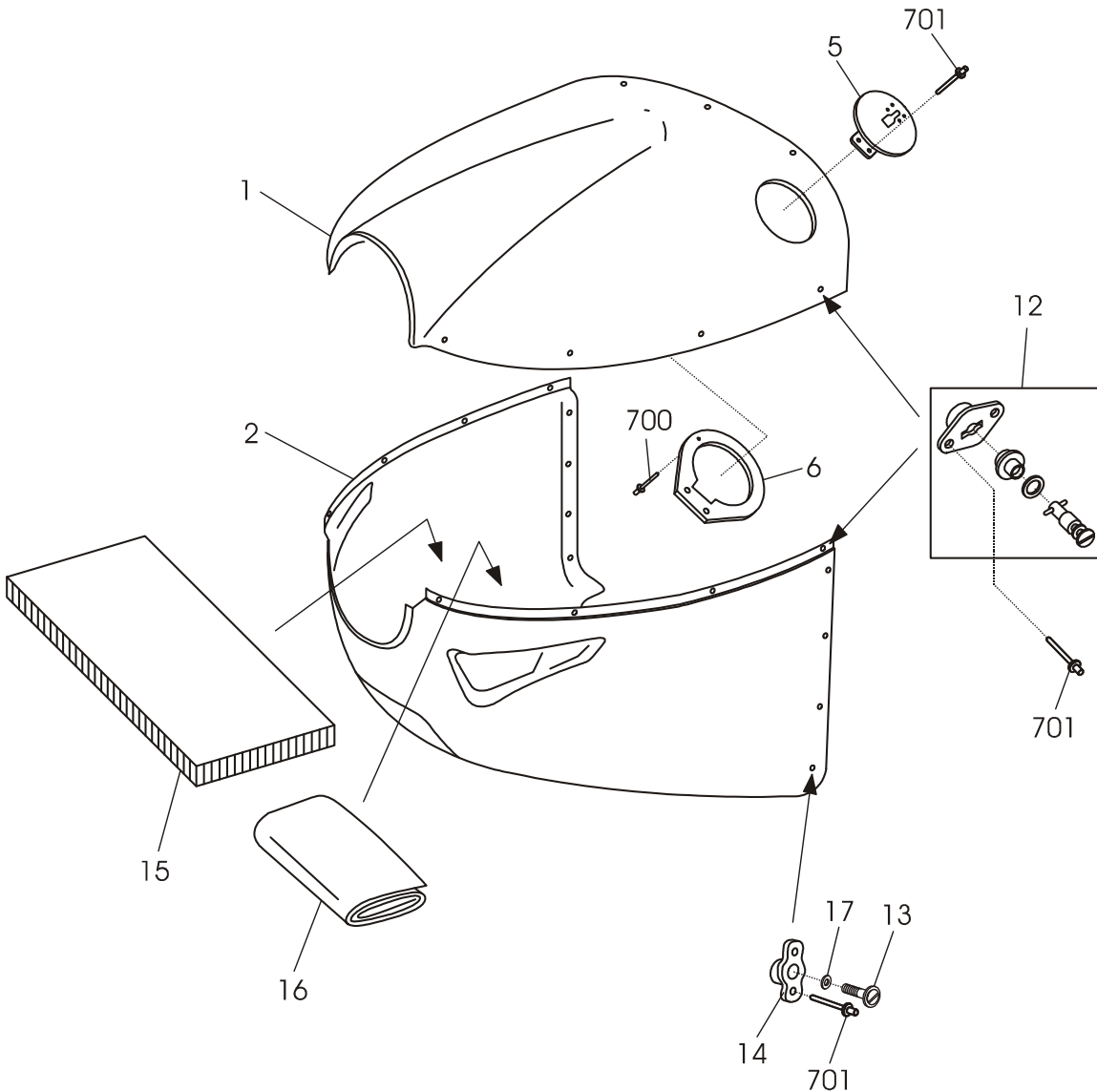
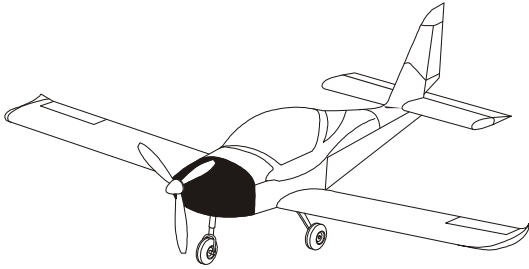


FUSELAGE					
1.4 Engine bed (S6 71-00 01, S6 00-62 01)					
Pos.	Order number	Designation	Qty	Standard	Note
001	E0 06-00 01	Engine bed - model 2011	1		
002	766129	Silentblock retainer	6		
003	766134	Silentblock spacing tube	4		
004	768149	Silentblock	8		
005	766132	Washer	4		
006	E0 01-58 21	Washer	2		
007	E0 01-61 21	Bracket	4		
008	S6 71-01 21	Washer	4		
009	S6 71-00 21	Bolt	4		
107	E6 02-20 21	Bolt	3		
115	SG6 04-03 21	Plug	4		
137	037209	Washer 10.2	6	DIN 7980	
139	039651	Cotter pin 2x32	4	ISO 1234	
701	047560	Rivet 3.2x7.9	8	AVEX 1691-0410	



FUSELAGE

1.5 Engine cowlings

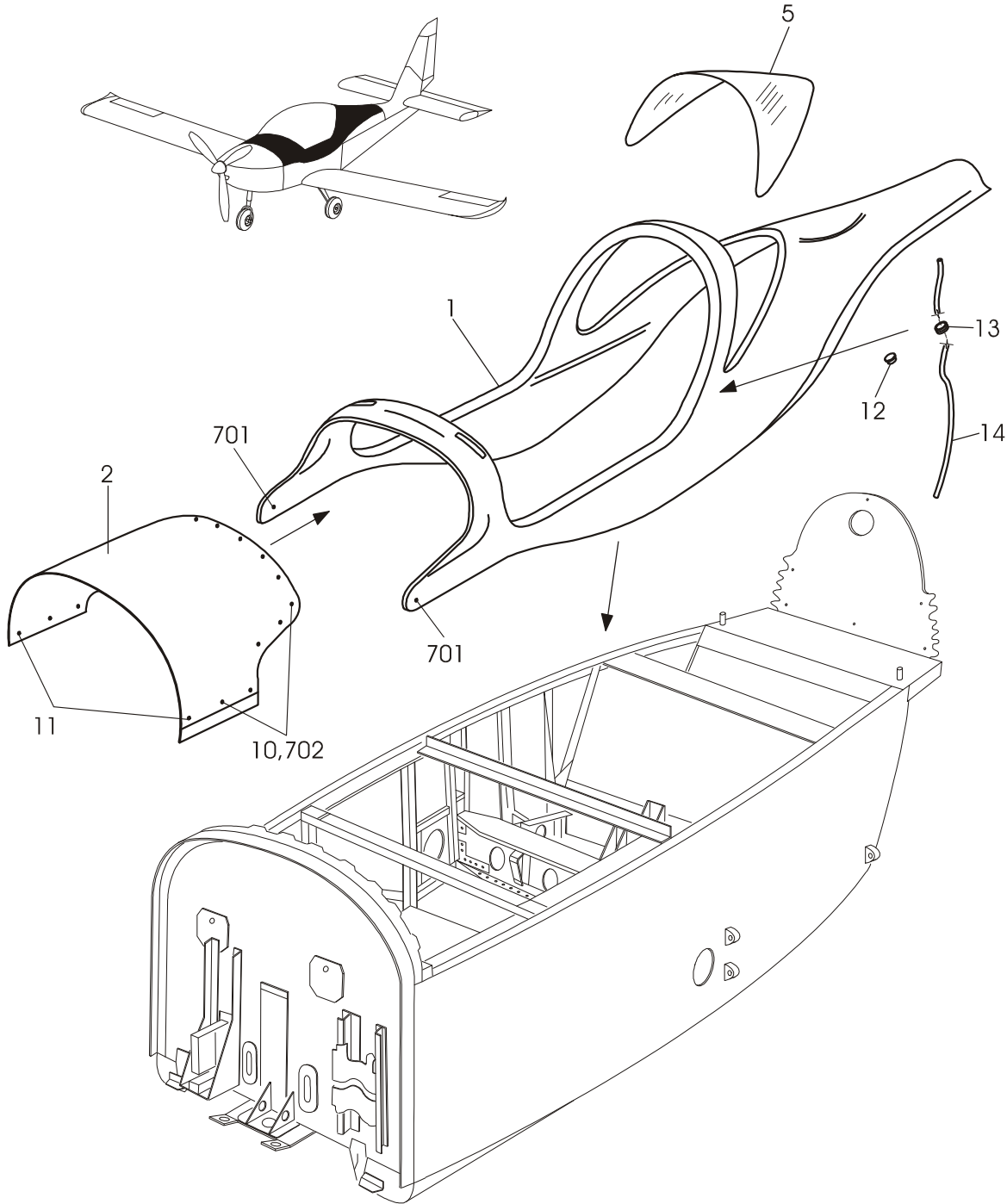




FUSELAGE					
1.5 Engine cowlings (S6 32-33 01, S6 32-34 01)					
Pos.	Order number	Designation	Qty	Standard	Note
001	S6 32-33 01	Upper engine cover	1		
002	S6 32-36 01	Lower engine cover assy	1		
005	E6 30-30 01	Service door	1		
006	E6 30-30 21	CLOSING EDGE 110	1		
012	766397	Camlock	11		
013	004985	Screw M 4x12	10	ECOSYN-FIX	
014	033651	Nut M 4	10	OST 1 33264-89	
015	084934	Mat Mikra 400x150	1		
016	085440	Leatherete black vinytol	1		
017	038237	Washer 3.7	10	DIN 125	
700	047560	Rivet 3.2x7.9	12	AVEX 1691-0410	
701	047590	Blind rivet 3.2x9.5	44	AVEX 1604-0412	



	FUSELAGE
	1.6 Fuselage-central section

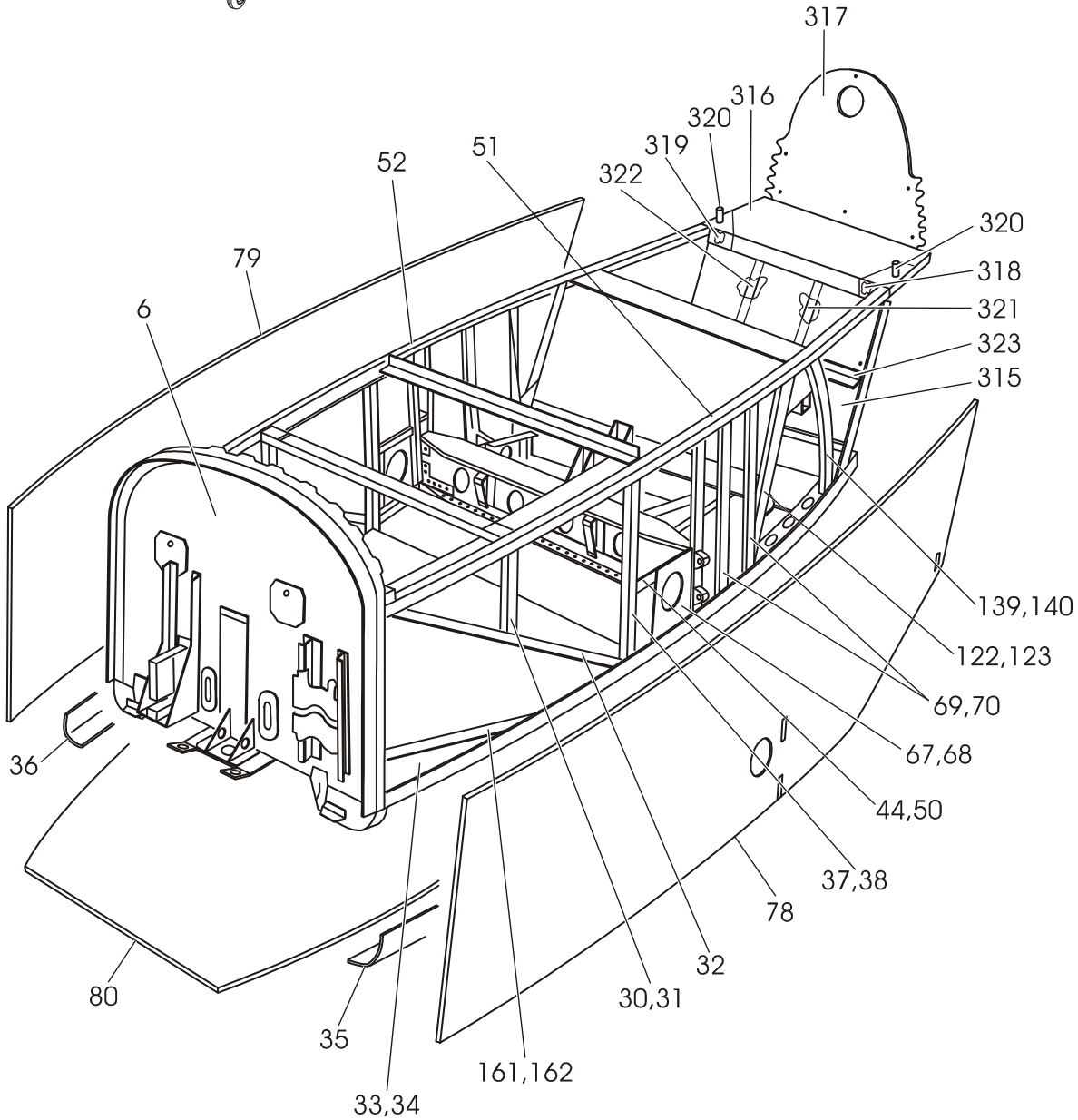
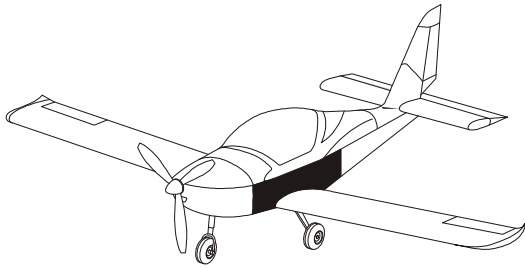




		FUSELAGE			
		1.6 Fuselage-central section (S1 60-04 01)			
Pos.	Order number	Designation	Qty.	Standard	Note
001	S1 56-57 01	Fixed frame	1		
002	S1 60-01 21	Upper front sheet	1		
005	S1 57-02 21	Rear glass - brown	1		
010	033651	Nut M 4	21	OST 1 33264-89	
011	035410	Nut M 4	2	9408-2415	
012	051165	Gland	1		
013	076821	Bushing 8x1	2	CSN 63 3881.3	
014	056105	Hose Tubclair (0.8 m)	1		
701	047560	Rivet 3.2x7.9	140	AVEX 1691-0410	
702	047590	Blind rivet 3.2x9.5	34	AVEX 1604-0412	



	FUSELAGE
	1.6.1 Fuselage-central section, skins, parts





FUSELAGE					
1.6.1 Fuselage-central section, skins, parts (S1 00-20 01)					
Pos.	Order number	Designation	Qty	Standard	Note
006	S1 75-10 01	Fire wall	1		
030	E1 01-70 21	Stiffener	1		
031	E1 01-70 22	Stiffener	1		
032	E1 01-75 21	Stiffener	2		
033	761267	Rib L	1		
034	761268	Rib R	1		
035	761276	Skin L	1		
036	761275	Skin R	1		
037	E1 02-16 21	Stiffener	1		
038	E1 02-16 22	Stiffener	1		
044	S1 02-11 21	Stiffener L	1		
050	S1 02-11 22	Stiffener R	1		
051	E1 01-74 21	Stringer L	1		
052	E1 01-74 22	Stringer R	1		
067	S1 01-43 21	Stiffener	1		
068	S1 01-43 22	Stiffener	1		
069	SG1 02-45 21	Crossbeam	2		
070	SG1 02-45 22	Crossbeam	2		
078	E1 01-90 21	Left side skin	1		
079	E1 01-90 22	Right side skin	1		
080	SG1 02-88 21	Lower skin	1		
122	E1 50-21 21	Inclined stiffener	1		
123	E1 50-21 22	Inclined stiffener	1		
139	E1 02-28 21	Rear spacer	1		
140	E1 02-28 22	Rear spacer	1		
161	E1 01-92 21	Front stiffener	1		
162	E1 01-92 22	Front stiffener	1		
315	S1 25-01 21	Lower diaphragm	1		
316	S1 25-02 21	Horizontal frame	1		
317	S1 25-03 21	Upper diaphragm	1		
318	S1 25-04 21	Reinforcement L	1		
319	S1 25-04 22	Reinforcement R	1		



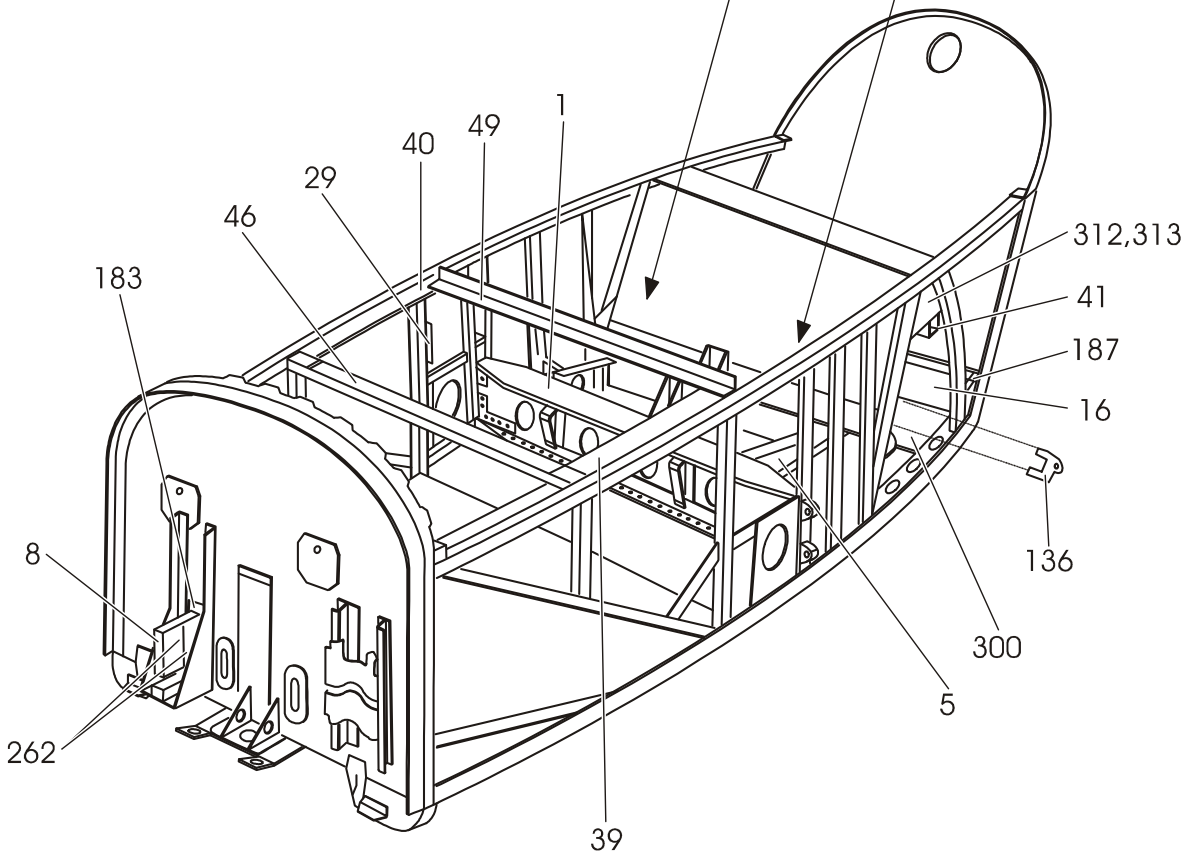
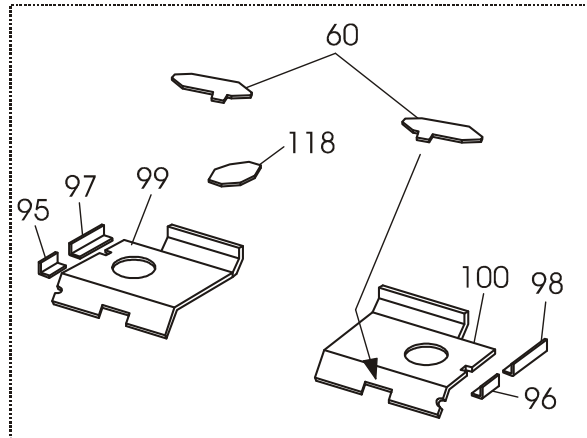
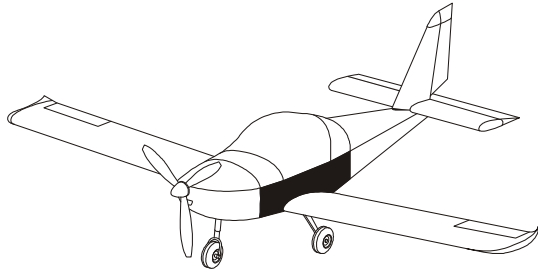
FUSELAGE					
1.6.1 Fuselage-central section, skins, parts (S1 00-20 01)					
Pos.	Order number	Designation	Qty	Standard	Note
320	S1 25-05 21	Belt pin	2		
321	E1 53-04 21	Stiffener	2		
322	E1 53-04 22	Stiffener	2		
323	S1 80-04 21	Stay	1		



Intentionally Left Blank



FUSELAGE	
1.6.2 Fuselage-central section, parts	



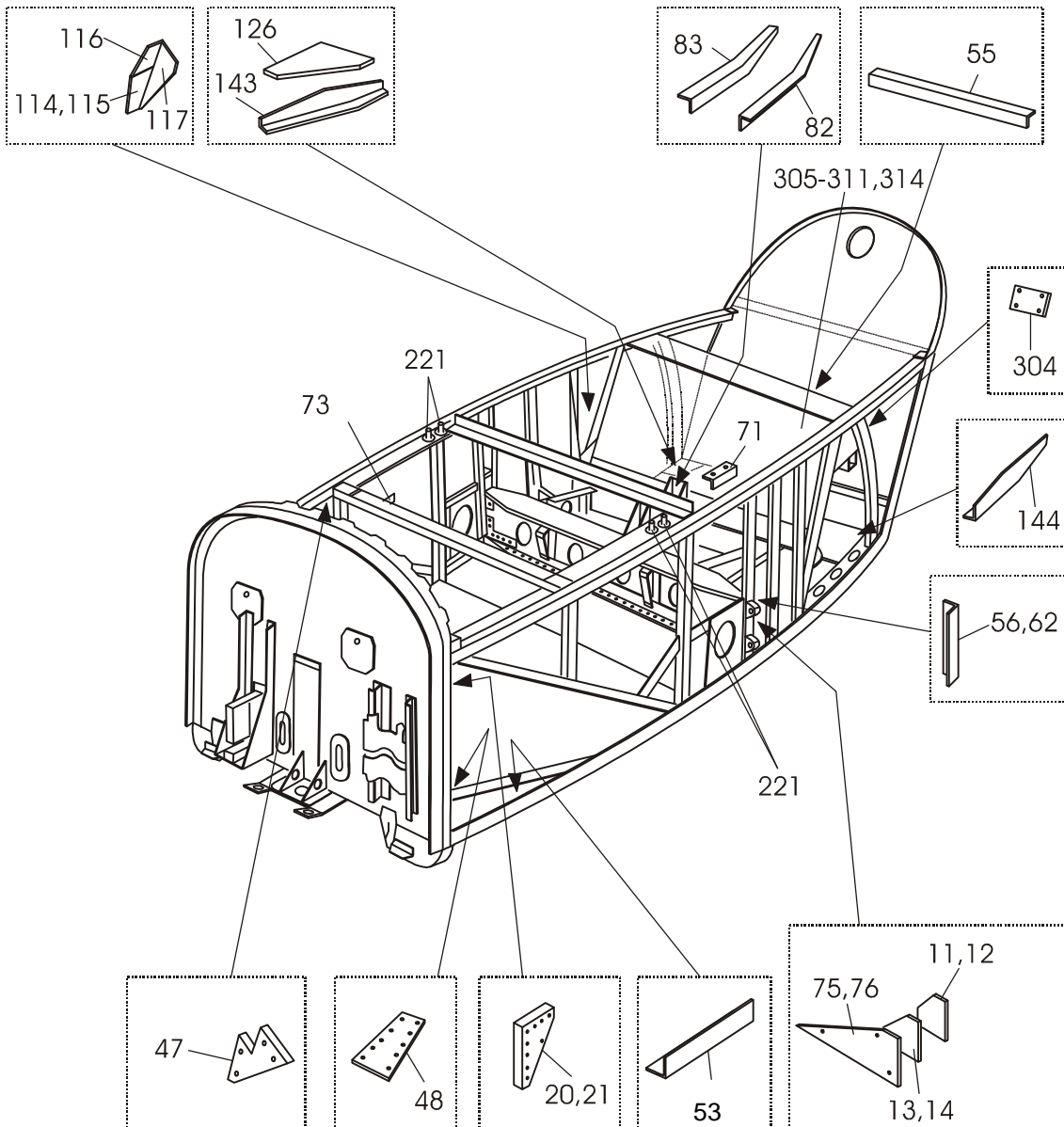
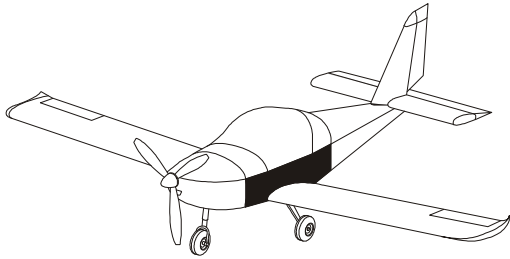


FUSELAGE					
1.6.2 Fuselage-central section, parts (S1 00-20 01)					
Pos.	Order number	Designation	Qty	Standard	Note
001	S1 02-03 01	Centre section	1		
005	S1 00-05 01	Landing gear beam	1		
008	S1 01-00 01	Battery holder	1		
016	S1 80-21 01	Cover assy	1		
029	E6 03-02 21	Bowden holder	1		
039	761313	Left joint	1		
040	761314	Right joint	1		
041	S1 80-02 21	Seat crosspiece	1		
046	761319	Spar under tank	1		
049	761315	Instrument board spar	1		
060	SG1 02-73 21	Stop	2		
095	E1 02-97 21	Short stiffener	1		
096	E1 02-97 22	Short stiffener	1		
097	E1 02-15 21	Stiffener	1		
098	E1 02-15 22	Stiffener	1		
099	SG1 02-38 21	Seat	1		
100	SG1 02-38 22	Seat	1		
118	SG1 02-46 21	Upper strap	2		
136	E1 50-01 21	Fitting	2		
183	S1 01-41 21	Spar	1		
187	S1 80-24 21	Profile	1		
262	086000	Rubber	2		
300	S1 80-03 21	Front bottom	1		
312	S1 80-14 21	LH rib	2		
313	S1 80-14 22	RH rib	2		



FUSELAGE

1.6.2 Fuselage-central section, parts





FUSELAGE					
1.6.2 Fuselage-central section, parts					
Pos.	Order number	Designation	Qty	Standard	Note
011	S5 00-25 01	Bush assy	1		
012	S5 00-25 02	Bush assy	1		
013	S5 00-24 01	Completed bush	1		
014	S5 00-24 02	Completed bush	1		
020	E1 45-20 01	Reinforcing bracket L	1		
021	E1 45-20 02	Reinforcing bracket R	1		
047	761316	Joint	2		
048	SG1 02-66 21	Joint	2		
053	E1 01-77 21	Support	2		
055	E1 50-23 21	Support stiffener	1		
056	SG1 50-13 21	Stiffener	1		
062	SG1 50-13 22	Stiffener	1		
071	E1 02-41 21	Bracket	2		
073	E6 03-06 21	Bridging	1		
075	E1 50-31 21	Corner bracing L	1		
076	E1 50-31 22	Corner bracing R	1		
082	SG1 02-48 21	Short spar	1		
083	SG1 02-48 22	Short spar	1		
114	SG1 02-37 21	Insert	1		
115	SG1 02-37 22	Insert	1		
116	SG1 02-25 21	Reinforcement	2		
117	E1 02-08 21	Desk	2		
126	E1 50-16 21	Side coupling	2		
143	E1 50-06 21	Reinforcement exterior	1		
144	E1 50-06 22	Reinforcement exterior	1		
221	063400	Ground point complete	4		
304	S1 80-08 21	Connecting piece	2		
305	S1 80-09 21	LH angle	2		
306	S1 80-09 22	RH angle	2		
307	S1 80-11 21	LH angle	1		
308	S1 80-11 22	RH angle	1		
309	S1 80-12 21	LH angle	1		



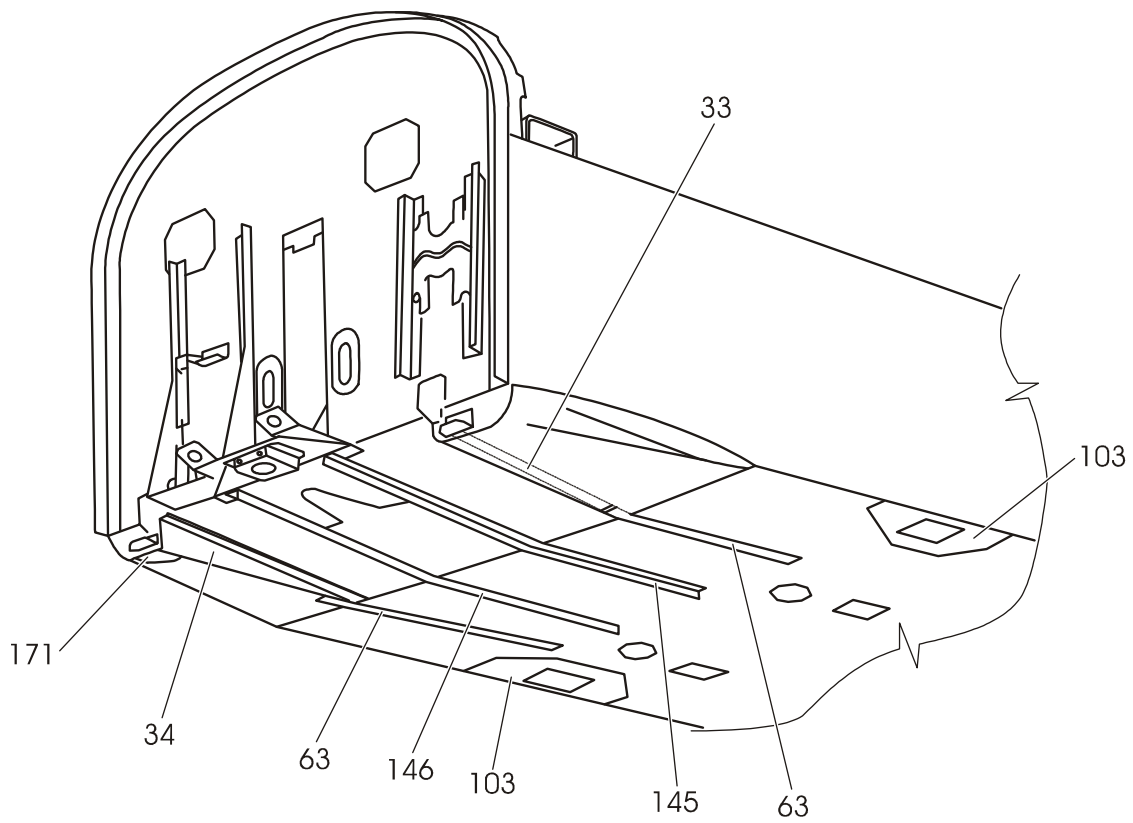
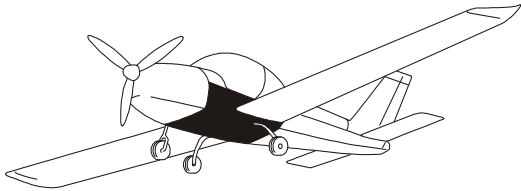
FUSELAGE					
1.6.2 Fuselage-central section, parts					
Pos.	Order number	Designation	Qty	Standard	Note
310	S1 80-12 22	RH angle	1		
311	S1 80-13 21	Angle	4		
314	S1 80-15 21	Backrest	1		
314	S1 80-15 21	Backrest	1		



Intentionally Left Blank



	FUSELAGE
	1.6.2 Fuselage-central section, parts

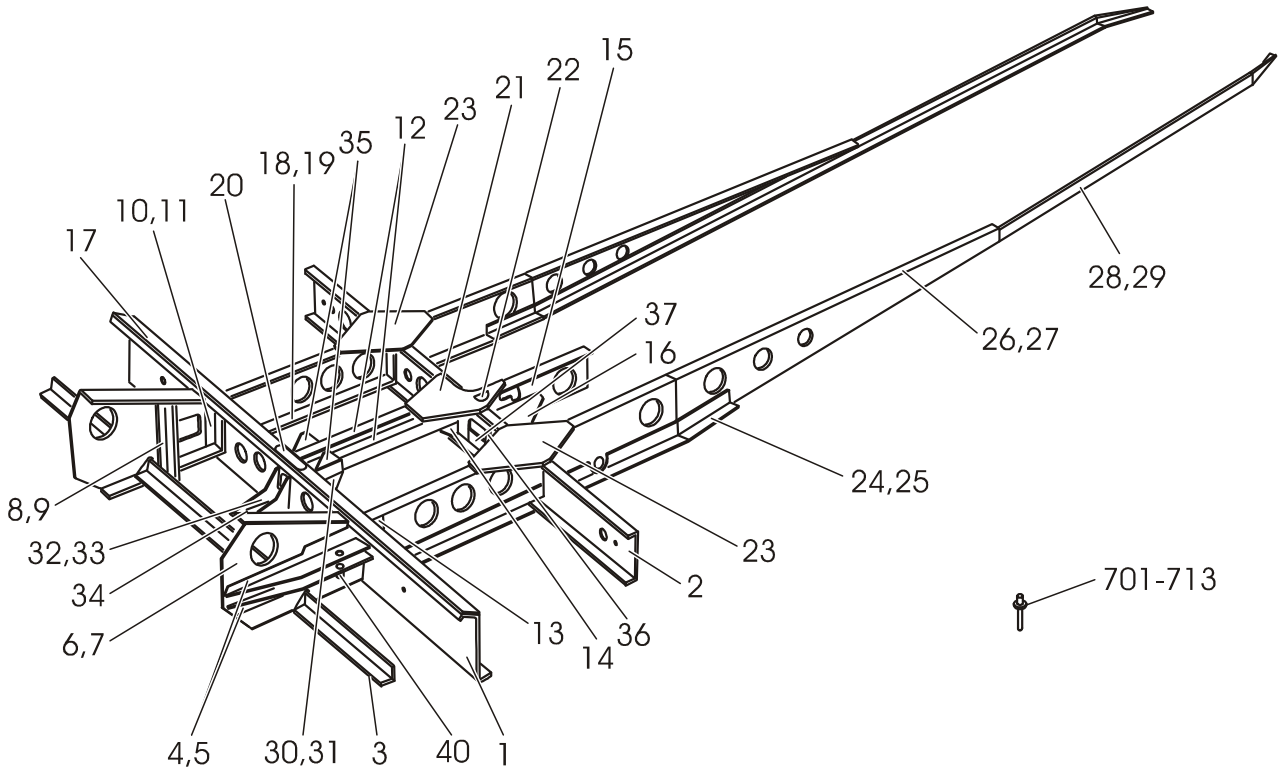
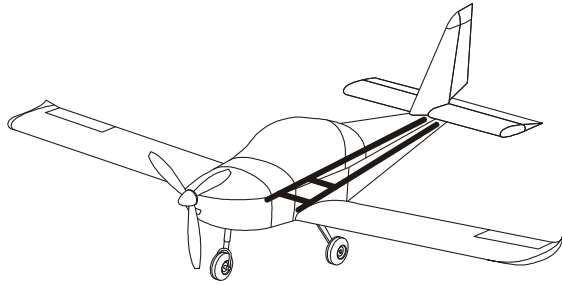




FUSELAGE					
1.6.2 Fuselage-central section, parts (S1 00-20 01)					
Pos.	Order number	Designation	Qty	Standard	Note
033	761267	Rib L	1		
034	761268	Rib R	1		
063	S1 50-10 21	Stiffener	2		
103	SG1 50-02 21	Frame	2		
145	S1 01-76 21	Lower spar	1		
146	S1 01-76 22	Lower spar	1		
171	SG1 50-25 21	Front stiffener	1		



	FUSELAGE
	1.6.3 Landing gear beam (S1 00-05 01)





FUSELAGE					
1.6.3 Landing gear beam (S1 00-05 01)					
Pos.	Order number	Designation	Qty	Standard	Note
001	S1 18-01 21	Spar	1		
002	S1 50-22 21	Spar	1		
003	SG1 02-31 21	Long spacer	1		
004	SG1 18-03 21	Leg strut	2		
005	SG1 18-03 22	Leg strut	2		
006	SG1 18-02 21	Front rack	1		
007	SG1 18-02 22	Front rack	1		
008	SG1 18-05 21	Front crossbeam	1		
009	SG1 18-05 22	Front crossbeam	1		
010	SG1 18-04 21	Large spacer	1		
011	SG1 18-04 22	Large spacer	1		
012	E1 02-65 21	Longeron	2		
013	SG1 18-07 21	Spacer	2		
014	SG1 02-21 21	Support	1		
015	SG1 10-04 21	Rack	1		
016	SG1 10-03 21	Triangle	1		
017	SG1 18-06 21	Shim	1		
018	S1 80-16 21	Rear rack	1		
019	S1 80-16 22	Rear rack	1		
020	E1 57-03 21	Strip	1		
021	SG1 10-02 21	Coupling	1		
022	SG1 10-01 21	Bush	2		
023	S1 00-05 21	Coupling	2		
024	SG1 50-29 21	Rear profile	1		
025	SG1 50-29 22	Rear profile	1		
026	S1 00-01 21	Spar	1		
027	S1 00-01 22	Spar	1		
028	SG1 00-03 21	Profile	1		
029	SG1 00-03 22	Profile	1		
030	SG1 02-50 21	Support	1		
031	SG1 02-50 22	Support	1		
032	SG1 02-47 21	Bracket	1		



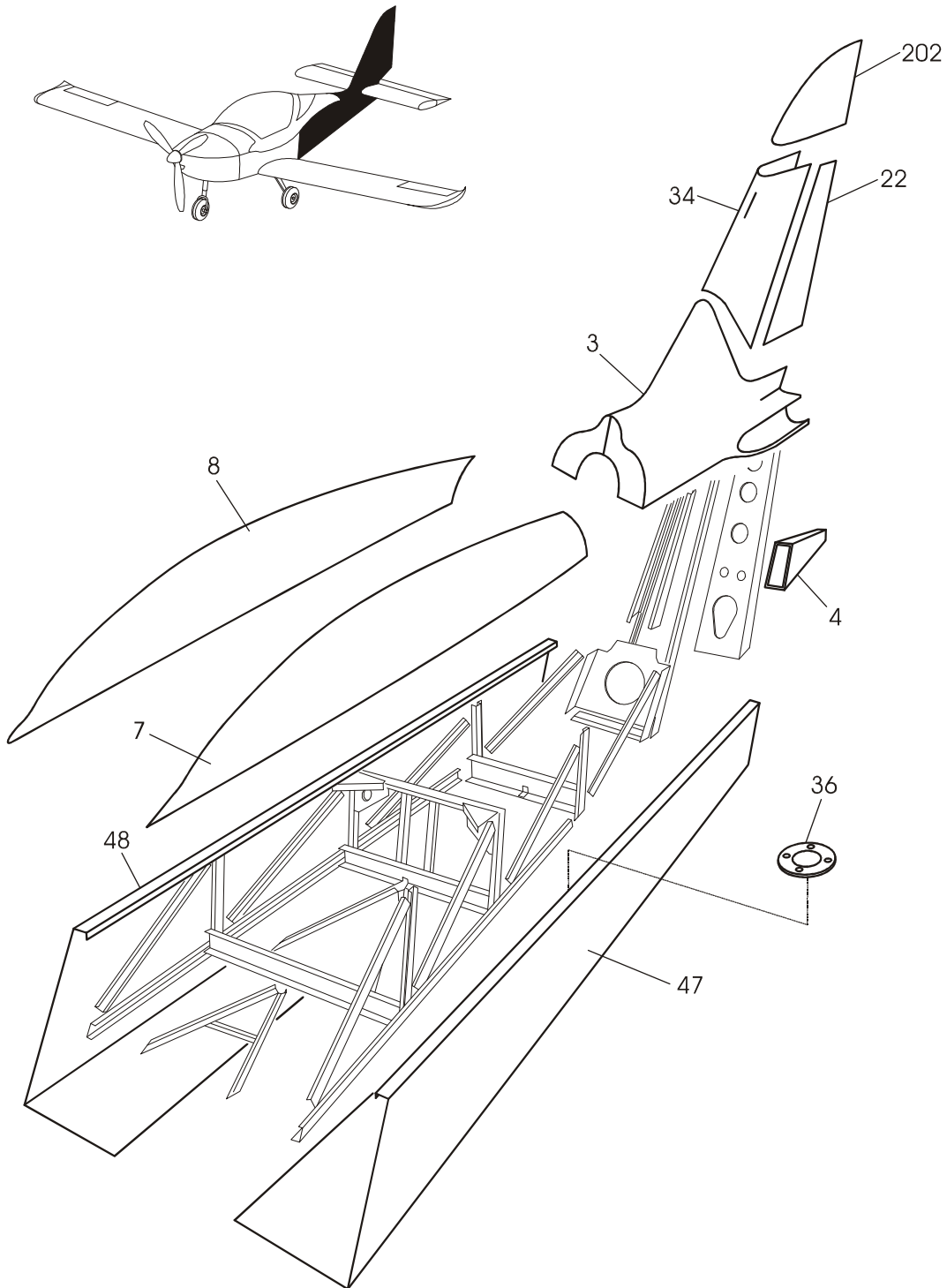
FUSELAGE					
1.6.3 Landing gear beam (S1 00-05 01)					
Pos.	Order number	Designation	Qty	Standard	Note
033	SG1 02-47 22	Bracket	1		
034	E1 02-12 21	Clutch	1		
035	SG1 02-41 21	Bracket	2		
036	SG1 02-24 21	Spar profile	1		
037	SG1 02-23 21	Shim	1		
040	033670	Nut M 8	2	ONL 3243	
701	044438	Rivet 3.2x9.5	41	MS20470AD4-6	
702	047560	Rivet 3.2x7.9	30	AVEX 1691-0410	
703	044436	Rivet 3.2x7.9	13	MS20470AD4-5	
704	044440	Rivet 3.2x11.1	30	MS20470AD4-7	
705	046023	Rivet 3.2x7.9	10	NAS1097 AD4-5	
706	044869	Rivet 4.0x12.7	8	MS20470AD5-8	
707	044870	Rivet 4.0x14.3	8	MS20470AD5-9	
708	044868	Rivet 4.0x11.1	32	MS20470AD5-7	
709	046024	Rivet 3.2x9.5	4	NAS1097 AD4-6	
710	044867	Rivet 4.0x9.5	3	MS20470AD5-6	
711	044432	Rivet 3.2x6.4	13	MS20470AD4-4	
712	047565	Blind rivet 3.2x11.2	3	AVEX 1691-0414	
713	047590	Blind rivet 3.2x9.5	4	AVEX 1604-0412	



Intentionally Left Blank



	FUSELAGE
	1.6.4 Fuselage-rear section, skins parts

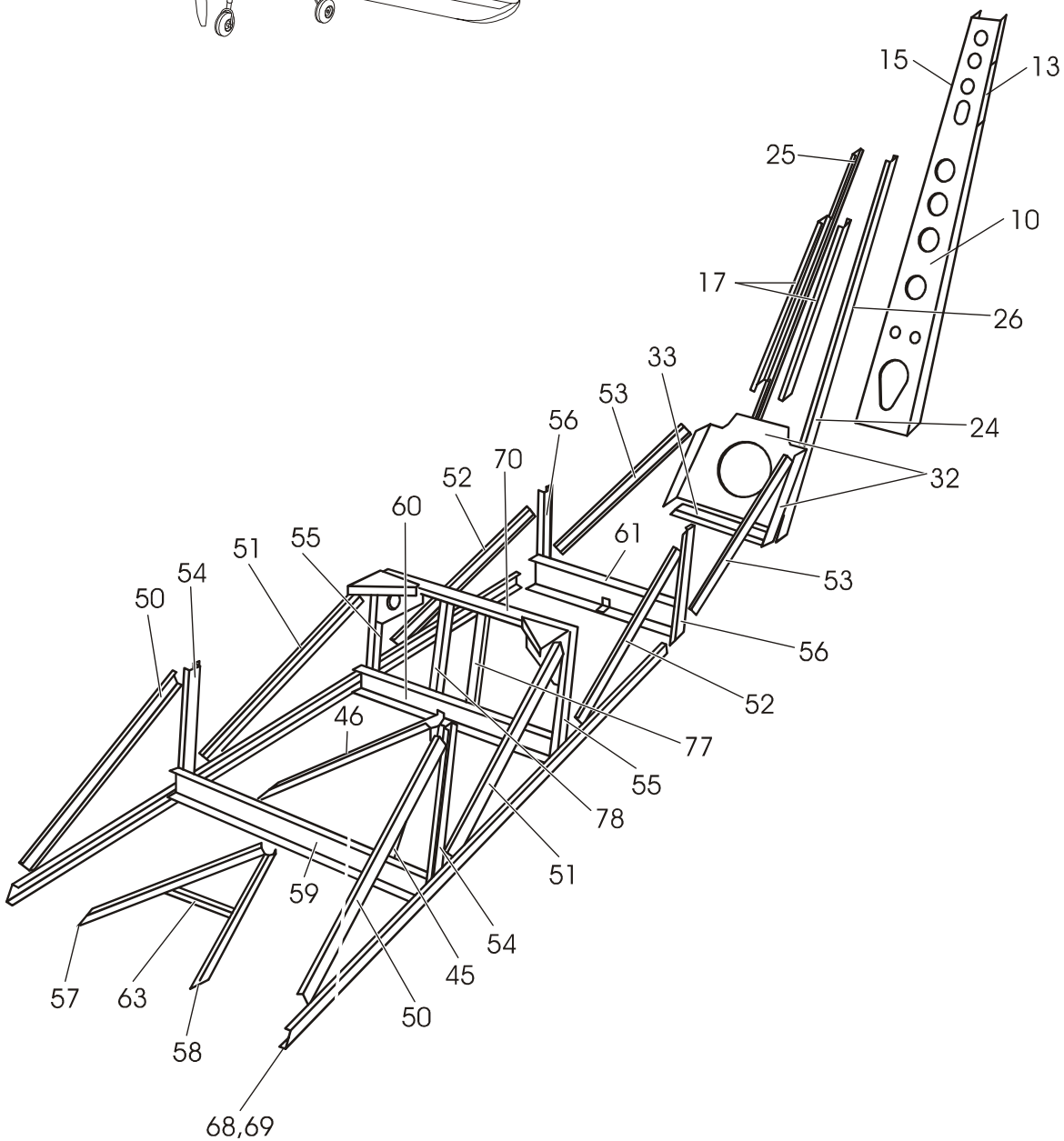
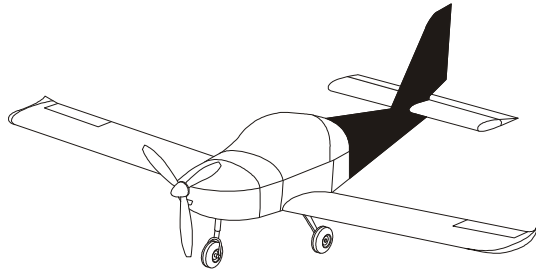




FUSELAGE					
1.6.4 Fuselage-rear section, skins, parts (S1 00-07 01)					
Pos.	Order number	Designation	Qty	Standard	Note
003	S1 55-71 01	Rear fairing	1		
004	E1 01-09 01	Fuselage rear part tip	1		
007	S1 60-02 21	Upper sheet L	1		
008	S1 60-02 22	Upper sheet R	1		
022	E1 01-18 21	Rear fin skin	1		
034	E1 01-30 21	Fin front skin	1		
036	E2 50-60 01	Cap assembly	1		
047	SG1 01-43 21	Fuselage left skin	1		
048	SG1 01-44 21	Fuselage right skin	1		
202	S1 55-72 01	Fin tip arch	1		



	FUSELAGE
	1.6.4 Fuselage-rear section, skins parts

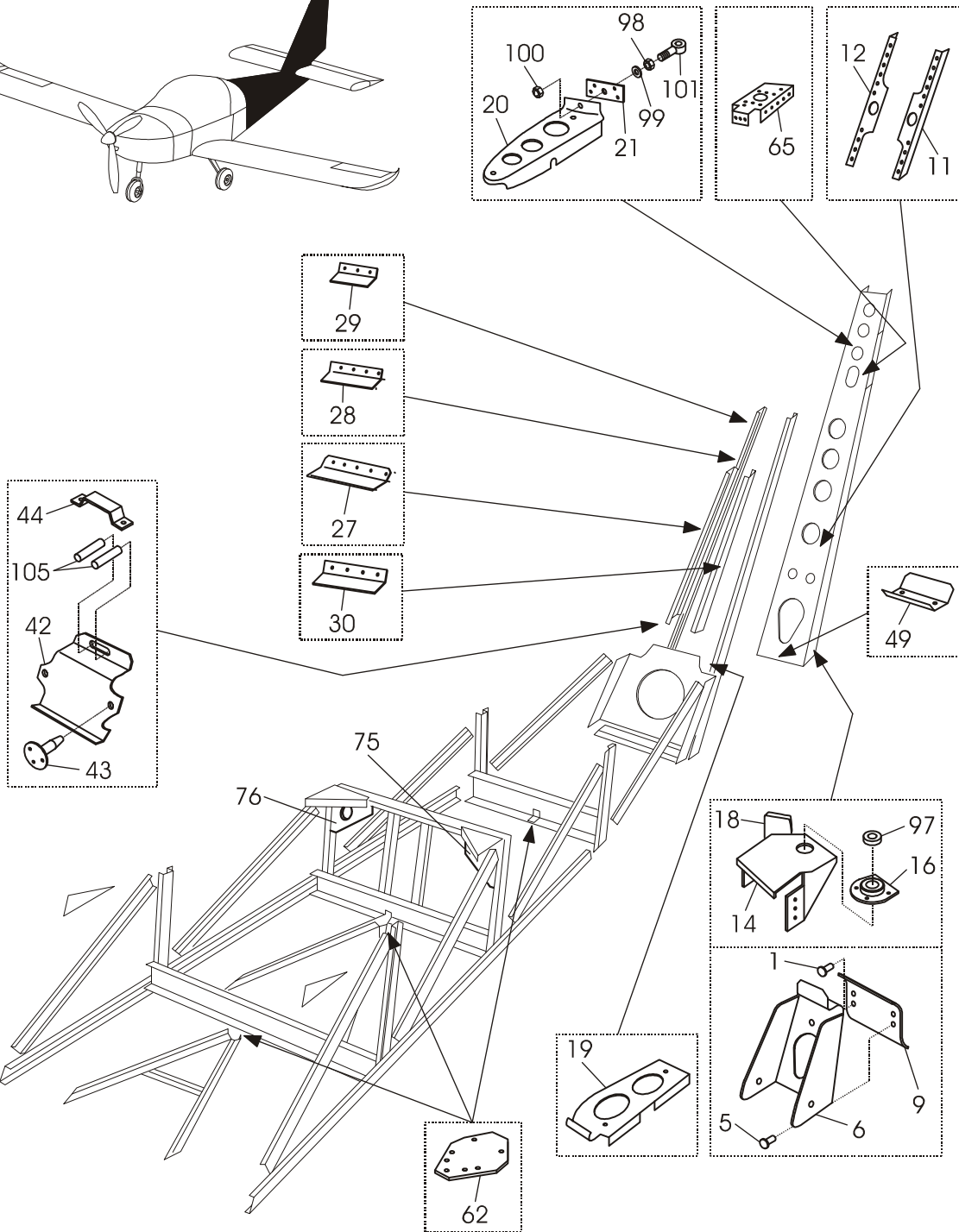
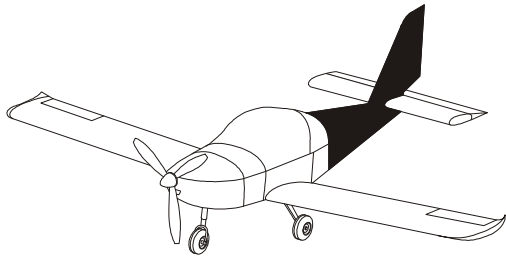




FUSELAGE					
1.6.4 Fuselage-rear section, parts (S1 00-07 01)					
Pos.	Order number	Designation	Qty	Standard	Note
010	SG1 01-01 21	Rear beam	1		
013	SG1 01-92 21	Rear flange	1		
015	SG1 01-92 22	Rear flange	1		
017	S1 00-12 21	Fin reinforcement	2		
024	SG1 01-21 21	Main strap	1		
025	SG1 01-21 22	Main strap	1		
026	SG1 01-22 21	Longeron	2		
032	SG1 01-28 21	Bulkhead	1		
033	E1 01-29 21	Coupling	1		
045	SG1 01-90 21	Inclined stiffener - left	1		
046	SG1 01-89 21	Inclined stiffener - right	1		
050	SG1 01-46 21	Diagonal stiffener 1	2		
051	SG1 01-47 21	Diagonal stiffener 2	2		
052	E1 01-48 21	Diagonal stiffener 3	2		
053	E1 01-49 21	Diagonal stiffener 4	2		
054	SG1 01-50 21	Spacer 7	2		
055	SG1 01-51 21	Spacer 8	2		
056	SG1 01-52 21	Spacer 9	2		
057	SG1 01-53 21	Lower right stiffener	1		
058	SG1 01-54 21	Lower left stiffener	1		
059	SG1 01-32 21	Bottom stiffener 7	1		
060	SG1 01-31 21	Bottom stiffener 8	1		
061	SG1 01-84 21	Bottom stiffener 9	1		
063	SG1 01-86 21	Stiffener	1		
068	S1 01-39 21	Corner stiffener	1		
069	S1 01-39 22	Corner stiffener	1		
070	SG1 01-66 21	Reinforcing profile	1		
077	SG1 01-82 21	Strut	1		
078	SG1 01-82 22	Strut	1		



	FUSELAGE
	1.6.4.Fuselage-rear section, parts





		FUSELAGE			
		1.6.4 Fuselage-rear section, parts (S1 00-07 01)			
Pos.	Order number	Designation	Qty	Standard	Note
001	SG1 01-12 01	Completed pin	1		
005	SG1 01-12 02	Completed pin	1		
006	SG1 01-02 21	End wall	1		
009	SG1 01-05 21	Stabilizer rear hinge	1		
011	SG1 01-91 21	Insert	1		
012	SG1 01-91 22	Insert	1		
014	E1 01-10 21	Lower hinge	1		
016	E1 01-12 21	Bearing housing	1		
018	E1 01-11 21	Stiffener	1		
019	E1 01-15 21	Under rib	1		
020	E1 01-16 21	Upper rib	1		
021	SG1 01-17 21	Shim 2	1		
027	SG1 01-23 21	Stiffener 1	1		
028	E1 01-24 21	Stiffener 2	1		
029	E1 01-25 21	Stiffener 3	1		
030	S1 00-11 21	Cover connection	1		
042	E1 01-38 21	Stabilizer front hinge	1		
043	E1 01-39 21	Pin	2		
044	E1 01-40 21	Cable duct	1		
049	SG1 01-87 21	Stiffener	1		
062	E1 01-80 21	External stiffener	3		
065	SG1 15-01 01	Antenna rib-assy	1		
075	E1 01-81 21	Bracket	1		
076	E1 01-81 22	Bracket	1		
097	048315	Bearing SM6	1	CSN 02 3515	
098	031552	Nut M 8	1	ISO 4035	
099	038241	Washer 8.4	1	DIN 463	
100	033870	Nut M 8	1	DIN 980 V	
101	079575	Lug 8x14x6	1	ONL 3779.1	
105	083960	Tube 8x1	2		



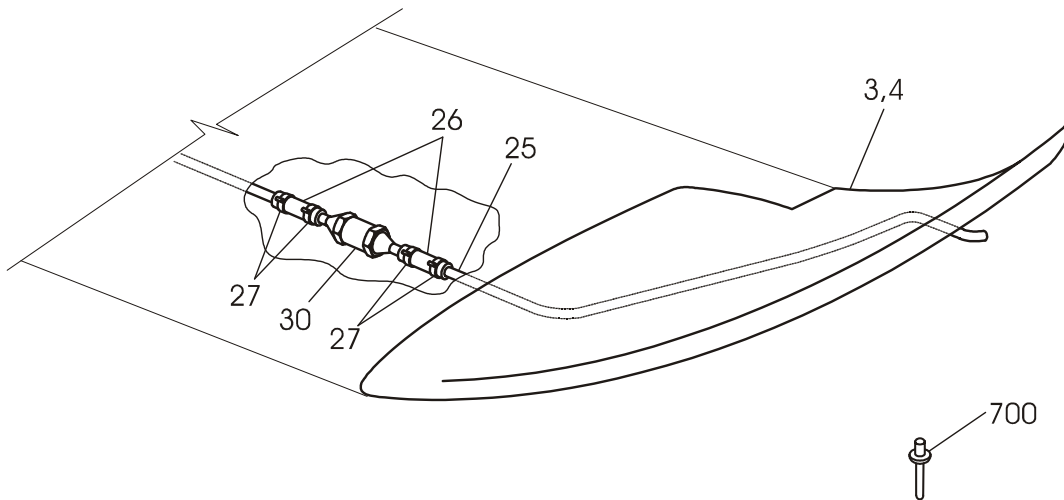
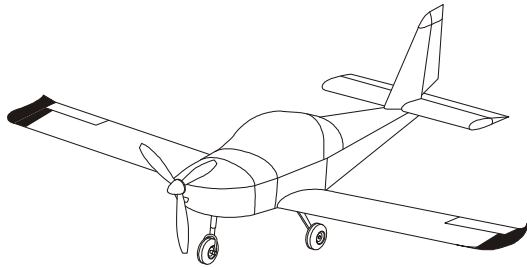
Intentionally Left Blank



2 WING



	WING
	2.1 Wing

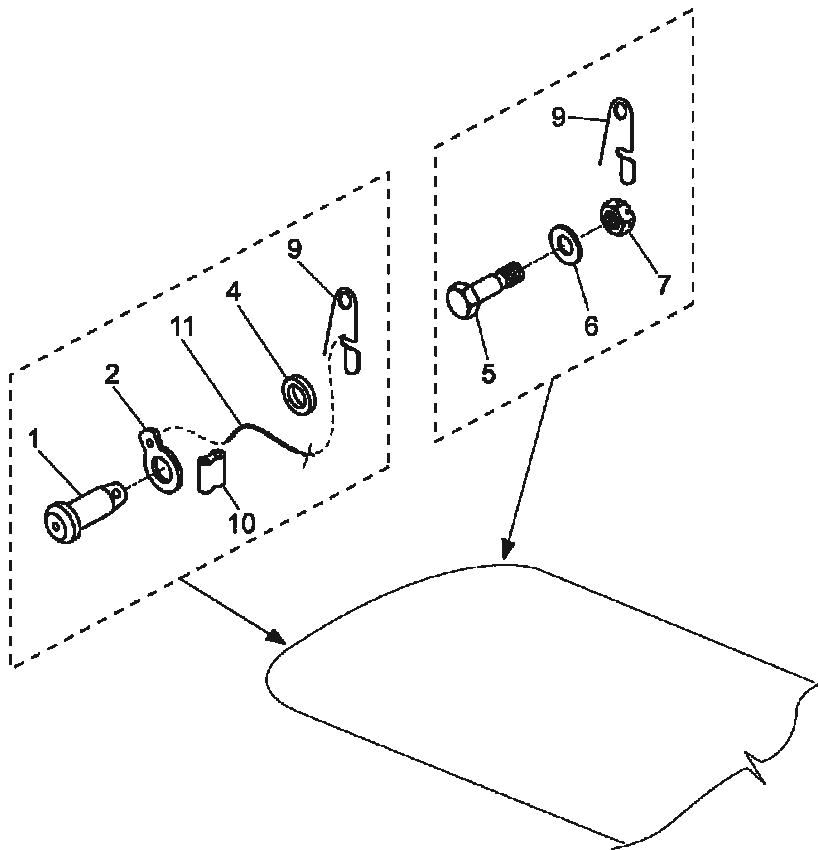
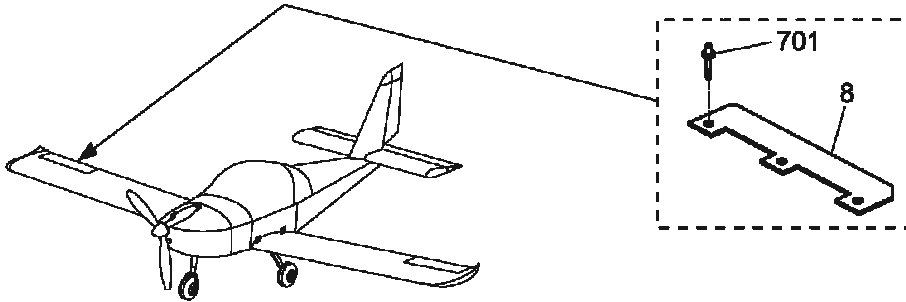




WING					
2.1 Wing (S0 00-19 01)					
Pos.	Order number	Designation	Qty	Standard	Note
003	E2 40-22 01	Wing tip for position light LH	1		
004	E2 40-22 02	Wing tip for position light RH	1		
025	S2 10-48 01	Bleeding tube	2		
026	056466	Hose for engine fuels FUB 386	1		2.50 m
027	074506	Clip Cobra 11/7	8		
030	081833	One-way check valve CK250E-B	2		
700	047560	Rivet 3.2x7.9	59	AVEX 1691-0410	for one wingtip



	WING
	2.1.1 Wing mounting

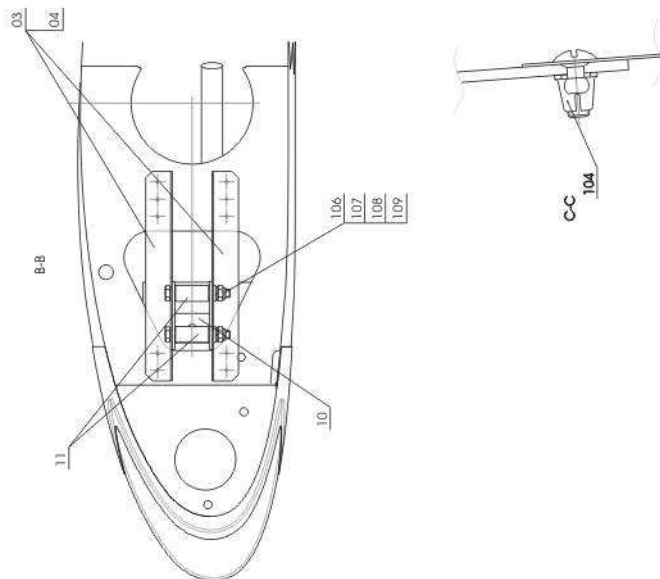
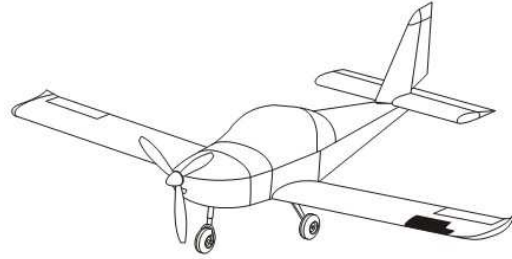
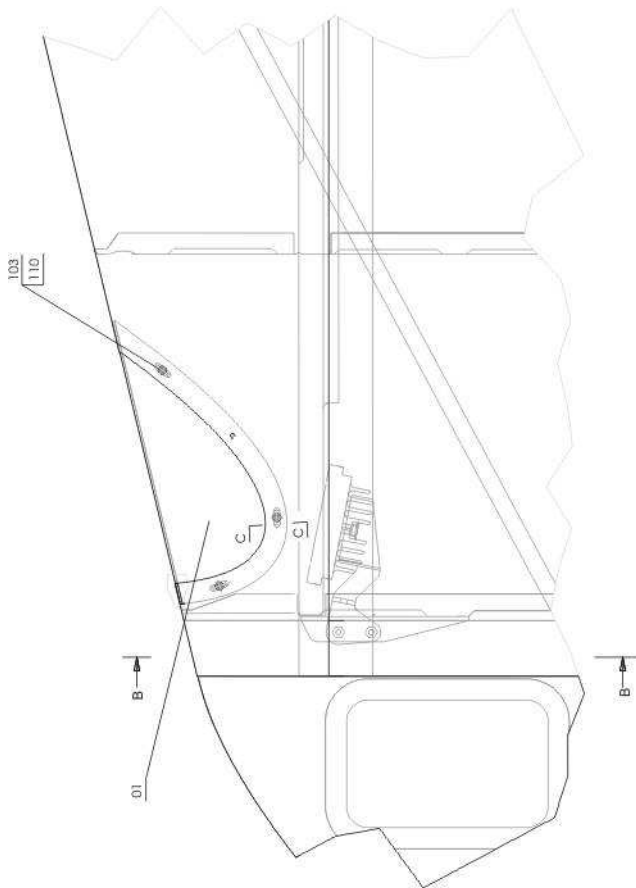




WING					
2.1.1 Wing mounting (S0 00-19 01)					
Pos.	Order number	Designation	Qty	Standard	Note
001	SG0 20-01 21	Pin 16	4		
002	S0 20-00 21	Spacer	2		
004	038677	Templet Ring 16	4	BN 739	
005	017800	Bolt M 8x23	2	ONL 3120.14	
006	038208	Washer 8.4	2	ISO 7089	
007	033857	Nut M 8	2	DIN 935	
008	E3 02-21 21	Fletner	1		
009	086381	Safety pin 1.5	6	1.4310	
010	058749	Terminal Nicopress	4		
011	084508	Silon	1		
701	047556	Blind rivet 3.0x6.7	3	AVEX 1691-5307	



	WING
	2.1.2 Wing modification-A715 Landing light



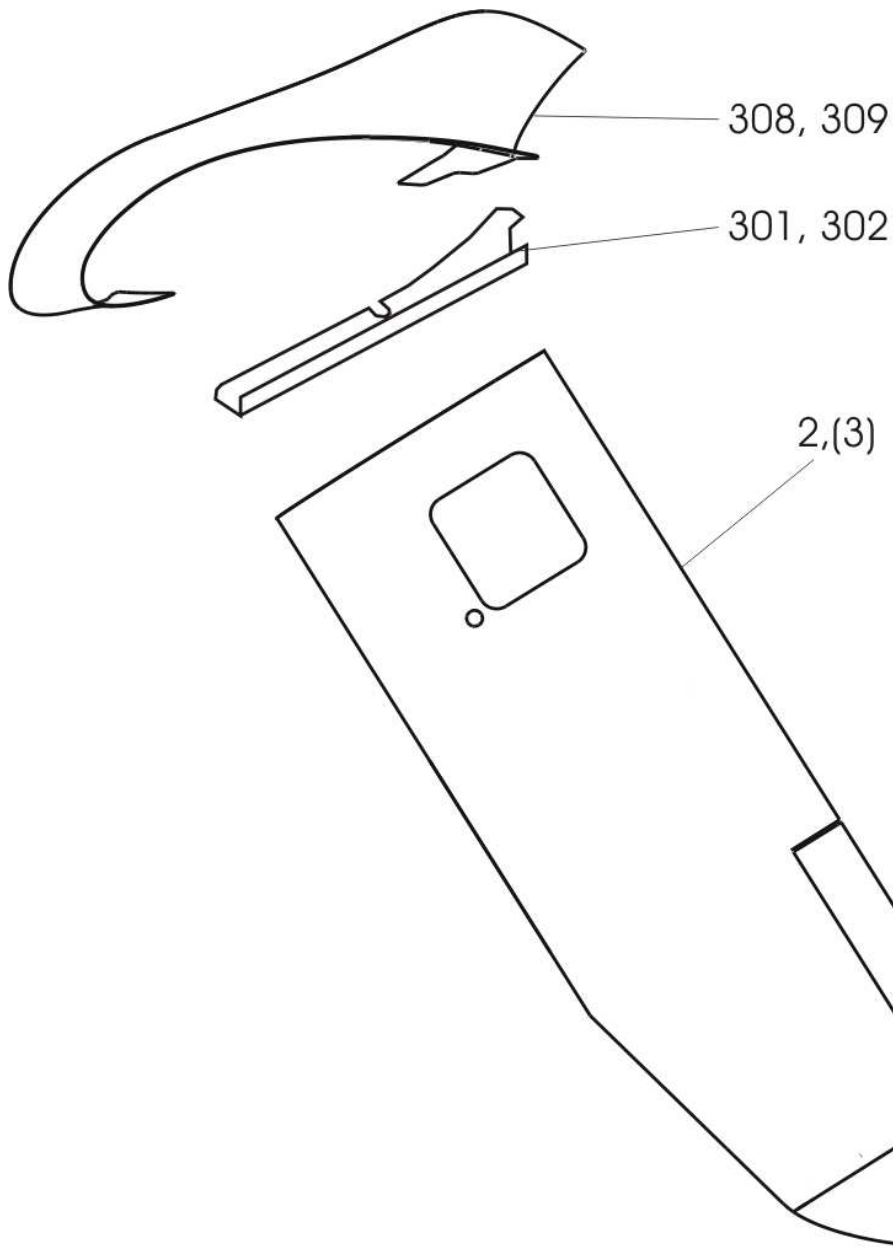
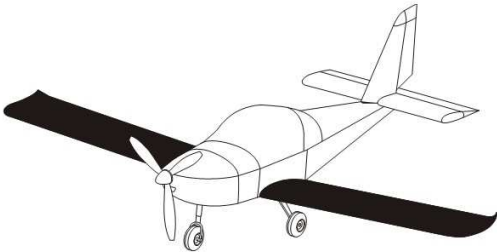


WING					
2.1.2. Wing modification-A715 Landing light (S2 55-01 01)					
Pos.	Order number	Designation	Qty	Standard	Note
001	E2 40-14 21	Lexan	1		
003	S2 55-07 21	Holder L	1		
004	S2 55-07 22	Holder R	1		
010	E2 55-13 21	Attachement	1		
011	E2 55-14 21	Spacer	2		
103	004985	Screw M 4x12	8	ECO-FIX	
104	033651	Nutt M 4	8	OST 1 33264-89	
106	000667	Screw M 6x45	2	ISO 4014	
107	038206	Washer 6.4	2	ISO 7089	
108	037090	Washer 6.1	2	DIN 7980	
109	033860	Nut M 6	2	DIN 980 V	
110	038237	Washer 3.7	8	ISO 7089	
700	047590	Rivet 3.2x9.5	12	AVEX 1604-0412	
701	047560	Rivet 3.2x7.9	10	AVEX 1691-0410	



WING

2.1.3 Wing and wing fairings

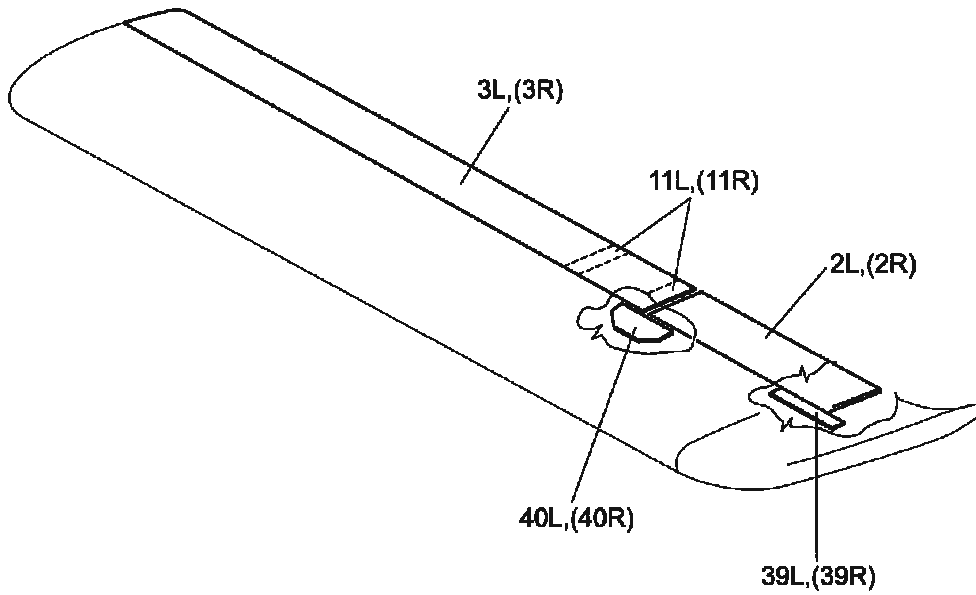
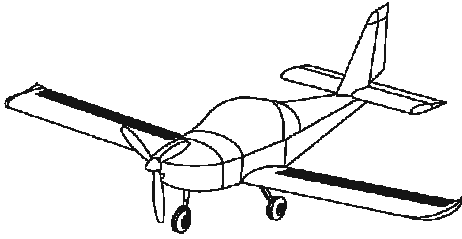




WING					
2.1.3 Wing and wing fairings					
Pos.	Order number	Designation	Qty	Standard	Note
002	S2 23-10 01	Wing LH	1		
003	S2 23-10 02	Wing RH	1		
301	E0 23-01 21	Lower fairing	1		
302	E0 23-01 22	Lower fairing	1		
308	E2 40-23 01	Upper fairing	1		
309	E2 40-23 02	Upper fairing	1		



	WING
	2.1.4 Ailerons, flaps

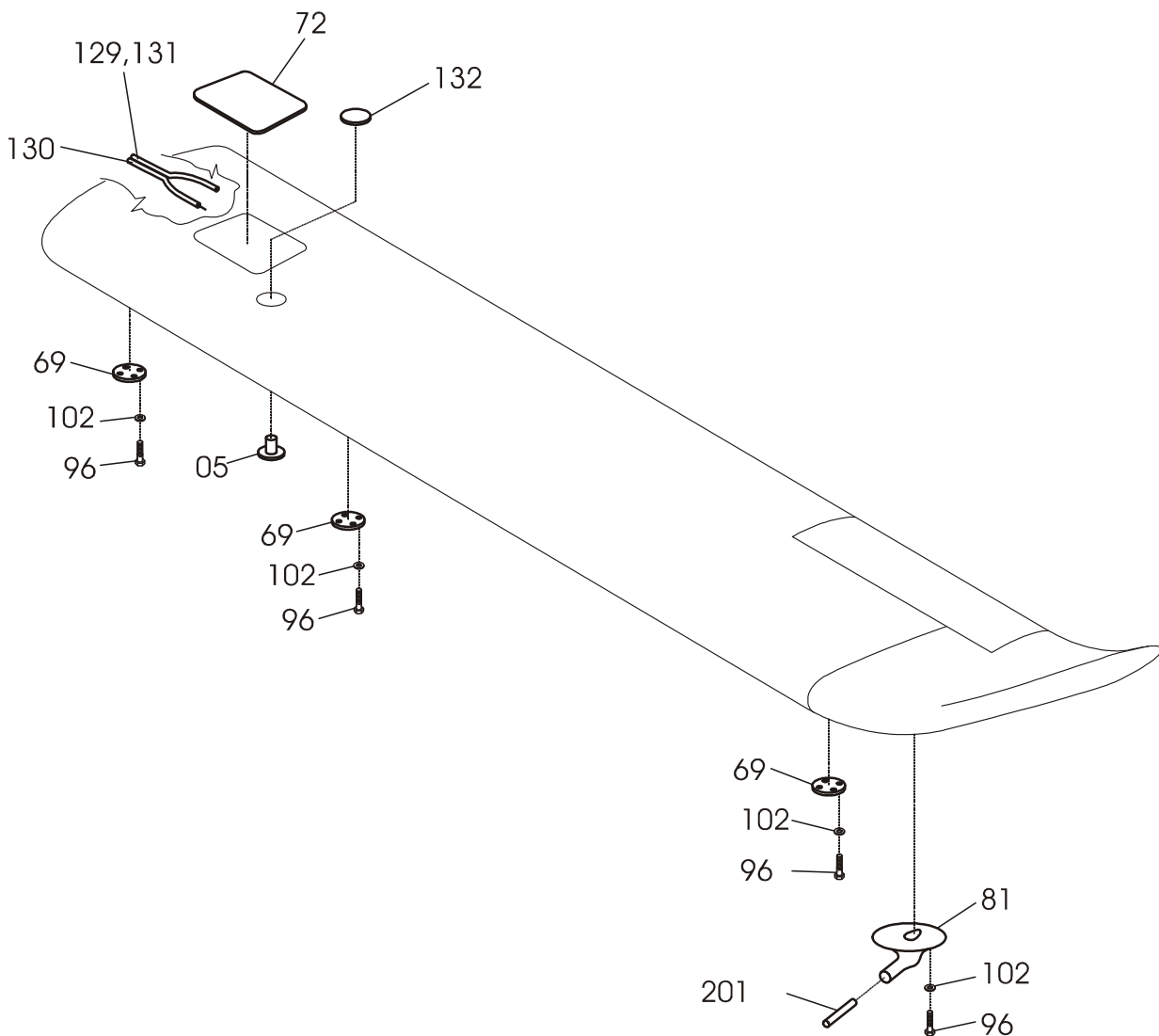
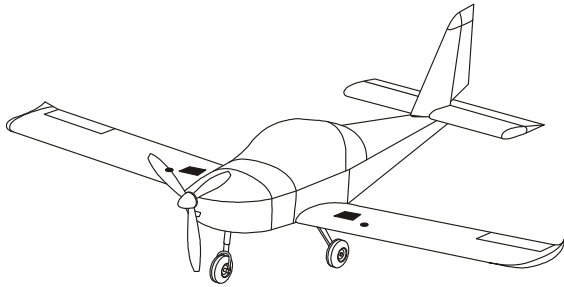




WING					
2.1.4 Ailerons , flaps					
Pos.	Order number	Designation	Qty	Standard	Note
002L	S2 23-01 01	LH Aileron	1		
002R	S2 23-01 02	RH Aileron	1		
003L	S2 01-03 01	Flap - L	1		
003R	S2 01-03 02	Flap - R	1		
011L	762391	Rib R	5+2		
011R	762291	Rib L	5+2		
039L	E2 40-13 21	Spar ending L	1		
039R	E2 40-13 22	Spar ending R	1		
040L	762248	Stiffener	1		
040R	762249	Stiffener	1		



	WING
	2.1.5 Fuel tank, fuel caps





WING					
2.1.5 Fuel tank, fuel caps (S2 23-15 01, S2 23-15 02)					
Pos.	Order number	Designation	Qty	Standard	Note
005	080598	Drain valve	2	CCB-36450	
069	762252	Cap	2		
072	S2 10-16 21	Reservoir lid	2		
081	E2 51-01 01	Pitot tube holder	1		
096	004985	Screw M 4x12	18	ECOSYN-FIX	
102	038237	Washer 3.7	18	ISO 7089	
129	074506	Clip Cobra 11/7	2		
130	056466	Engine fuel hose FUB 386	1	ISO 4639	0,1 m
131	074508	Clip Cobra 12/8	6		
132	265811	Fuel tank lid	2		
201	080087	Pitot tube 16	1		



Intentionally Left Blank

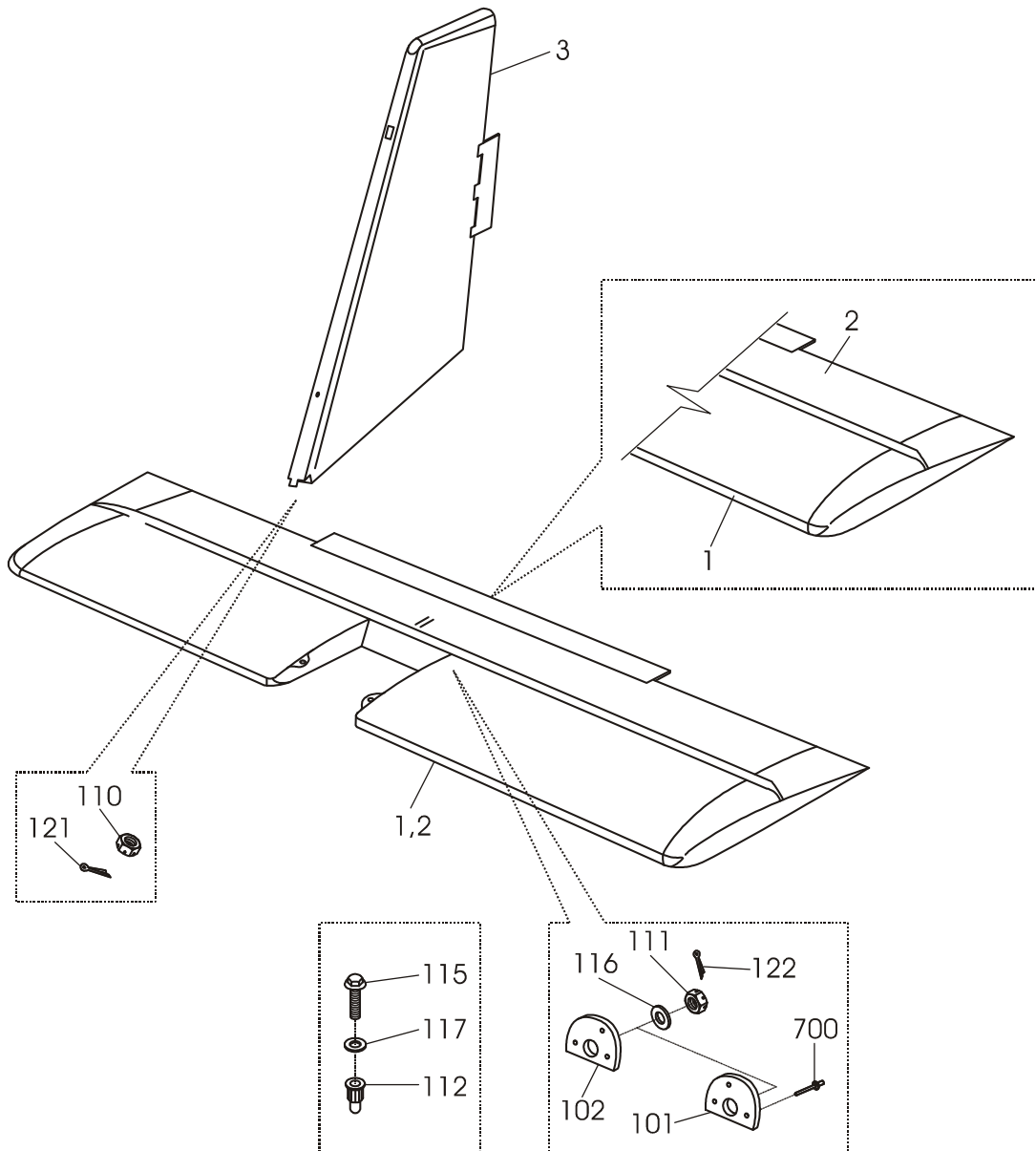
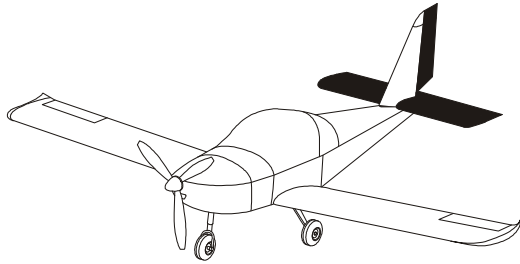


3 TAIL UNITS



TAIL UNITS

3.1 Tail units





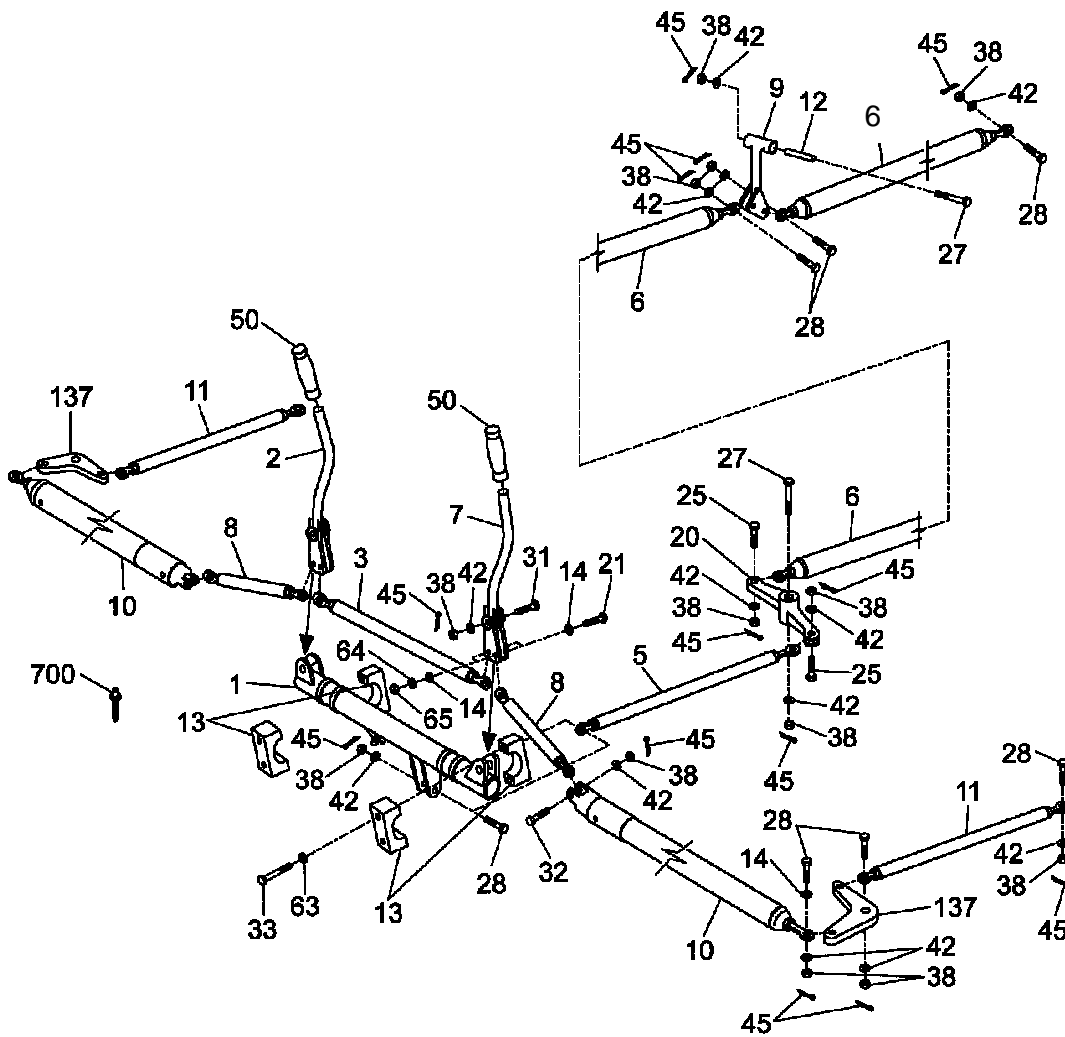
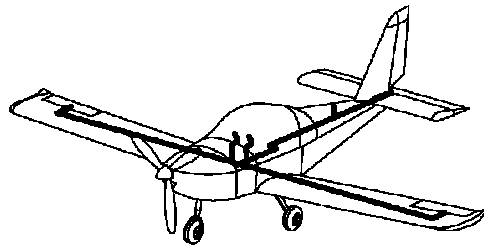
TAIL UNITS					
3.1 Tail units					
Pos.	Order number	Designation	Qty	Standard	Note
001	S3 00-06 01	Stabilizer	1		assembled
002	S3 00-07 01	Elevator	1		assembled
003	S3 00-04 01	Rudder	1		assembled
101	SG3 01-23 21	Bush	1		
102	SG3 01-23 22	Bush	1		
110	032050	Nut M 5	1	CSN 02 1411.24	
111	032350	Nut M 8	2	CSN 02 1413.44	
112	035410	Nut M 4	18	9408-2415	
115	004986	Screw M 4x16	28	ECO-FIX	
116	038208	Washer 8.4	2	ISO 7089	
117	038237	Washer 3.7	28	ISO 7089	
121	038850	Split pin 1x12	1	CSN 02 1781.05	
122	039310	Split pin 2x20	2	ISO 1234	
700	046024	Rivet 3.2x9.5	6	NAS1097 AD4-6	



4 CONTROLS



	CONTROLS
	4.1 Controls





CONTROLS					
4.1 Controls (S4 00-02 01)					
Pos.	Order number	Designation	Qty	Standard	Note
001	SG4 01-02 01	Control lever body	1		
002	SG4 01-03 01	Completed control lever	1		
003	S4 01-04 01	Control levers connecting rod	1		
005	S4 01-09 01	Rod 22	1		
006	S4 01-12 01	Rod 32	2		
007	SG4 01-03 02	Completed control lever	1		
008	S4 01-13 01	Rod 16 short	2		
009	SG4 01-19 01	Control rod holder	1		
010	S4 01-19 01	Rod 25	2		
011	S4 01-15 01	Rod 16	2		
012	SG4 01-22 21	Tube	1		
013	SG4 01-25 01	Bearing	2		
014	S4 01-30 21	Clearance ring	8		
020	SG1 02-09 01	Aileron two-armed lever	1		
021	S4 01-29 21	Bolt modified	4		
025	016650	Screw 6x25	2	ONL 3120.14	
027	017500	Screw 6x63	2	ONL 3120.14	
028	016600	Screw 6x23	10	ONL 3120.14	
031	017250	Screw 6x49	2	ONL 3120.14	
032	016700	Screw 6x27	2	ONL 3120.14	
033	012100	Screw M5x70	4	DIN 931	
038	032300	Nut M6	6	CSN 02 1413.44	
042	038266	Washer 6x1	40	DIN 988	
045	040008	Cotter pin 1.6x16	18	ISO 1234	
050	078355	Rubber grip	2		
063	037652	Washer 5.3	4	DIN 93	
064	S4 01-28 21	Lock washer	4		
065	035404	Nut M6	4	ISO 4032	
137	S4 01-11 01	Aileron two-armed lever	2		



CONTROLS					
4.1 Controls (S4 00-02 01)					
Pos.	Order number	Designation	Qty	Standard	Note
700	047570	Blind rivet 4.0x12.7	32	AVEX 1691-0516	

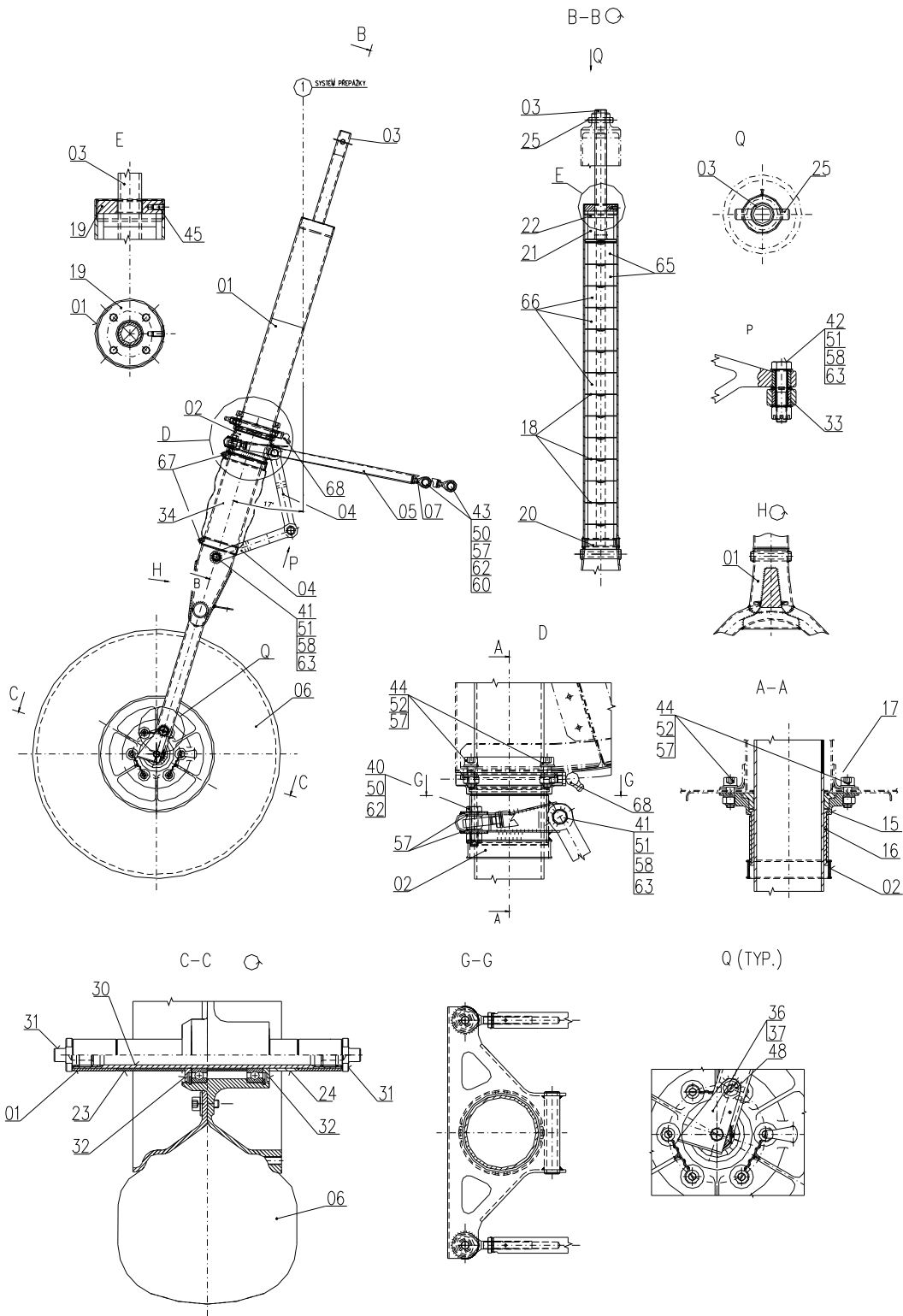


5 LANDING GEAR



LANDING GEAR

5.1 Nose landing gear





LANDING GEAR					
5.1 Nose landing gear (S0 00-32 01)					
Pos.	Order number	Designation	Qty	Standard	Note
001	G5 00-01 01	Welded leg	1		
002	G5 00-02 01	Welded leg lever	1		
003	G5 00-03 01	Welded stop	1		
004	G5 00-04 01	Nose gear shears	2		
005	G4 01-20 01	Long Rod 12	1		
006	S5 51-59 01	Nose wheel assy 15x6.00-6	1		
007	G4 01-18 01	Short Rod 12	1		
015	G5 00-01 21	Large bushing	1		
016	G5 00-02 21	Bush	1		
017	G5 00-03 21	Bush	1		
018	G5 00-04 21	Insert	14		
019	G5 00-05 21	Nose nut	1		
020	G5 00-06 21	Plug	1		
021	G5 00-07 21	Block- fitting	1		
022	G5 00-08 21	Small block- fitting	1		
023	G5 00-09 21	Spacer	1		
024	G5 00-10 21	Small spacer	1		
025	G5 00-11 21	Pivot	1		
030	G5 00-12 21	Wheel axis	1		
031	G5 21-01 21	Screw	2		
032	G5 00-14 21	Washer	2		
033	G5 00-13 21	Bush	1		
034	G5 00-16 01	Sleeve	1		
036	S5 01-11 21	Eye L	1		
037	S5 01-11 22	Eye R	1		
040	016800	Screw 6x31	2	ONL 3120.14	
041	018730	Screw 8x93	2	ONL 3120.14	
042	018200	Screw 8x41	1	ONL 3120.14	
043	016600	Screw 6x23	2	ONL 3120.14	
044	002053	Screw M6x25	4	ISO 4017	
045	011750	Screw M4x8	1	ISO 7434	

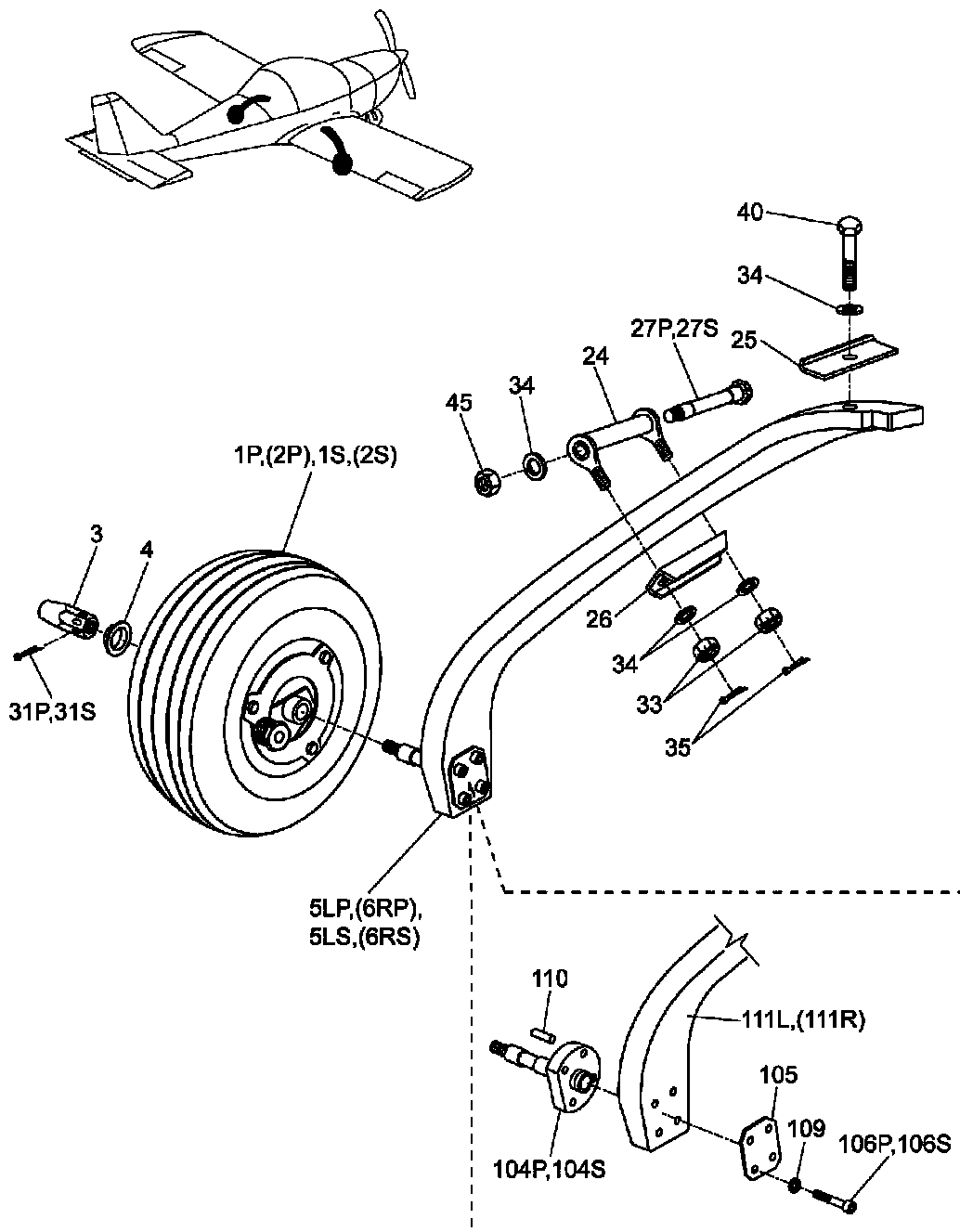


LANDING GEAR					
5.1 Nose landing gear (S0 00-32 01)					
Pos.	Order number	Designation	Qty	Standard	Note
048	015983	Screw M 6x12	2	BN 500	
050	032300	Nut M6	4	CSN 02 1413.44	
051	032350	Nut M8	3	CSN 02 1413.44	
052	033860	Nut M6	4	DIN 980 V	
060	038206	Washer 6.4	2	ISO 7089	
062	039100	Cotter pin 1.6x20	4	CSN 02 1781.05	
063	039310	Cotter pin 2x20	3	ISO 1234	
065	768063	Rubber block	2	4032 CR	
066	768062	Rubber block	12	4032 U 90	
067	055621	TORRO clamp	2	50-70/9-C7W1	
068	075570	Nipple M6	1	DIN 71412B	
701	118898	Binding wire 0.81	-		



LANDING GEAR

5.2 Main landing gear

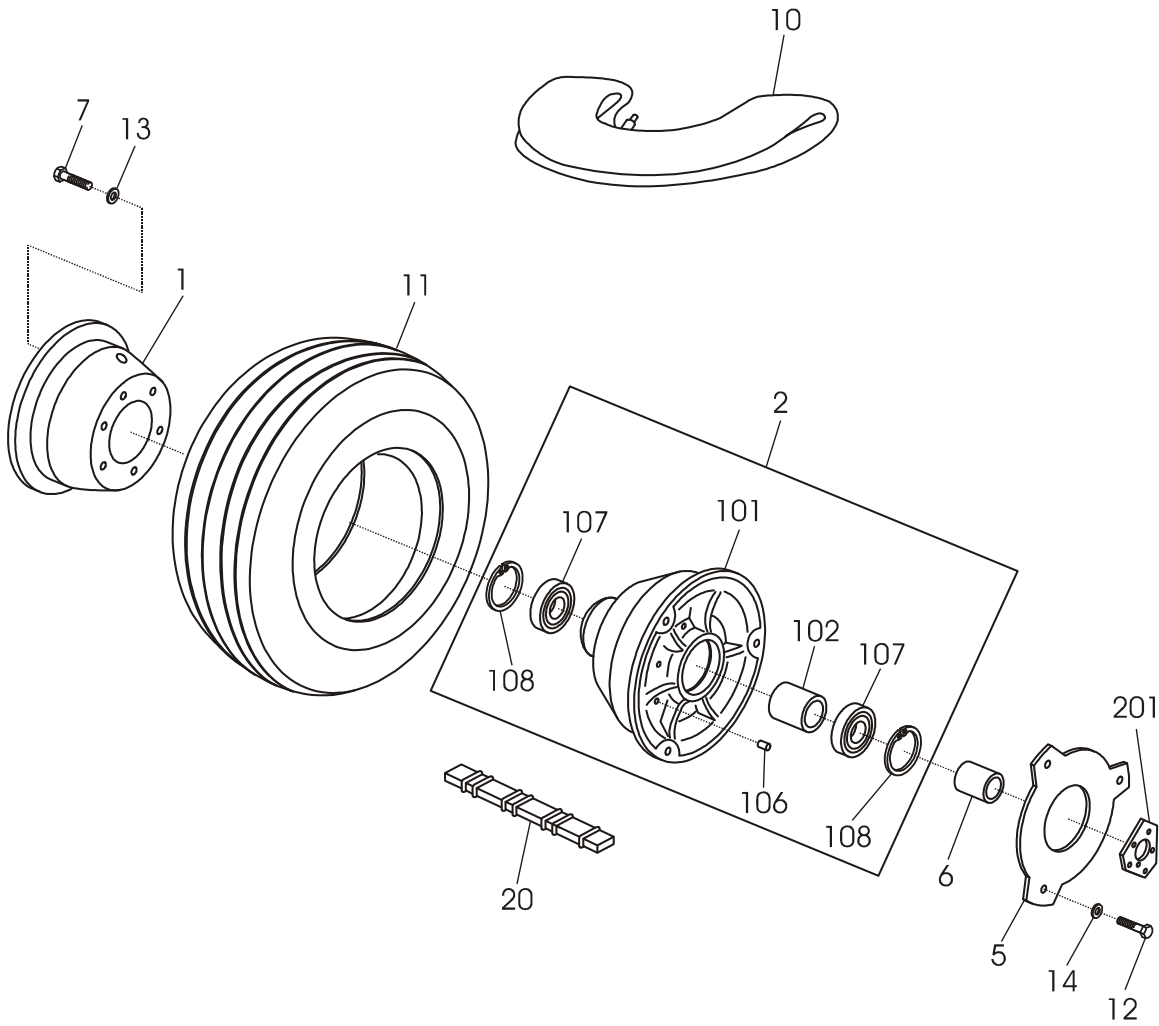




LANDING GEAR					
5.2 Main landing gear (S5 00-05 01)					
Pos.	Order number	Designation	Qty	Standard	Note
001	S5 10-00 01	Wheel with brake LH	1		
002	S5 10-00 02	Wheel with brake RH	1		
003	E5 20-10 21	Nut	2		
004	765478	Washer	2		
005L	S5 10-10 01	Leg completed LH	1		
006R	S5 10-10 02	Leg completed RH	1		
024	SG1 02-93 01	Yoke	2		
025	SG1 02-54 21	Shim	2		
026	SG1 02-90 21	Yoke	2		
027	S5 00-21 21	Pin	2		
031	040351	Split pin 4x40	2	CSN 02 1781.05	
033	032350	Nut M8	4	CSN 02 1413.44	
034	038208	Washer 8.4	8	DIN 125 A	
035	039310	Split pin 2x20	4	ISO 1234	
040	011823	Bolt M8x60	2	ISO 4762	
045	033870	Nut M8	2	ISO 7042	
104	S5 10-11 21	Main wheel axle	2		
105	E5 80-03 21	Shim	2		
106	S5 20-15 21	Bolt modified	8		
109	038692	Washer 8.7	8		
110	040634	Pin 5m6x25	8	ISO 2338	
111L	S5 08-09 01	Main land leg LH	1		
111R	S5 08-09 02	Main land leg RH	1		



	LANDING GEAR
	5.2.1 Tyre / tube

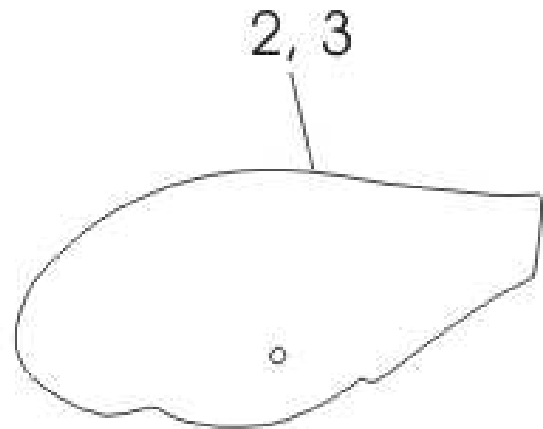
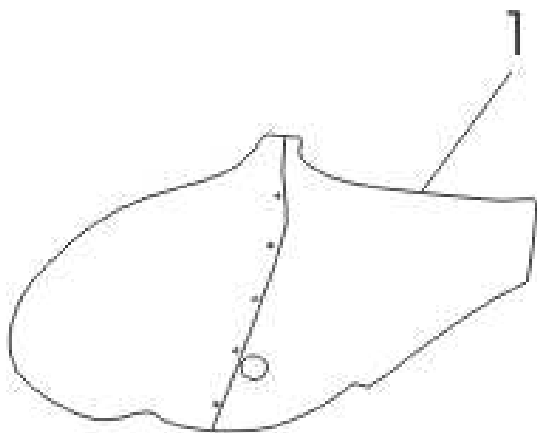
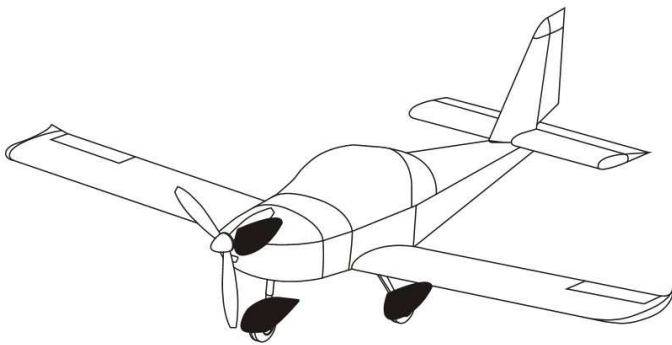




LANDING GEAR					
5.2.1 Tyre / tube (S5 10-00 01, S5 10-01 01)					
Pos.	Order number	Designation	Qty	Standard	Note
001	765253	Outer disk – machined	1		
002	S5 10-01 01	Inner disk complet	1		
005	765105	Brake disc – small	1		
006	S5 10-12 21	Spacer	1		
007	765255	Bolt modified	6		
010	764013	Tire tube Cheng Shin 15x6.00-6	1		main wheel
011	764012	Tire Cheng Shin 15x6.00-6	1		main wheel
012	002132	Screw M 8x12	3	ISO 4017	
013	036747	Washer 6.4	6	ISO 7093	
014	038241	Washer 8.4	3	DIN 463	
020	708379	Balance weight 5g, 10g	1		
101	S5 10-01 21	Inner disk	1		
102	765108	Spacer ring	1		
106	053420	Threaded insert M6x6	6	DIN 8140 A	
107	048453	Bearing 6004 ZZ	2	CSN 02 4633	
108	075276	Ring lock 42	2	CSN 02 2931	
201	S5 10-03 21	Brake holder	1		



	LANDING GEAR
	5.3 Wheel pants

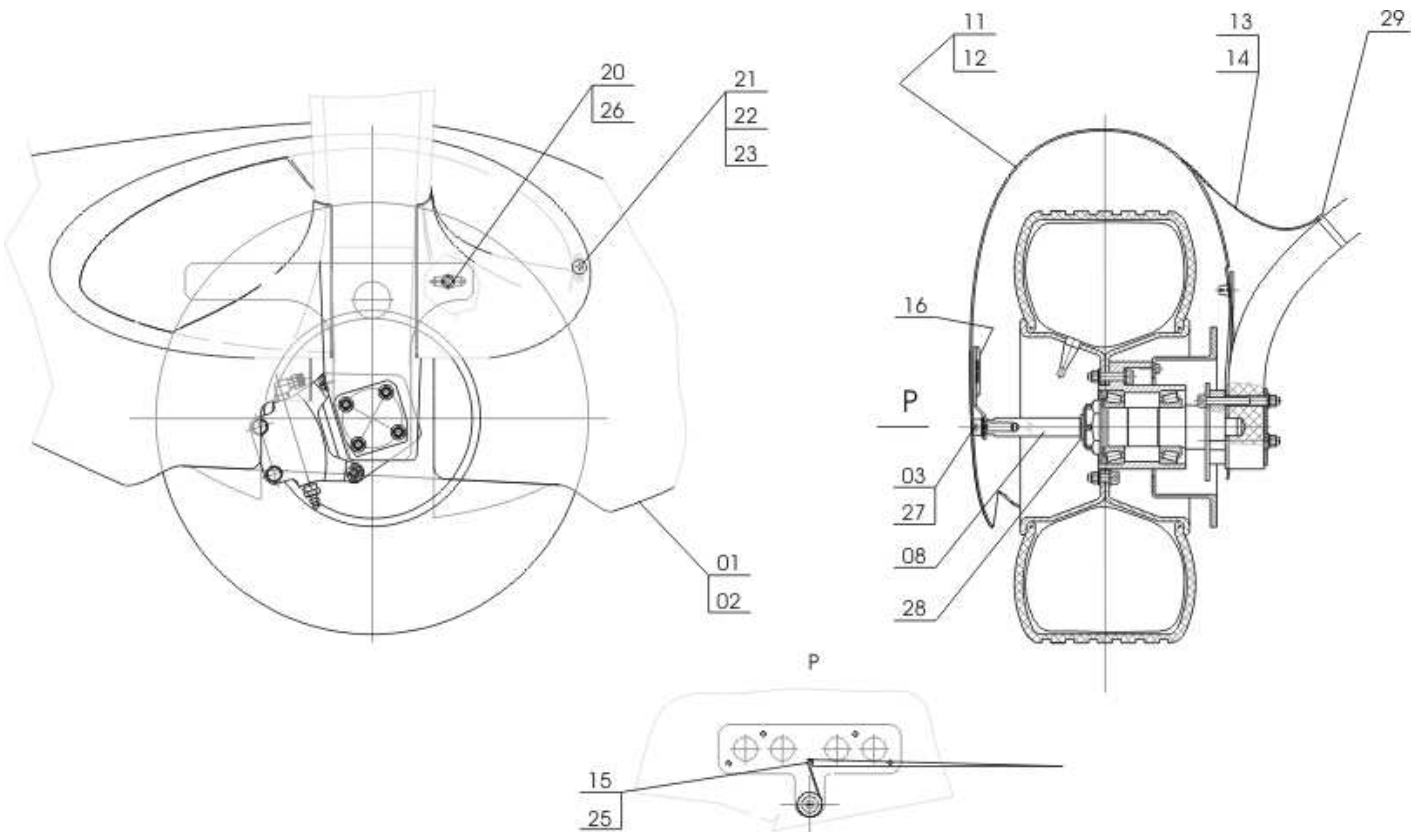
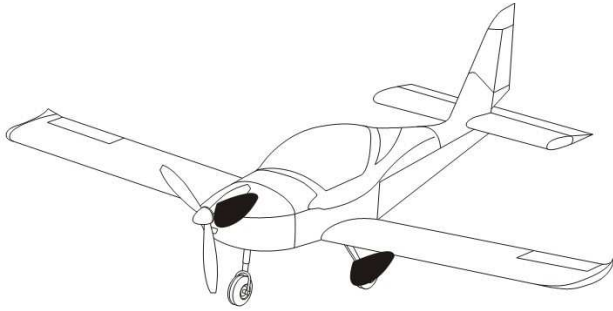




LANDING GEAR					
5.3 Wheel pants (E5 90-01 01, S5 30-11 01)					
Pos.	Order number	Designation	Qty	Standard	Note
001	E5 90-01 01	Nose wheel cover	1		
002	E5 90-03 01	Wheel cover L	1		
003	E5 90-03 02	Wheel cover R	1		



	LANDING GEAR
	5.3.1 Main wheel cover attachment

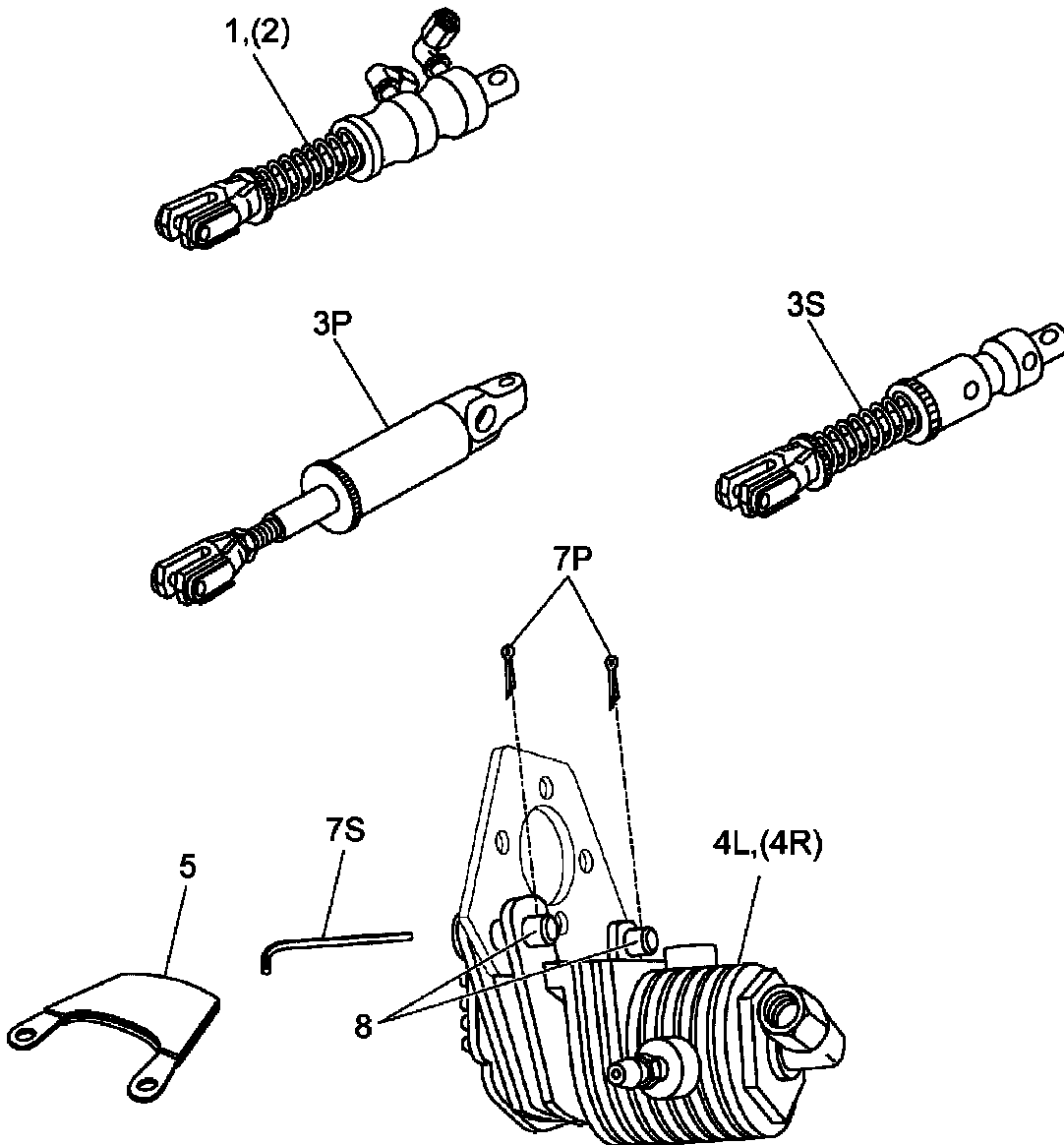




LANDING GEAR					
5.3.1 Main wheel cover attachment (S5 30-11 01)					
Pos.	Order number	Designation	Qty	Standard	Note
001	S5 30-02 01	Wing-nut completed L	1		
002	S5 30-02 02	Wing-nut completed R	1		
003	S5 30-11 21	Bolt	2		
008	S5 30-12 21	Adapter	2		
011	E5 90-03 01	Main wheel cover L	1		
012	E5 90-03 02	Main wheel cover R	1		
013	E5 90-04 01	Reducing piece L	1		
014	E5 90-04 02	Reducing piece R	1		
015	069717	Connector Faston 6.3x0.8	2	913618.HN 000	
016	E5 90-02 21	Sheet	2		
020	010985	Screw M 5x16	6	ISO 7380	
021	010985	Screw M 4x16	22	ECOSYN - FIX	
022	033651	Nut M4	22	OST1 33264-89	
023	038237	Washer 3.7	22	ISO 7089	
025	036600	Washer 4.3	2	ISO 7093	
026	038244	Washer 5.3	6	ISO 7089	
027	038208	Washer 8.4	2	ISO 7089	
028	038236	Washer 12	2	ISO 7089	
029	086866	Rubber Profile U	1		0.4 m
701	047569	Blind rivet 4.0x9.5	10	AVEX 1691-0512	
702	047590	Blind rivet 3.2x9.5	44	AVEX 1604-0412	



	LANDING GEAR
	5.4 Brake system (four pumps system)

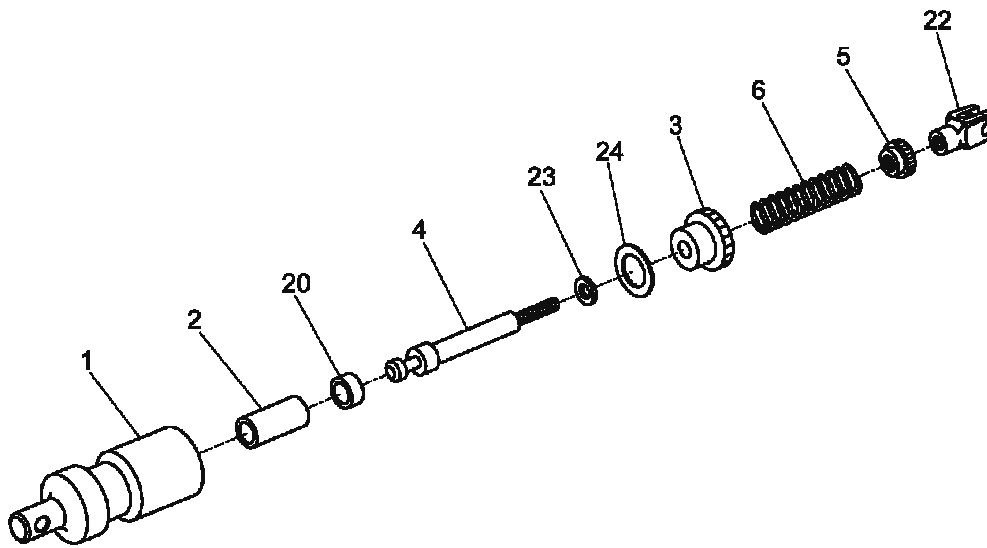




LANDING GEAR					
5.4 Brake system (four pumps system) (S5 00-51 01)					
Pos.	Order number	Designation	Qty	Standard	Note
001	E5 10-40 01	Dual pump assy LH	1		
002	E5 10-40 02	Dual pump assy RH	1		
003	S5 20-01 01	Break pump	2		
004L	765260	Brake stirrup LH	1		
004R	765259	Brake stirrup RH	1		
005	765210	Brake pad	2		for one wheel
007	S5 10-13 21	Safety pin	2		for one wheel
008	029900	Pin 8x22	2	ONL 3331.1	



	LANDING GEAR
	5.4.1 Brake pump

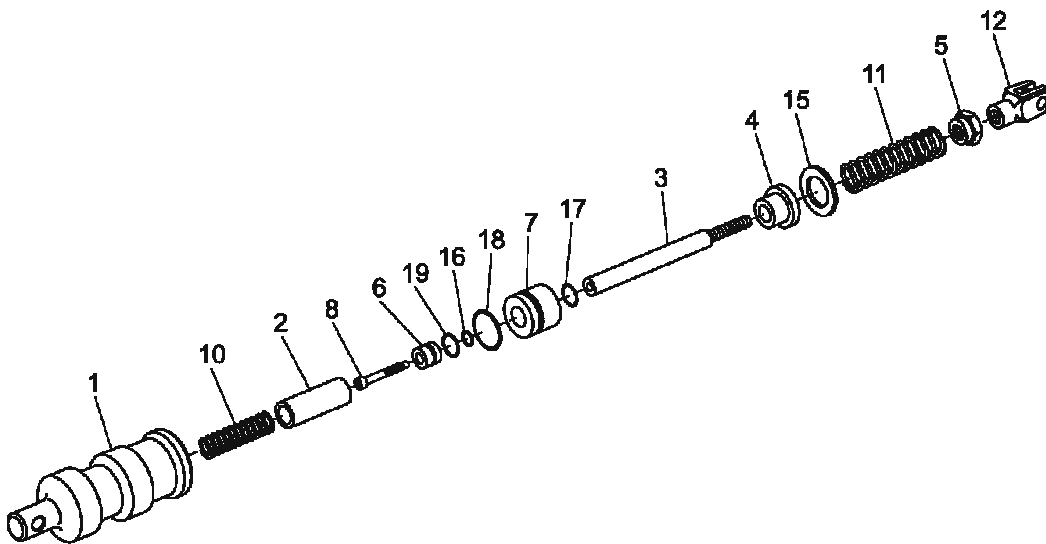




LANDING GEAR					
5.4.1 Brake pump (S5 20-01 01)					
Pos.	Order number	Designation	Qty	Standard	Note
001	S5 20-01 21	Pump casing	1		
002	E5 11-03 21	Working cylinder	1		
003	S5 20-02 21	Cover	1		
004	S5 20-03 21	Piston	1		
005	E5 10-25 21	Safety nut	1		
006	E5 10-30 21	Spring	1		
020	053822	Sleeve U 11x3x4.5	1	RUBENA 33769	
022	030090	Fork with pin 6x12	1	DIN 71752 BN 484, BN 482	
023	059292	Ring - O 7.3x2.4	1		
024	059298	Ring - O 20x1.5	1		



	LANDING GEAR
	5.4.2 Double brake pump



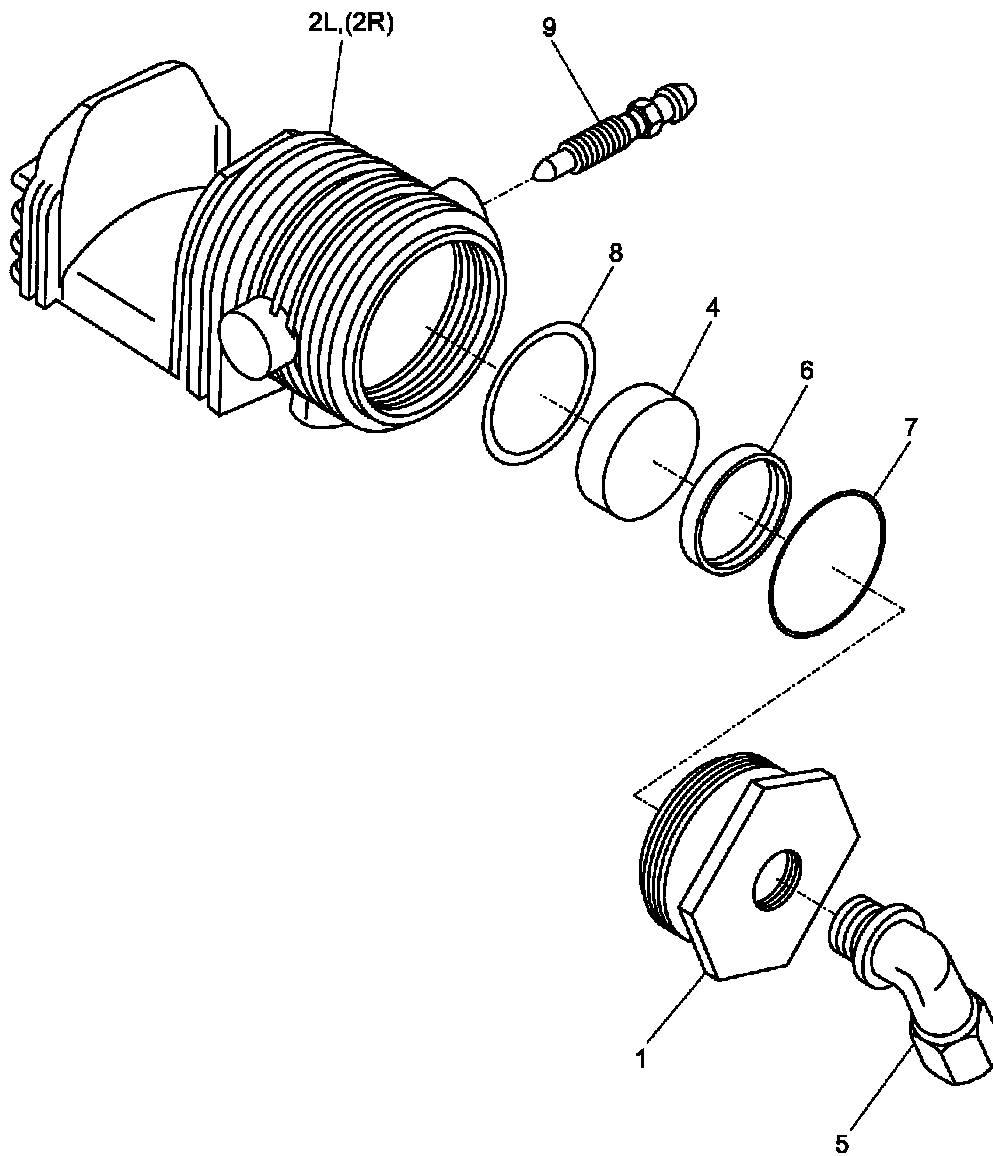


LANDING GEAR					
5.4.2. Double brake pump (E5 10-20 01/02)					
Pos.	Order number	Designation	Qty	Standard	Note
001	E5 10-21 21	Brake pump housing	1		
002	E5 10-22 21	Tube	1		
003	E5 10-23 21	Piston	1		
004	E5 10-24 21	Cylinder plug	1		
005	E5 10-25 21	Safety nut	1		
006	E5 10-26 21	Piston	1		
007	E5 10-27 21	Brake cylinder filling	1		
008	E5 10-32 21	Bolt	1		
010	E5 10-30 21	Spring	1		
011	E5 10-31 21	Spring	1		
012	030090	Fork with pin 6x12	1	DIN 71 752 BN 484, BN 482	
015	075149	Ring lock 18x1	1		
016	059289	Ring 4x2	1		
017	059292	Ring - O 7.3x2.4	1		
018	059294	Ring 11.3x2.4	1		
019	059290	Ring 5.6x2.4	1		



LANDING GEAR

5.4.3 Brake cylinder



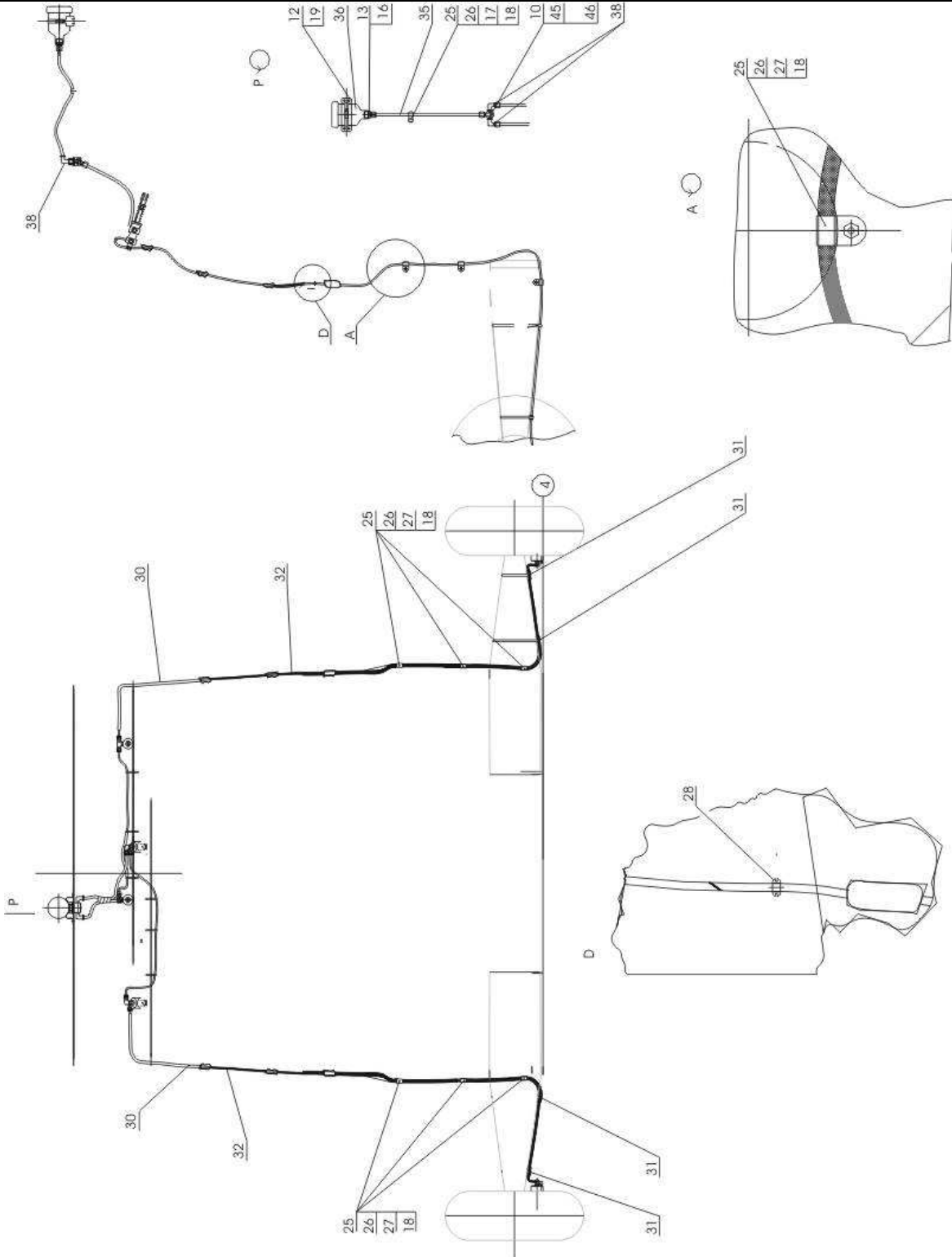


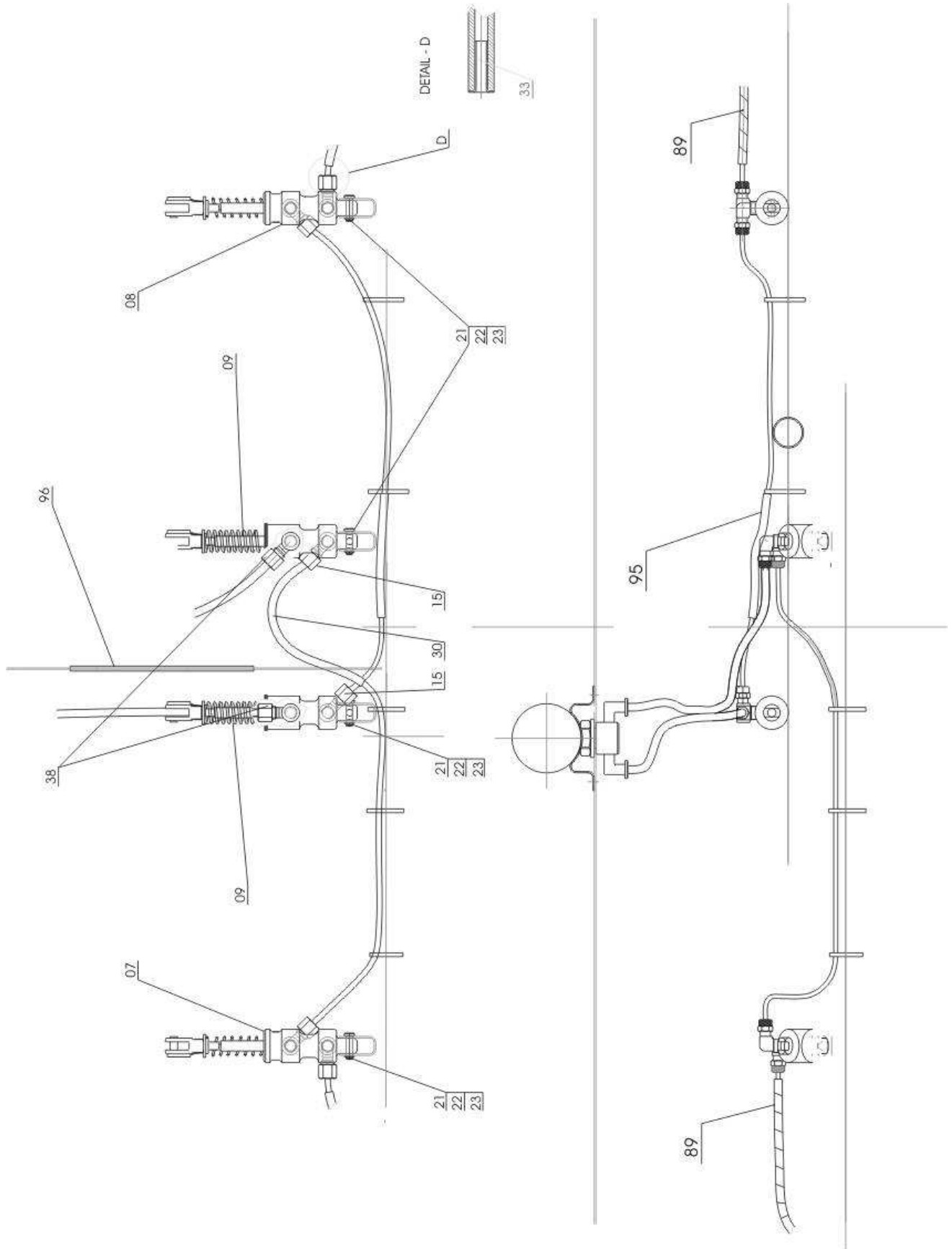
LANDING GEAR					
5.4.3.Brake cylinder					
Pos.	Order number	Designation	Qty	Standard	Note
001	765263	Plug	1		
002L	765261	Brake cylinder - LH	1		
002R	765265	Brake cylinder - RH	1		
004	765198	Piston	1		
005	765056	Angular connection set	1	CSN 13 7723	
006	053831	Sleeve	1	CSN 02 9272	
007	059297	Ring 24x3	1		
008	059296	Ring 25x2	1		
009	050874	Vent screw M6	1		



LANDING GEAR

5.4.4 Brake system







LANDING GEAR					
5.4.4 Brake system (S5 00-51 01)					
Pos.	Order number	Designation	Qty	Standard	Note
007	E5 10-40 01	Dual pump assy LH	1		
008	E5 10-40 02	Dual pump assy RH	1		
009	S5 20-01 01	Break pump	2		
010	E5 00-61 21	Coupling	1		
012	E5 60-03 21	Bracket	1		
013	E5 00-62 21	Coupling	1		
015	765056	Angular connection set	2	CSN 13 7723	
016	081690	Prima connections with outside thread	1	SERIE 1020	
017	033850	Nut M 4	1	DIN 980 V	
018	038204	Washer 4.3	7	ISO 7089	
019	055621	Torro clamp	1	DIN 3017	
021	028698	Pin 5x20	4	ONL 3331.1	
022	038193	Washer 5.3	4	ISO 7089	
023	040002	Split pin 1.6x12	4	ISO 1234	
025	059602	Clamp 1x6	7	AEN 4322.5	
026	004985	Screw M 4x12	7	ECO-FIX	
027	035410	Nut M 4	6	9408-2415	
028	076803	Bushing 4.5x1	2	CSN 63 3881.3	
029	060332	Fastener band 2.5x99	4	580989.HN 000	
030	079875	Protective spiral	1	SR 1794	0,8 m
031	060371	Fastener band 4.8x360	4	580994.HN 000	
032	765054	Brake hose Flexion	1		10 m
033	047578	Rivet 2x0.3x8	8	DIN 7340 A	
035	056546	Hose Aerotec Pa	1		2 m
036	089250	Air gun pot R100	1		
038	765080	Angular connection with external thread 6/4 - 1/8	5		
045	031920	Nut M16x1	1	DIN 439B	
046	036345	Washer 17	1	ISO 7089	

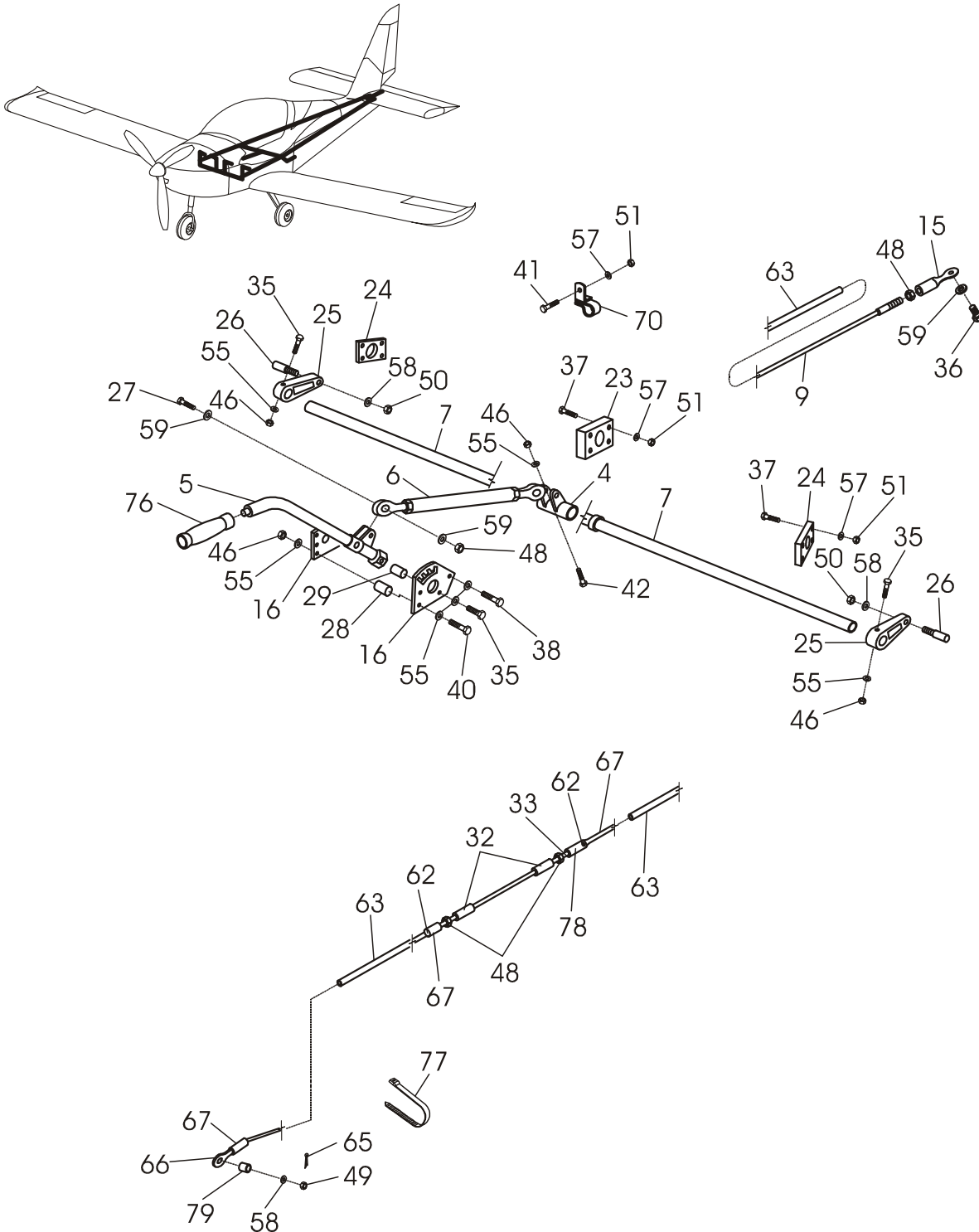


LANDING GEAR					
5.4.4 Brake system (S5 00-51 01)					
Pos.	Order number	Designation	Qty	Standard	Note
089	079876	Protective spiral	1	SR1794	0.1 m
095	083960	Tube 8x1	1	VESTAMID	0.5 m
096	086866	Rubber profile U	1	NBR,60°Sh,Black	0.2 m
700	11235	Rivet 4x11.5	4	AVINOX	



LANDING GEAR

5.5 Rudder and flaps control





		LANDING GEAR			
		5.5 Rudder and flaps control (S4 00-91 01)			
Pos.	Order number	Designation	Qty	Standard	Note
004	E4 01-08 01	Single arm lever	1		
005	S4 01-16 01	Flap control lever-assy	1		
006	S4 01-20 01	Rod 14	1		
007	S4 01-08 01	Torison tube	1		
009	E4 00-03 01	Rope	2		
015	E4 01-49 21	Cable termination	2		
016	E4 01-01 21	Device body	2		
023	764407	Bearing	1		
024	E4 85-01 21	Bearing	2		
025	764403	Lever	2		
026	764411	Excentric pin	2		
027	764453	Pin	1		
028	764451	Spacer	1		
029	764452	Spacer	1		
032	S4 02-42 21	Bolt	4		
033	S4 02-43 21	Bolt	4		
035	017050	Screw M6x41	3	ONL 3120.24	
036	016600	Screw M6x23	3	ONL 3120.14	
037	001461	Screw M4x20	12	ISO 4017	
038	011872	Screw M6x12	2	ISO 10642 DIN 7991	
040	017100	Screw M6x43	1	ONL 3120.14	
041	001691	Screw M4x10	4	ISO 4017	
042	016850	Screw M6x33	1	ONL 3120.14	
046	033860	Self locking nut M6	8	DIN 980 V	
048	031901	Nut M 6	7	ISO 4035	
049	032350	Nut M8	2	CSN 02 1413.44	
050	033870	Nut M8	2	DIN 980 V	
051	033850	Nut M 4	16	DIN 980 V	
055	038206	Washer 6.4	28	ISO 7089	
057	038204	Washer 4.3	29	ISO 7089	
058	038208	Washer 8.4	8	ISO 7089	



LANDING GEAR					
5.5 Rudder and flaps control (S4 00-91 01)					
Pos.	Order number	Designation	Qty	Standard	Note
059	038126	Washer 6.4	4	DIN 463	
062	E4 01-50 21	Cable	4		
063	083960	Tube 8/1	1		4 m
064	040002	Split pin 1.6x12	5	ISO 1234	
065	039310	Split pin 2x20	2	ISO 1234	
066	058430	Eyepiece	2	DIN 6899	
067	058750	Tost clamp (nicopress clamp)	6	MS51844-24	
070	079611	Tie 1x8	2	AEN 3488.2	
077	060332	Fastener band 2.5x99	6	PLT1M-C	
078	088088	Shrink hose rnf-3000	1		0,4m
079	E4 01-65 21	Bush	2		

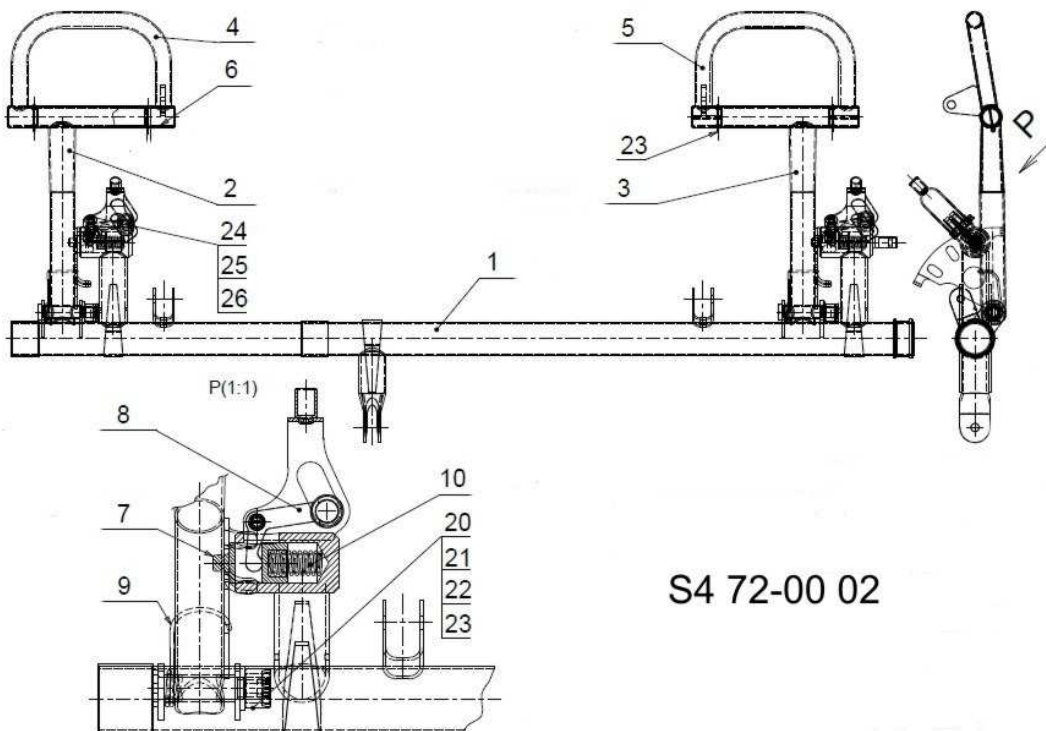
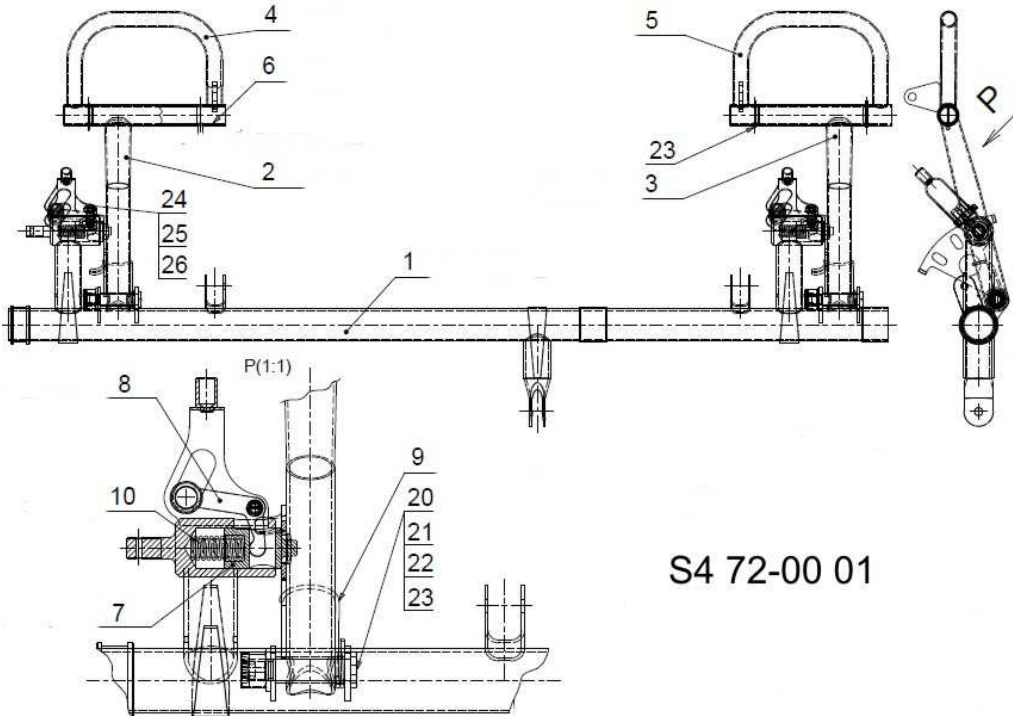


Intentionally Left Blank



LANDING GEAR

5.6 Pedal assy LH (S4 72-00 01), pedal assy RH (S4 72-00 02)





LANDING GEAR					
5.6 Pedal assy LH (S4 72-00 01)					
Pos.	Order number	Designation	Qty	Standard	Note
001	S4 72-01 01	Break body L	1		
002	S4 70-03 01	Left pedal - L	1		
003	S4 70-04 01	Left pedal - R	1		
004	E4 40-14 01	Double side brake pedal - L	1		
005	E4 40-14 02	Double side brake pedal - R	1		
006	E4 40-17 21	Tube	2		
007	S4 72-05 21	Latch	2		
008	S4 72-06 01	Lever - welded	2		
009	S4 72-09 21	Pedal's spring	2		
010	506324	Spring 1x9x25x10	2	CSN 02 6020.0	
020	018250	Screw 8x43	2	ONL 3120.14	
021	032253	Nut M8	2	ISO 7038	
022	038208	Washer 8.4	2	ISO 7089	
023	039310	Split pin 2x20	6	ISO 1234	
024	026701	Pin 4x20	2	AEN 3331.1	
025	038204	Washer 4.3	4	ISO 7089	
026	038800	Split pin 1x10	2	CSN 02 1781.04	



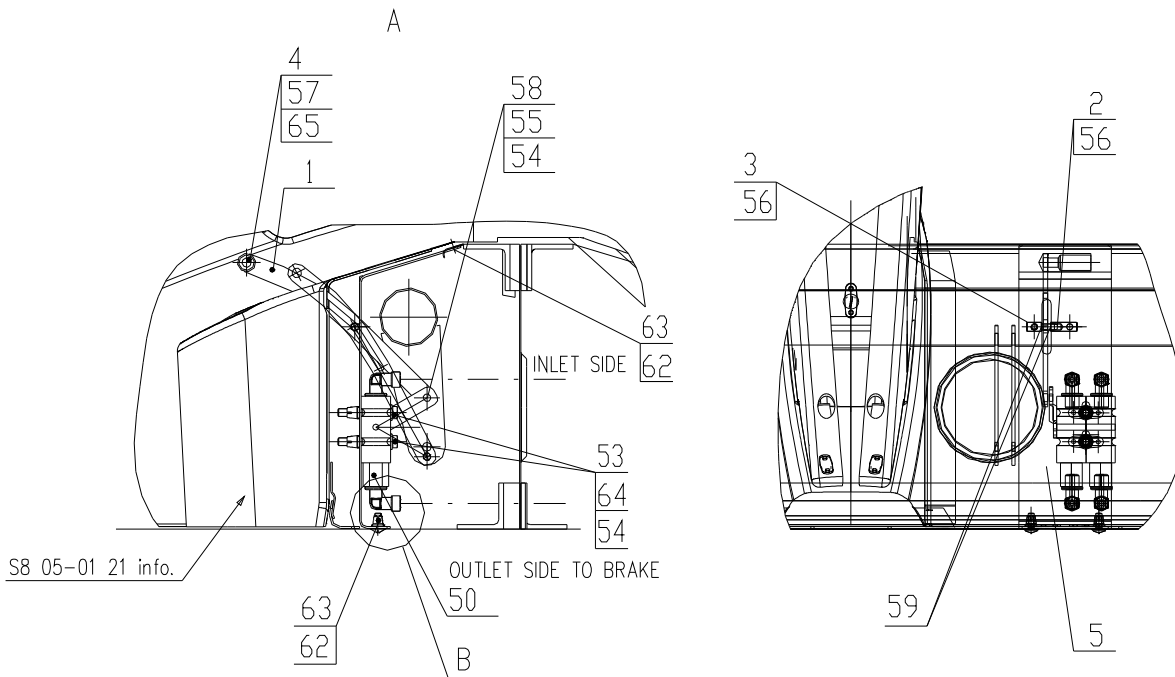
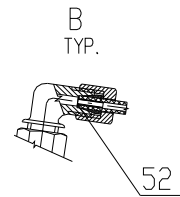
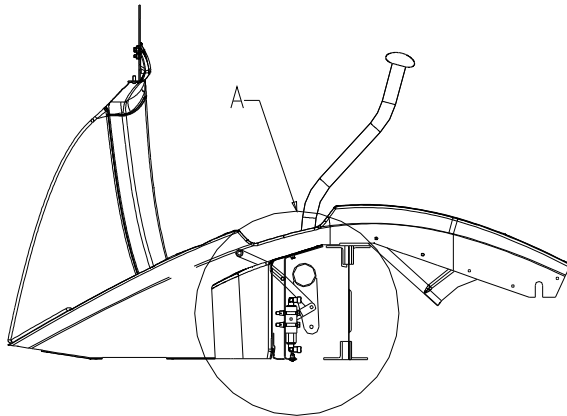
LANDING GEAR					
5.6 Pedal assy RH (S4 72-00 02)					
Pos.	Order number	Designation	Qty	Standard	Note
001	S4 72-01 02	Break body R	1		
002	S4 70-05 01	Right pedal - L	1		
003	S4 70-06 01	Rightt pedal - R	1		
004	E4 40-14 01	Double side brake pedal – L	1		
005	E4 40-14 02	Double side brake pedal - R	1		
006	E4 40-17 21	Tube	2		
007	S4 72-05 21	Latch	2		
008	S4 72-06 01	Lever - welded	2		
009	S4 72-09 21	Pedal's spring	2		
010	506324	Spring 1x9x25x10	2	CSN 02 6020.0	
020	018250	Screw 8x43	2	ONL 3120.14	
021	032253	Nut M8	2	ISO 7038	
022	038208	Washer 8.4	2	ISO 7089	
023	039310	Split pin 2x20	6	ISO 1234	
024	026701	Pin 4x20	2	AEN 3331.1	
025	038204	Washer 4.3	4	ISO 7089	
026	038800	Split pin 1x10	2	CSN 02 1781.04	



Intentionally Left Blank



	LANDING GEAR
	5.7 Parking brake





LANDING GEAR					
5.7 Parking brake					
Pos.	Order number	Designation	Qty	Standard	Note
001	S5 45-01 21	Lever	1		
002	S5 40-02 21	Housing	1		
003	S1 74-03 21	Axis	1		
004	S1 74-07 21	Fixture	2		
005	S5 45-02 21	Parking brake bracket	1		
050	S5 40-01 01	Parking brake valve MATCO	1		
052	047578	Rivet 2x8	4		
053	011009	Screw M5x35	2		
054	038193	Washer 5.3	3		
055	033855	Nut M5	3		
056	011886	Screw M4x10	2		
057	011004	Screw M6x16	1		
058	015990	Screw 5x14	1		
059	038213	Washer 4.3	2		
060	060337	Tightening strip	10		
061	060461	Self-adhesive clamp	8		
062	033601	Nut M4	3		
063	015982	Screw M4x12	4		
064	038180	Washer 5.3	4		
065	038695	Washer 6	1		
700	047590	Rivet 3.2x9.5	6		
900	096220	Loctite 243 glue	0.005		



Intentionally Left Blank

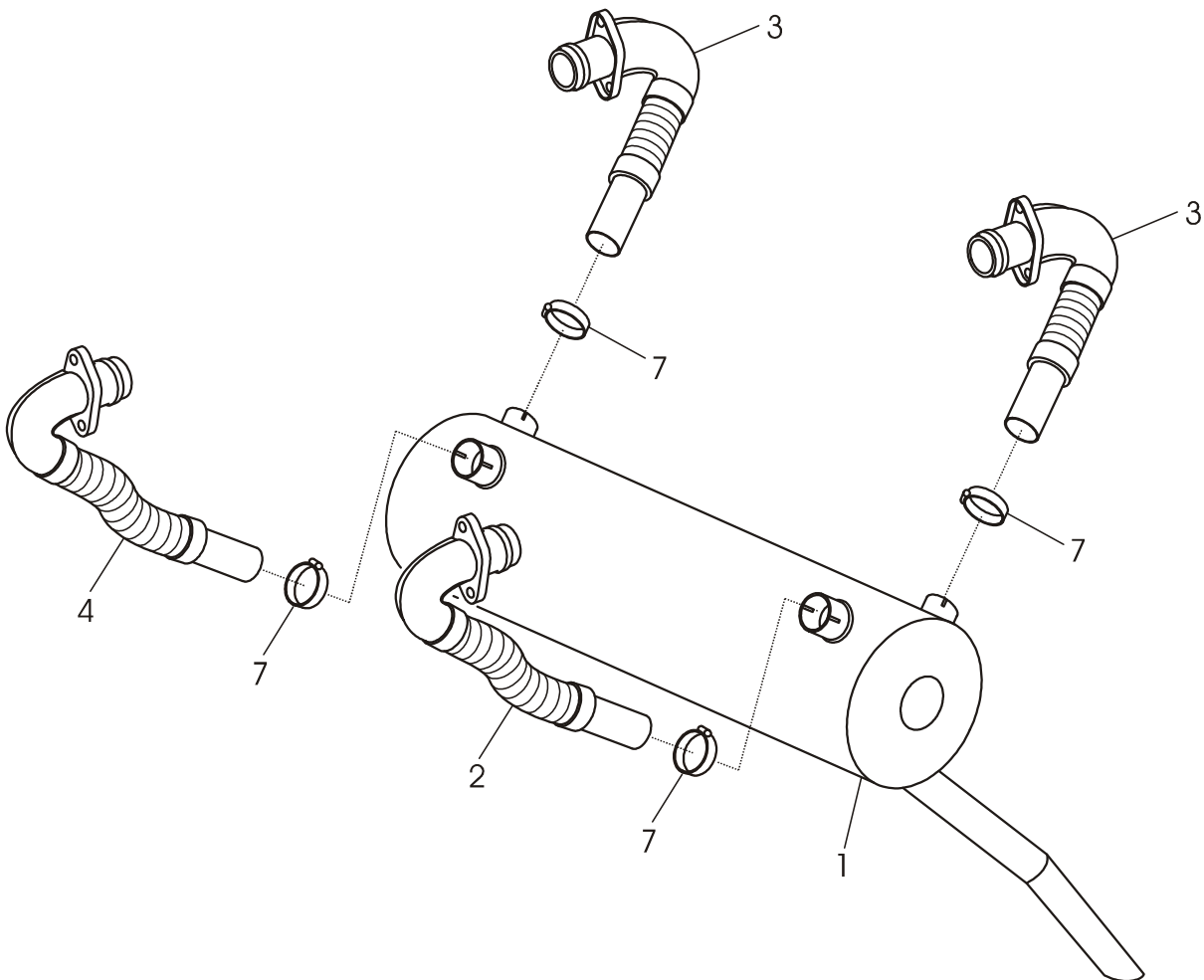
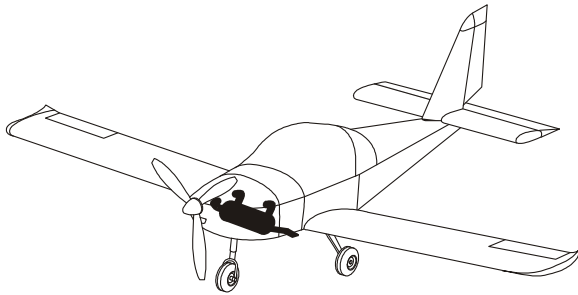


6 POWER UNIT



POWER UNIT

6.1 Exhaust system

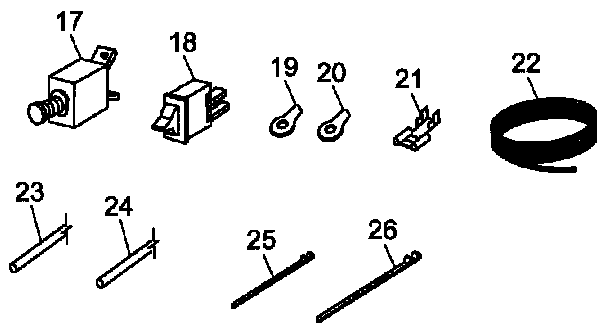
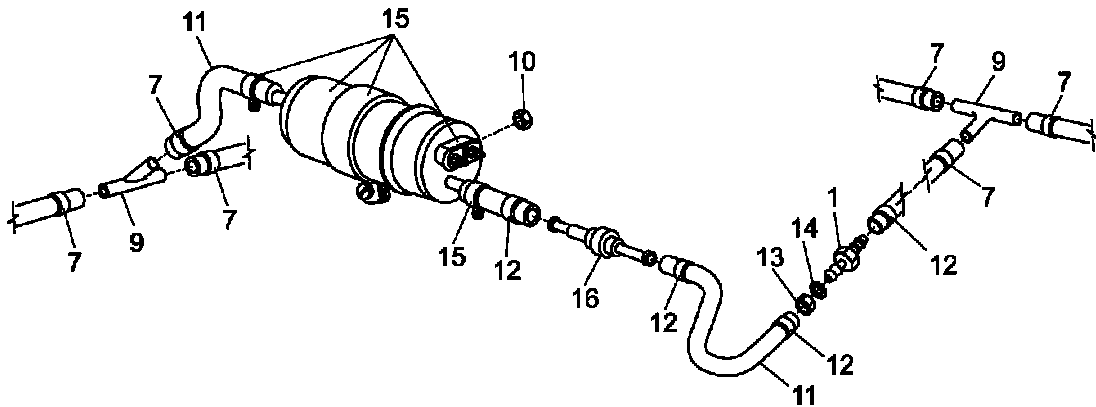
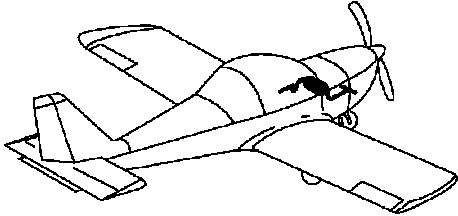




POWER UNIT					
6.1 Exhaust system (766520)					
Pos.	Order number	Designation	Qty	Standard	Note
001	766521	Exhaust muffler	1		
002	E6 18-00 01	Front exhaust - gas tube - LH	1		
003	E6 18-01 01	Rear exhaust	2		
004	E6 18-00 02	Front exhaust - gas tube - RH	1		
007	074350	Clamp	4	M8-33 (W4)	



	POWER UNIT
	6.2 Fuel pump



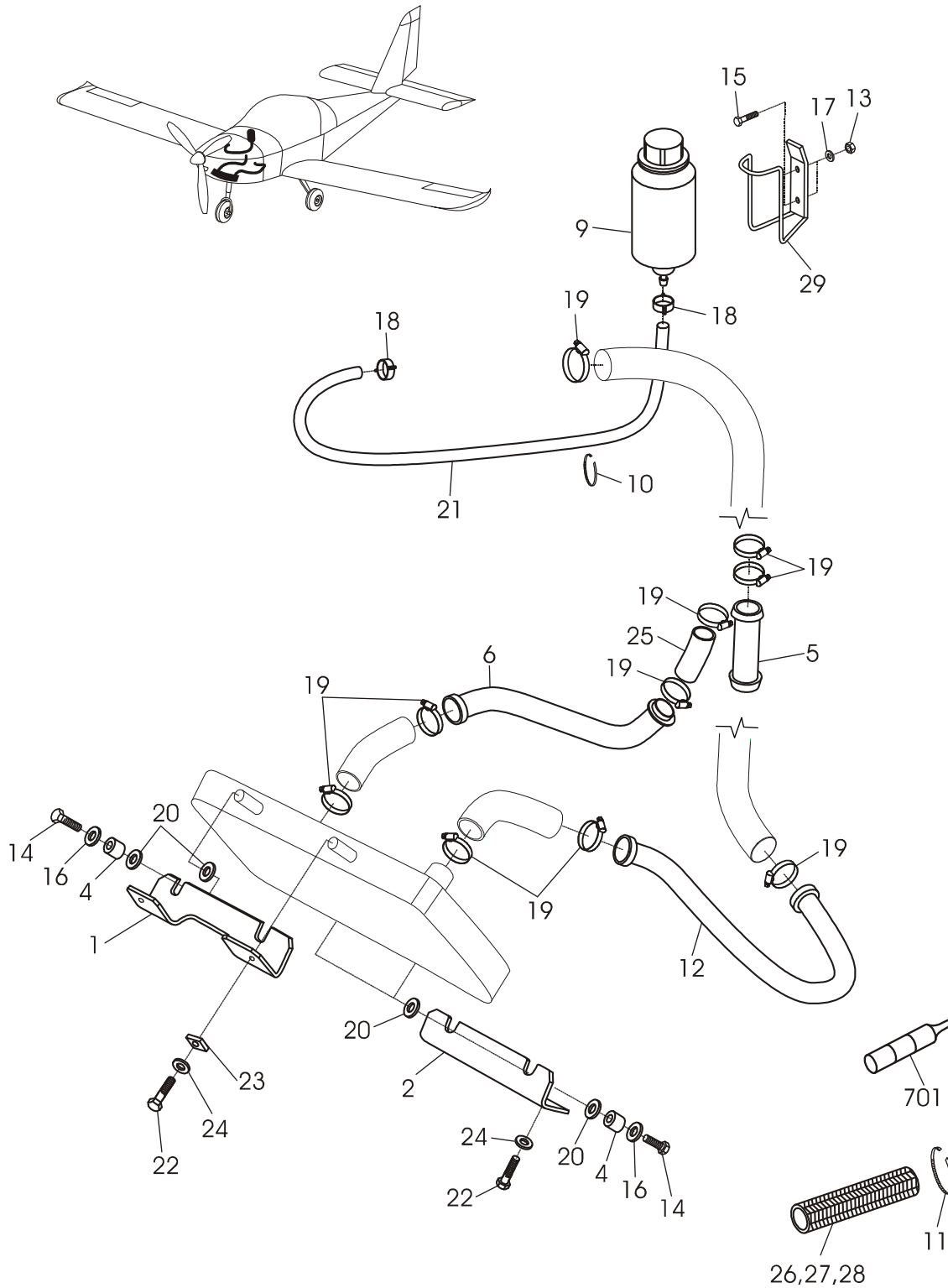


POWER UNIT					
6.2 Fuel pump (E6 00-70 01)					
Pos.	Order number	Designation	Qty	Standard	Note
001	766406	Bushing (in firewall)	1		
007	074506	Clip Cobra 11/7	6		
009	079878	Distributor MON 3501	2		
010	033860	Self locking nut M6	1	DIN 980 V	
011	056303	Hose for engine fuels FUB 386	1		1.00 m
012	074508	Clip Cobra 12/8	4		
013	031651	Nut M10	1	ISO 4035	
014	038225	Washer 10.5	1	ISO 7089	
015	750134	Fuel pump Pierburg 12V	1		
016	081836	Fuel one-way check valve	1		
017	739587	Circuit breaker 2TC2-3	1		
018	069110	Switch 1PDT	1	1811.1102	
019	739772	Cable eye	3		
020	739773	Cable eye	1		
021	068636	Faston 4.8	2	AWG22-16	
022	739681 (3.80m)	Wire AE22	1		
023	088086	Shrink hose RNF-3000	1	RHF-3000-3/1-0	
024	088087	Shrink hose RNF-3000	1	RHF-3000-6/2-0	
025	060332	Fastener band 2.5x98	10	PLT1M-C	
026	060333	Cable tie 3.6x142	5	PLT1.5I-C	



POWER UNIT

6.3 Water cooling



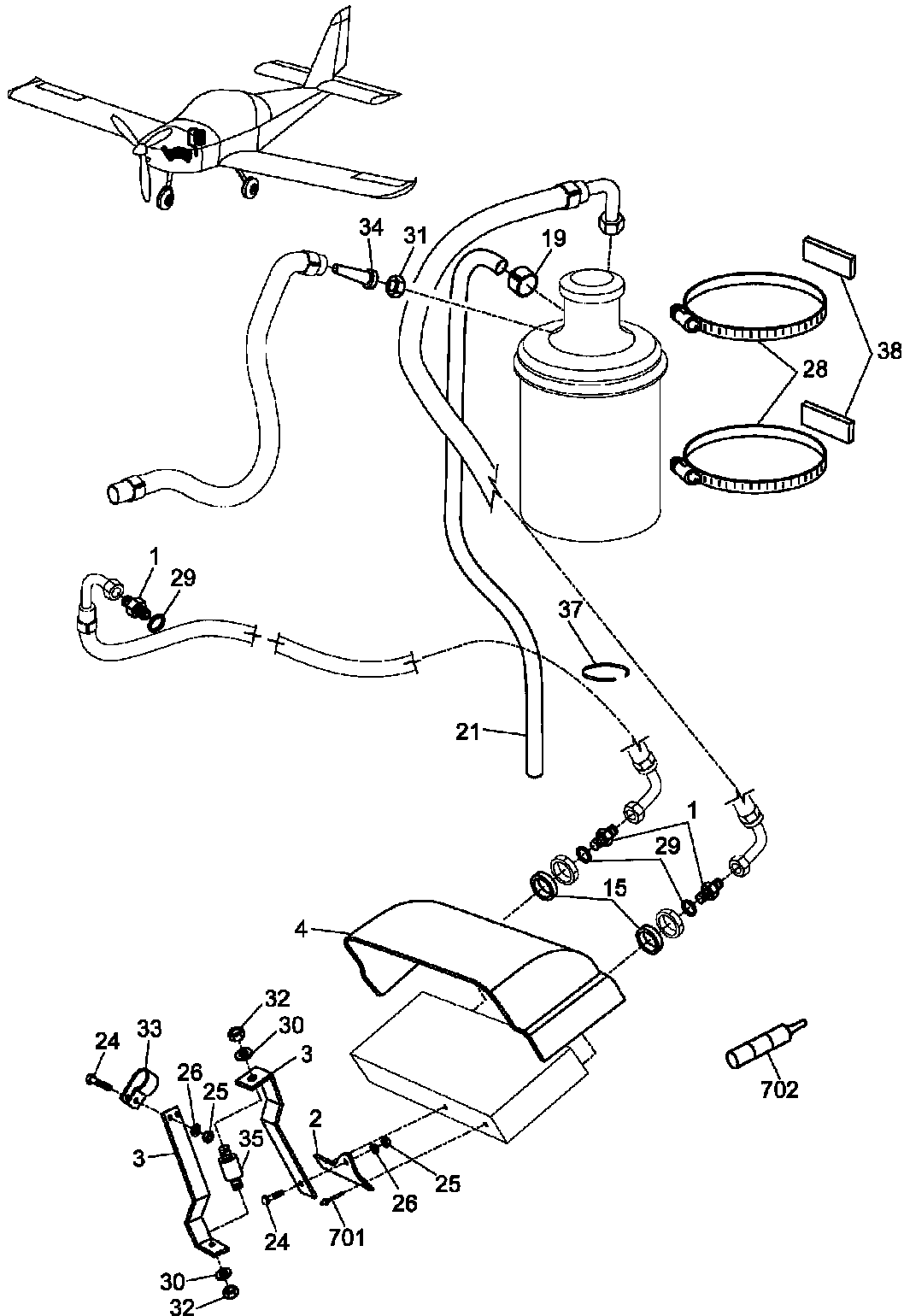


POWER UNIT					
6.3 Water cooling (S6 14-10 01)					
Pos.	Order number	Designation	Qty	Standard	Note
001	E6 55-57 01	Holder lower assembly	1		
002	S6 14-11 01	Holder upper assembly	1		
004	766556	Spacing tube	4		
005	766557	Connector	1		
006	E6 14-11 21	Tube RH	1		
009	E6 14-13 01	Expansion bottle	1		
010	060333	Cable tie 3.6x142	40	PLT1.5I-C	
011	060371	Fastener band 4.8x368	14		
012	E6 14-10 21	Tube LH	1		
013	035414	Nut M4	2	DIN 985	
014	E6 14-14 21	Screw	4		
015	004984	Screw M 4x8	2	ECO-FIX	
016	036747	Washer 6.4	4	ISO 7093	
017	038204	Washer 4.3	8	DIN 125A-8	
018	074508	Clip Cobra 12/8	2		
019	055620	Hose clip 20-32	10		
020	038225	Washer 10.5	8	DIN 125-1A	
021	056303	Hose for engine fuel FUB 386	1		0.60 m
022	004986	Screw M 4x16	4	ECO-FIX	
023	E6 14-12 21	Washer	4		
024	038237	Washer 3.7	4	DIN 125	
025	766045	Rubber hose for water cooler	1		0.30 m
026	056445	Hose Hilcoflex	1		0.80 m
027	056446	Hose Hilcoflex	1		0.60 m
028	056447	Hose Hilcoflex	1		0.20 m
029	766021	Bottle holder	1		
701	096243	Glue Loctite 406	1		



POWER UNIT

6.4 Oil installation R 912S



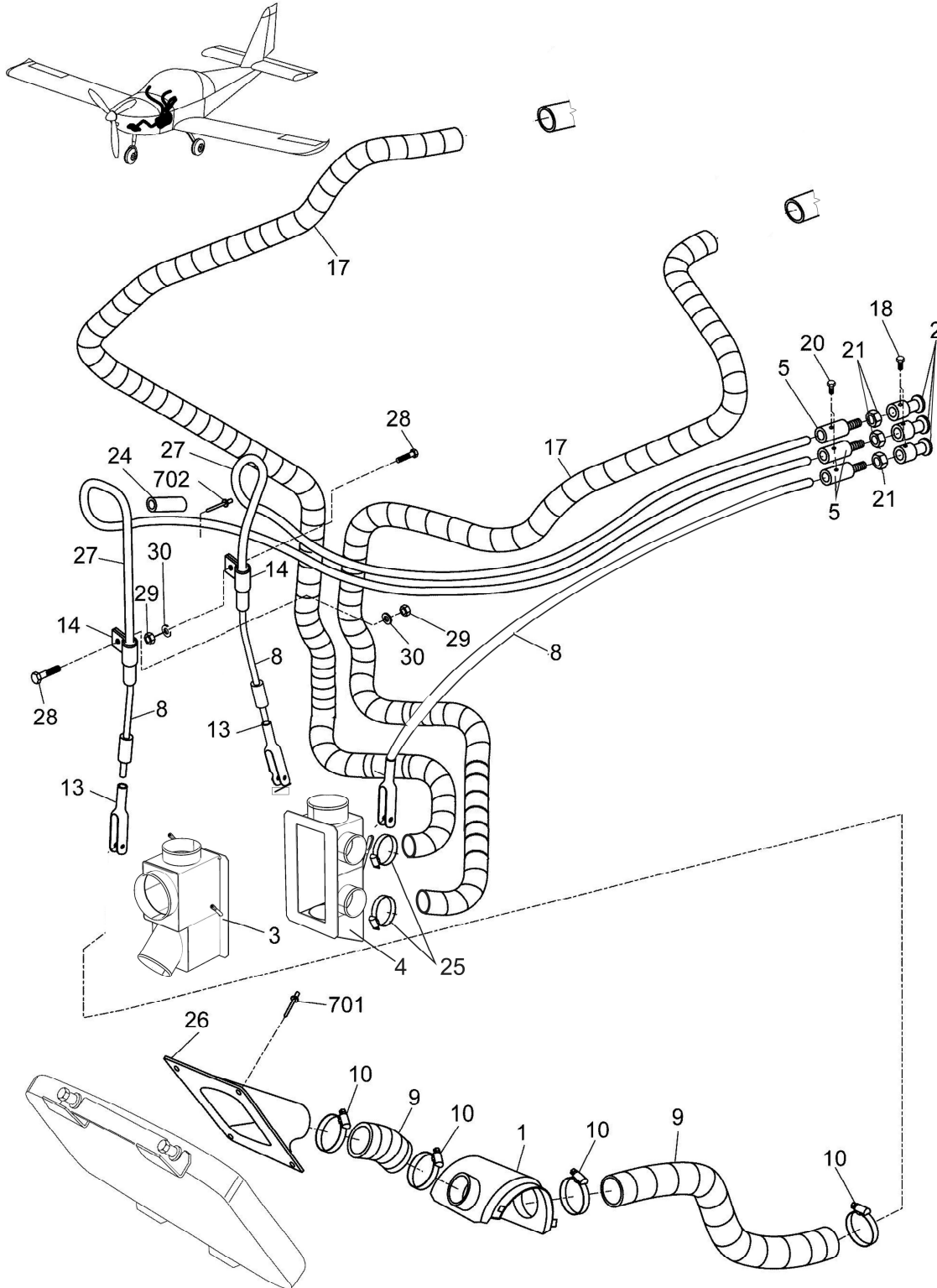


POWER UNIT					
6.4 Oil installation R 912S (S6 10-30 01)					
Pos.	Order number	Designation	Qty	Standard	Note
001	E6 10-06 21	Reduction 14-18	3		
002	S6 65-09 21	Cooler holder	1		
003	S6 65-07 21	Cooler strut	2		
004	E6 10-31 01	Oil cooler inlet	1		
015	E6 10-29 21	Washer	2		
019	074509	Clip Cobra 14/8	1		
021	056310 (0.50m)	Hose for engine fuels FUB 386	1		
024	001690	Screw M5x14	2	ISO 4017	
025	033855	Nut M5	2	DIN 980 V ISO 7042	
026	038193	Washer 5.3	2	ISO 7089 DIN 125 A	
028	051660	Clip Torro 140-160	2		
029	054100	Sealing ring 14x18	3	CSN 02 9310.3	
030	038206	Washer 6.4	2	ISO 7089 DIN 125 A	
031	052600	Nut M10	1	CSN 13 7952.41	
032	033860	Self locking nut M6	2	DIN 980 V ISO 7042	
033	059651	Clamp 1x16	1	AEN 4322.1	
034	051950	Sealing ring 10	1	CSN 13 7948	
035	796099	Shock mount	1		
037	060332	Fastener band 2.5x98	5		
038	085897	S1 rubber - oil proof	1		
701	047560	Rivet 3.2x7.9	2	AVEX 1691-0410	
702	096249	Glue Loctite 577	1		



POWER UNIT

6.5 Heating and windshield air blowing





POWER UNIT					
6.5 Heating + both sides windshield air blowing (S8 46-00 01)					
Pos.	Order number	Designation	Qty	Standard	Note
001	S8 45-01 01	Heat exchanger	1		
002	E6 13-05 21	Knob	3		
003	S8 43-01 01	Heat flap assy.	1		
004	S8 44-01 01	Closing flap	1		
005	768825	End piece	3		
007	E8 00-49 02	Angle bar	1		
008	E8 00-49 01	Rod set	3		
009	056473	Airhose Flexadur VMX-2LH	1		
010	055621	Torro clamp 50-70/9	4	50-70/9-C7W1	
013	768050	Fork	3		
014	E8 00-49 02	Angle bar	2		
017	056497	Airhose Flexadur CRX-2LH	1		4.0 m
018	011900	Screw M3x4	3	ISO 4026 DIN 913	
020	011920	Screw M4x4	3	ISO 4027	
021	033860	Nut M6	3	DIN 980 V	
024	083960	Short tube 8 x 1	1		0.06 m
025	055615	Torro clamp 35-50/9	2		
026	766069	Air inlet	1		
027	059275	Bowden hose			4.5 m
028	001336	Screw M4x16	4	ISO 4017	
029	033850	Nut M4	4	ISO 7042	
030	038204	Washer 4.3	4	ISO 7089	
701	047554	Rivet 3.2 x 6.4	23	BE61-0408	
702	047558	Rivet 3.2 x 8.7	2	BE61-0411	



Intentionally Left Blank

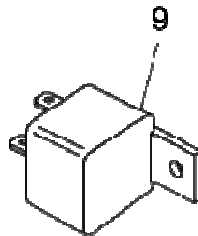
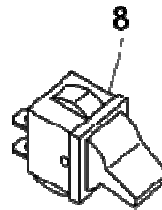
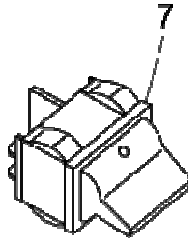
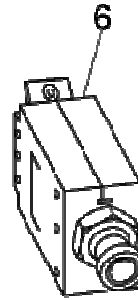


7 INSTALLATION



INSTALLATION

7.1 Electrical system



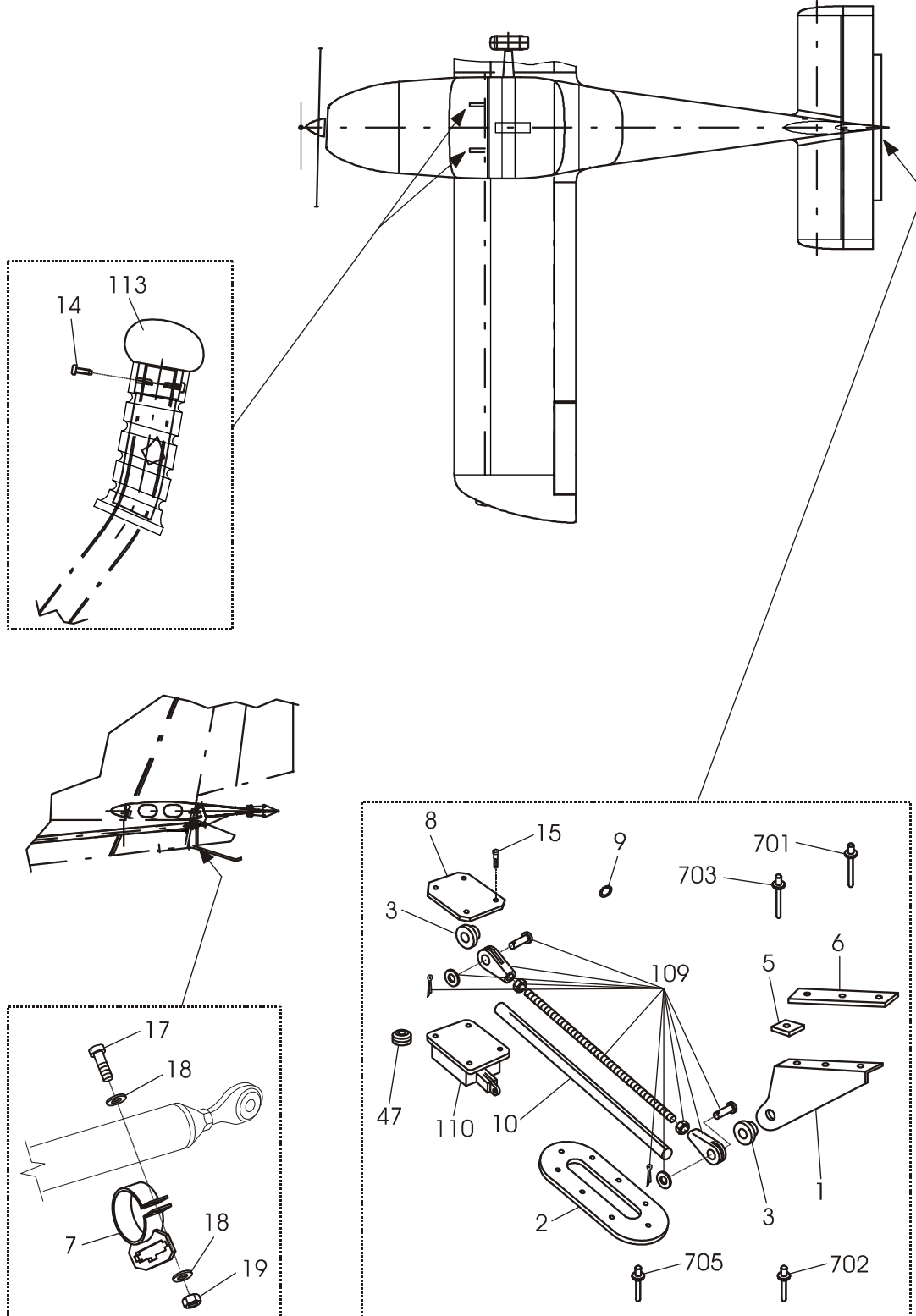


INSTALLATION					
7.1 Electrical system (E7 68-01 01)					
Pos.	Order number	Designation	Qty	Standard	Note
001	739585	Circuit breaker 1A	-	MS3320	
002	070557	Lamp 12V, 2W	-		
006	739590	Circuit breaker 30A	-		
007	069115	Master switch 2PDT	-		
008	069110	Switch 1PDT	-	1811.1102	
009	069674	Relay 12V/30A	-		



INSTALLATION

7.2 Electric trim tab control



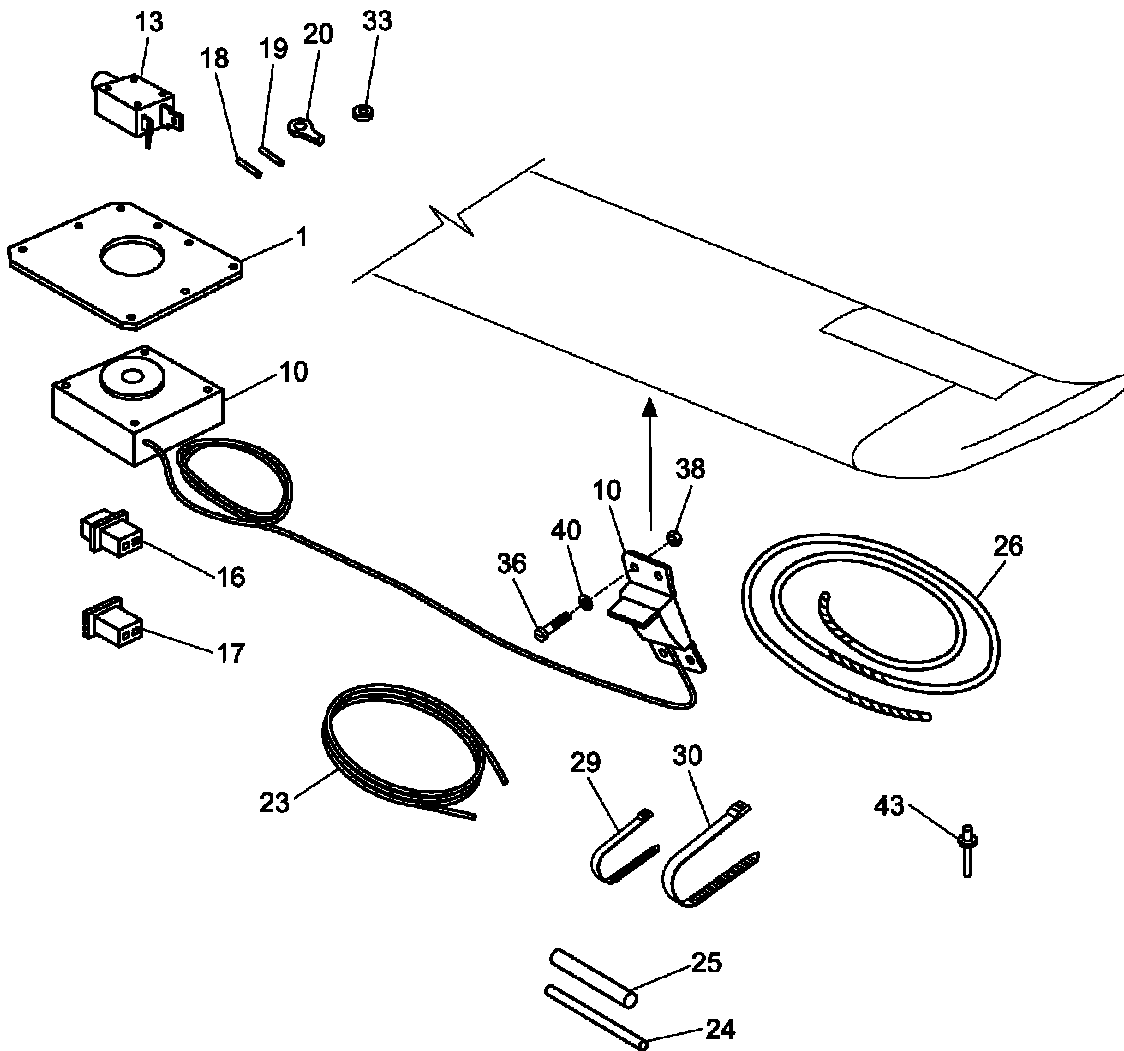
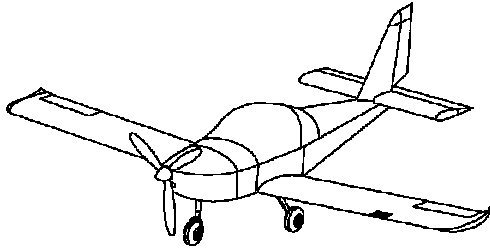


INSTALLATION					
7.2 Electric trim tab control (S3 03-40 01)					
Pos.	Order number	Designation	Qty	Standard	Note
001	E3 03-29 21	Trim tab bracket	1		
002	E3 03-37 21	Rubber rim	1		
003	E3 03-38 21	Bushing	2		
005	E3 03-15 21	Pad	1		
006	S3 03-28 21	Pad	1		
007	E3 03-30 01	Sleeve	1		
008	E3 03-33 21	Cover	1		
009	E3 03-34 21	Gland	1		
010	E3 03-36 21	Tube	1		
014	001825	Screw M3x10	4	DIN 7516A-8.8-A2F	
015	011885	Screw M3x10	4	ISO 7045	
017	004997	Screw M4x16	1	ISO 1207	
018	038204	Washer 4.3	2	DIN 125A-8	
019	033850	Nut M4	1	ISO 7089	
047	076806	Bushing 4.5x2	1	CSN 63 3881.3	
109	078385	Trim installation kit	1		
110	078383	Trim servo	1		
113	078373	Grip G205	2		
701	047560	Rivet 3.2x7.9	4	AVEX 1691-0410	
702	047565	Rivet 3.2x11.1	2	1691-0414	
703	043549	Rivet 3.5x9	3	CSN 02 2302.5	
705	047556	Blind rivet 3.0x6.7	8	AVEX 1691-5307	



INSTALLATION

7.3 Stall warning system



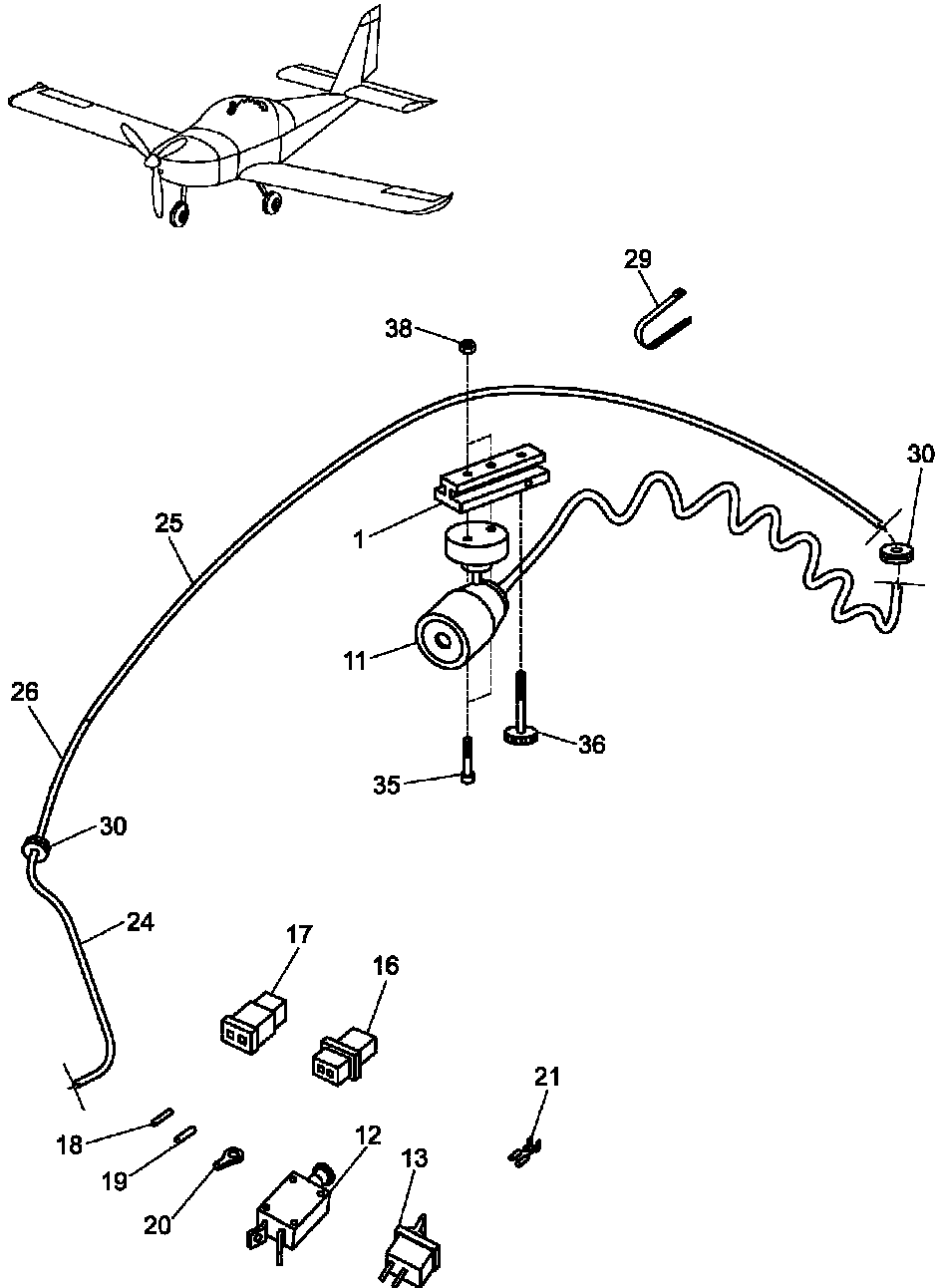


INSTALLATION					
7.3 Stall warning system (E7 48-01 01)					
Pos.	Order number	Designation	Qty	Standard	Note
001	E8 03-08 21	Bracket	1		
010	080105	Lift detector	1		
013	739585	Circuit breaker 2TC2-1	1		
016	068640	Socket housing 2pos	2		
017	068641	Pin housing 2pos	2		
018	068646	Tube (AWG22-18)	4		
019	068648	Pin (AWG22-18)	4		
020	739772	Cable eye	2		
023	739681	Wire AE22	1		
024	088086	Shrink hose RNF-3000-3/1-0	1		
025	088087	Shrink hose RNF-3000-6/2-0	1		
026	088022	Hose	1		
029	060332	Fastener band 2.5x99	15	PLT1M-C	
030	060333	Cable tie 3.6x142	6	PLT1.5I-C	
033	076800	Bushing 3.5x1	1		
036	012600	Screw M3x12	4		
038	035425	Nut M3	4	9408-D3020	
040	038198	Washer 3.2	4	ISO 7089	
043	047560	Rivet 3.2x7.9	6	AVEX 1691-0410	



INSTALLATION

7.4 Cockpit lighting for Koger sunshade





INSTALLATION

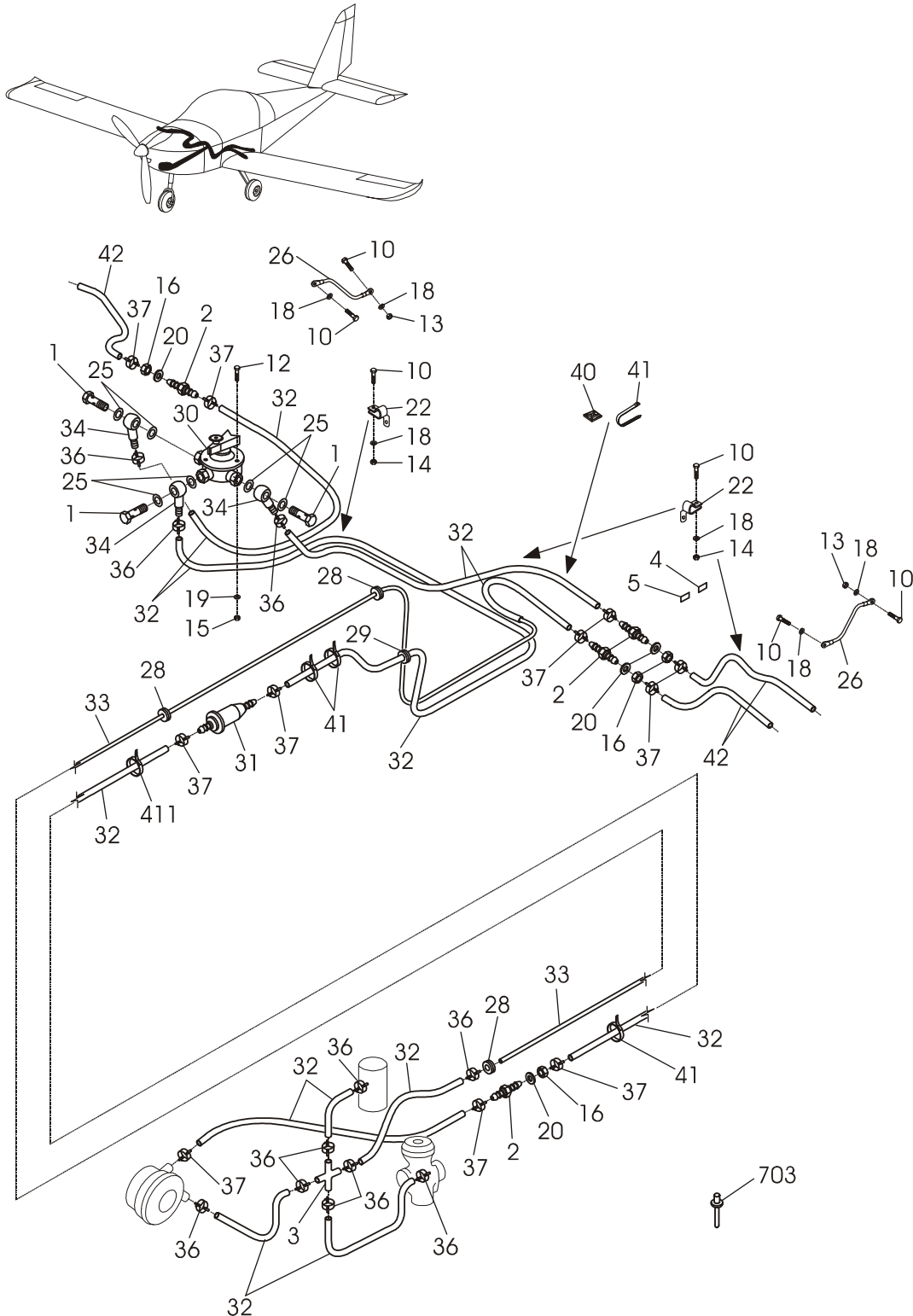
7.4 Cockpit lighting for Koger sunshade (S7 99-61 01)

Pos.	Order number	Designation	Qty	Standard	Note
001	S7 99-62 21	Guide	1		
011	738569	Interior lamp	1		
012	739585	Circuit breaker 2TC2-1	1		
013	069110	Switch 1PDT	1	1811.1102	
016	068640	Socket housing 2pos	1		
017	068641	Pin housing 2pos	1		
018	068646	Tube (AWG22-18)	2		
019	068648	Pin (AWG22-18)	2		
020	739772	Cable eye	2		
021	068636	Faston 4.8 (AWG22-16)	2		
024	739681	Wire AE22	1		9.8 m
025	122110	Heat shrink tube HFT-333	1		4 m
026	088087	Heat shrink tube HFT-333	1		0.2 m
029	060332	Fastener band 2.5x98	23	PLT1M-C	
030	076800	Bushing 3.5x1	2		
035	011797	Screw M3x16	2	DIN 912	
036	011751	Screw M3x20	1	DIN 653	
038	035425	Nut M 3	2	9408 D3020	



INSTALLATION

7.5 Fuel system installation





INSTALLATION					
7.5 Fuel system installation (S6 00-71 01)					
Pos.	Order number	Designation	Qty	Standard	Note
001	S6 70-01 21	Fitting	3		
002	766406	Bushing	5		
003	E6 60-63 01	Branch with nozzle	1		
004	S6 70-02 21	Placard – Suction	4		
005	S6 70-03 21	Placard – Return	4		
010	001691	Screw M4x10	30	ISO 4017	
012	009811	Screw M5x16	3	ISO 7046-2	
013	035410	Nut M4	2	9408-2415	
014	033850	Nut M4	28	DIN 980 V	
015	033855	Nut M5	3	DIN 980 V	
016	031651	Nut M10	5	ISO 4035	
018	038204	Washer 4.3	34	DIN 125A-8	
019	038193	Washer 5.3	3	DIN 125-1	
020	038225	Washer 10.5	5	ISO 7089	
022	079614	Loop 1x12	13	AEN 3488.2	
025	054100	Sealing ring 14x18	6	CSN 02 9310.3	
026	057900	Bonding jumpers 3-150	2	ONL 6669.01	
028	076815	Bush 7x1	3	CSN 63 3881.3	
029	076955	Bush 13x2	1	CSN 63 3881.3	
030	080602	Fuel cock	1	FS22D2-F-PD	
031	766415	Oil hose	1	H102WK	
032	056303	Fuel hose	1	ISO 4639-1	13m
033	156272	Tube 6x1	1		
034	050272	Fitting	3		
036	074506	Clip Cobra 11/7	14		
037	074508	Clip Cobra 12/8	14		
040	060461	Self-adhesive clamp	10		
041	060333	Cable tie 3.6x142	30	PLT1.5I-C	
042	079876	Protection spiral 10x1	2	SBX-10-E	
703	047590	Rivet 3.2x9.5	14	AVEX 1604-0412	



Intentionally Left Blank

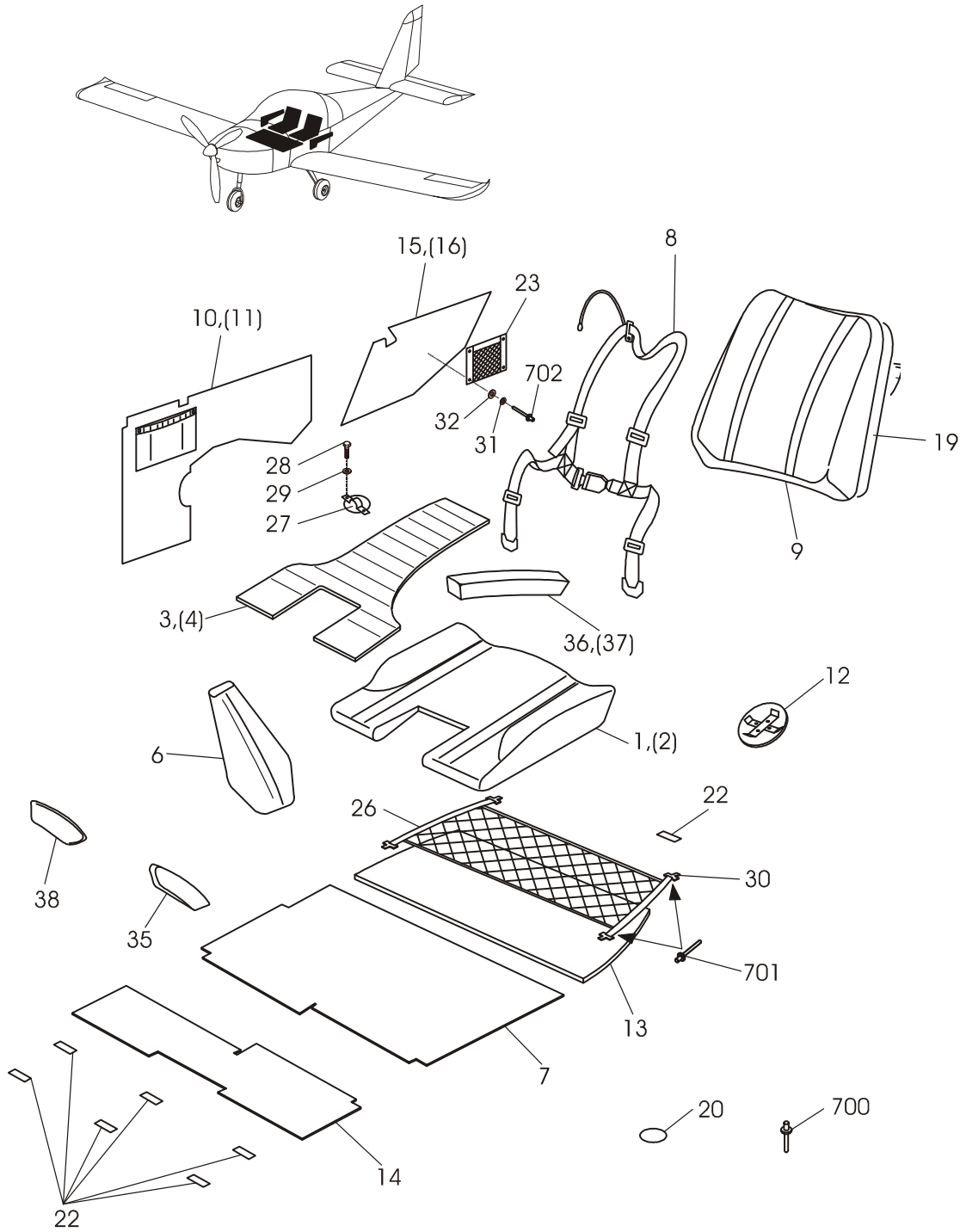


8 COCKPIT EQUIPMENT



COCKPIT EQUIPMENT

8.1 Cockpit equipment





COCKPIT EQUIPMENT					
8.1 Cockpit equipment (S8 00-21 01)					
Pos.	Order number	Designation	Qty	Standard	Note
001	E8 59-52 01	Bucket seat-squab LH	1		
002	E8 59-52 02	Bucket seat-squab RH	1		
003	E8 50-53 01	Bucket seat-bolster LH	1		
004	E8 50-53 02	Bucket seat-bolster RH	1		
005	S8 01-12 21	Rest seat plate	2		Not shown
006	E8 01-13 01	Control stick sleeve	2		
007	S8 11-15 21	Floor carpet	1		
008	S8 02-20 01	Four-points belts – SL	2		
009	E8 59-51 01	Bucket seat-supporting rest	2		
010	S8 11-00 01	Baffle assembly LH	1		
011	S8 11-00 02	Baffle assembly RH	1		
013	S8 03-04 21	Baggage compartment carpet	1		
015	S8 01-07 01	Baffle assembly LH	1		
016	S8 01-07 02	Baffle assembly RH	1		
019	S8 01-10 01	Support covering sheet	1		
020	S8 03-05 21	Gland	4		
021	761375	CAPPING STRIP – ASSEMBLY	1		
022	086598	Velcro fastener	1		14.8m
023	720077	Frame with net – small	2		
026	087788	Baggage compartment net	2		
027	087936	Plastic double hook	2		
028	004450	Bolt M 5x25	2	CSN 02 1131.24	
029	038193	Washer 5.3	2	ISO 7089	
030	087935	Ring GMI 1510	4		
031	038204	Washer 4.3	8	ISO 7089	
032	038690	Upholstering washer 5	8		
035	S1 55-73 01	Handle	1		
036	S1 66-70 01	Elbow board LH	1		
037	S1 66-70 02	Elbow board RH	1		

**COCKPIT EQUIPMENT****8.1 Cockpit equipment (S8 00-21 01)**

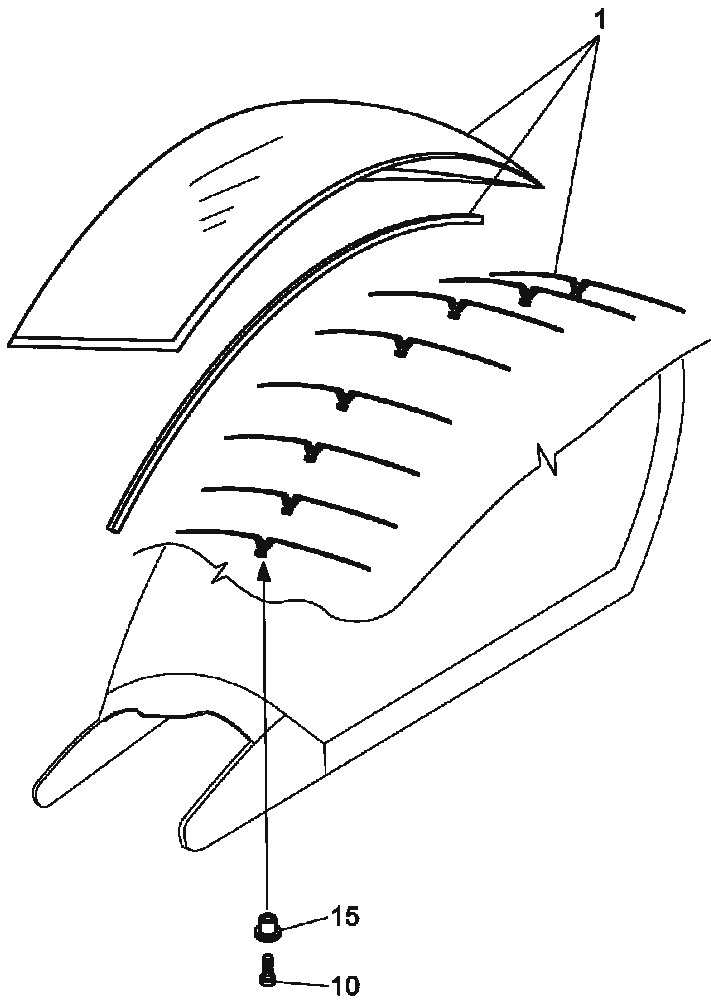
Pos.	Order number	Designation	Qty	Standard	Note
038	S1 55-73 02	Handle	1		
701	047569	Blind rivet 4.0x9.5	4	AVEX 1691-0512	
702	047570	Blind rivet 4.0x12.7	8	AVEX 1691-0516	



Intentionally Left Blank



	COCKPIT EQUIPMENT
	8.2 Koger sunshade





COCKPIT EQUIPMENT					
8.2 Koger sunshade					
Pos.	Order number	Designation	Qty	Standard	Note
001	087102	Koger sunshade	1		
010	009813	Screw M3x12	5	ISO 7046-1	
015	035409	Nut M3	5	9408-2314	



	OPTIONAL EQUIPMENT
	8.3 Ground equipment (S9 00-03 01)

This chapter is without picture.



OPTIONAL EQUIPMENT					
8.3 Ground equipment (S9 00-02 01)					
Pos.	Order number	Designation	Qty	Standard	Note
001	E9 60-00 01	Canopy cover – wide	1		
002	769105	Sleeve for equipment	2		
004	729151	Fixing strap – assy.	3		
006	901720	Ground anchor	3		
009	088464	Briefcase	1		
010	S9 05-00 01	Tow bar	1		
020	S0 00-15 01S	Spare connecting parts	1 set		see table 9.2
031	769002	Valve extension	1		for front tire
036	S9 01-10 01	Pitot tube cover	1		



	OPTIONAL EQUIPMENT
	8.4 Spare connecting parts (S0 00-15 01S)

This chapter is without picture.



OPTIONAL EQUIPMENT					
8.4 Spare connecting parts (S0 00-15 01S)					
Pos.	Order number	Designation	Qty	Standard	Note
005	17416	Bolt M 4x12	10		engine cowling, wing to fuselage fairing
010	51655	Bolt M 4x12 (flush head)	10		removable upper cover in front of cockpit
016	16324	Ring 4x2	1		double hydraulic brake pump
017	16326	Ring - O 7.3x2.4	1		double hydraulic brake pump
018	16327	Ring 11.3x2.4	1		double hydraulic brake pump
019	16325	Ring 5.6x2.4	1		double hydraulic brake pump
020	51656	Bolt M 4x16	15		to fix main wheel pants
021	3070	Nut M 6	4	CSN 02 1413.44	flight control, rudder attachment
022	3071	Nut M 8	2	CSN 02 1413.44	to fix main landing gear leg
023	3088	Nut M 4	4	DIN 980 V	flight control
024	7494	Nut M 5	4	DIN 980 V	flight control
025	3089	Self-locking nut M6	6	DIN 980 8-V	flight control
026	6812	Washer 4.3	4	DIN 125A-8	under appropriate nut
027	44870	Washer 5.3	2		under appropriate nut
028	6813	Washer 6.4	6	DIN 125-8-A2F	under appropriate nut
029	6814	Washer 8.4	4	CSN 02 1702.15	under appropriate nut
030	3183	Split pin 1x12	2	CSN 02 1781.05	to lock rudder nut
031	8531	Cotter pin 1.6x20	8		to lock flight control elements
005	001828	Bolt M 4x12	10		engine cowling, wing to fuselage fairing
010	004985	Bolt M 4x12 (flush head)	10		removable upper cover in front of cockpit
016	059289	O-Ring 4x2	1		double hydraulic brake pump
017	059292	Ring - O 7.3x2.4	1		double hydraulic brake pump



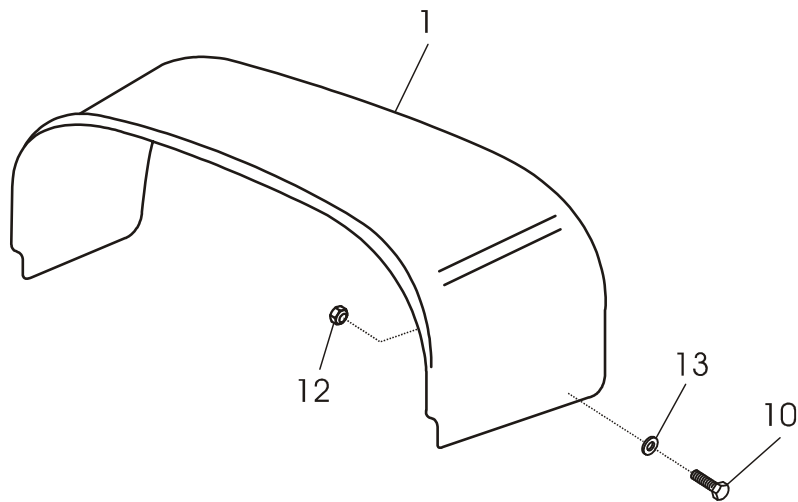
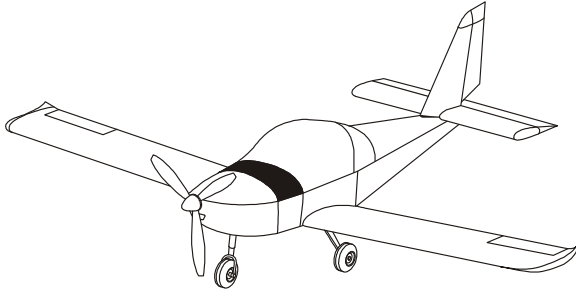
OPTIONAL EQUIPMENT					
8.4 Spare connecting parts (S0 00-15 01S)					
Pos.	Order number	Designation	Qty	Standard	Note
018	059294	Ring 11.3x2.4	1		double hydraulic brake pump
019	059290	Ring 5.6x2.4	1		double hydraulic brake pump
020	004986	Bolt M 4x16	15		to fix main wheel pants
021	032300	Nut M6	4	CSN 02 1413.44	flight control, rudder attachment
022	032350	Nut M8	2	CSN 02 1413.44	to fix main landing gear leg
023	033850	Nut M4	4	ISO 7042	flight control
024	033855	Nut M5	4	ISO 7042	flight control
025	033860	Self-locking nut M6	6	ISO 7042	flight control
026	038204	Washer 4.3	4	ISO 7089	under appropriate nut
027	038193	Washer 5.3	2		under appropriate nut
028	038206	Washer 6.4	6	ISO 7089	under appropriate nut
029	038208	Washer 8.4	4	ISO 7089	under appropriate nut
030	038850	Split pin 1x12	2	CSN 02 1781.05	to lock rudder nut
031	039100	Cotter pin 1.6x20	8	CSN 02 1781.05	to lock flight control elements
032	039310	Split pin 2x20	6	ISO 1234	to lock stabilizer and main landing gear leg attachment
033	039729	Cotter pin 2.5x25	2	ISO 1234	to lock front landing gear leg
038	040351	Cotter pin 4x40	3	ISO 1234	to lock wheel nuts
058	038237	WASHER 3.7	25	ISO 7089	
059	038126	Washer 6.4	4	DIN 463	to lock nuts of the flight control elements
064	002132	Screw M 8x12	3	ISO 4017	to fix brake disc
074	038241	Washer 8.4	3	DIN 463	to lock brake disc bolts
079	086381	Safety pin 1.5	3	1.4310	to lock wing suspension pins
080	053822	Cuff U 11x3x4.5	2	RUBENA 33769	hydraulic brake pump
084	059298	Ring - O 20x1.5	2		hydraulic brake pump



Intentionally Left Blank



	OPTIONAL EQUIPMENT
	8.5 Instrument board shelter for NVFR





OPTIONAL EQUIPMENT					
8.5 Instrument board shelter for NVFR (S1 82-01 01)					
Pos.	Order number	Designation	Qty	Standard	Note
001	S1 66-71 01	Shade	1		
010	008551	Screw M3x16	6	ISO 1580	
012	035425	Nut M3	6	9408-D3020	
013	038203	Washer 3.2	6	ISO 7089	



Intentionally Left Blank